



US00D418237S

United States Patent [19]

Yuen

[11] Patent Number: Des. 418,237

[45] Date of Patent: ** Dec. 28, 1999

[54] **MULTI-FUNCTION FLUORESCENT LANTERN**

[75] Inventor: **John Se-Kit Yuen**, Kowloon, The Hong Kong Special Administrative Region of the People's Republic of China

[73] Assignee: **John Manufacturing Limited**, Kowloon, The Hong Kong Special Administrative Region of the People's Republic of China

[**] Term: **14 Years**

[21] Appl. No.: **29/090,249**

[22] Filed: **Jul. 2, 1998**

[30] **Foreign Application Priority Data**

Jan. 6, 1998 [GB] United Kingdom 2071491

[51] **LOC (6) Cl.** **26-02**

[52] **U.S. Cl.** **D26/42**

[58] **Field of Search** D26/37-50; 362/157, 362/158, 183-208

[56] **References Cited**

U.S. PATENT DOCUMENTS

- D. 290,516 6/1987 Zin D26/42
- D. 335,715 5/1993 Wan D26/42
- D. 336,532 6/1993 Chi-Wing D26/42

- D. 363,563 10/1995 Yuen D26/42
- D. 364,936 12/1995 Zeung D26/42
- D. 368,784 4/1996 Yuen D26/42
- D. 375,374 11/1996 Yuen D26/42
- D. 377,173 1/1997 Yuen D26/42
- D. 378,142 2/1997 Zam D26/42
- D. 391,656 3/1998 Wan D26/42
- D. 392,062 3/1998 Wan D26/42

Primary Examiner—Marcus A. Jackson
Attorney, Agent, or Firm—Fay, Sharpe, Beall, Fagan, Minnich & McKee

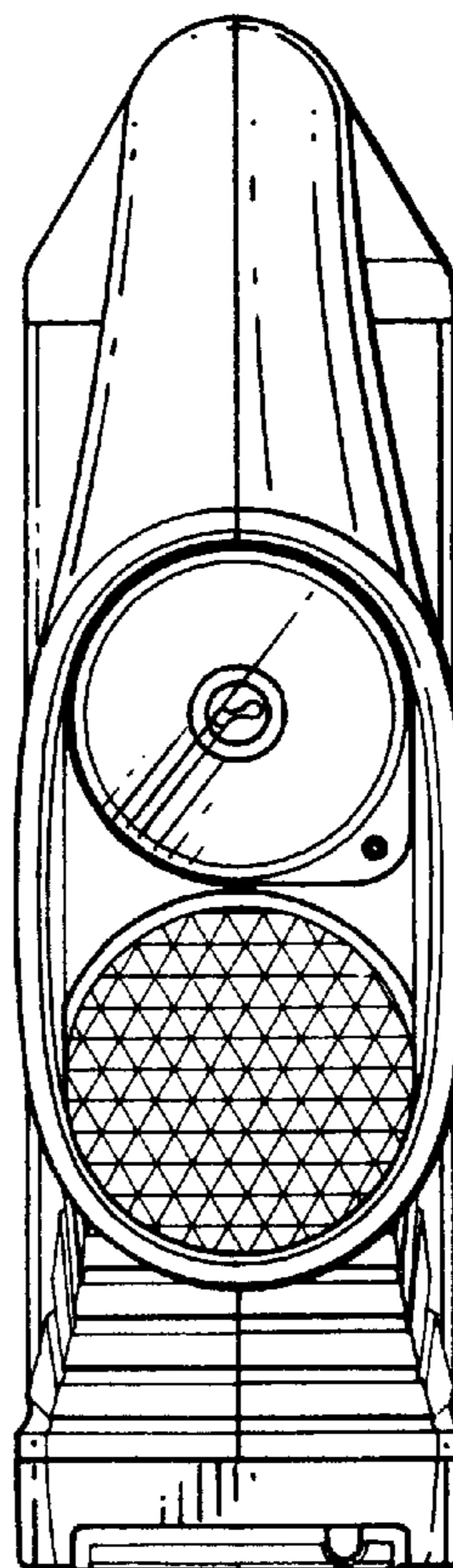
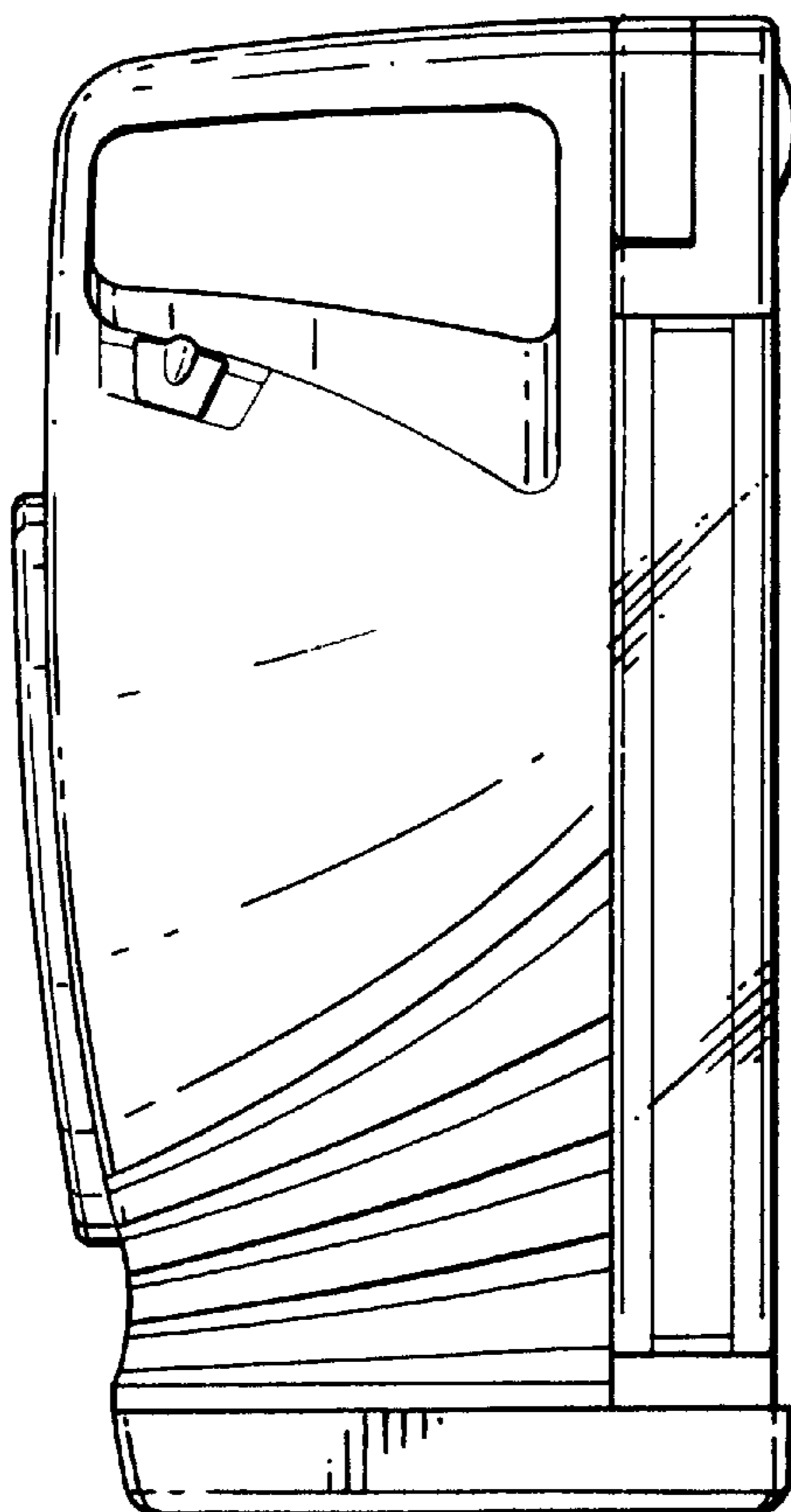
[57] **CLAIM**

The ornamental design for a multi-function fluorescent lantern, as shown and described.

DESCRIPTION

FIG. 1 is a front elevational view of a multi-function fluorescent lantern showing my new design; FIG. 2 is a left side elevational view thereof; FIG. 3 is a rear elevational view thereof; FIG. 4 is a right side elevational view thereof; FIG. 5 is a top plan view thereof; FIG. 6 is a bottom plan view thereof; FIG. 7 is a right side elevational view showing fluorescent tube in alternative positions thereof; and, FIG. 8 is a left side elevational view showing lens in an alternative position thereof.

1 Claim, 3 Drawing Sheets



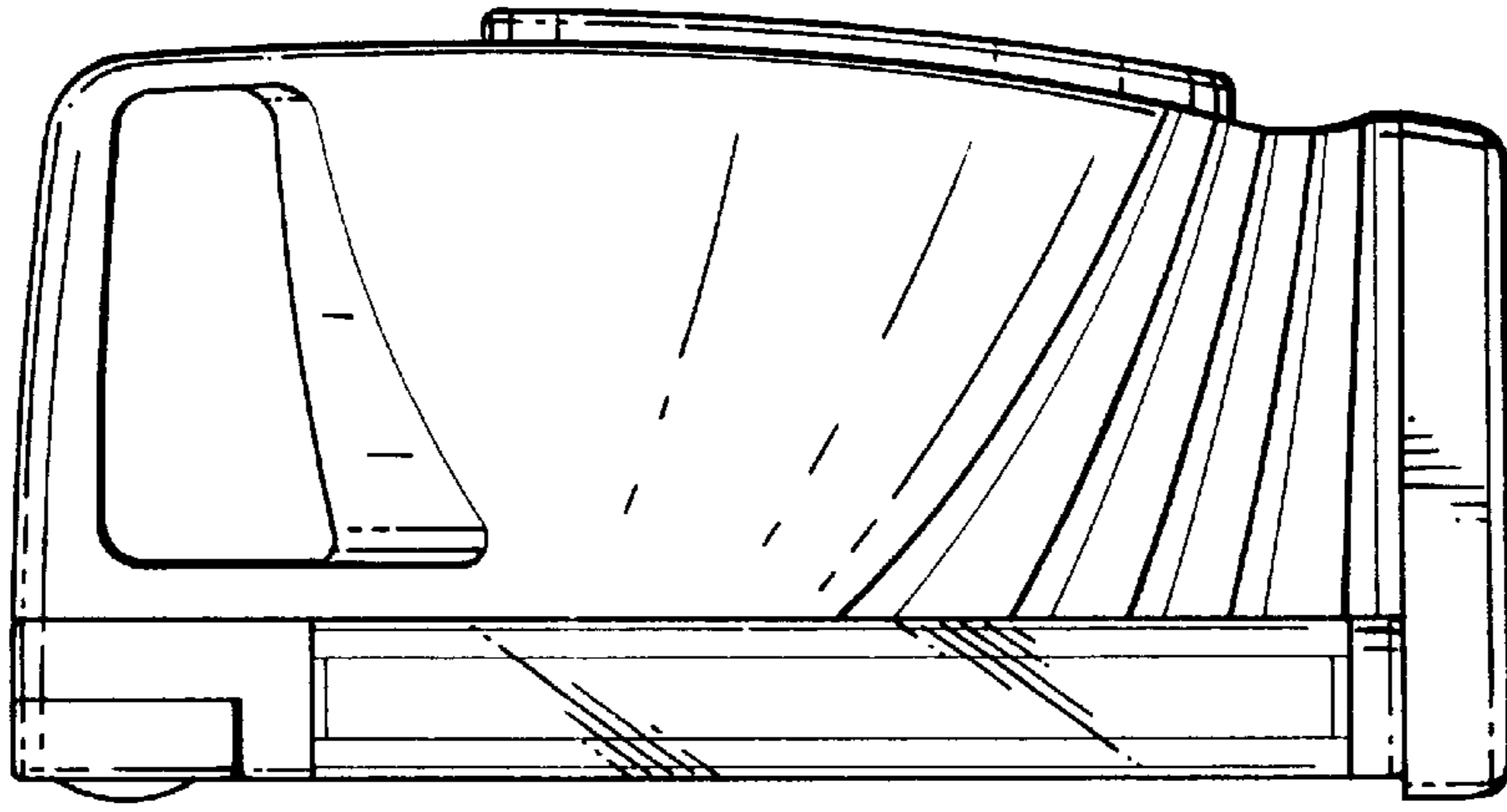


FIG. 1

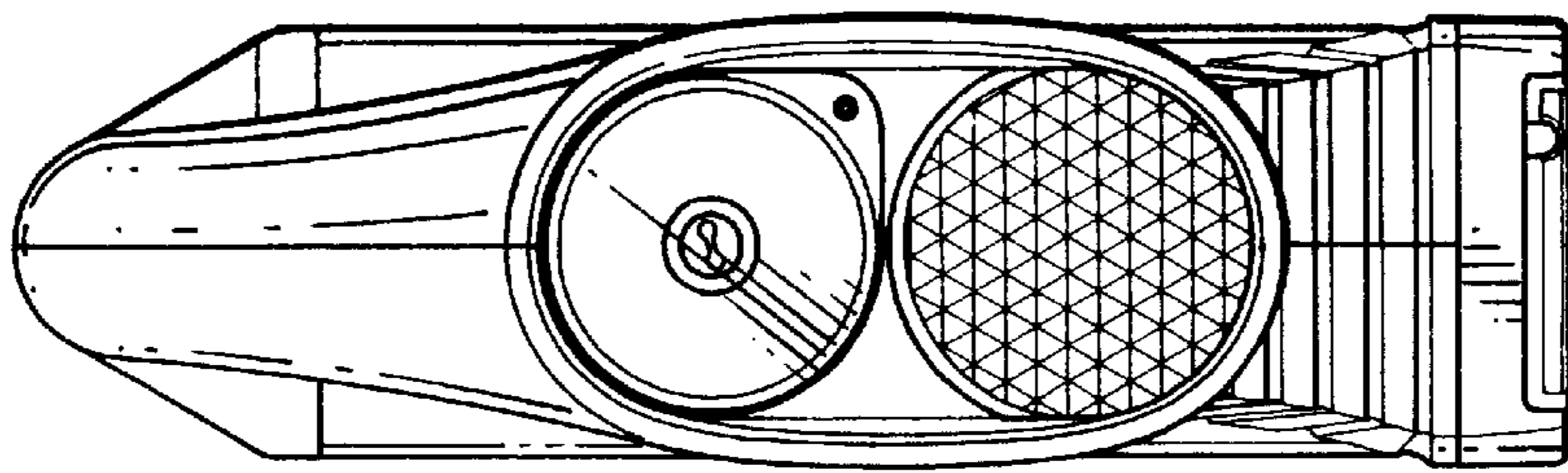


FIG. 2

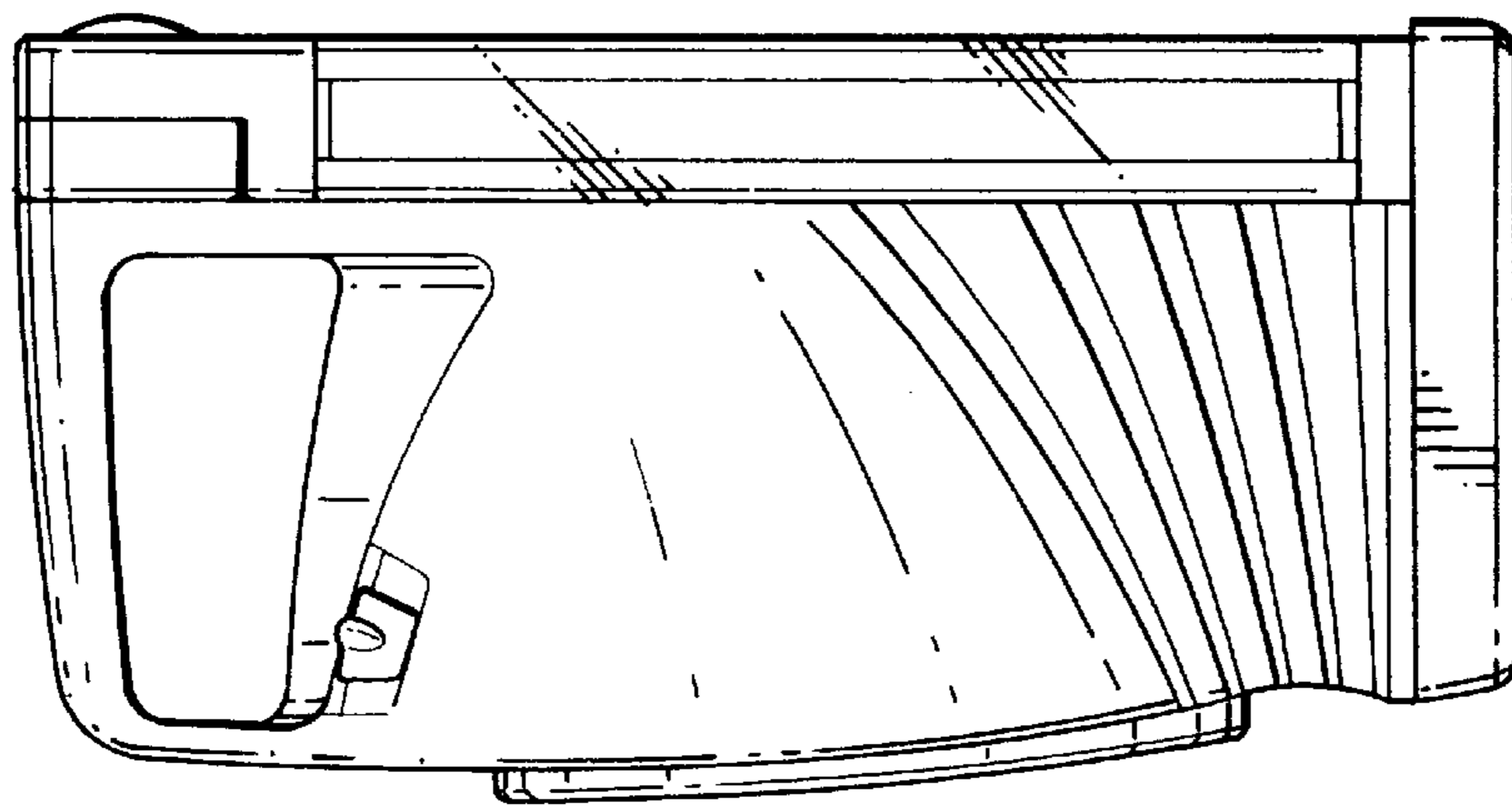


FIG. 3

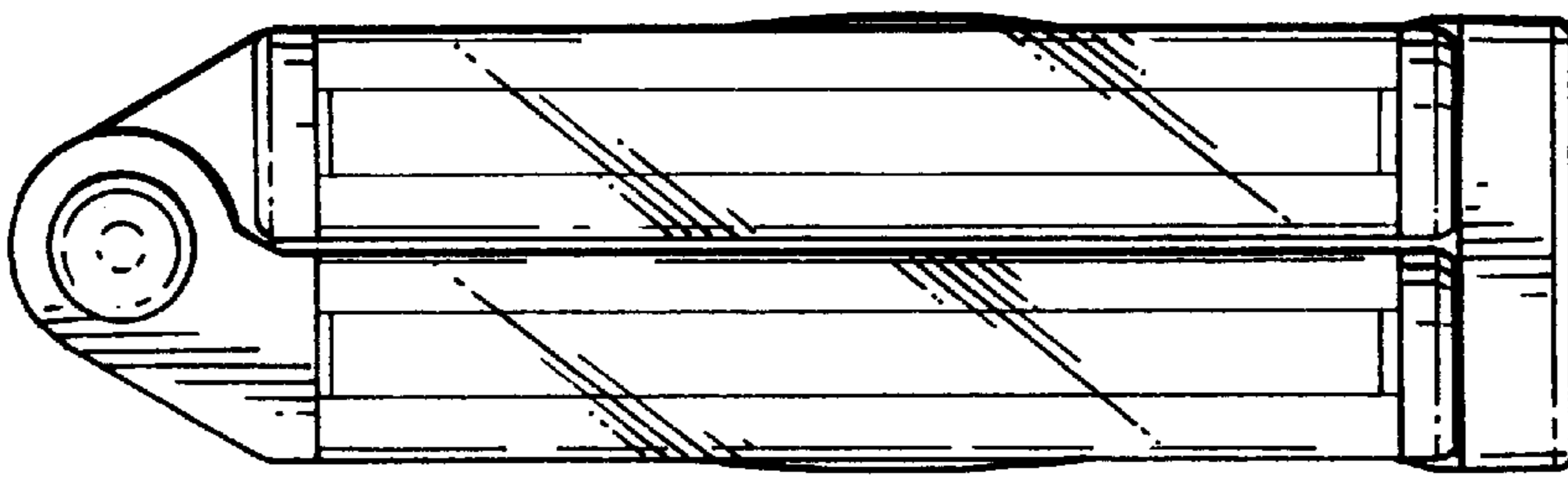


FIG. 4

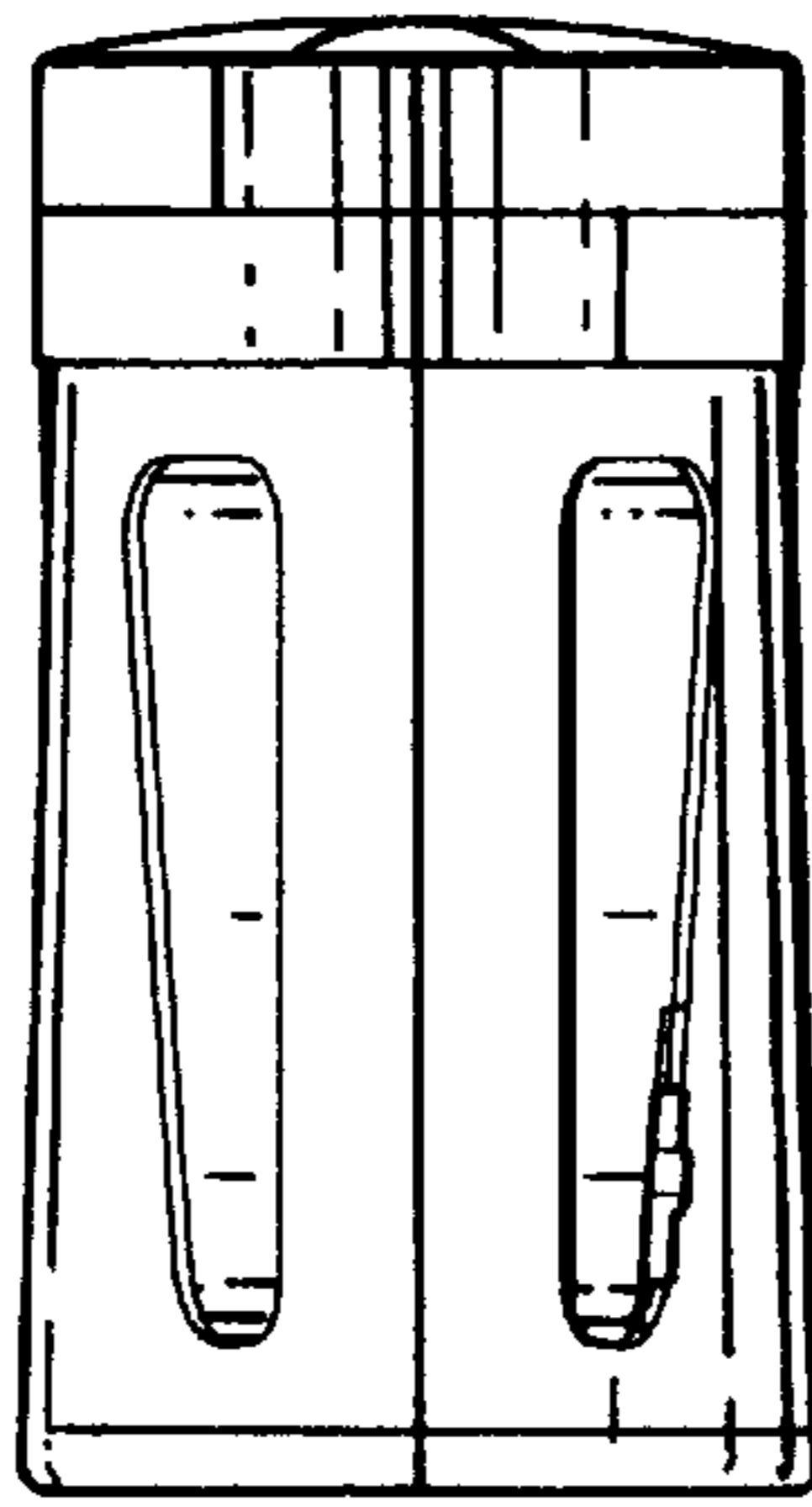


FIG. 5

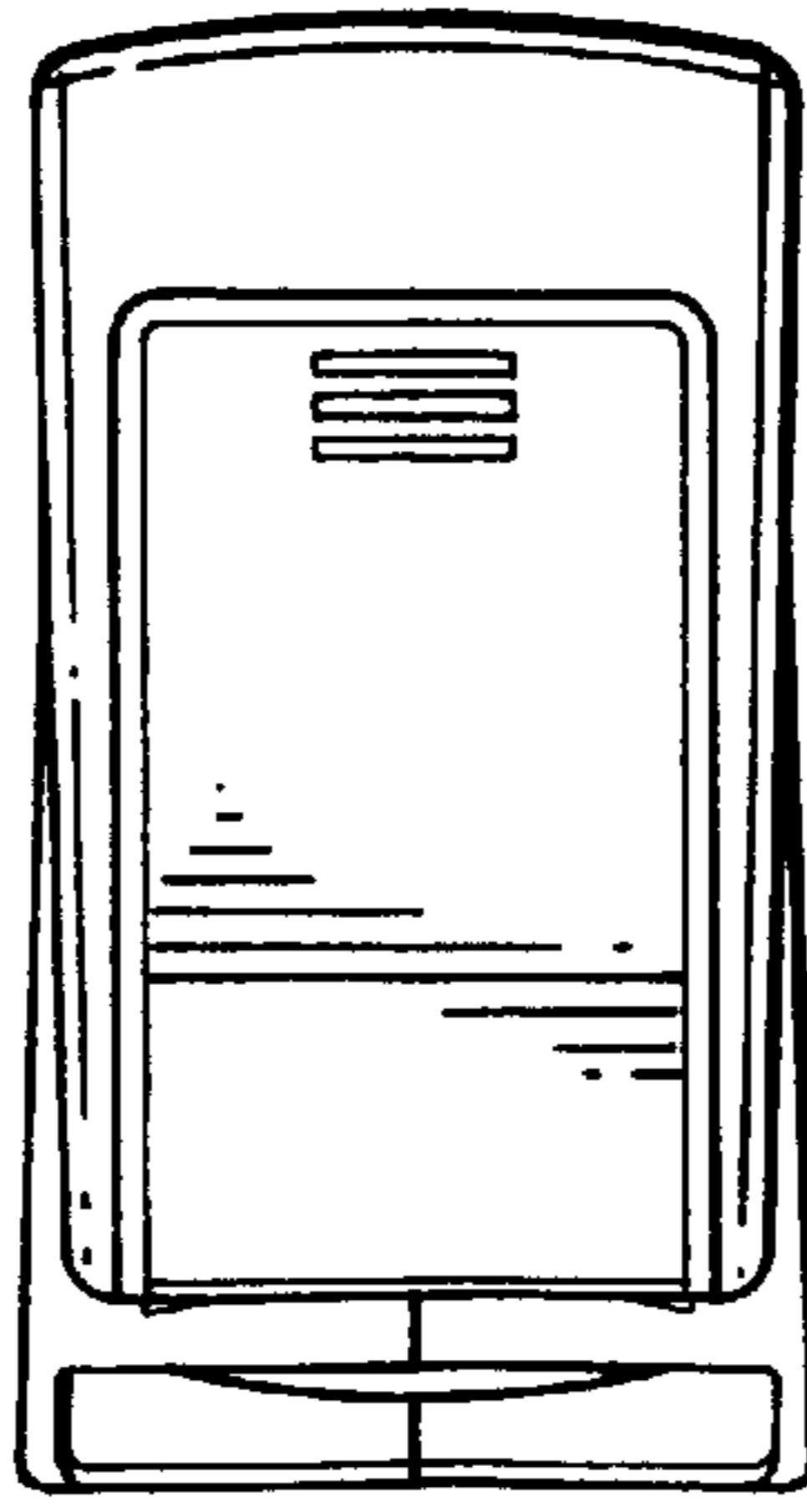


FIG. 6

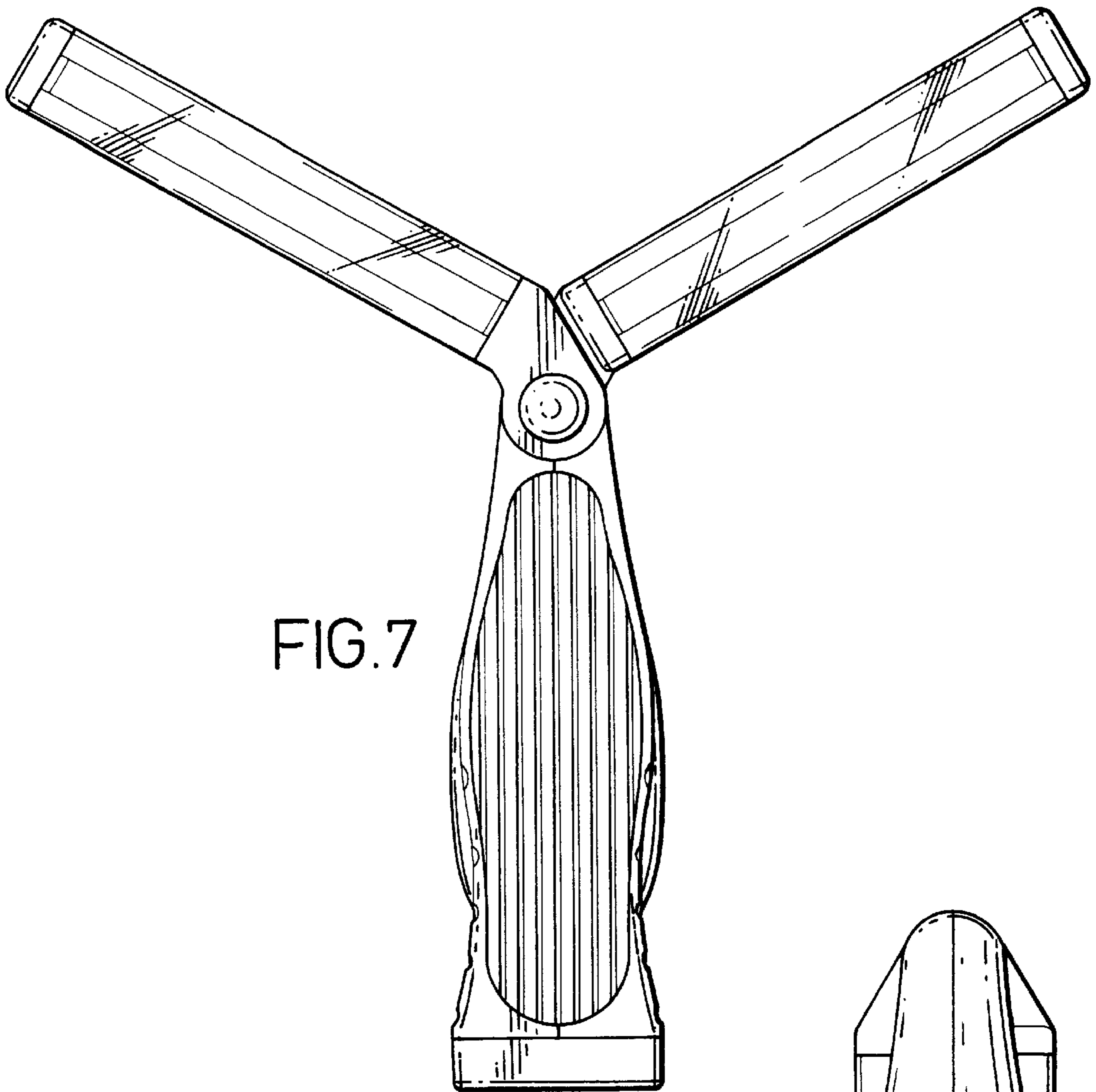


FIG. 7

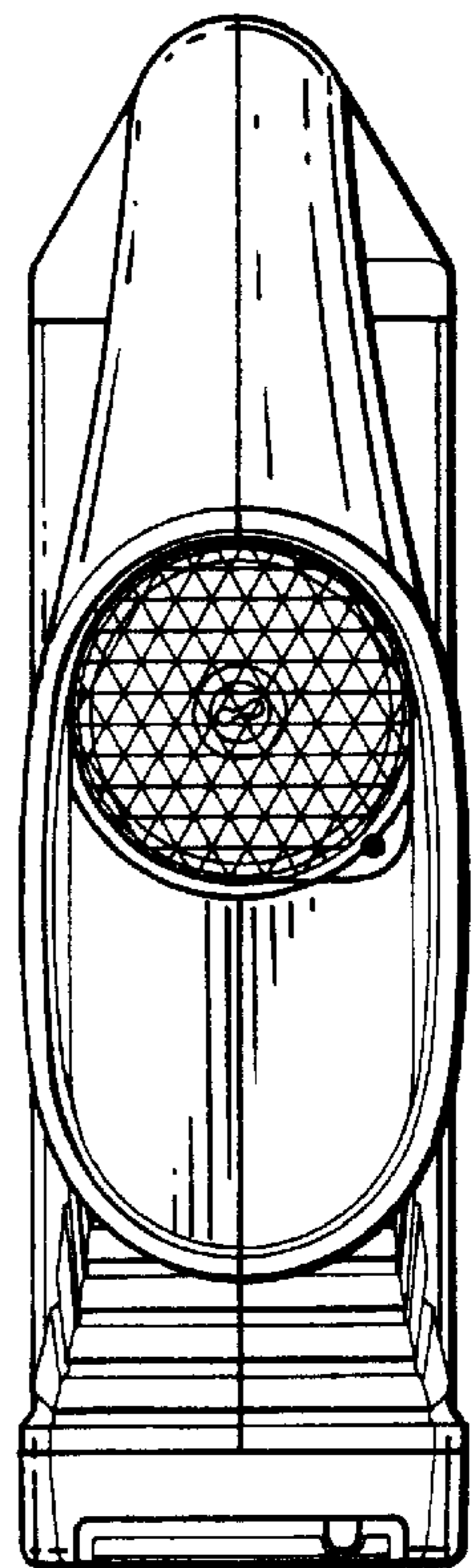


FIG. 8