



US00D418236S

United States Patent [19]

Yuen

[11] Patent Number: **Des. 418,236**

[45] Date of Patent: **** Dec. 28, 1999**

[54] **UFO EMERGENCY SENSOR LIGHT WITH LANTERN**

[75] Inventor: **Se Kit Yuen**, Kowloon, The Hong Kong Special Administrative Region of the People's Republic of China

[73] Assignee: **John Manufacturing Limited**, Kowloon, The Hong Kong Special Administrative Region of the People's Republic of China

[**] Term: **14 Years**

[21] Appl. No.: **29/080,374**

[22] Filed: **Dec. 5, 1997**

[30] **Foreign Application Priority Data**

Sep. 9, 1997 [GB] United Kingdom 2068932

[51] **LOC (6) Cl.** **26-02**

[52] **U.S. Cl.** **D26/38**

[58] **Field of Search** D26/37-50; 362/157, 362/158, 183-191, 194-205; D14/168, 188, 189

[56] **References Cited**

U.S. PATENT DOCUMENTS

| | | | | |
|------------|---------|------|-------|--------|
| D. 388,713 | 1/1998 | Yuen | | D26/38 |
| D. 393,784 | 4/1998 | Zee | | D26/38 |
| D. 401,371 | 11/1998 | Chen | | D26/38 |
| D. 402,069 | 12/1998 | Chan | | D26/38 |
| D. 408,935 | 4/1999 | Wan | | D26/38 |

Primary Examiner—Marcus A. Jackson
Attorney, Agent, or Firm—Darby & Darby

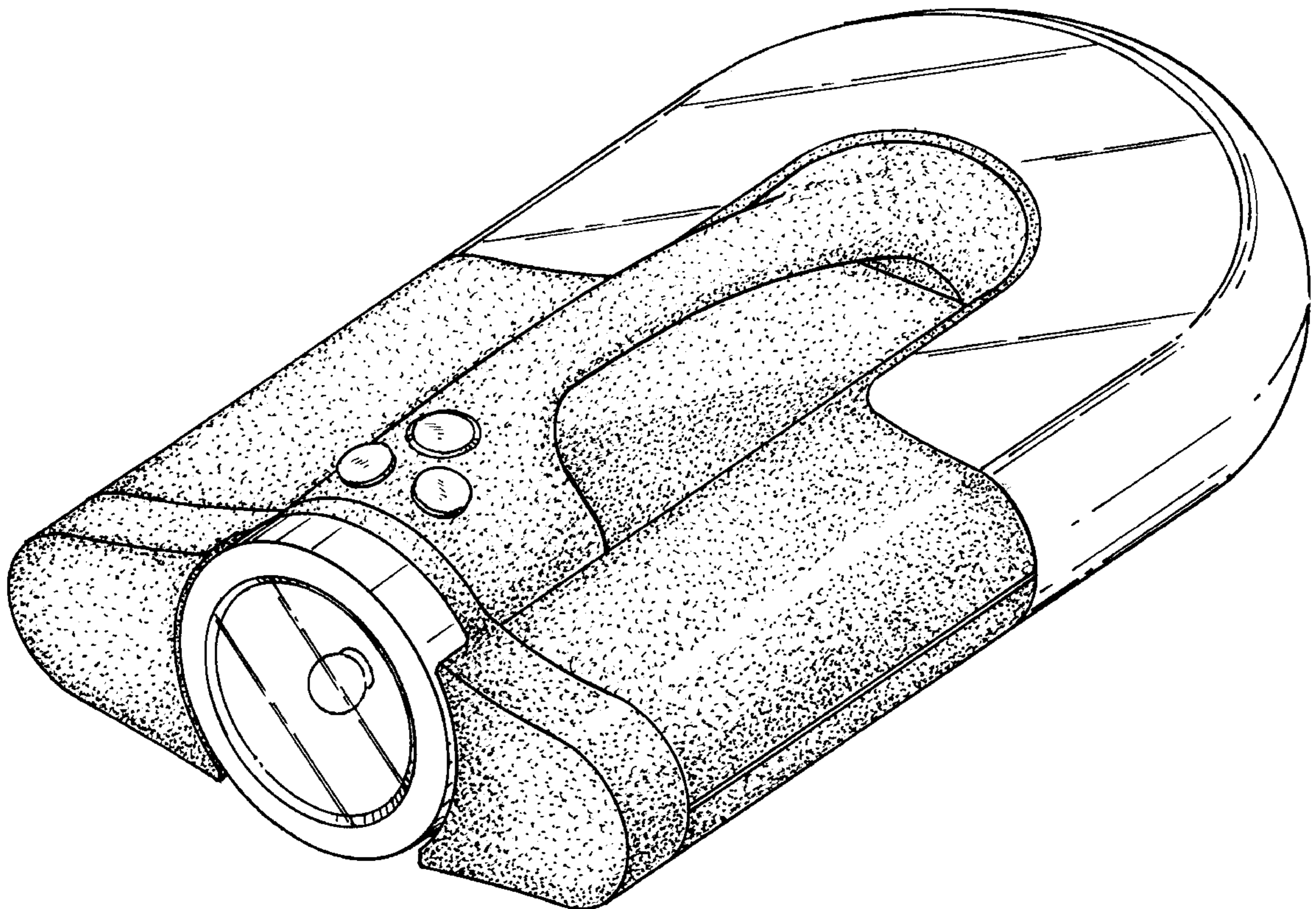
[57] **CLAIM**

The ornamental design for a UFO emergency sensor light with lantern, as shown and described.

DESCRIPTION

FIG. 1 is a perspective view, as viewed from the top, of a UFO sensor light with lantern, showing my new design; FIG. 2 is a top plan view thereof; FIG. 3 is a front elevational view thereof; FIG. 4 is a rear elevational view thereof; FIG. 5 is a left side elevational view thereof; FIG. 6 is a right side elevational view thereof; and, FIG. 7 is a bottom plan view thereof.

1 Claim, 6 Drawing Sheets



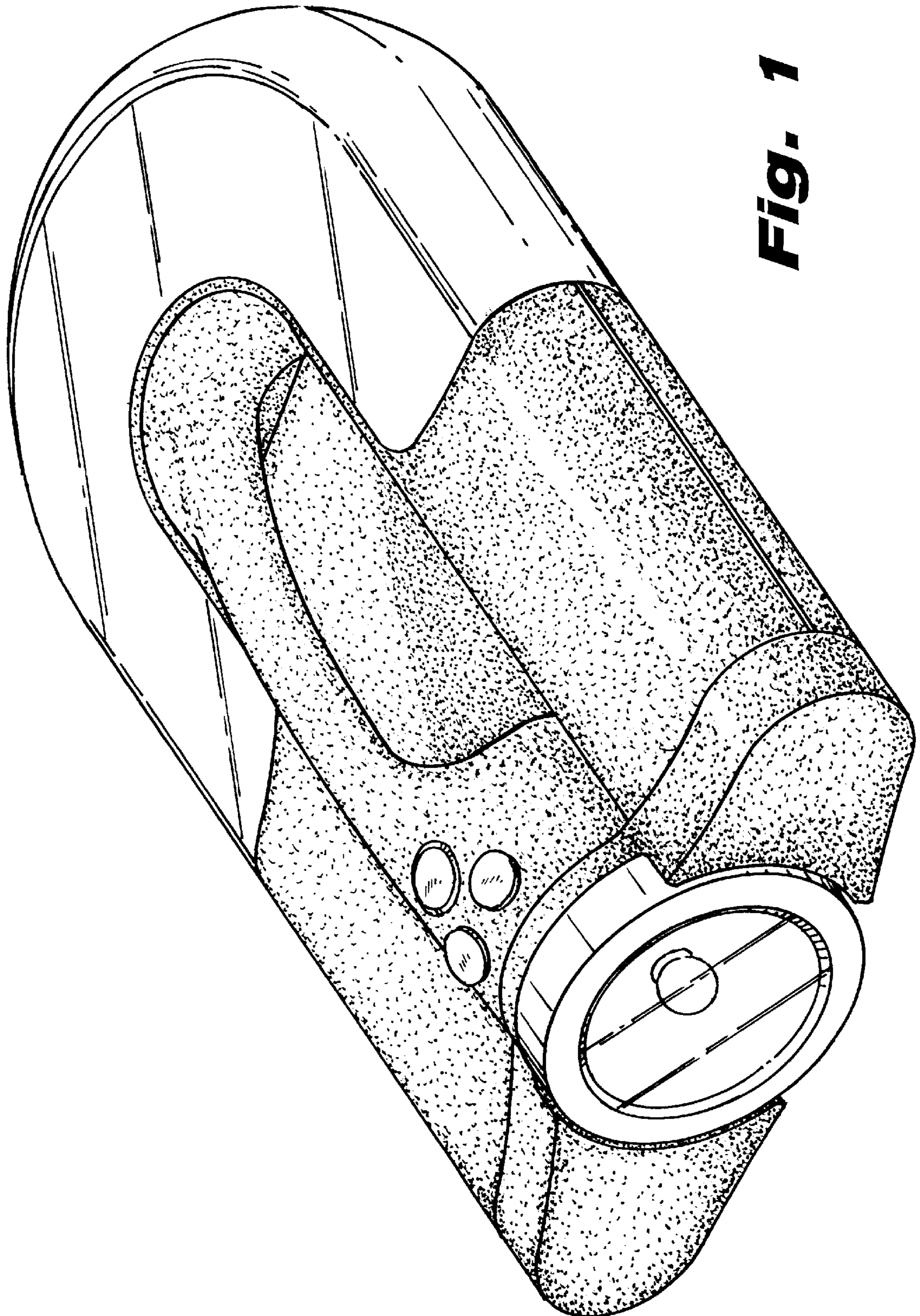
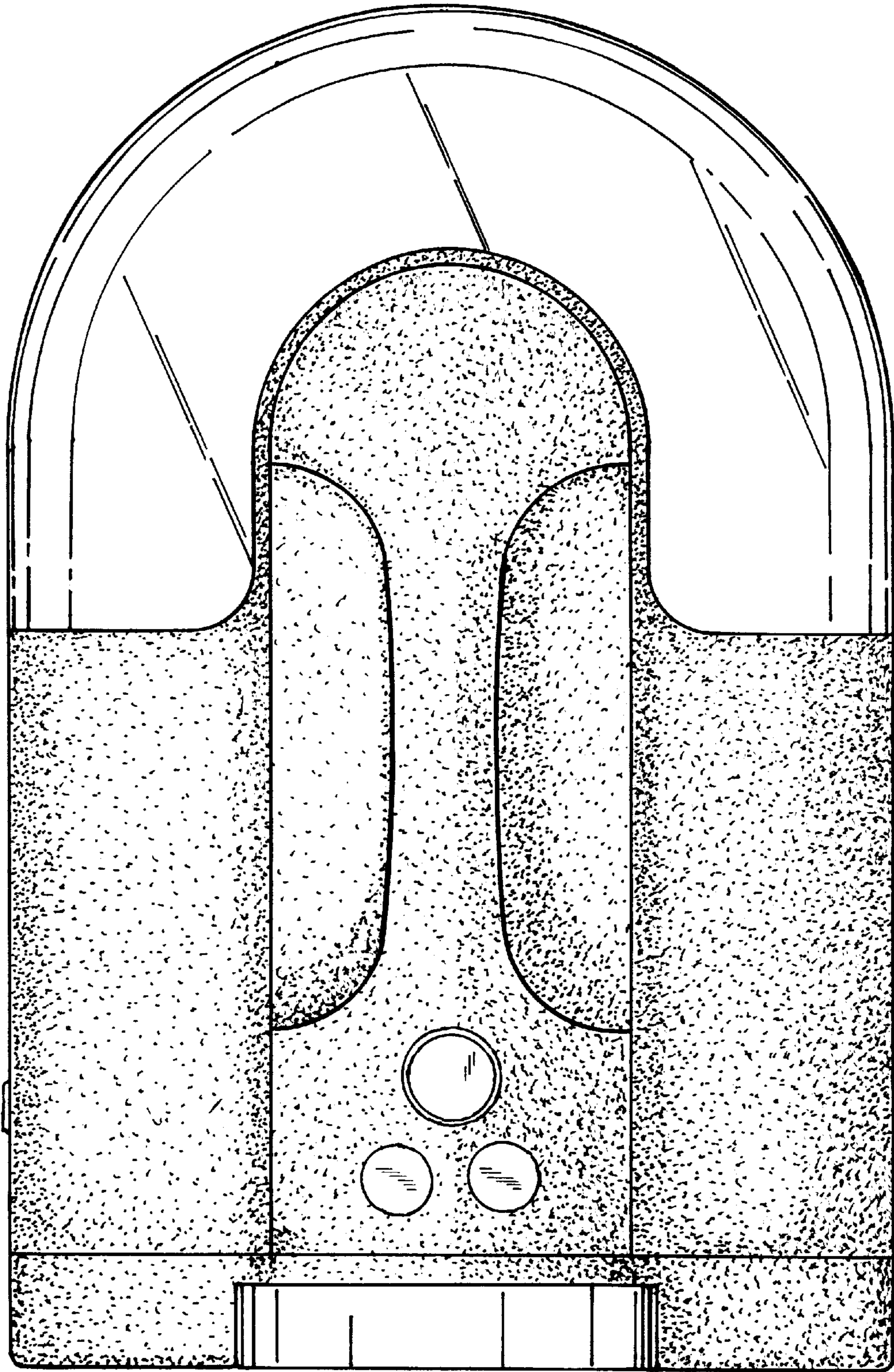


Fig. 1

Fig. 2



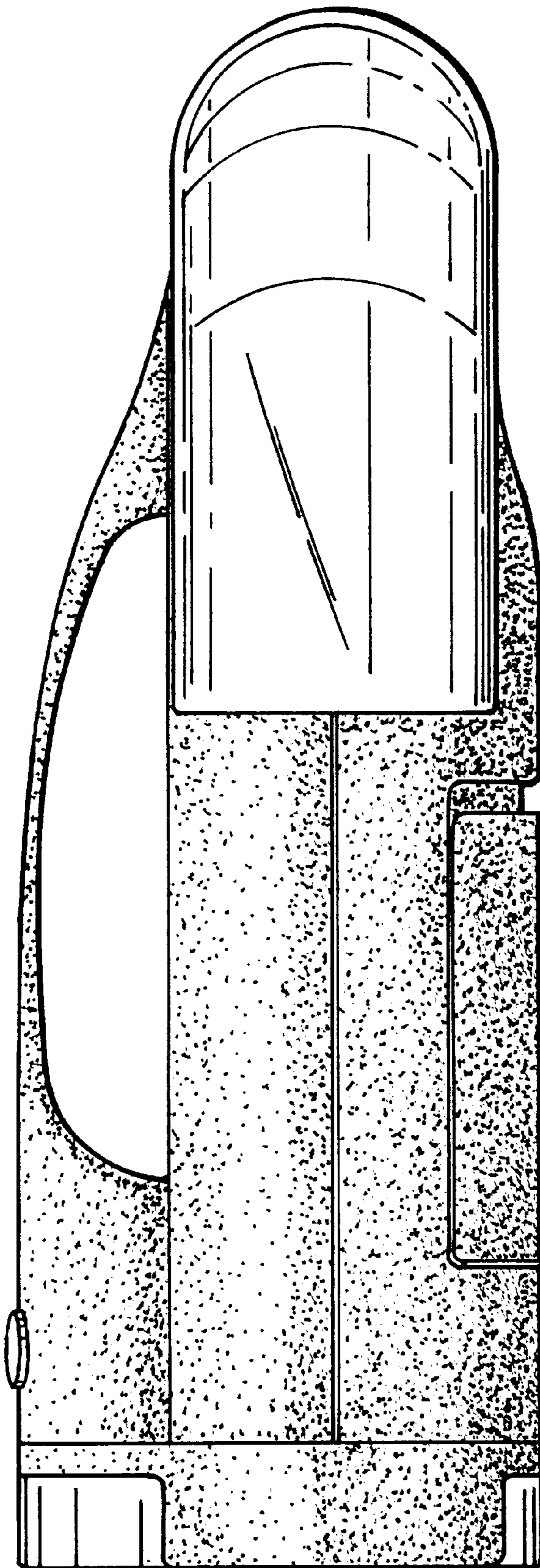


Fig. 3

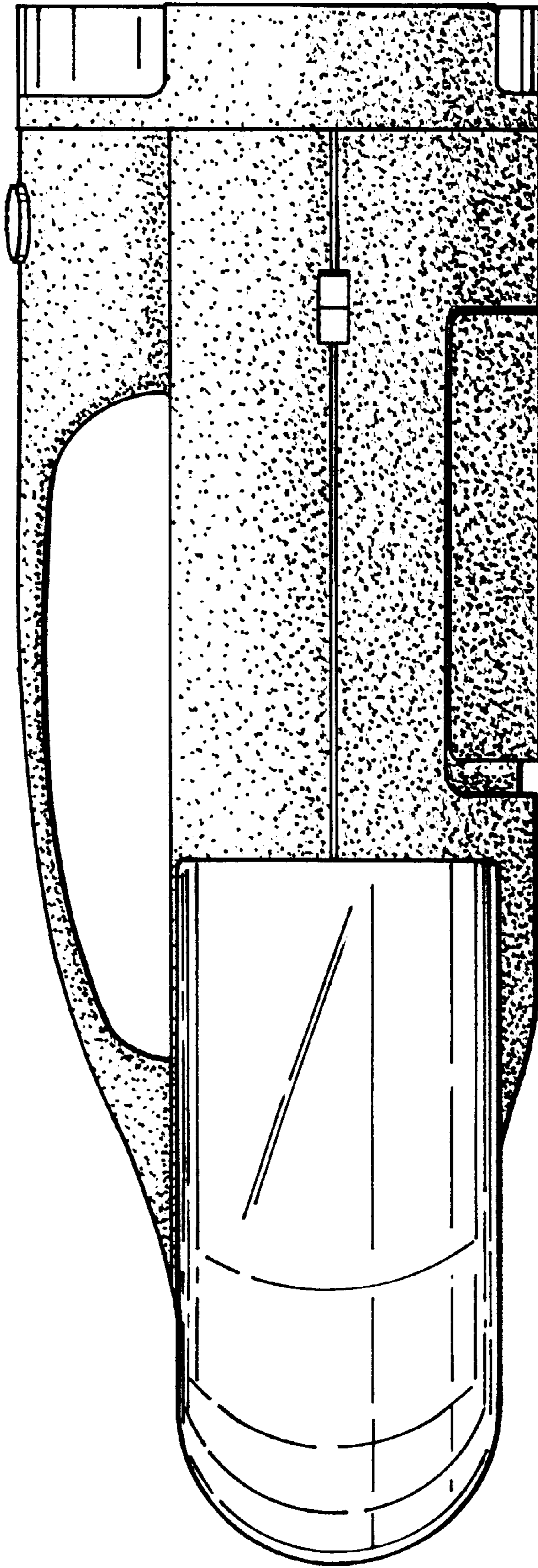


Fig. 4

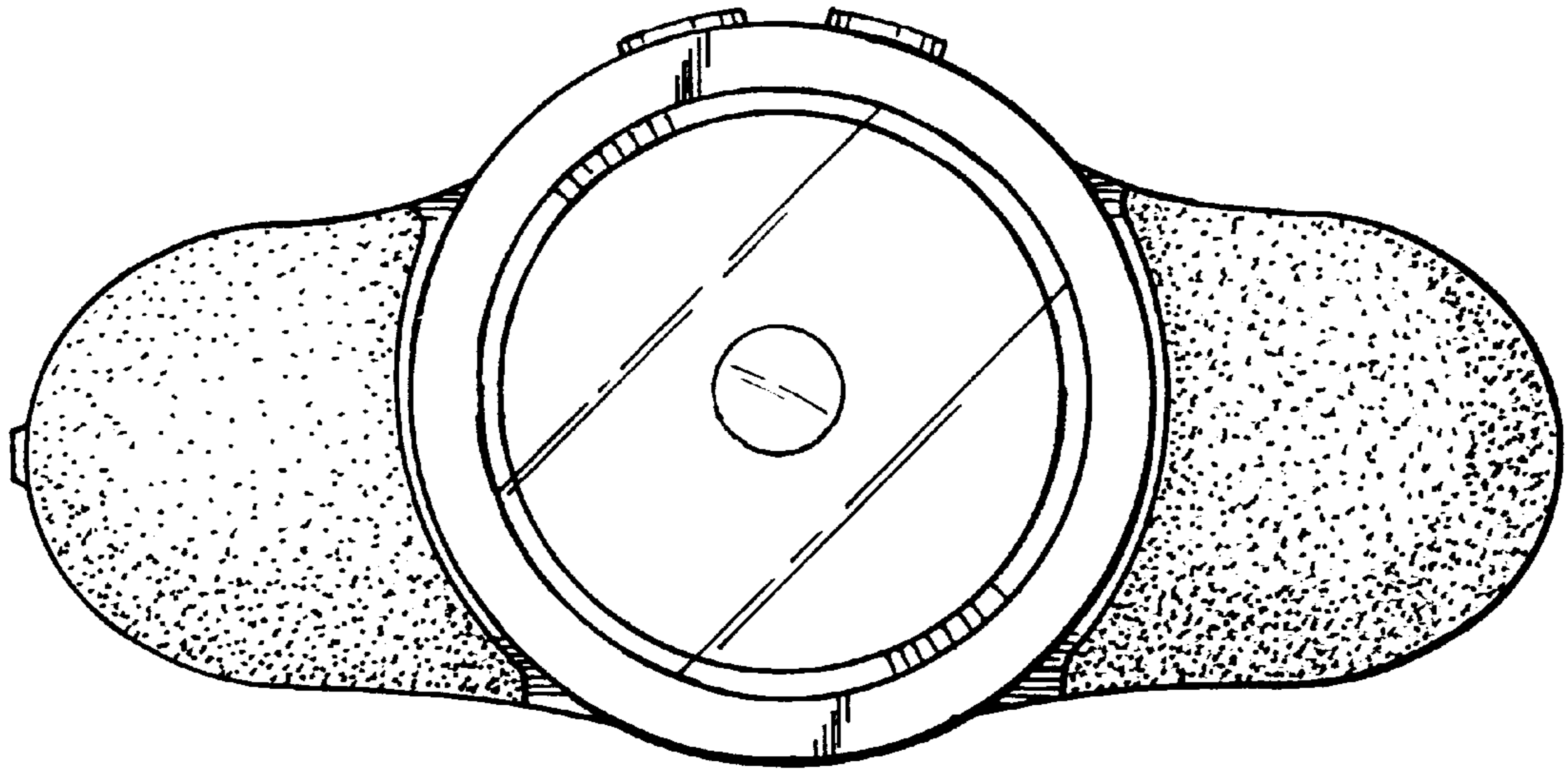


Fig. 5

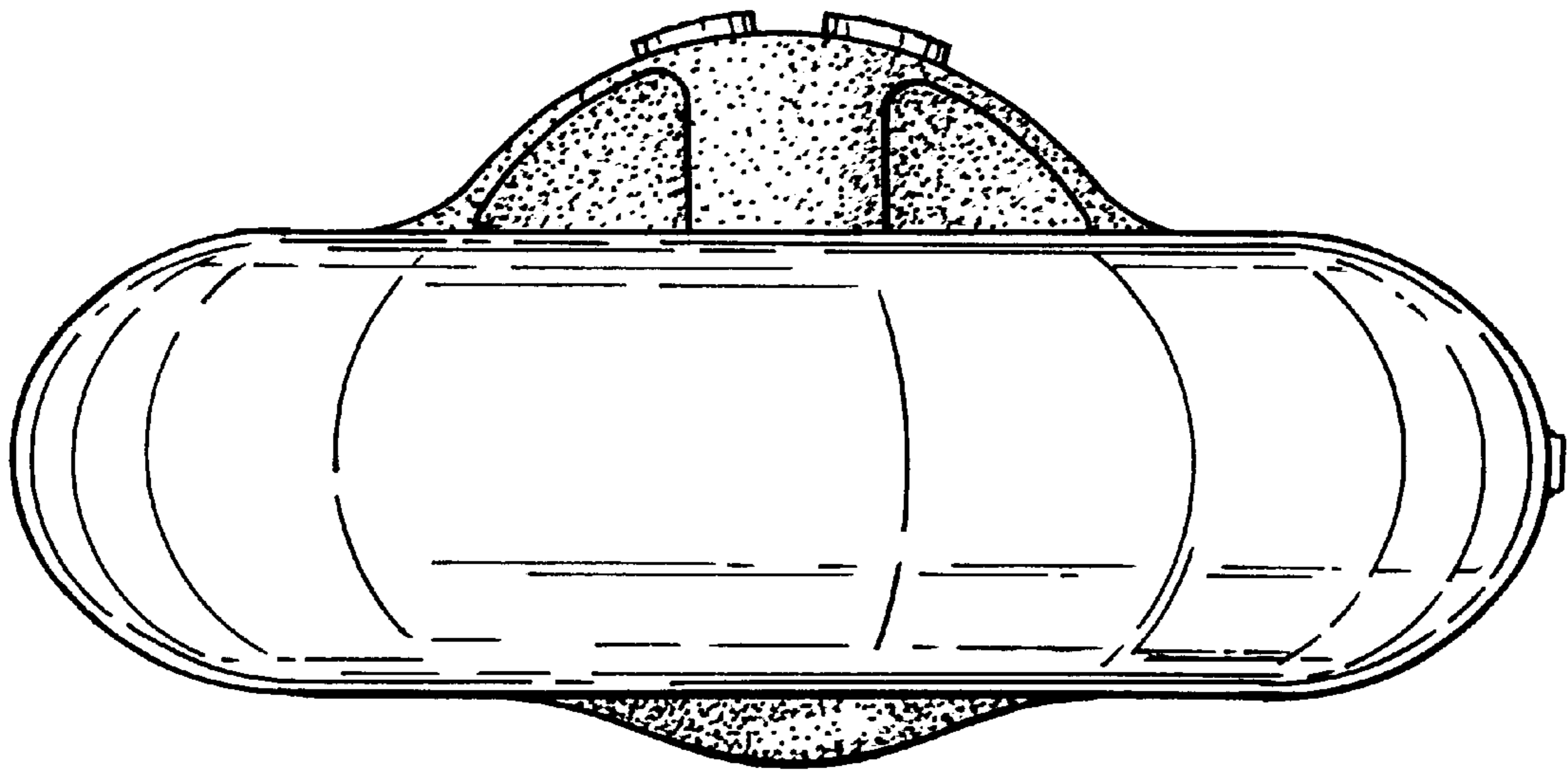


Fig. 6

Fig. 7

