



US00D418235S

United States Patent [19] Houplain

[11] **Patent Number: Des. 418,235**

[45] **Date of Patent: ** Dec. 28, 1999**

[54] **TORCH**

[75] Inventor: **Herve Houplain**, Paris, France

[73] Assignee: **Impex Handelsgesellschaft mbh (F.E.) Ltd.**, The Hong Kong Special Administrative Region of the People's Republic of China

[**] Term: **14 Years**

[21] Appl. No.: **29/066,437**

[22] Filed: **Feb. 10, 1997**

[51] **LOC (6) Cl.** **26-02**

[52] **U.S. Cl.** **D26/37**

[58] **Field of Search** D26/37-50; 362/157, 362/158, 183-208

[56] **References Cited**

U.S. PATENT DOCUMENTS

D. 322,139 12/1991 Wang D26/49

D. 331,293 11/1992 Dickerson D26/49
D. 360,044 7/1995 Jillery D26/49
D. 367,721 3/1996 Maglica D26/49
D. 370,543 6/1996 Huen D26/49

Primary Examiner—Marcus A. Jackson
Attorney, Agent, or Firm—Samuels, Gauthier, Stevens & Reppert

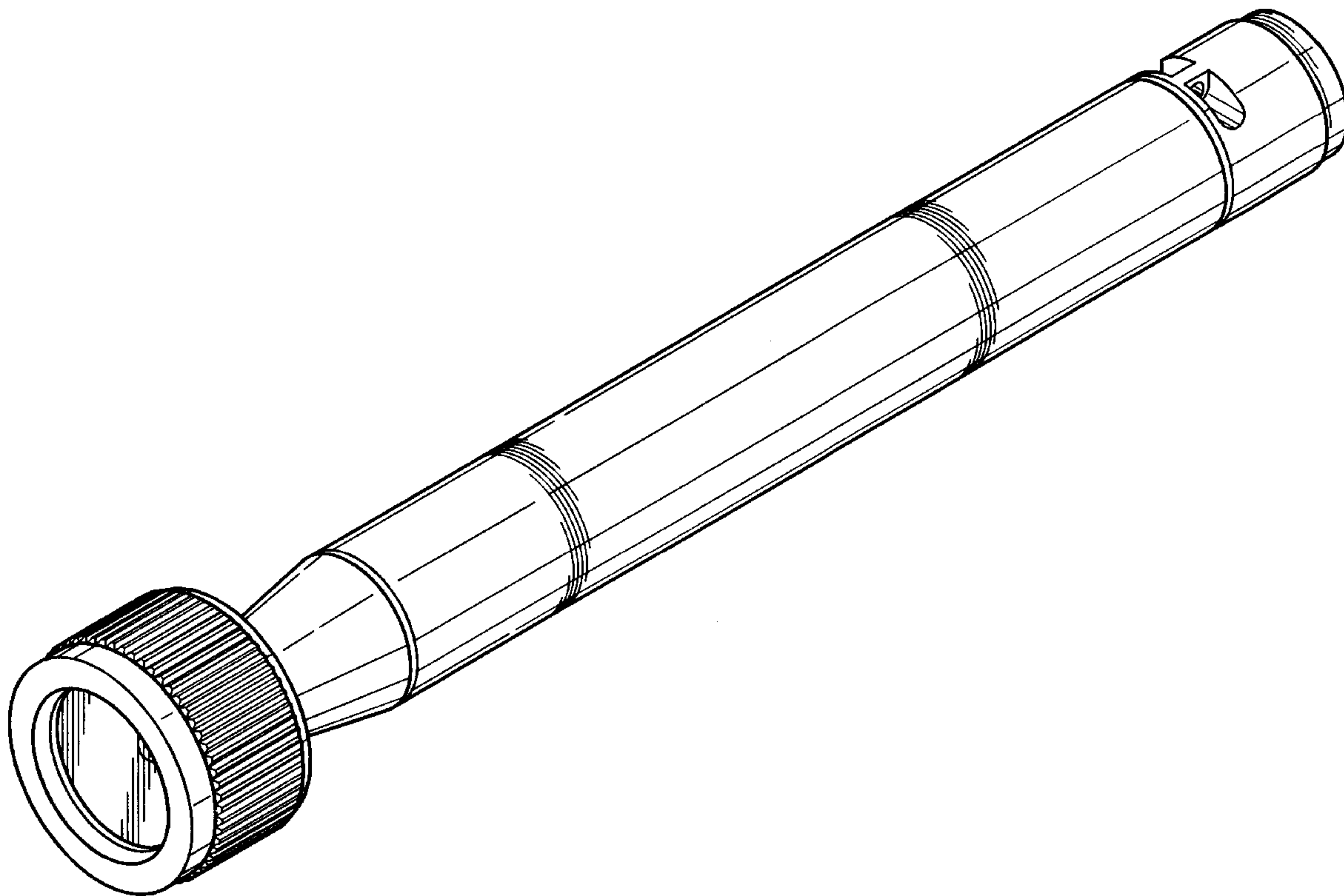
[57] **CLAIM**

The ornamental design for “a torch,” as show and described.

DESCRIPTION

FIG. 1 is the perspective view showing my new design; FIG. 2 is the front view thereof; FIG. 3 is the rear view thereof; FIG. 4 is the left-hand view thereof; FIG. 5 is the right-hand view thereof; FIG. 6 is the top view thereof; and, FIG. 7 is the bottom view thereof.

1 Claim, 4 Drawing Sheets



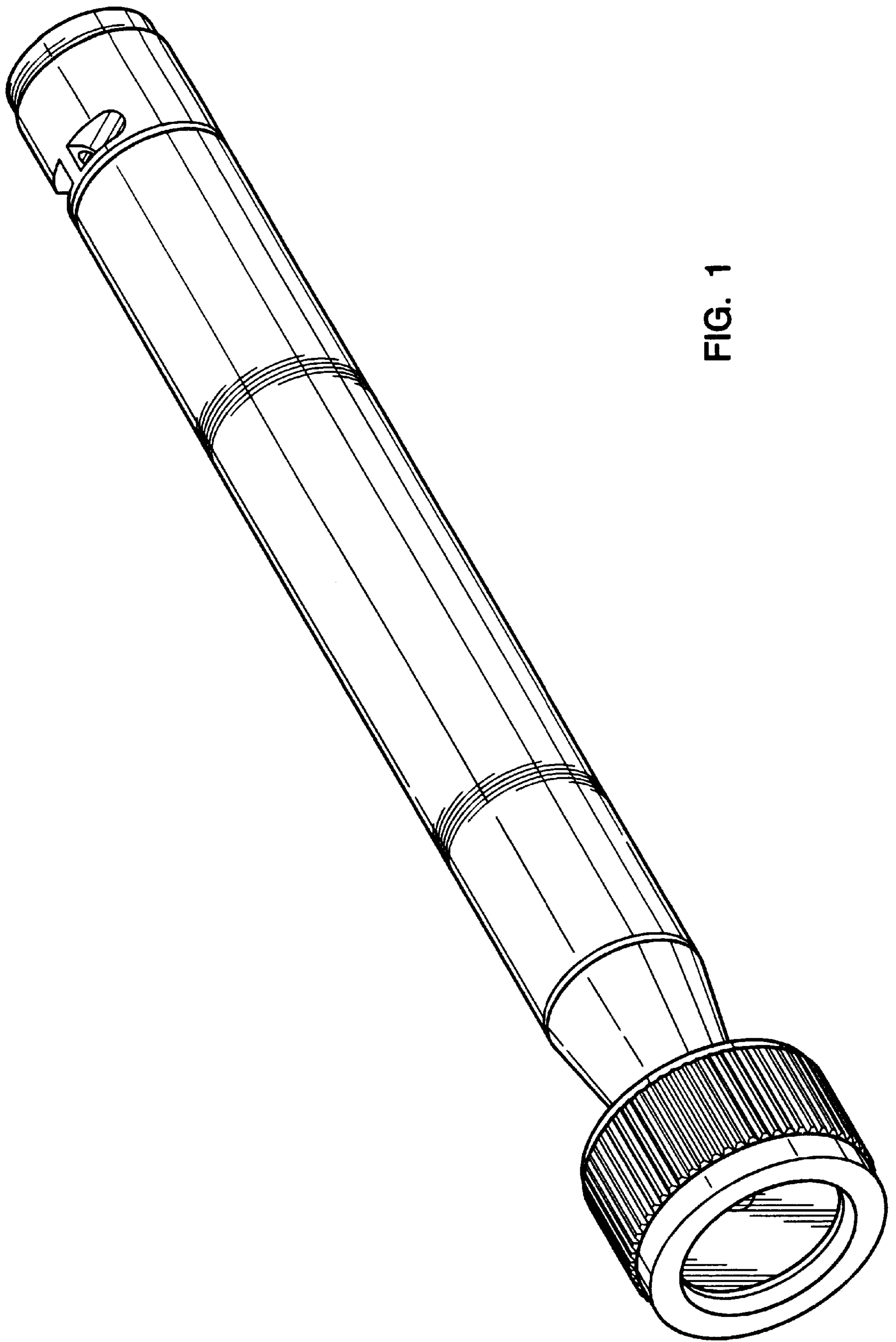


FIG. 1

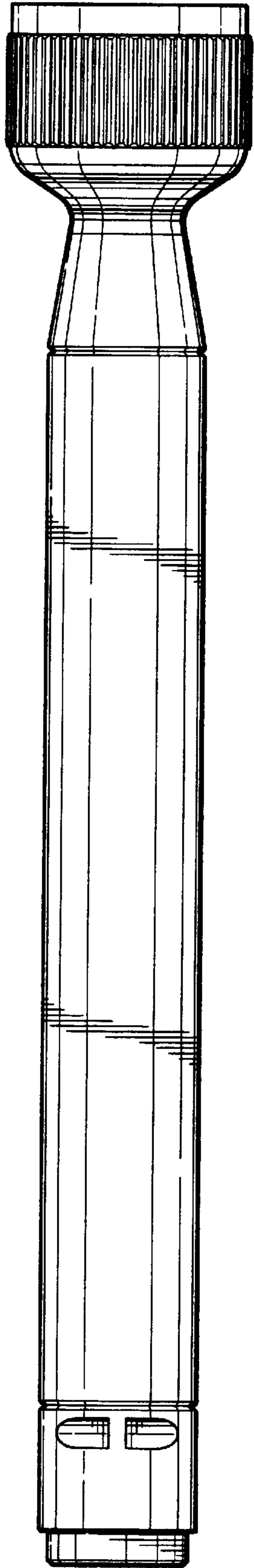


FIG. 2

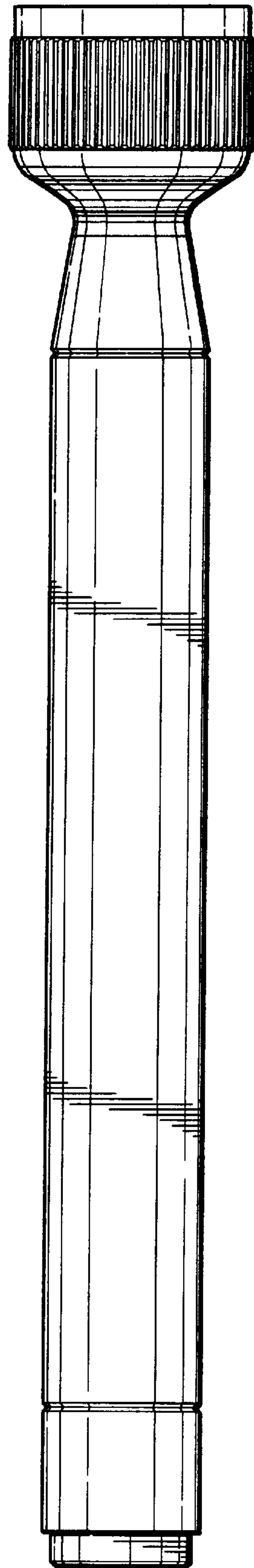


FIG. 3

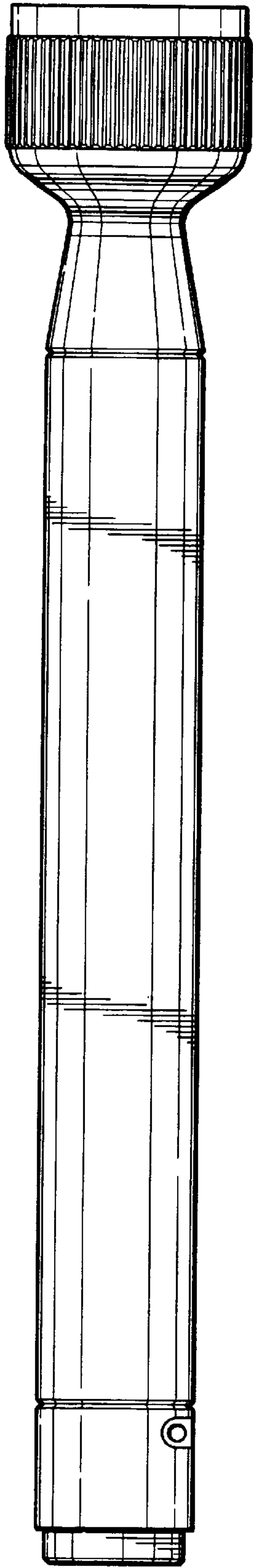


FIG. 4

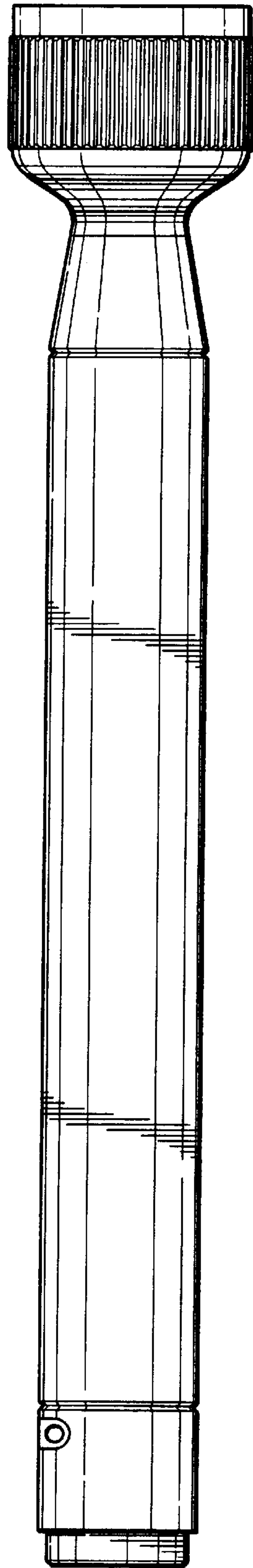


FIG. 5

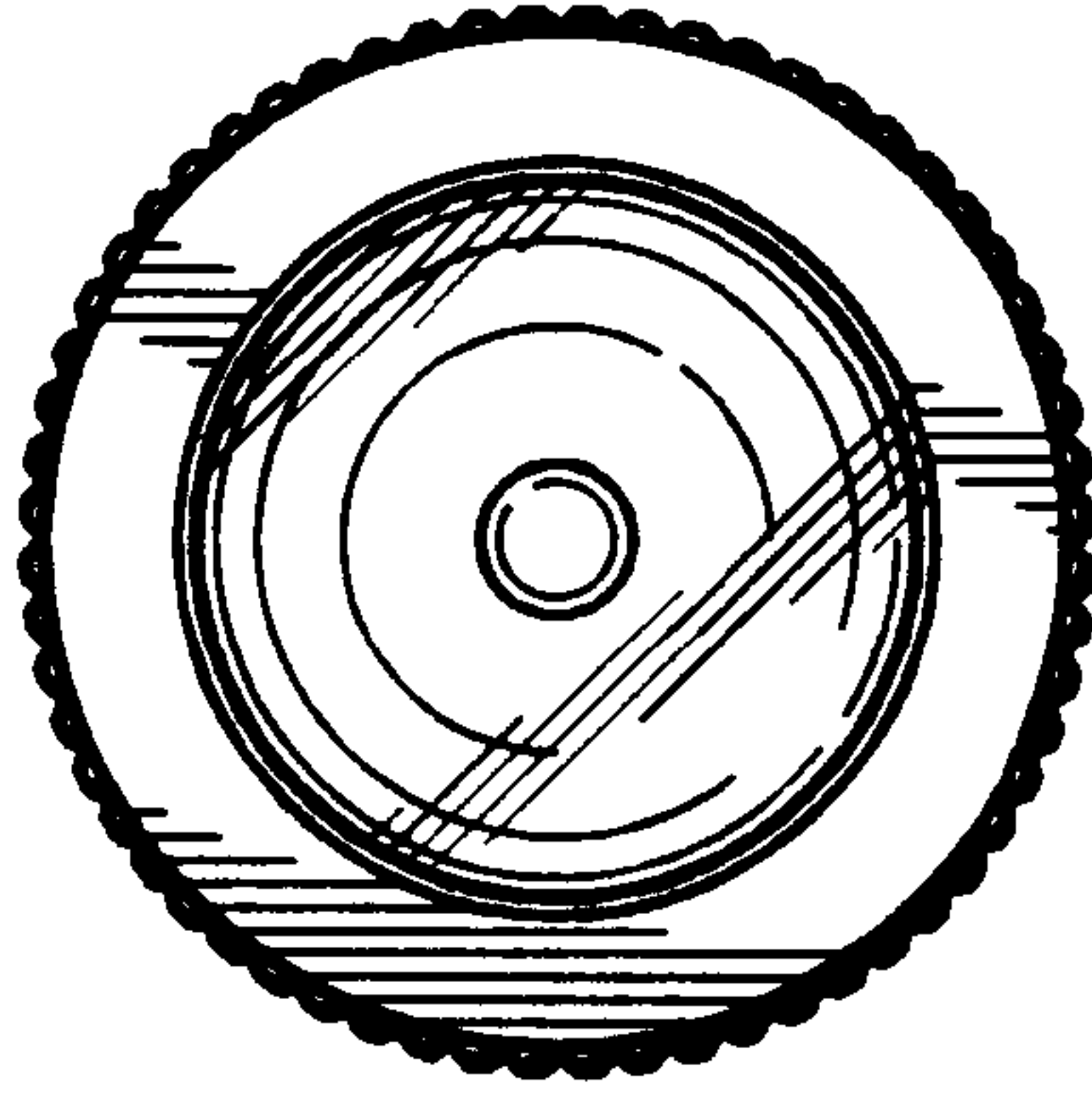


FIG. 6

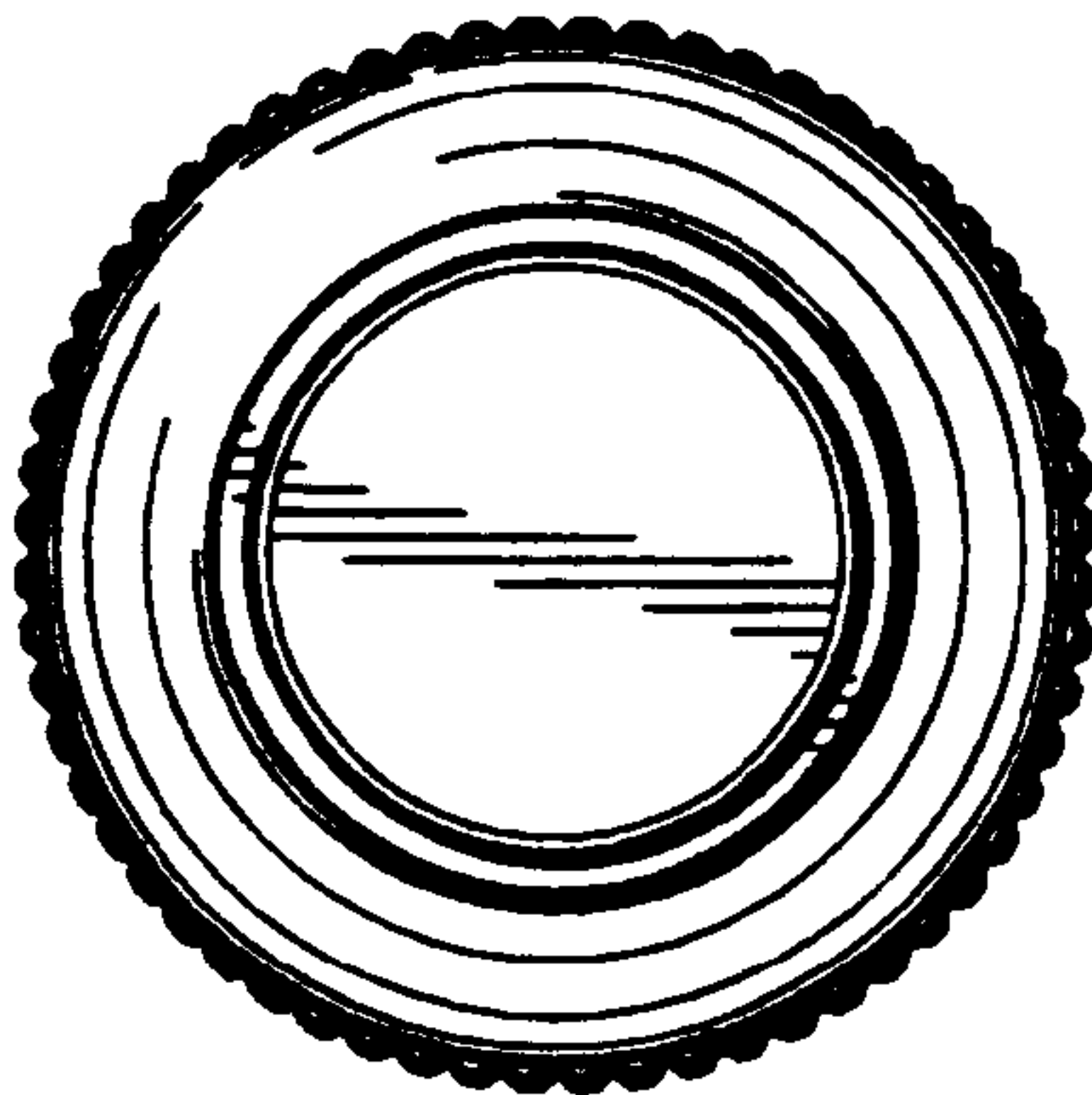


FIG. 7