



US00D418231S

United States Patent [19] DiGiorgio

[11] **Patent Number: Des. 418,231**

[45] **Date of Patent: ** Dec. 28, 1999**

[54] **WINDOW OR DOOR FRAME COMPONENT**

D. 390,975 2/1998 Tyra D25/124

[75] Inventor: **Tony DiGiorgio**, Woodbridge, Canada

Primary Examiner—Doris Clark

[73] Assignee: **Dominion Plastics Inc.**

[**] Term: **14 Years**

[57] **CLAIM**

[21] Appl. No.: **29/094,768**

The ornamental design for a window or door frame component, as shown and described.

[22] Filed: **Oct. 9, 1998**

DESCRIPTION

[30] **Foreign Application Priority Data**

Oct. 5, 1998 [CA] Canada 2411

FIG. 1 is a front perspective view of the window or door frame component; and,

[51] **LOC (6) Cl.** **25-01**

FIG. 2 is a rear perspective view of the window or door frame component.

[52] **U.S. Cl.** **D25/124**

[58] **Field of Search** D25/60, 52, 119-125; 52/204.5; 49/501, 504, DIG. 122

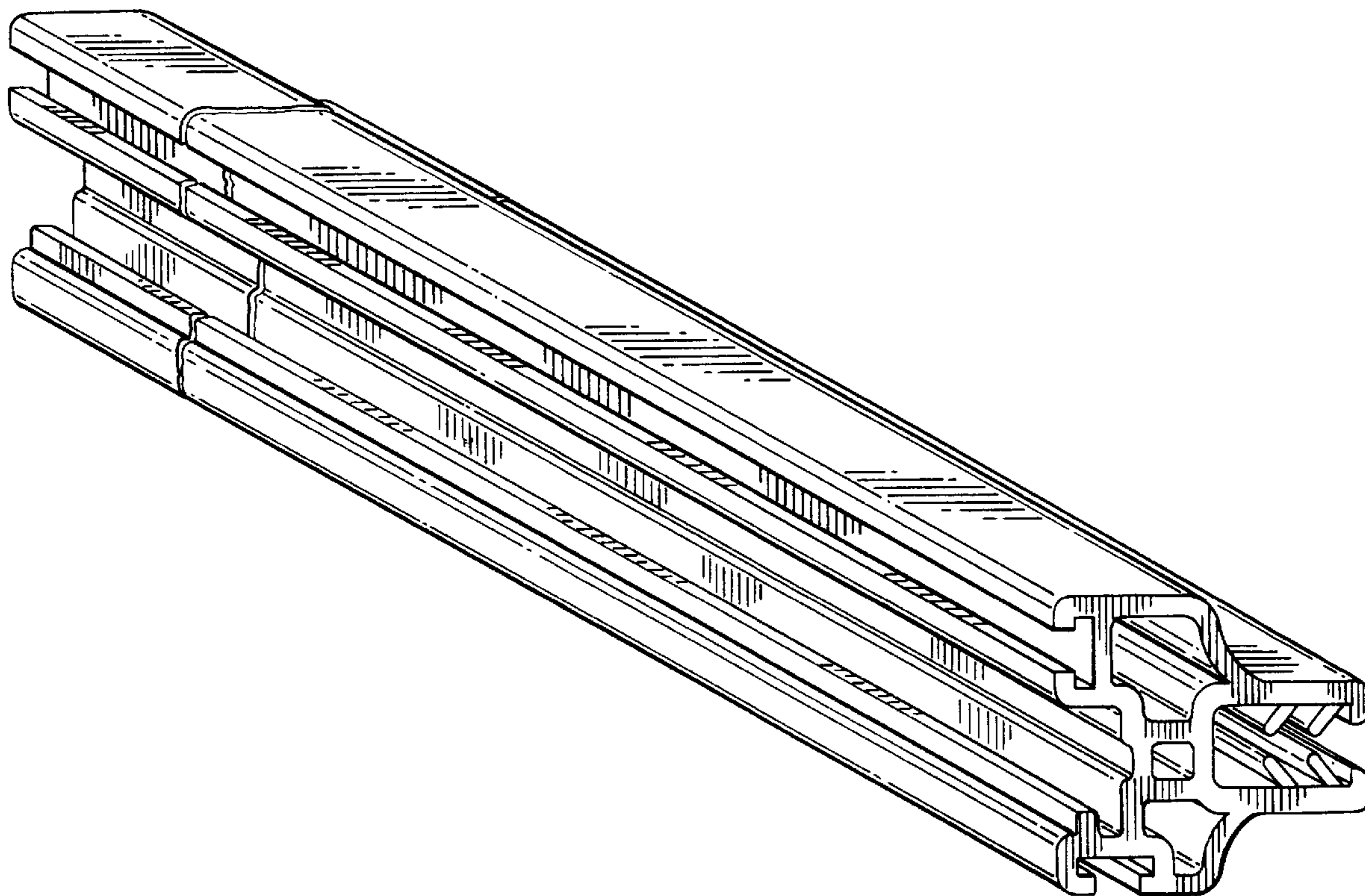
The window or door frame component in FIG. 1 and FIG. 2 is broken away at the end to indicate indefinite length.

[56] **References Cited**

U.S. PATENT DOCUMENTS

D. 378,425 3/1997 Leonelli D25/124

1 Claim, 1 Drawing Sheet



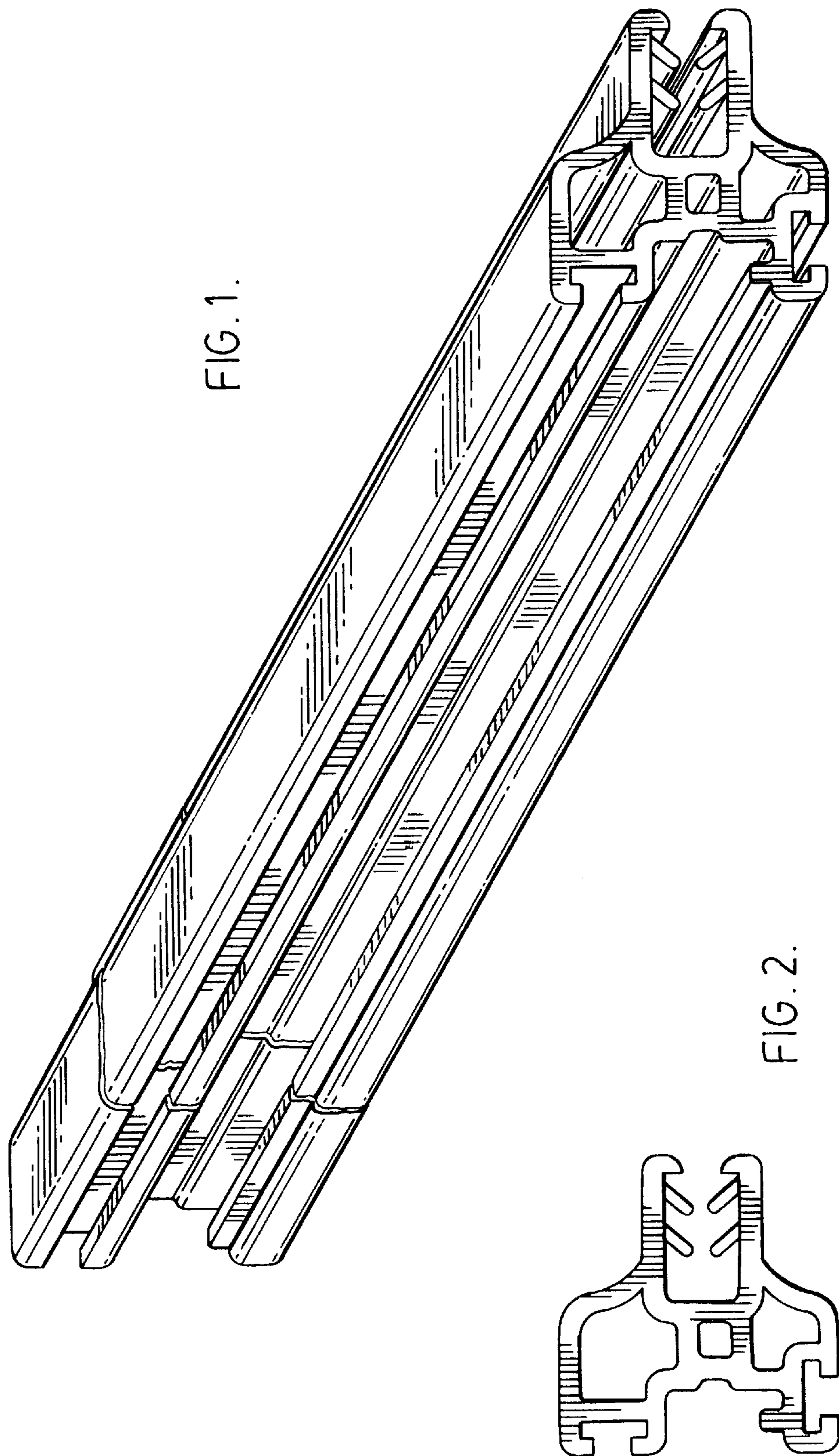


FIG. 1.

FIG. 2.