



US00D418217S

United States Patent [19]

[11] Patent Number: Des. 418,217

LaSpina et al.

[45] Date of Patent: ** Dec. 28, 1999

[54] **COMBINED CEILING FAN AND LIGHT KIT**

[75] Inventors: **Alfred J. LaSpina**, Methuen, Mass.;
Stephen M. Gatchell, Warwick, R.I.

[73] Assignee: **Honeywell Inc.**, Minneapolis, Minn.

[**] Term: **14 Years**

[21] Appl. No.: **29/086,976**

[22] Filed: **Apr. 23, 1998**

[51] **LOC (6) Cl.** **23-04**

[52] **U.S. Cl.** **D23/377; D23/379; D23/385**

[58] **Field of Search** **D23/377, 379,**
D23/385, 411, 413; D26/80, 88, 81-86,
51, 59, 72; 362/96; 392/364

[56] **References Cited**

U.S. PATENT DOCUMENTS

D. 256,614	8/1980	Hoyt	D23/163
D. 377,976	2/1997	Jaspers-Fayer	D23/377
D. 378,403	3/1997	Jaspers-Fayer	D23/377
D. 392,734	3/1998	Pickett	D23/411

OTHER PUBLICATIONS

Oneida Innovations Inc. Cat., p. 16, Ceiling Fan Light Kit **(A)**, lower left side of page, 1992.

Sonica Fan Innovations Inc. Cat, p. 10, Ceiling Fan **(B)** top left side of page.

Coded Internat'l Inc. Cat, p. 28, Ceiling Fan **(C)**, upper left side of page.

CEC Electrical Manufacturing (Int'l) Co., Ltd. Advertisement in Jan. 1985 Hong Kong Enterprise (p. 213).

Page from Sep. 1989 Metropolitan Home (p. 32).

Primary Examiner—Lisa Lichtenstein
Attorney, Agent, or Firm—Robert B. Leonard

[57] **CLAIM**

The ornamental design for a combined ceiling fan and light kit, as shown and described.

DESCRIPTION

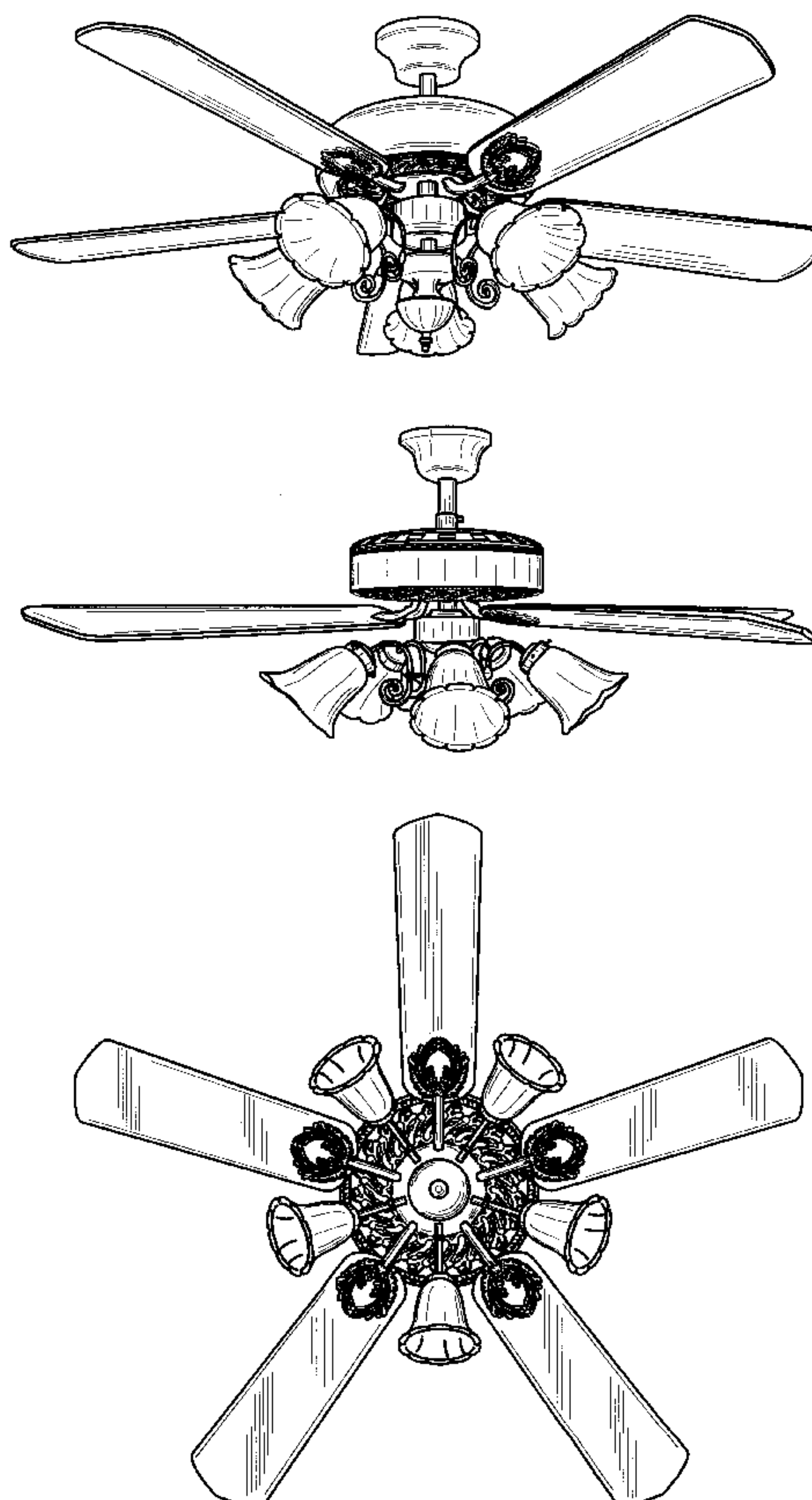
FIG. 1 is a perspective view of a combined ceiling fan and light kit showing our design.

FIG. 2 is a front elevational view of the combined ceiling fan and light kit shown in FIG. 1, the opposite and adjacent sides being substantially mirror images of the front elevational view.

FIG. 3 is a top plan view of the combined ceiling fan and light kit shown in FIG. 1; and,

FIG. 4 is a bottom plan view of the combined ceiling fan and light kit shown in FIG. 1.

1 Claim, 2 Drawing Sheets



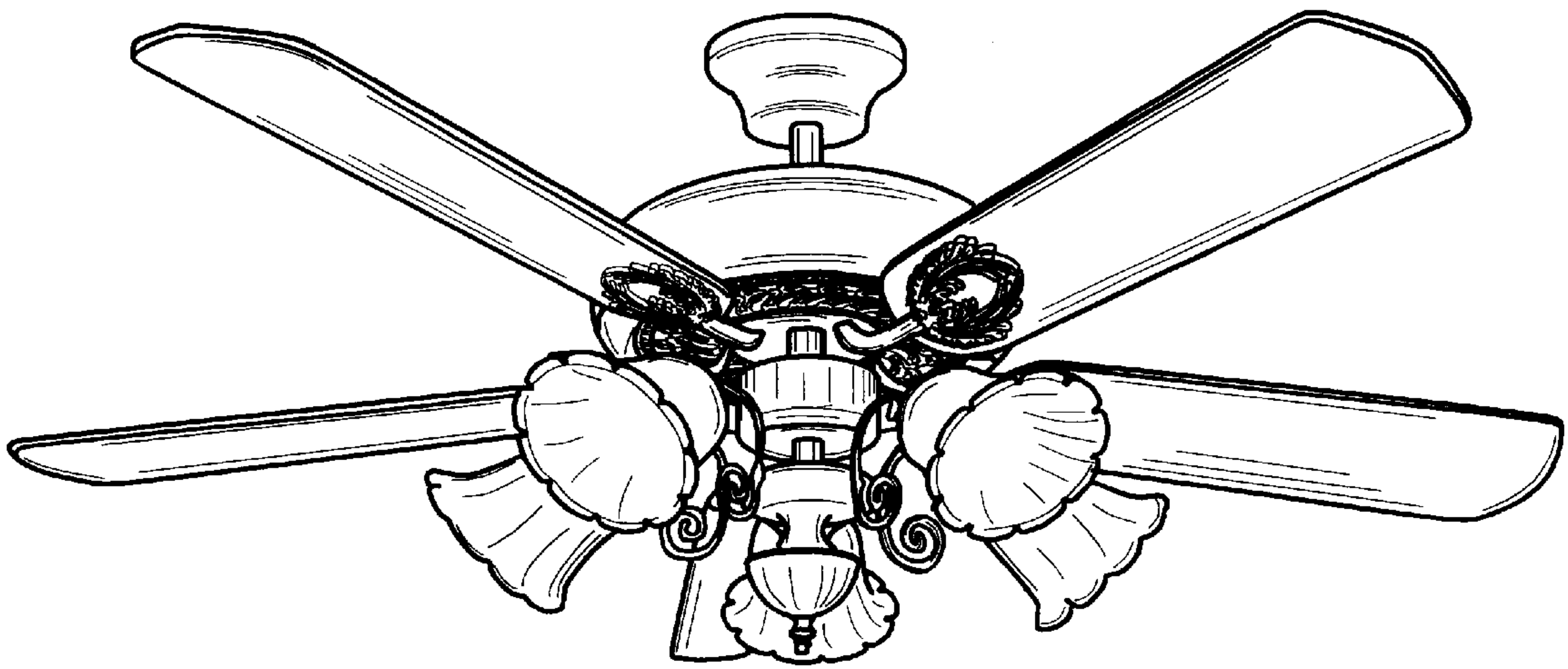


FIG. 1

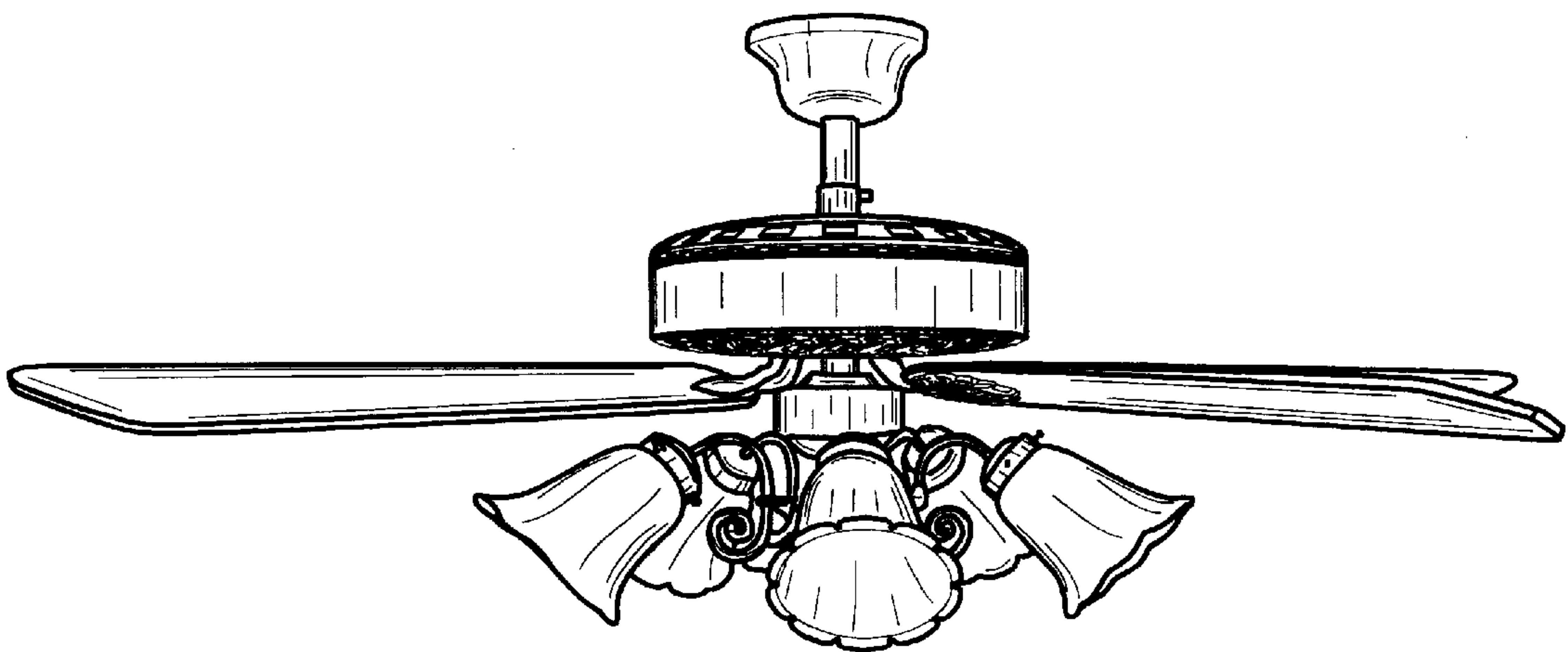


FIG. 2

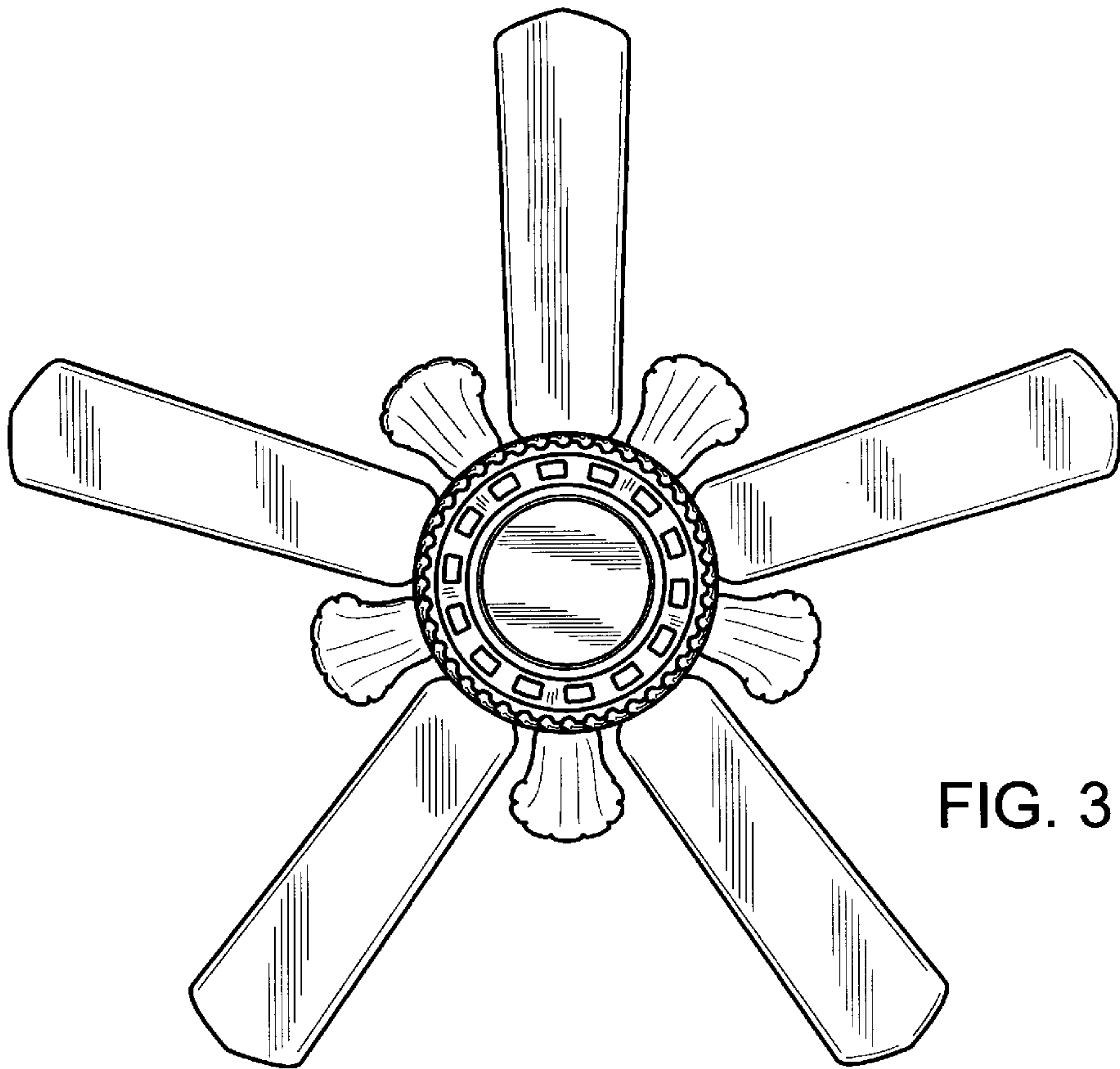


FIG. 3

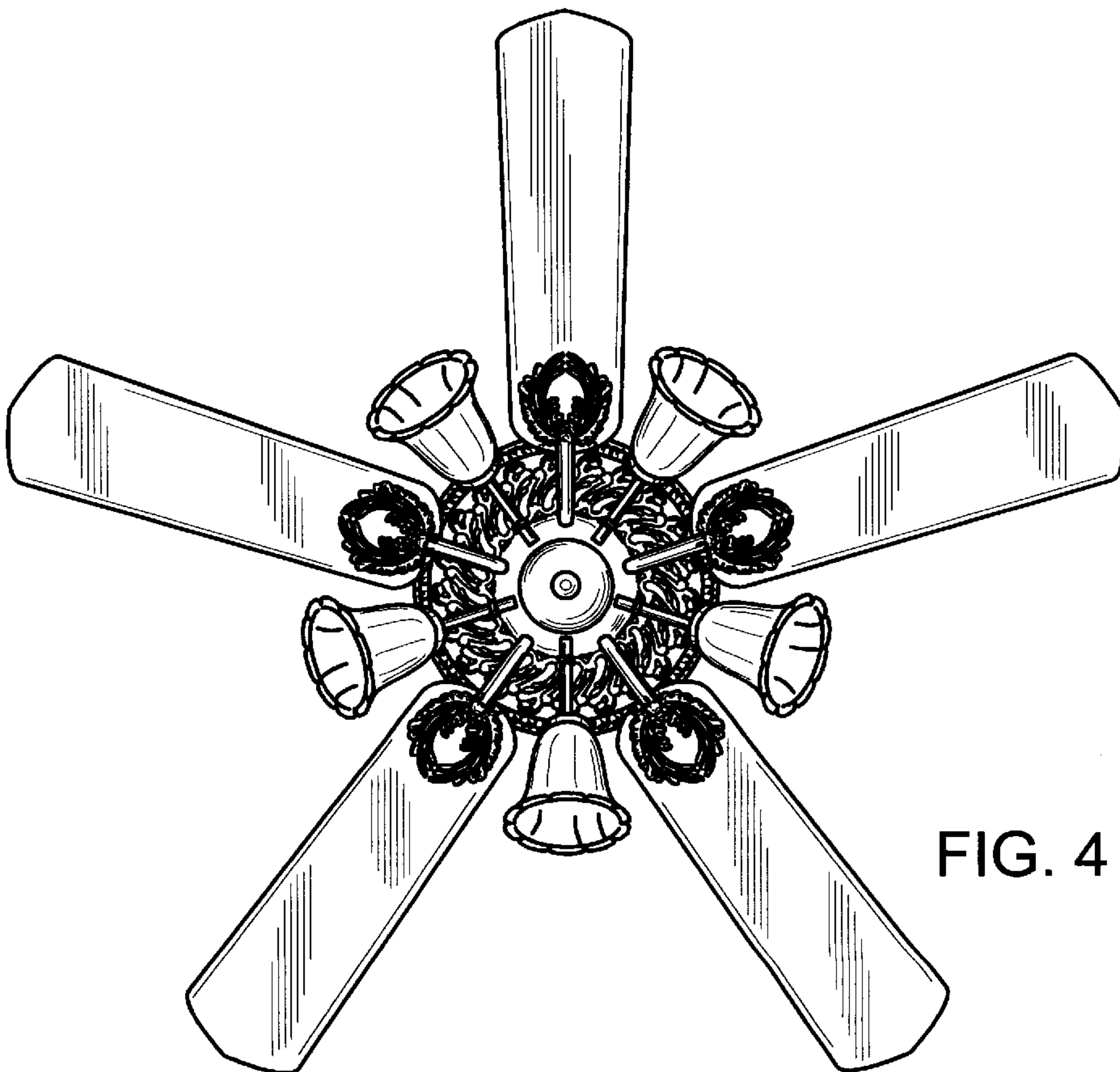


FIG. 4