



US00D418216S

# United States Patent [19] Horng

[11] **Patent Number: Des. 418,216**

[45] **Date of Patent: \*\* Dec. 28, 1999**

[54] **HEAT DISSIPATION FAN**

[75] Inventor: **Alex Horng**, Kaohsiung, Taiwan

[73] Assignee: **Sunonwealth Electric Machine Industry Co., Ltd.**, Taiwan

[\*\*] Term: **14 Years**

[21] Appl. No.: **29/077,610**

[22] Filed: **Oct. 7, 1997**

[51] **LOC (6) Cl.** ..... **23-04**

[52] **U.S. Cl.** ..... **D23/370; D14/114**

[58] **Field of Search** ..... **D23/370, 379;**  
415/176, 177, 178, 211.2; 361/697, 695;  
165/80.3, 121; D14/114

[56] **References Cited**

**U.S. PATENT DOCUMENTS**

5,287,009	2/1994	Heng	361/695
5,638,895	6/1997	Dodson	361/697
5,689,404	11/1997	Katsui	361/697
5,690,468	11/1997	Hong	361/697

**FOREIGN PATENT DOCUMENTS**

3408139	9/1985	Germany	361/695
---------	--------	---------	---------

*Primary Examiner*—Lisa Lichtenstein  
*Attorney, Agent, or Firm*—Pillsbury Madison & Sutro LLP

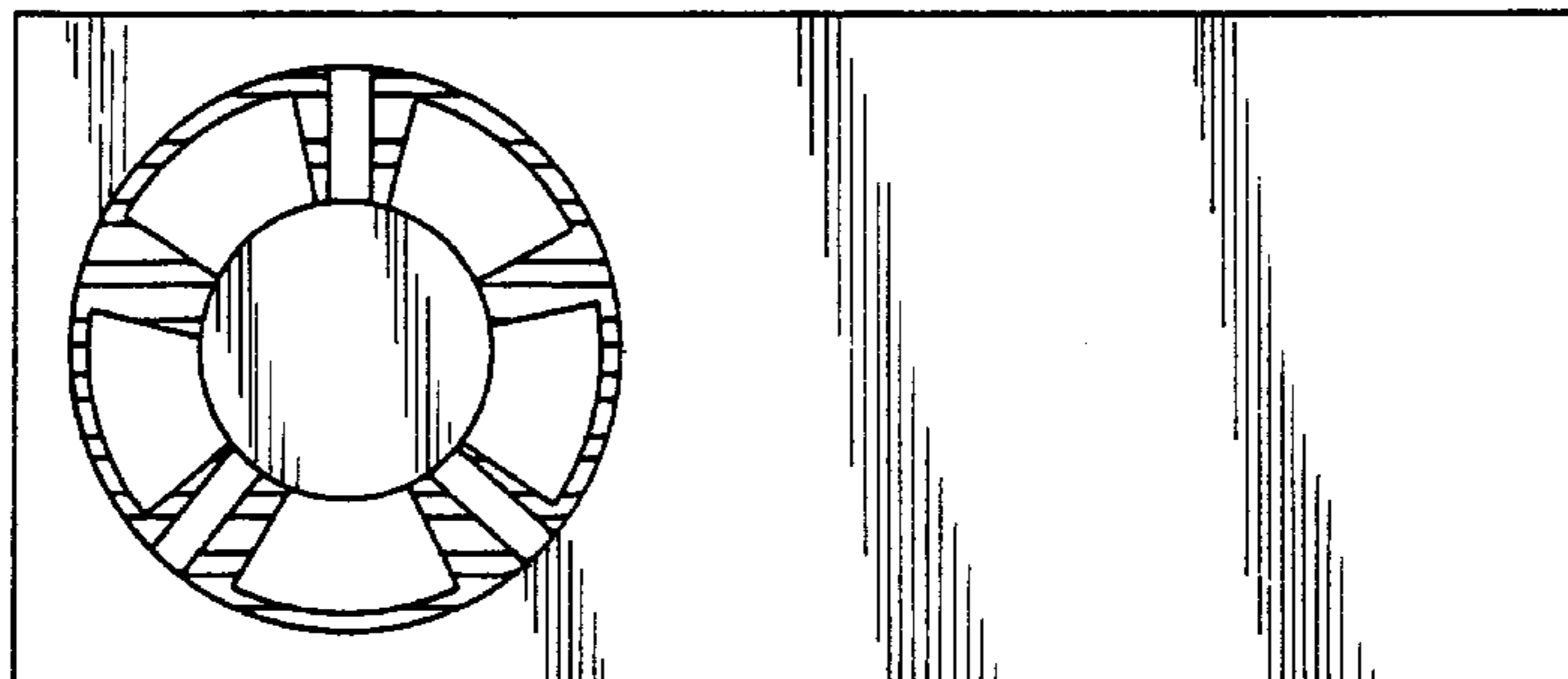
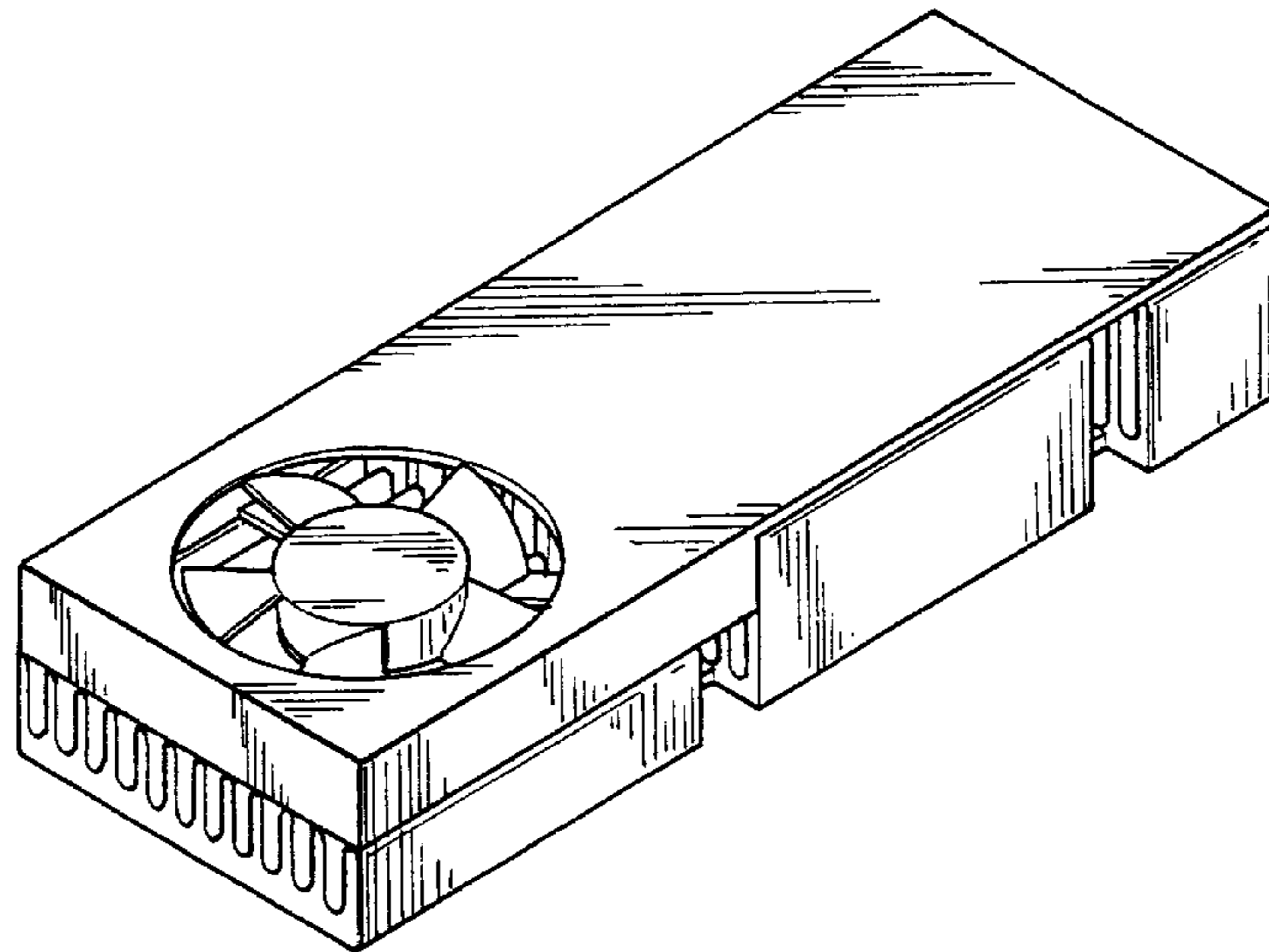
[57] **CLAIM**

The ornamental design for a heat dissipation fan, as shown and described.

**DESCRIPTION**

FIG. 1 is a perspective view of the heat dissipation fan in accordance with the first embodiment of the claimed design; FIG. 2 is a top plan view thereof; FIG. 3 is a right side elevational view thereof; FIG. 4 is a front elevational view thereof; FIG. 5 is a rear elevational view thereof; FIG. 6 is a left side elevational view thereof; FIG. 7 is a bottom plan view thereof; FIG. 8 is a perspective view of the heat dissipation fan in accordance with the second embodiment of the claimed design; FIG. 9 is a top plan view of FIG. 8; FIG. 10 is a right side elevational view of FIG. 8; FIG. 11 is a front elevational view of FIG. 8; FIG. 12 is a rear elevational view of FIG. 8; FIG. 13 is a left side elevational view of FIG. 8; and, FIG. 14 is a bottom plan view of FIG. 8.

**1 Claim, 8 Drawing Sheets**



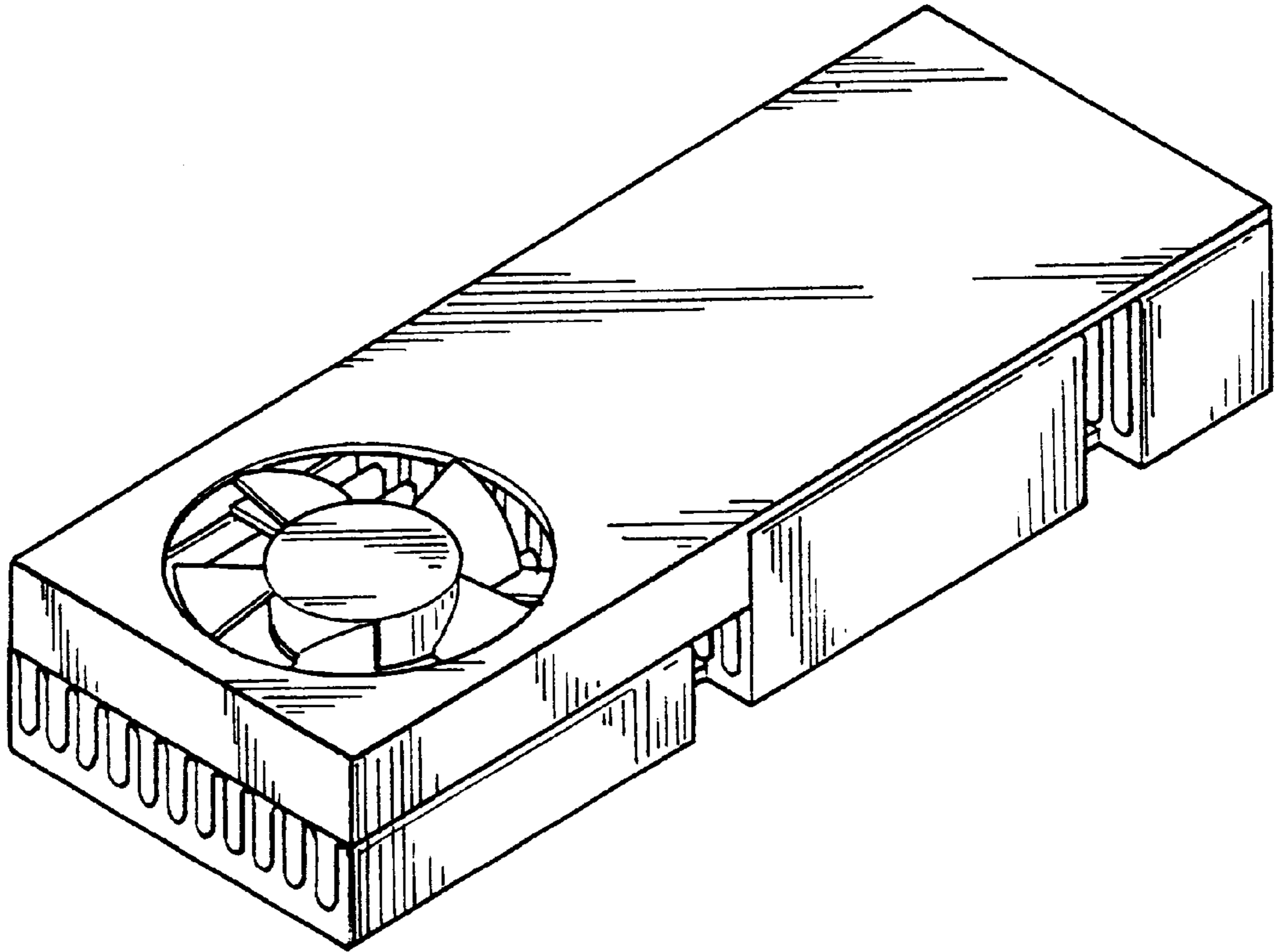


FIG.1

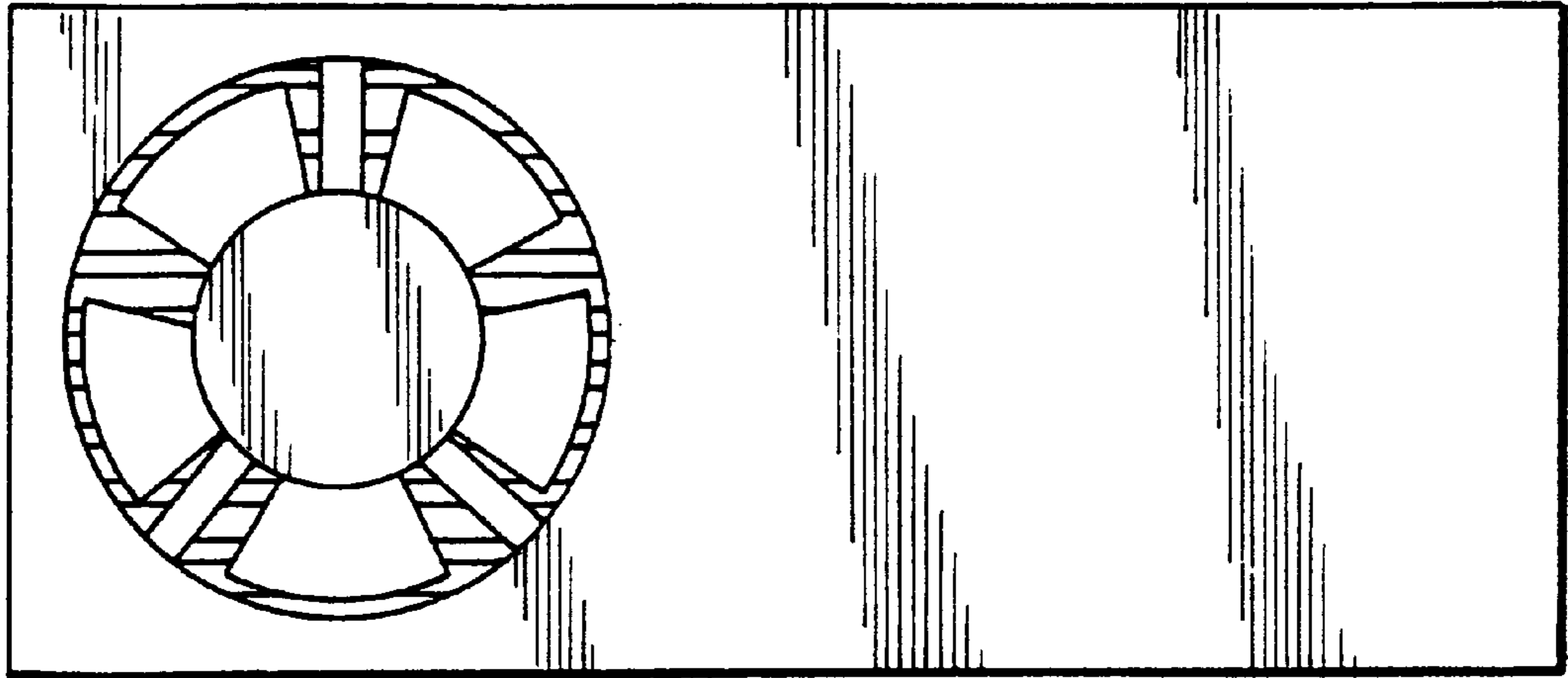


FIG. 2

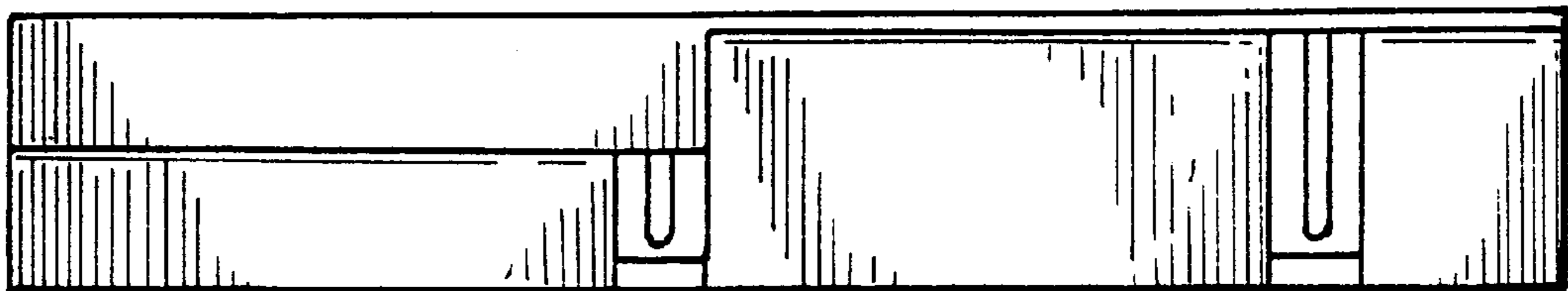


FIG. 3

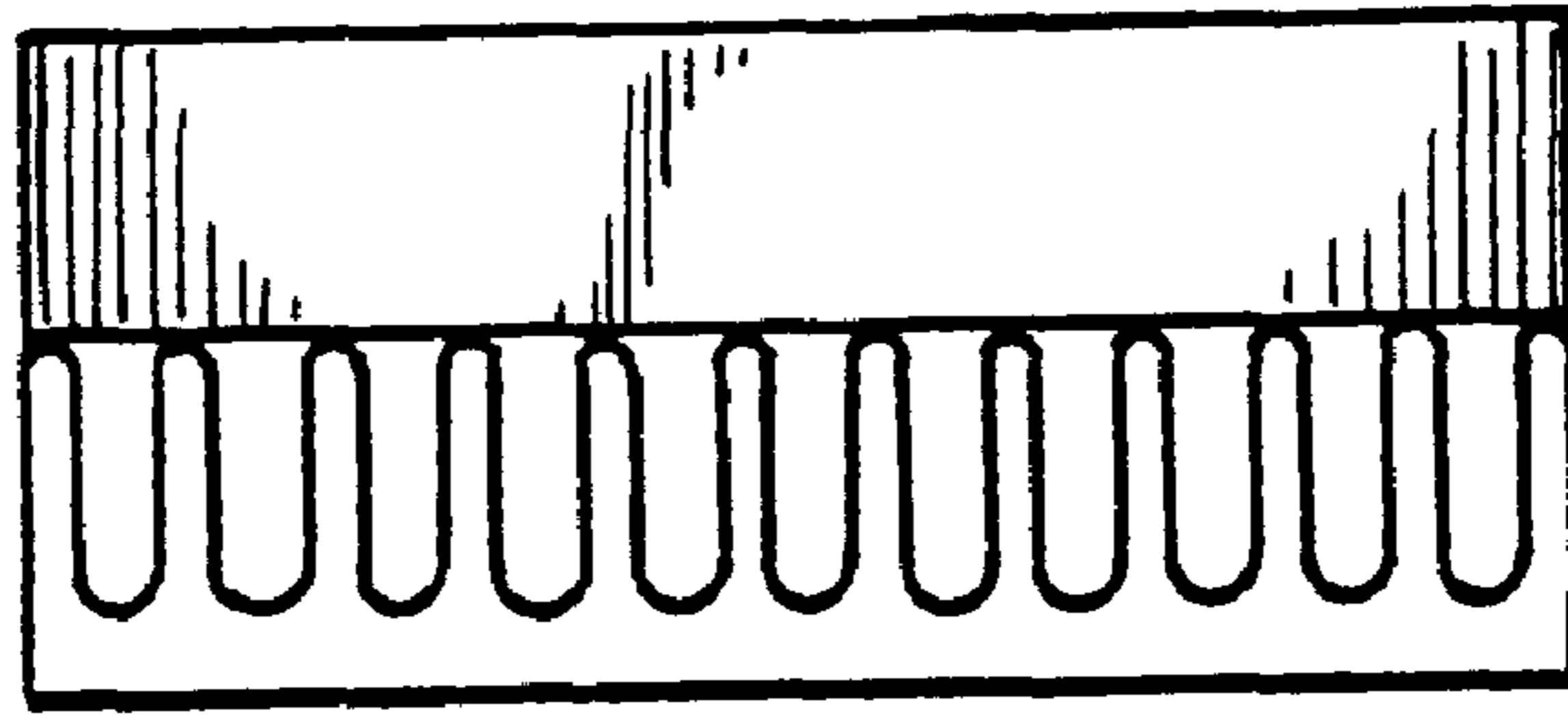


FIG. 4

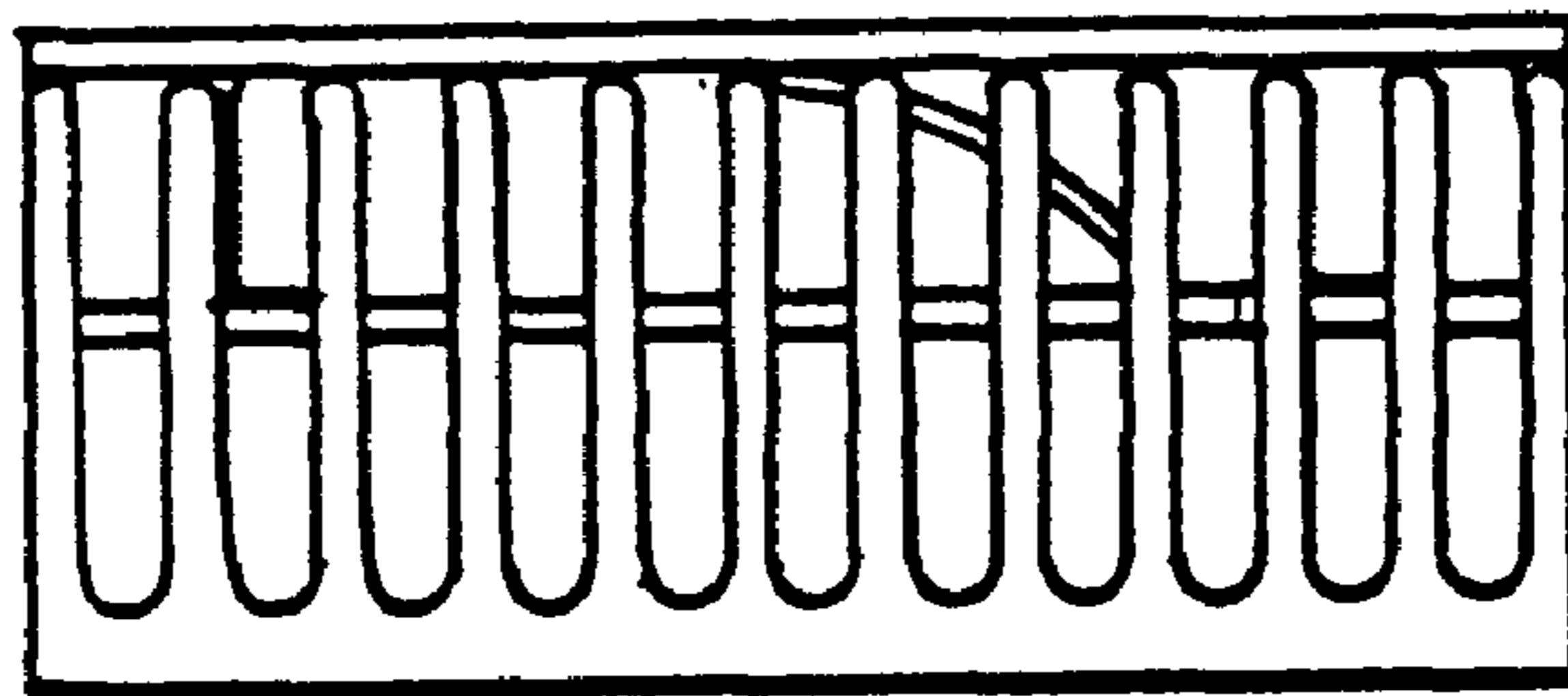


FIG. 5

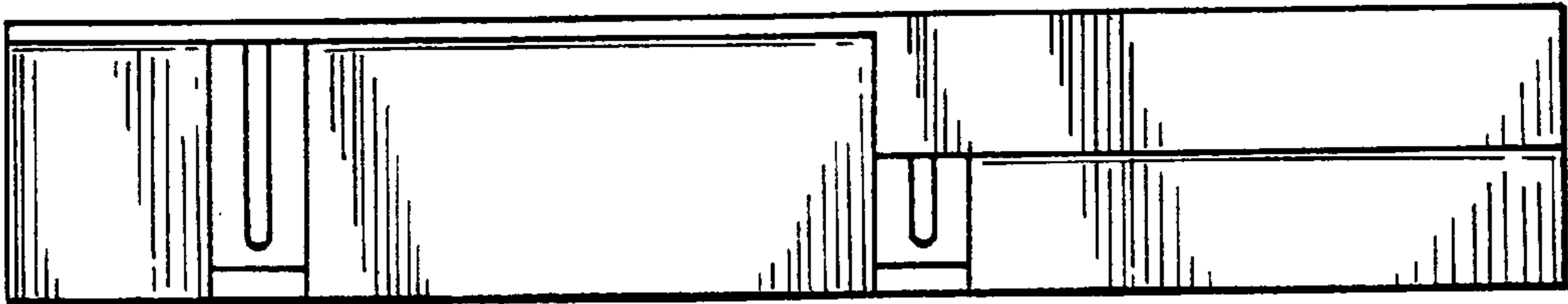


FIG. 6

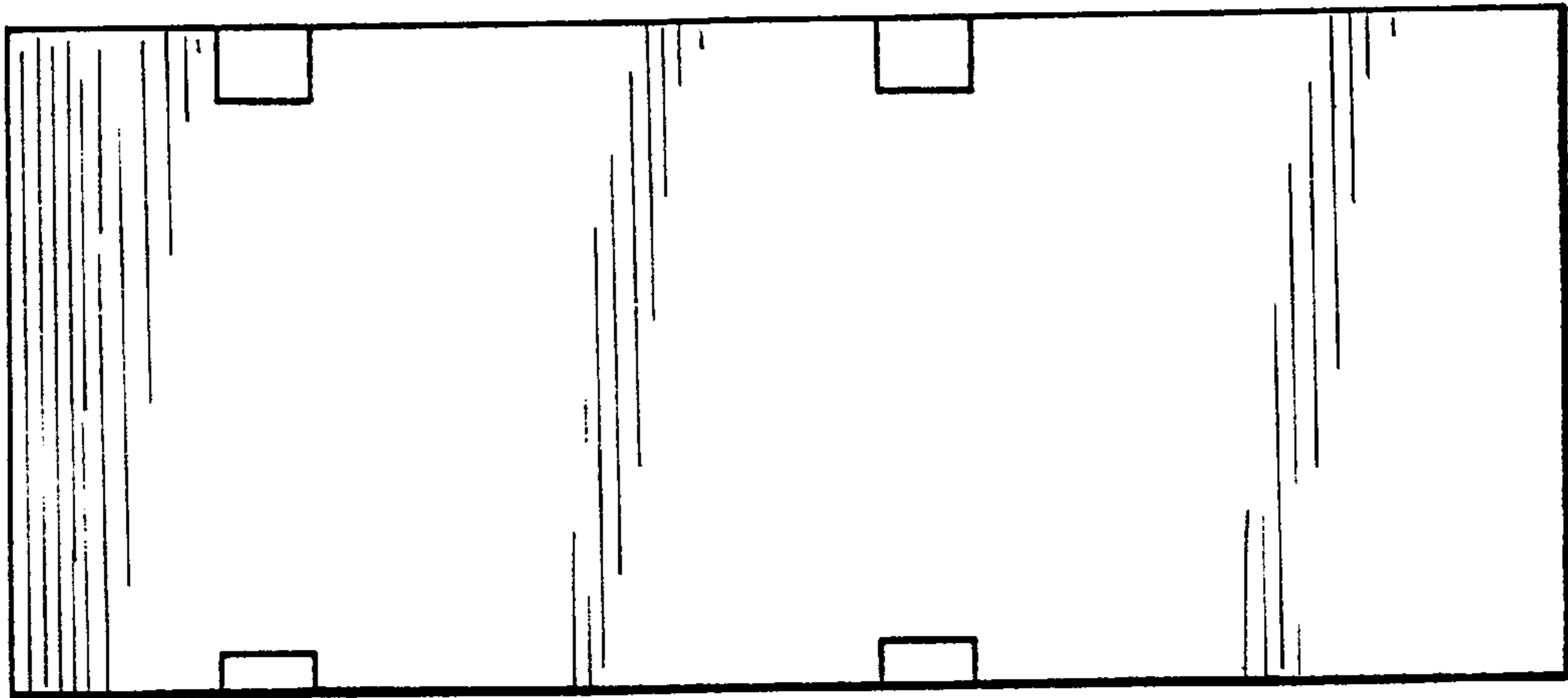


FIG. 7

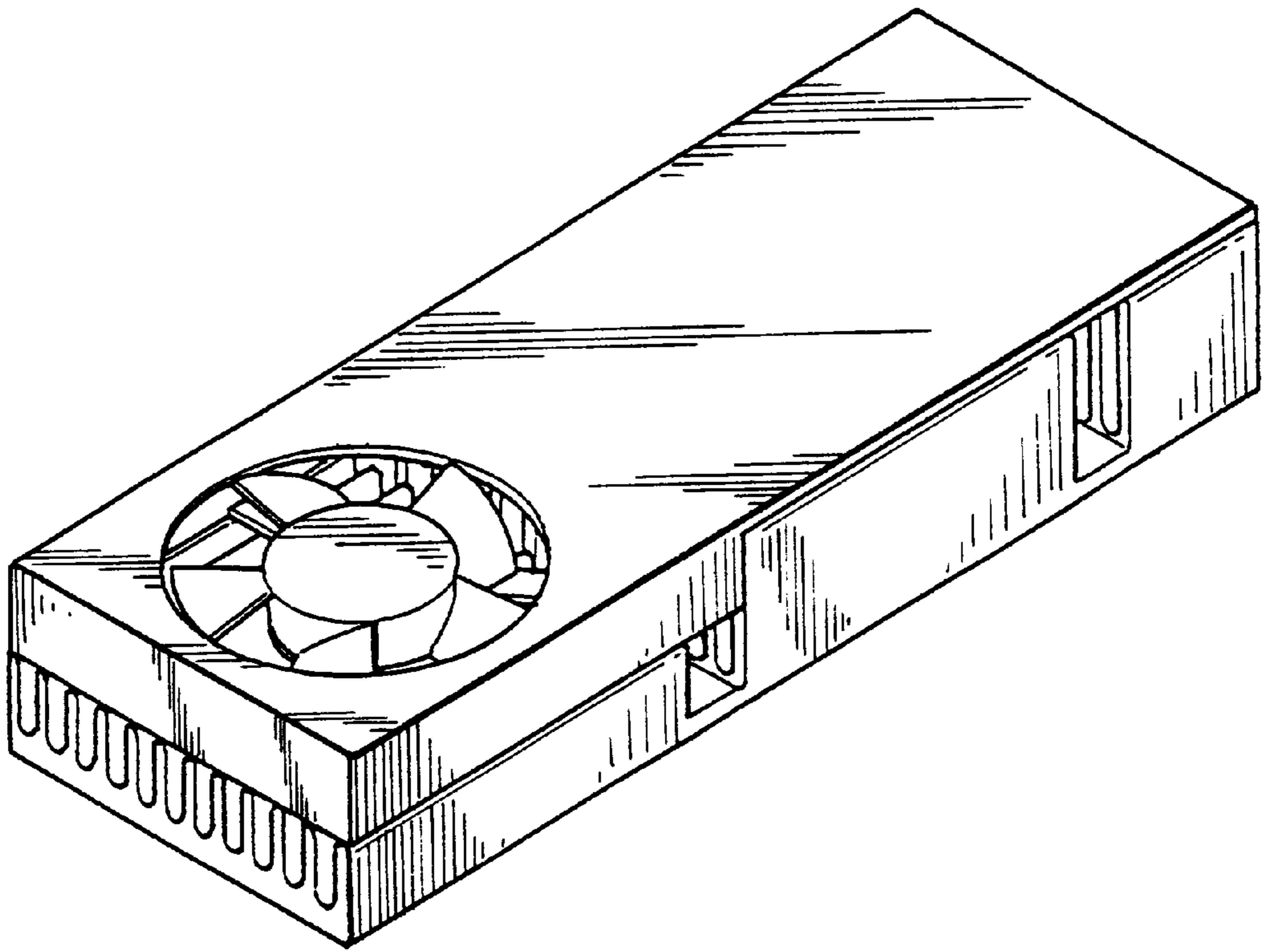


FIG.8

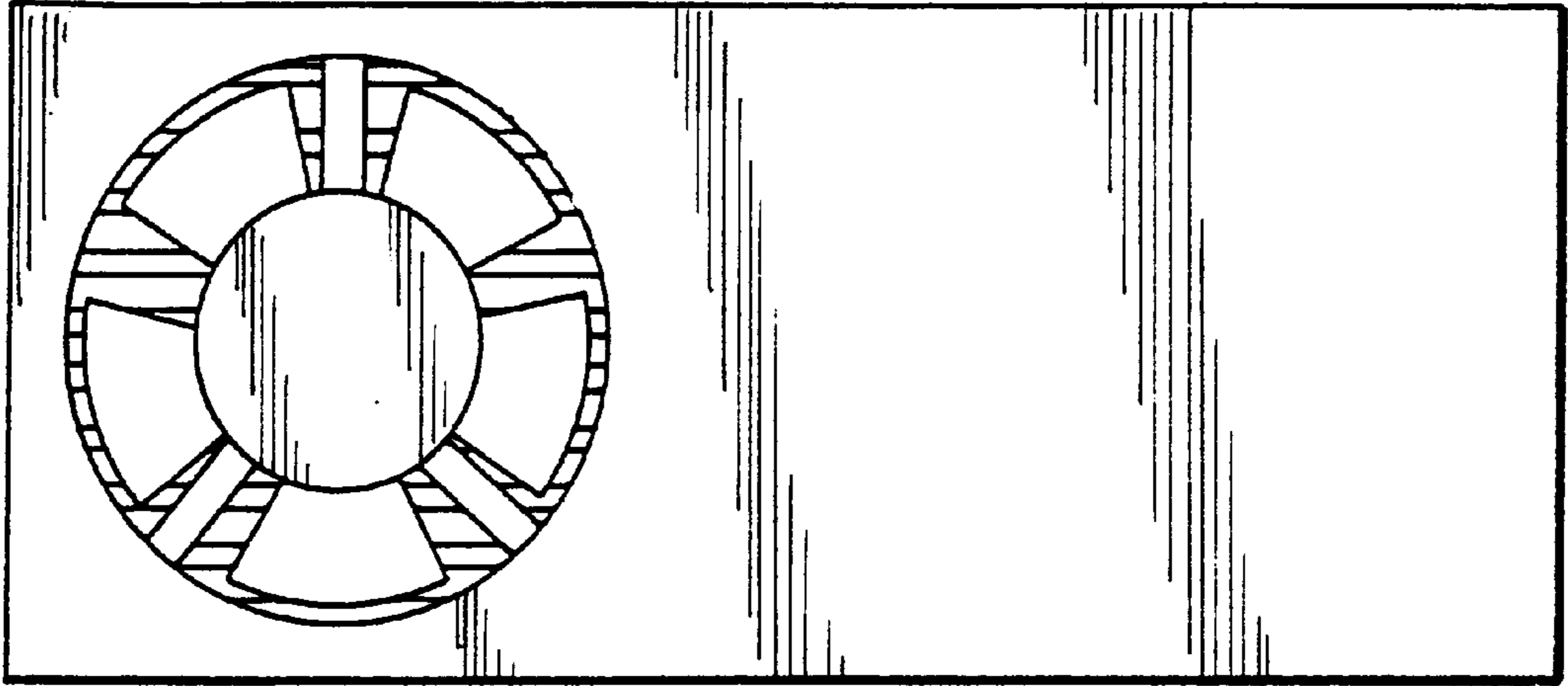


FIG. 9

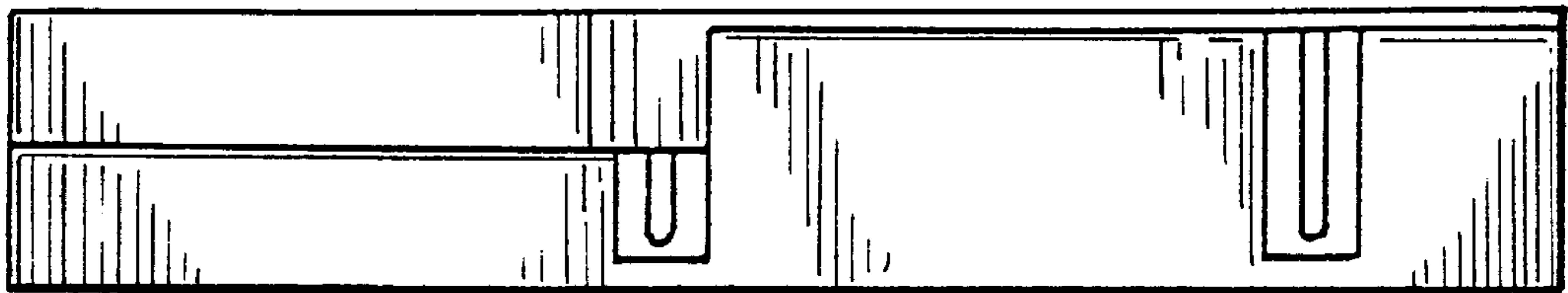


FIG. 10

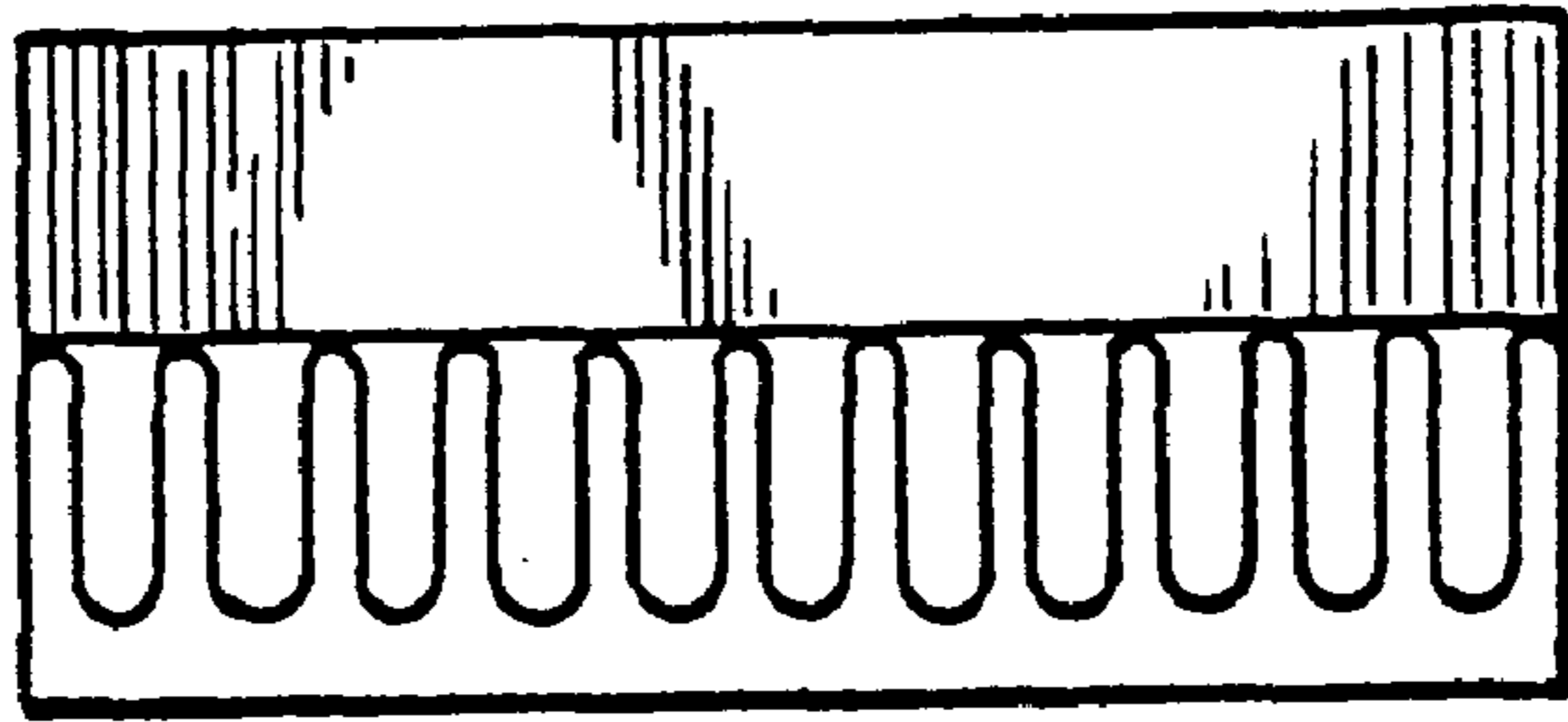


FIG. 11

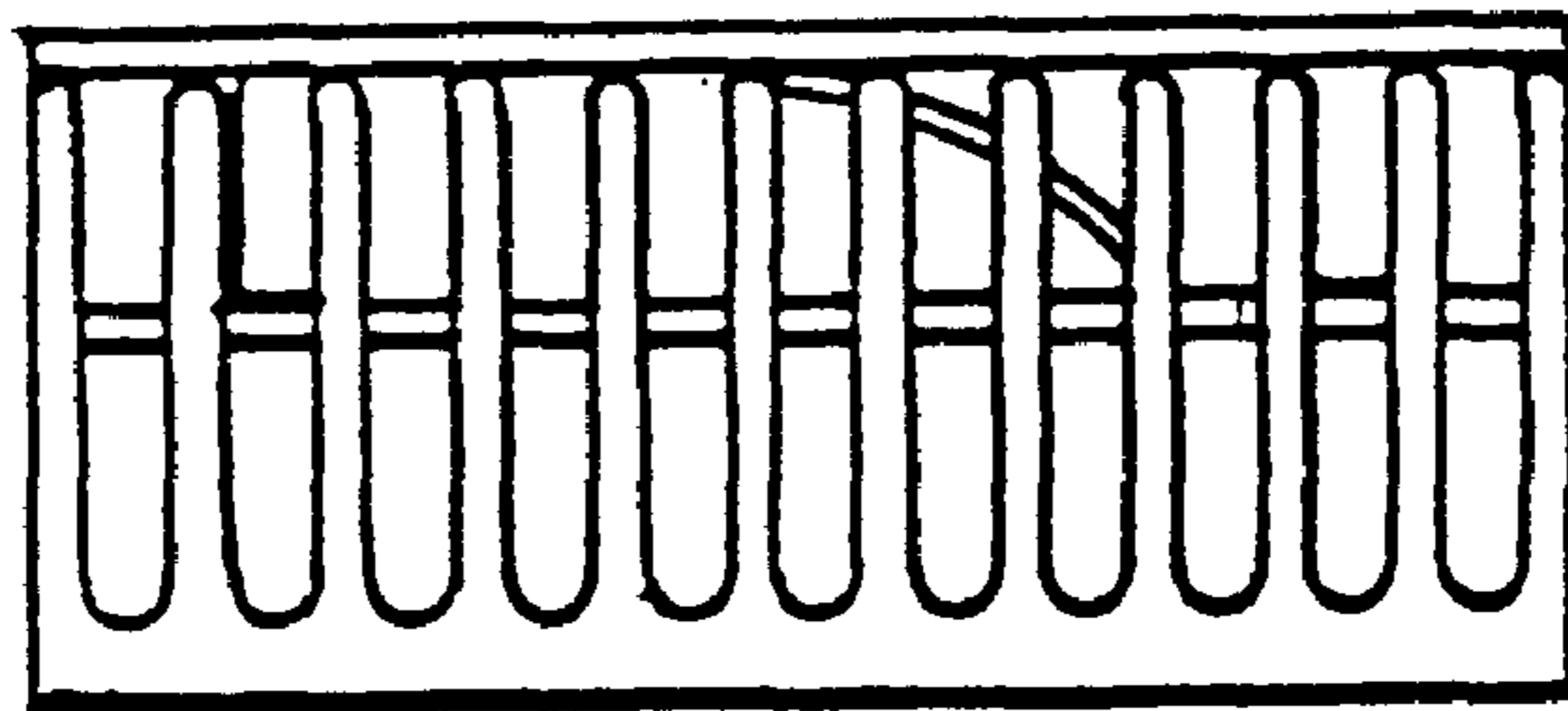


FIG. 12



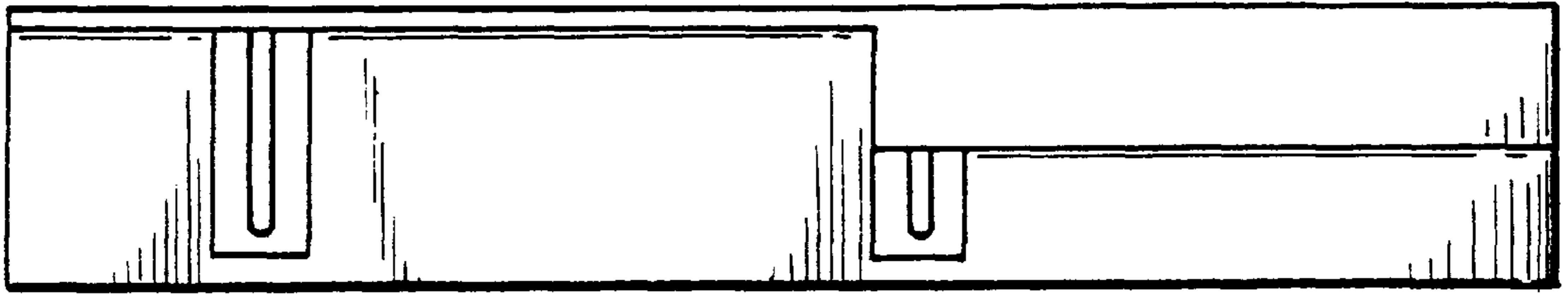


FIG. 13

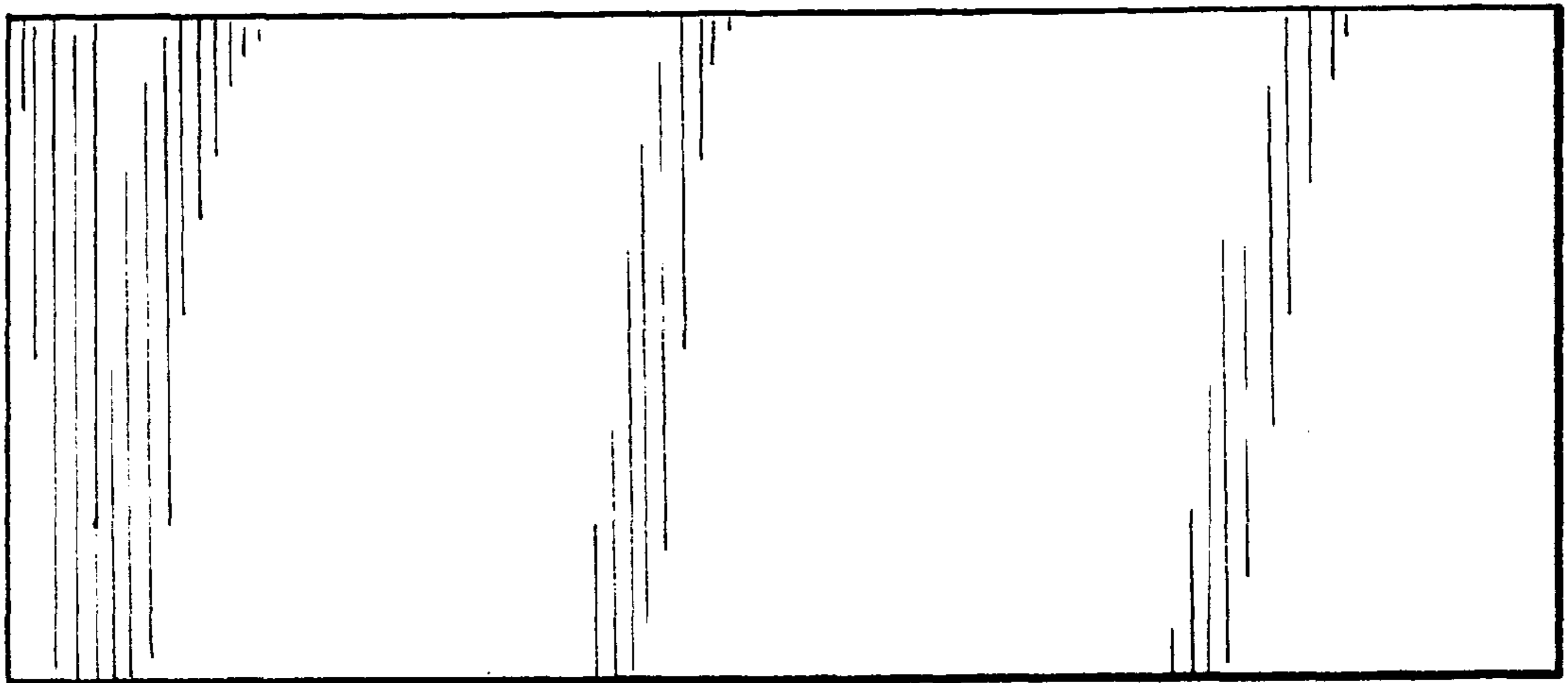


FIG. 14