



US00D418213S

United States Patent [19]
Colandro

[11] **Patent Number: Des. 418,213**

[45] **Date of Patent: ** Dec. 28, 1999**

[54] **ELECTRIC FRAGRANCE DISPENSER FOR INSERTION IN A VEHICLE CIGARETTE LIGHTER SOCKET**

[76] Inventor: **Anthony Colandro**, 5530 Chrishire Way #107, Orlando, Fla. 32822

[**] Term: **14 Years**

[21] Appl. No.: **29/095,571**

[22] Filed: **Oct. 26, 1998**

[51] **LOC (6) Cl.** **23-04**

[52] **U.S. Cl.** **D23/366**

[58] **Field of Search** D23/366-369;
392/390, 404, 405, 406; D13/144; 261/DIG. 65;
422/123, 125, 4

[56] **References Cited**

U.S. PATENT DOCUMENTS

D. 390,939 2/1998 Colandro D23/366

D. 401,222 10/1998 LeBlanc D13/144

Primary Examiner—Lisa Lichtenstein

[57] **CLAIM**

The ornamental design for an electric fragrance dispenser for insertion in a vehicle cigarette lighter socket, as shown.

DESCRIPTION

FIG. 1 is a perspective view of an electric fragrance dispenser for insertion in a vehicle cigarette lighter socket showing my new design;

FIG. 2 is a top plan view thereof;

FIG. 3 is a bottom plan view thereof;

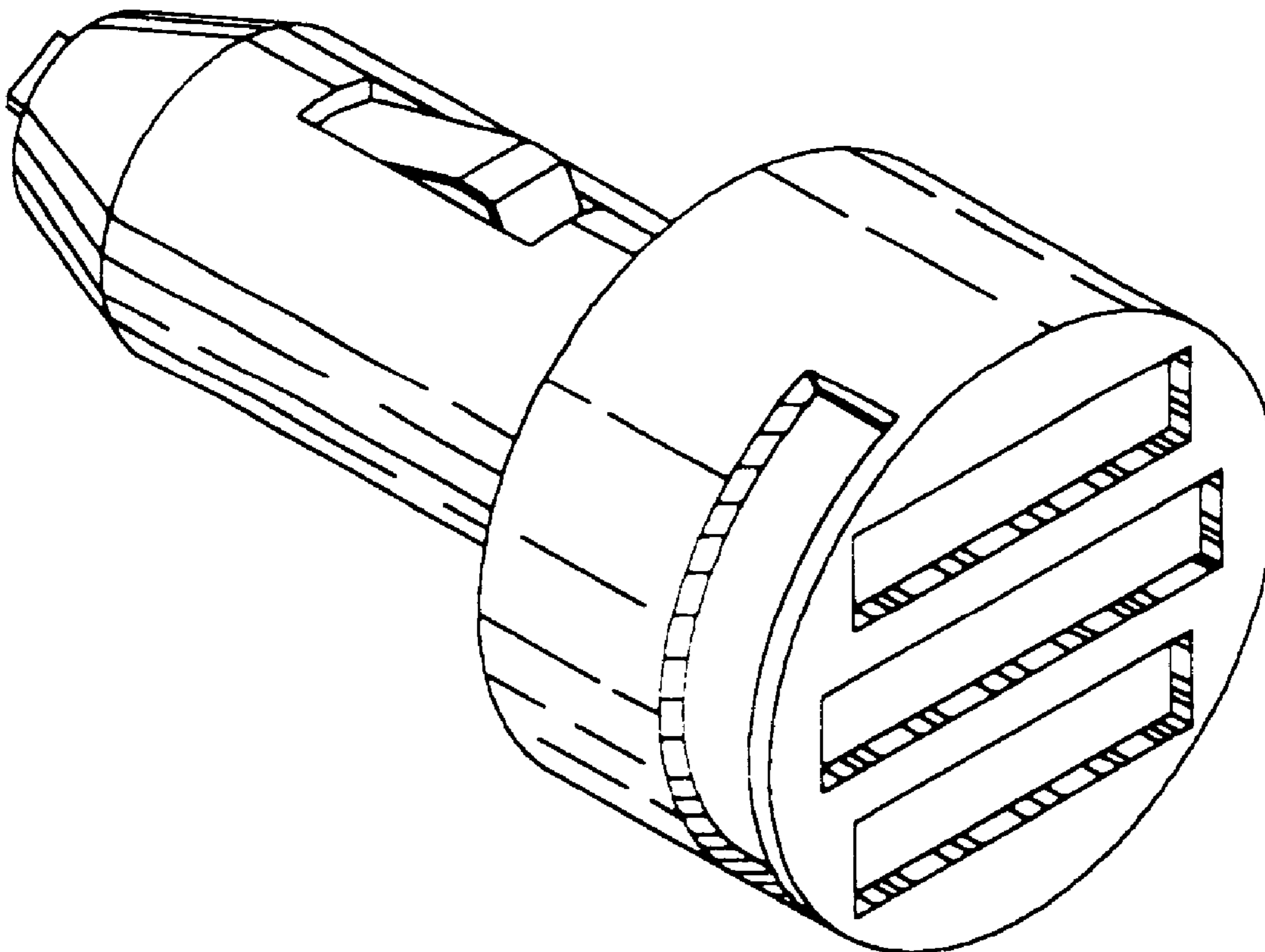
FIG. 4 is a right side elevational view thereof;

FIG. 5 is a left side elevational view thereof;

FIG. 6 is a front elevational view thereof; and,

FIG. 7 is a rear elevational view thereof.

1 Claim, 2 Drawing Sheets



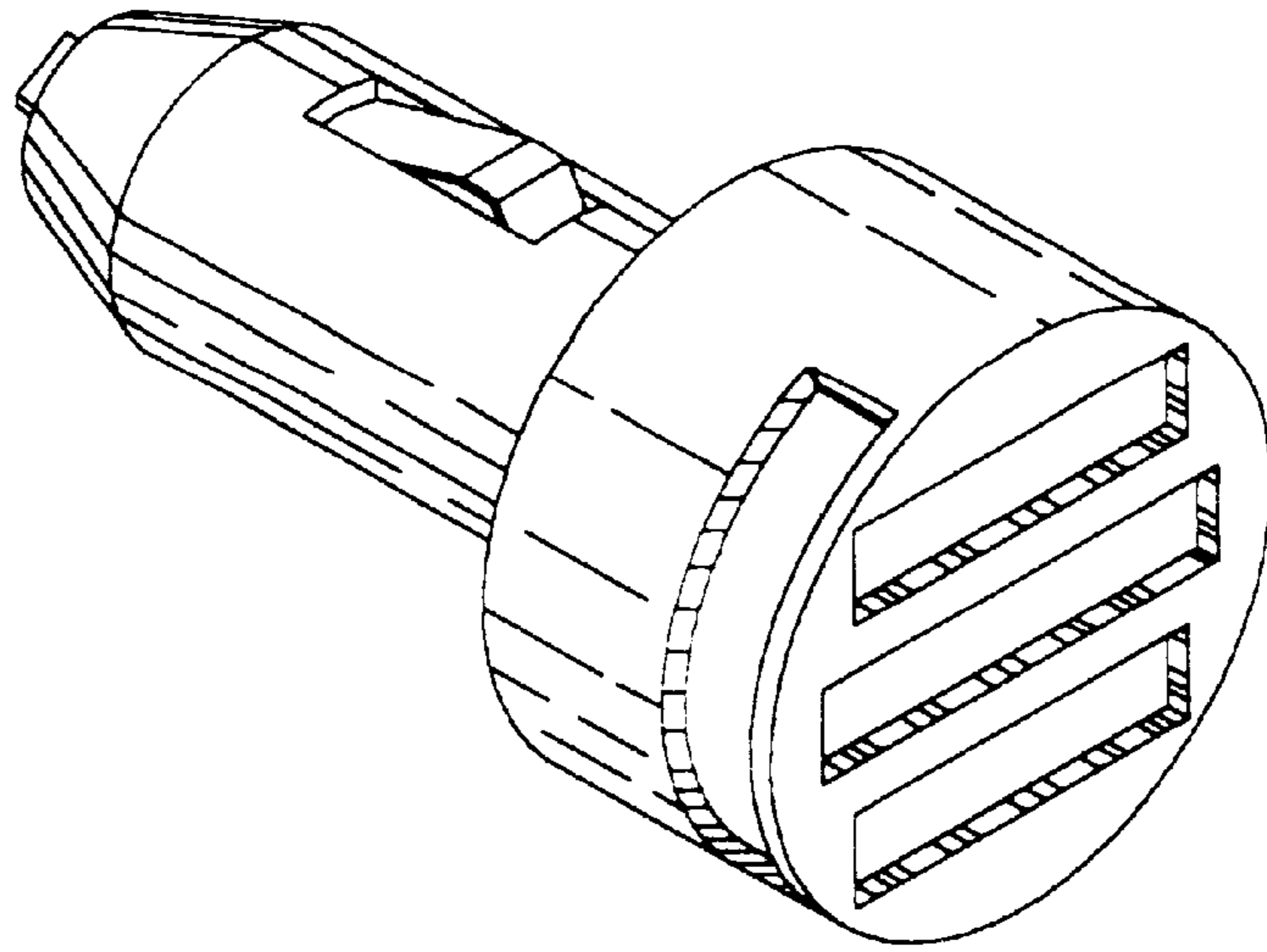


FIG 1

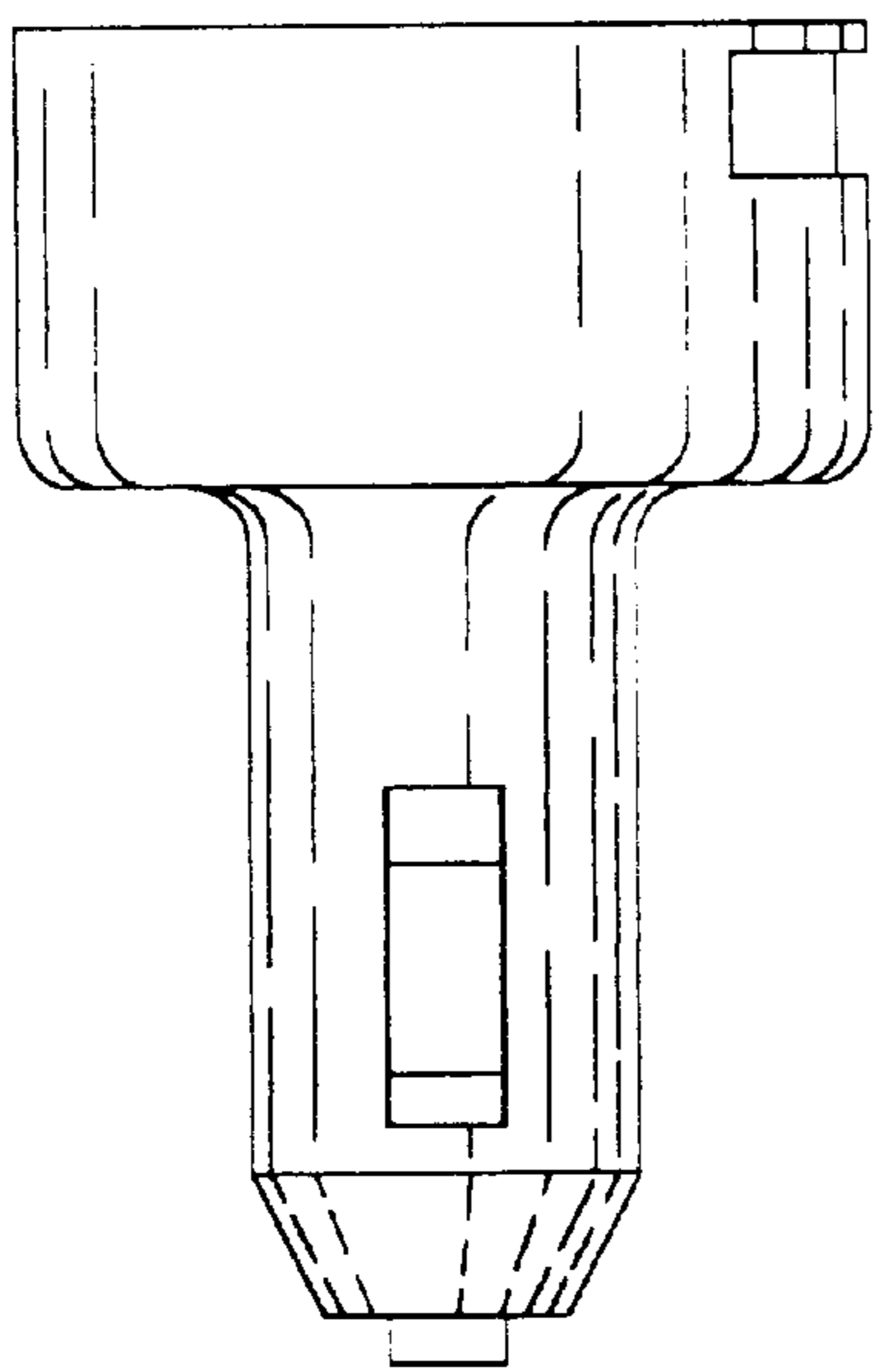


FIG 2

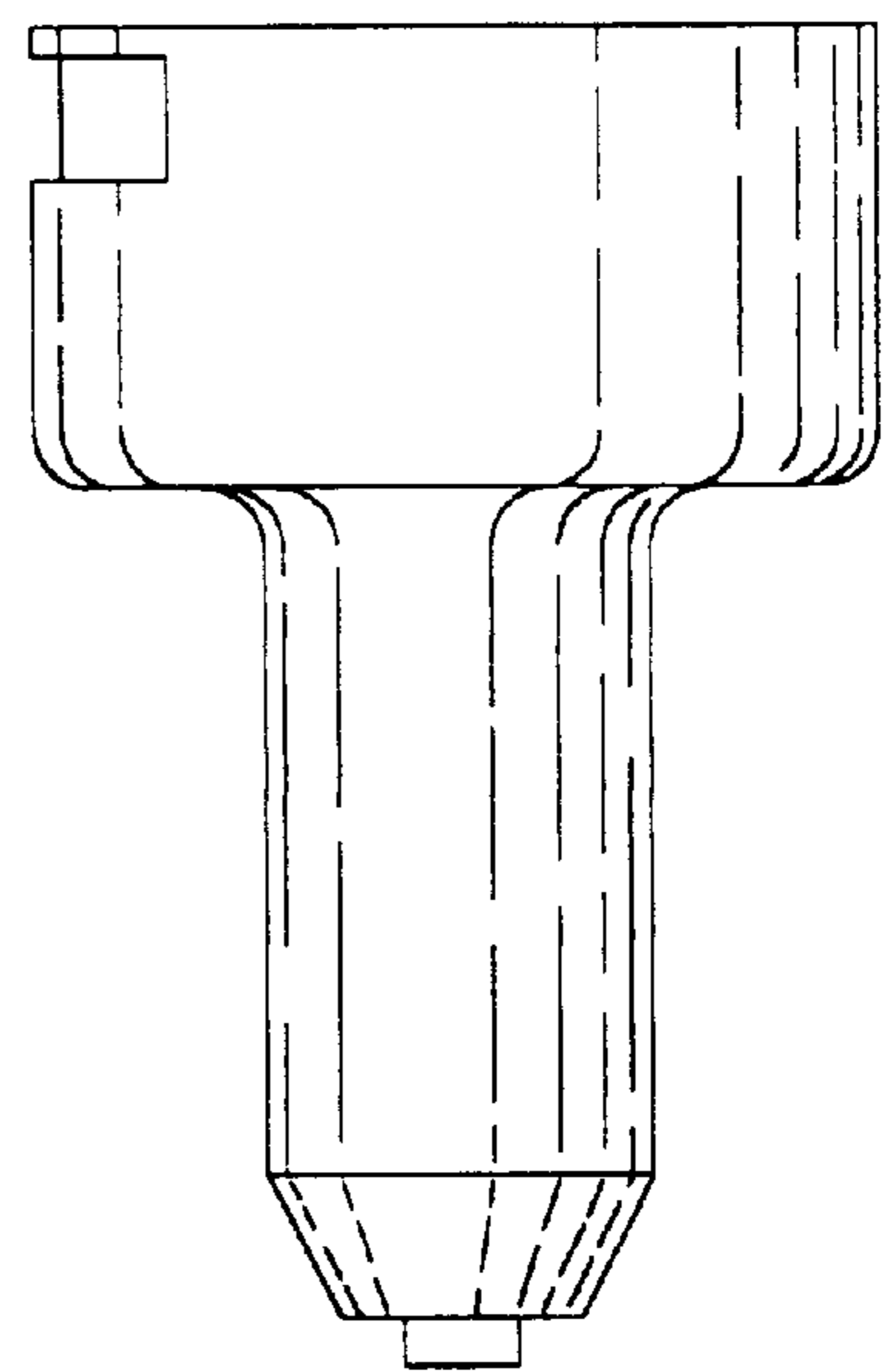


FIG 3

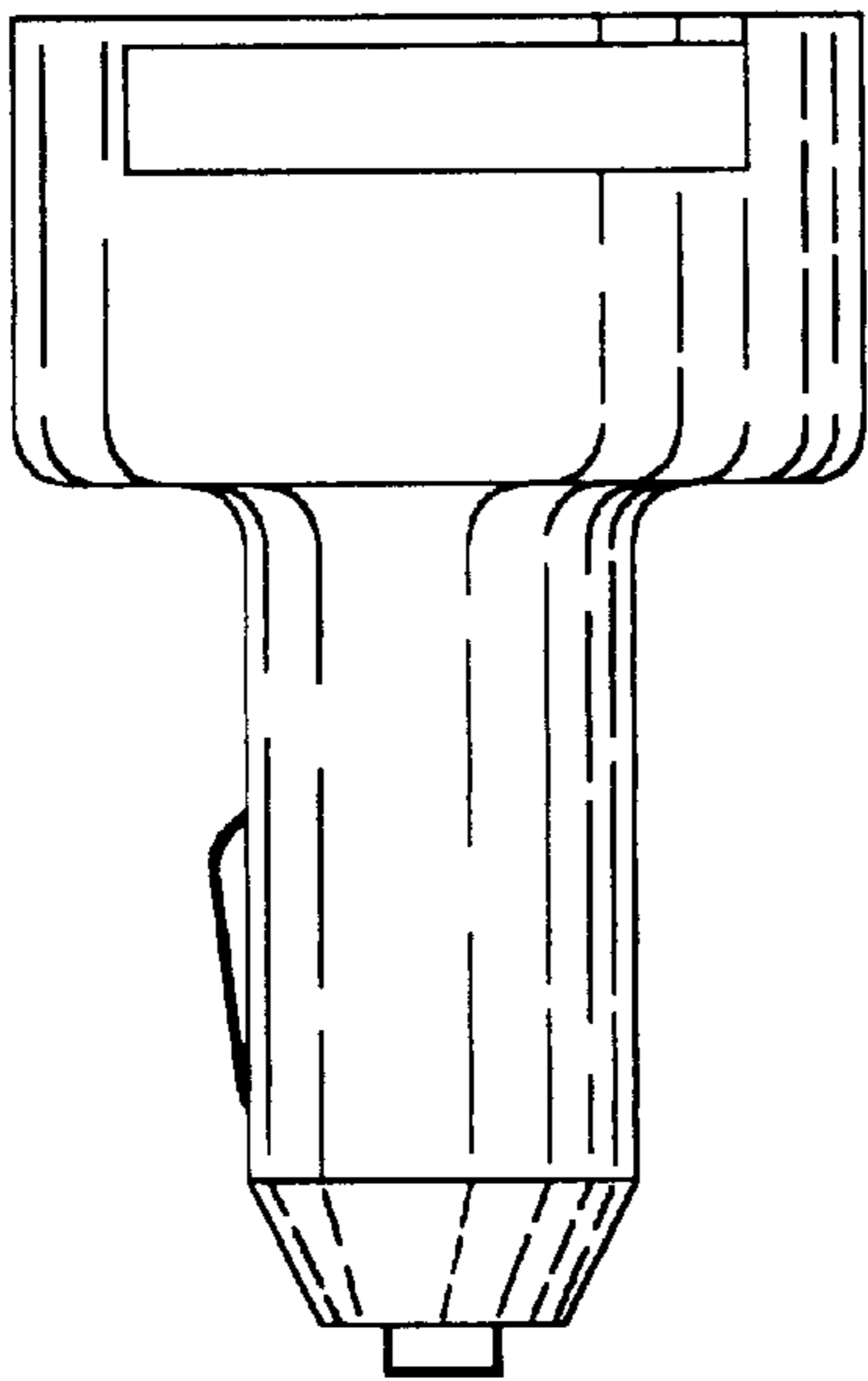


FIG 4

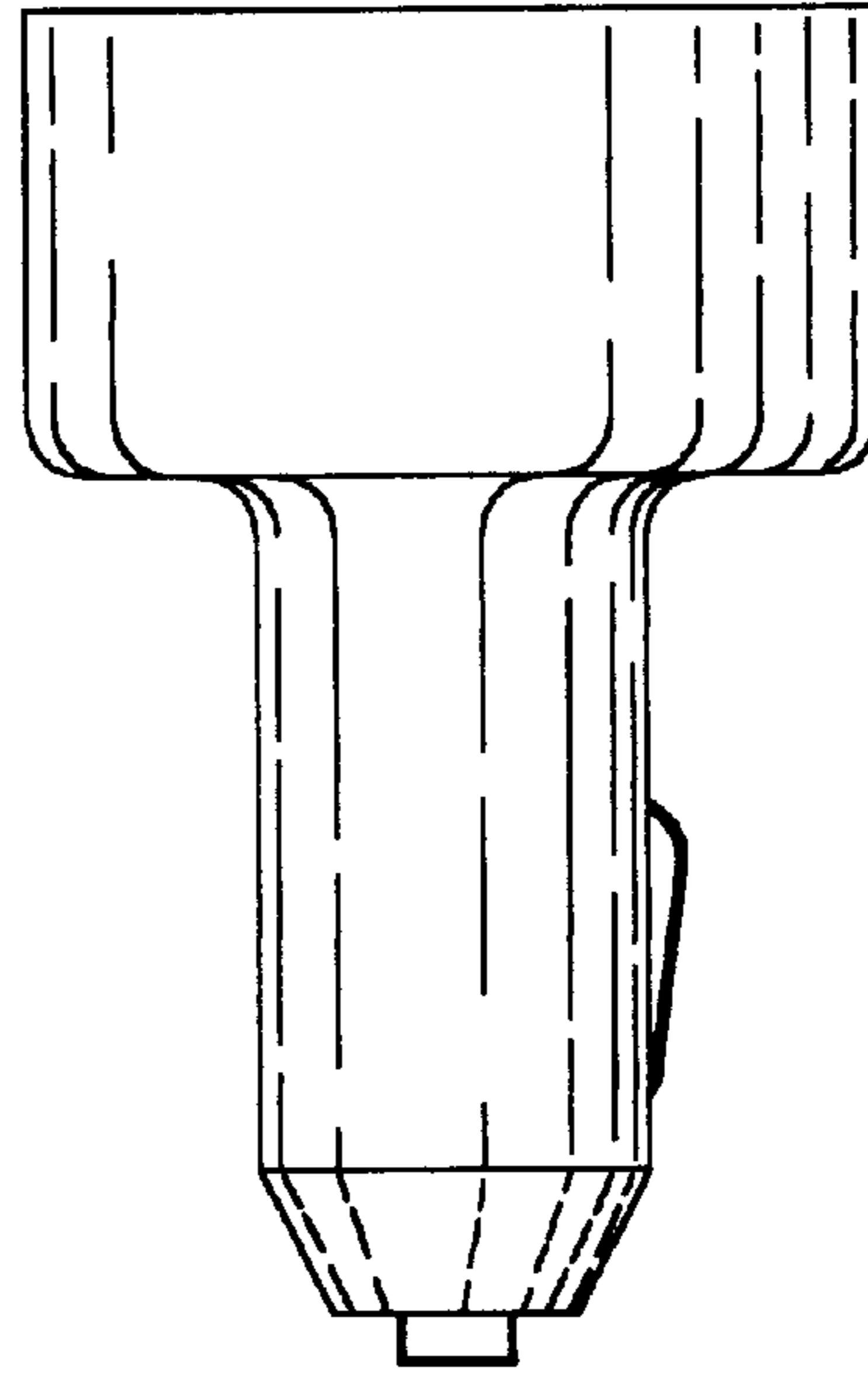


FIG 5

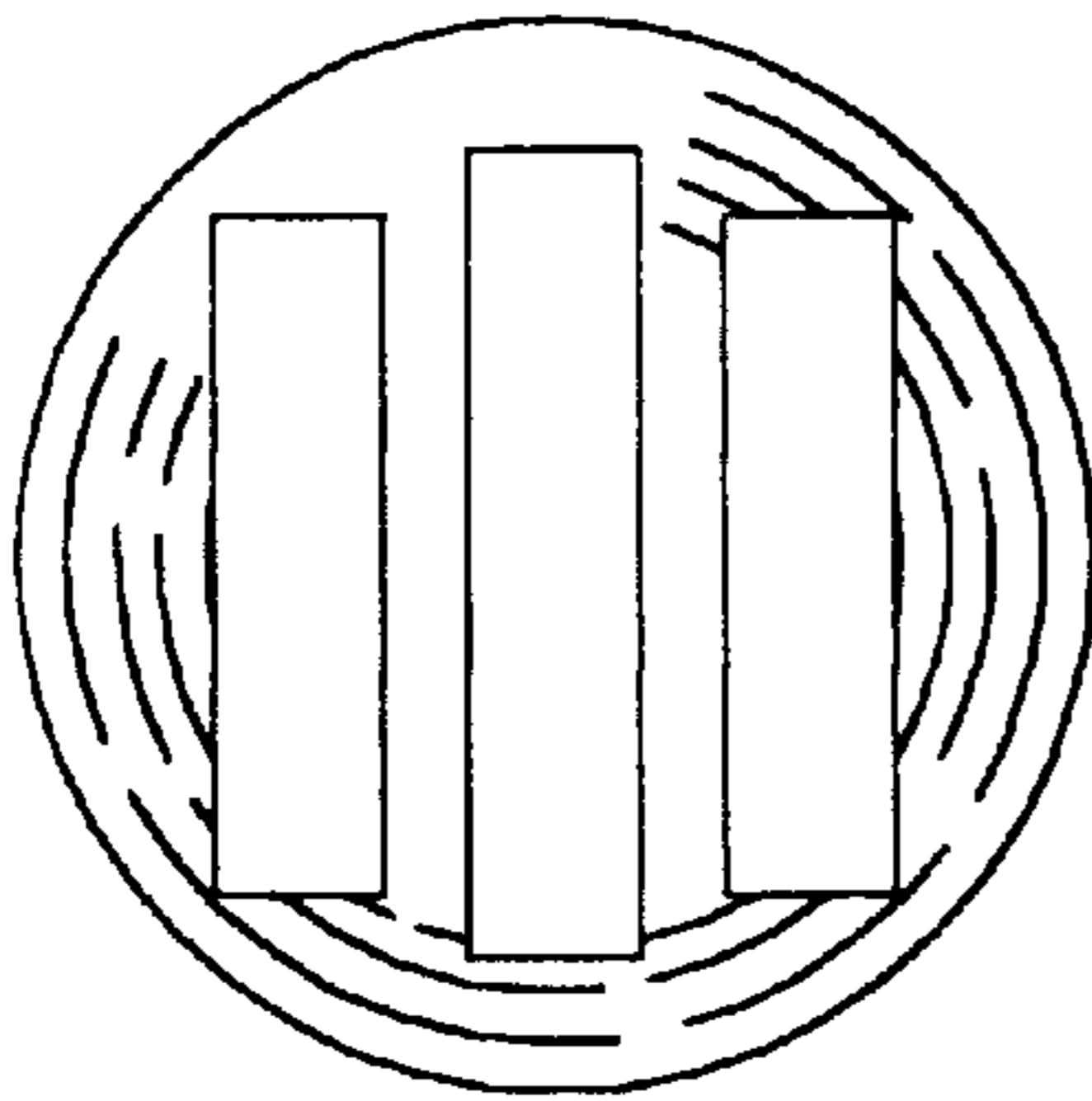


FIG 6

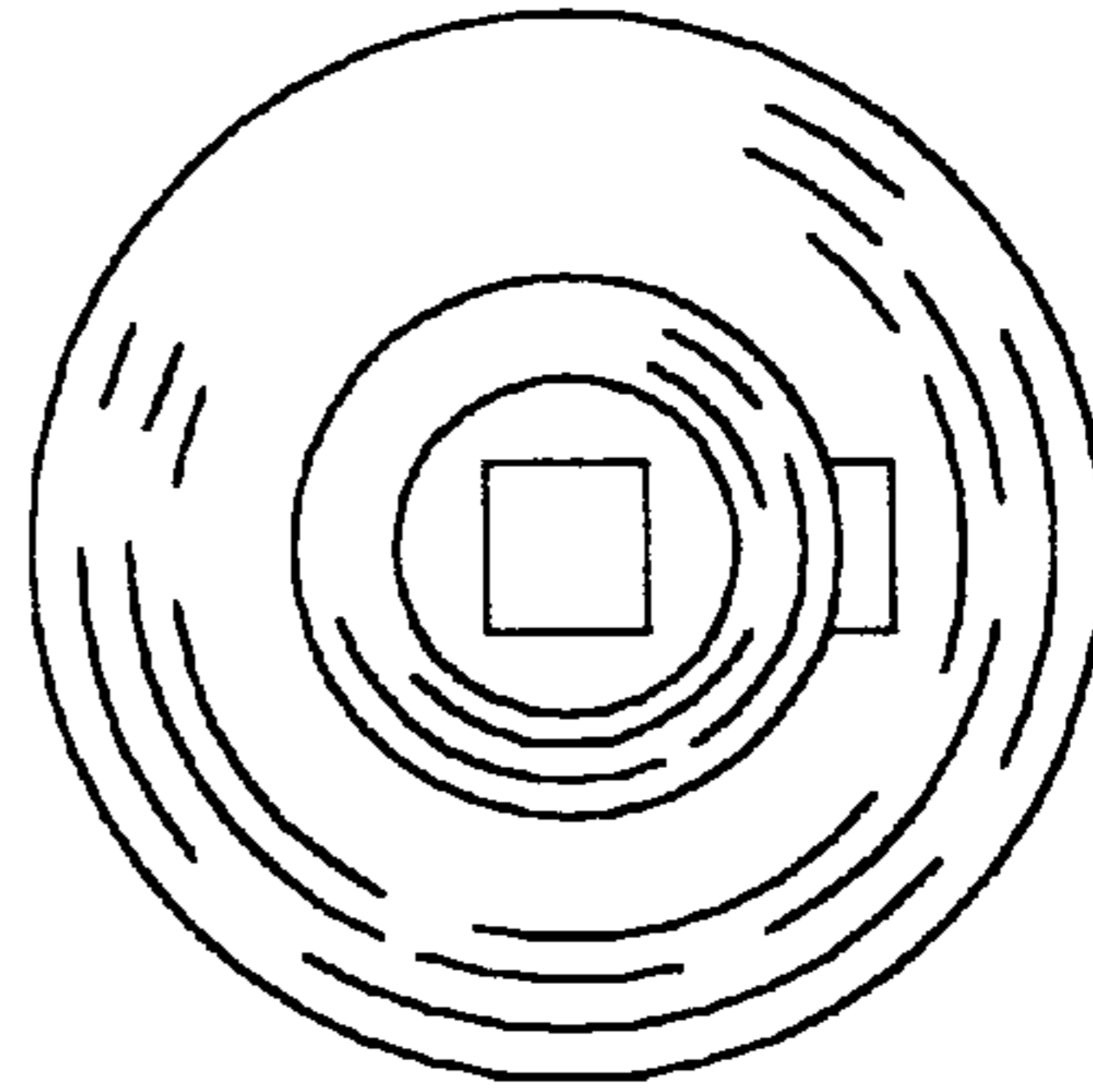


FIG 7