



US00D418211S

United States Patent [19] Lundin

[11] **Patent Number: Des. 418,211**

[45] **Date of Patent: ** Dec. 28, 1999**

[54] **HEATING DEVICE**

[75] Inventor: **Kenneth Lundin**, Vanersborg, Sweden

[73] Assignee: **Infrarödteknik AB**, Vänersborg, Sweden

[**] Term: **14 Years**

[21] Appl. No.: **29/067,218**

[22] Filed: **Feb. 26, 1997**

[30] **Foreign Application Priority Data**

Aug. 30, 1996 [SE] Sweden 96-1804
Aug. 30, 1996 [SE] Sweden 961805

[51] **LOC (6) Cl.** **23-03**

[52] **U.S. Cl.** **D23/317; D23/332; D23/335**

[58] **Field of Search** **D23/317, 332, D23/335; 392/415, 413, 412; 34/270**

[56] **References Cited**

U.S. PATENT DOCUMENTS

5,050,232 9/1991 Bergman et al. 392/415

*Primary Examiner—Lisa Lichtenstein
Attorney, Agent, or Firm—Dvorak & Orum*

[57] **CLAIM**

The ornamental design for the heating device, as shown.

DESCRIPTION

FIG. 1 is a front perspective view of the heating device in a raised position;

FIG. 2 is a rear perspective view thereof;

FIG. 3 is a front perspective view in a lowered position;

FIG. 4 is a front perspective view of the heating reflector cassette portion of the heating device, shown separately for clarity of illustration;

FIG. 5 is a rear perspective view of FIG. 4;

FIG. 6 is a front perspective view of the control box portion of the heating device, shown separately for clarity of illustrative;

FIG. 7 is a rear perspective view of FIG. 6;

FIG. 8 is a top view thereof; and,

FIG. 9 is a bottom view thereof.

1 Claim, 7 Drawing Sheets

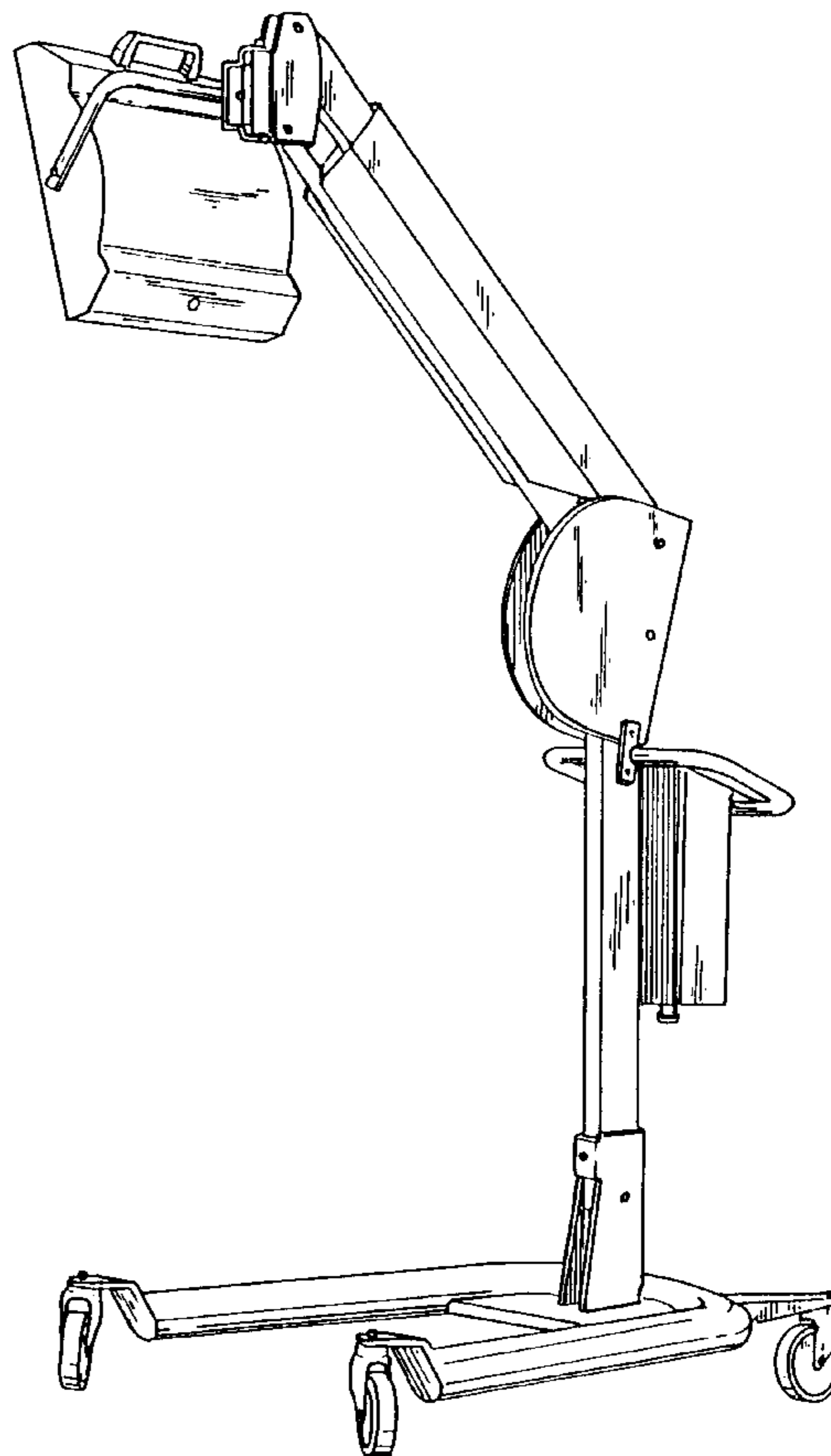
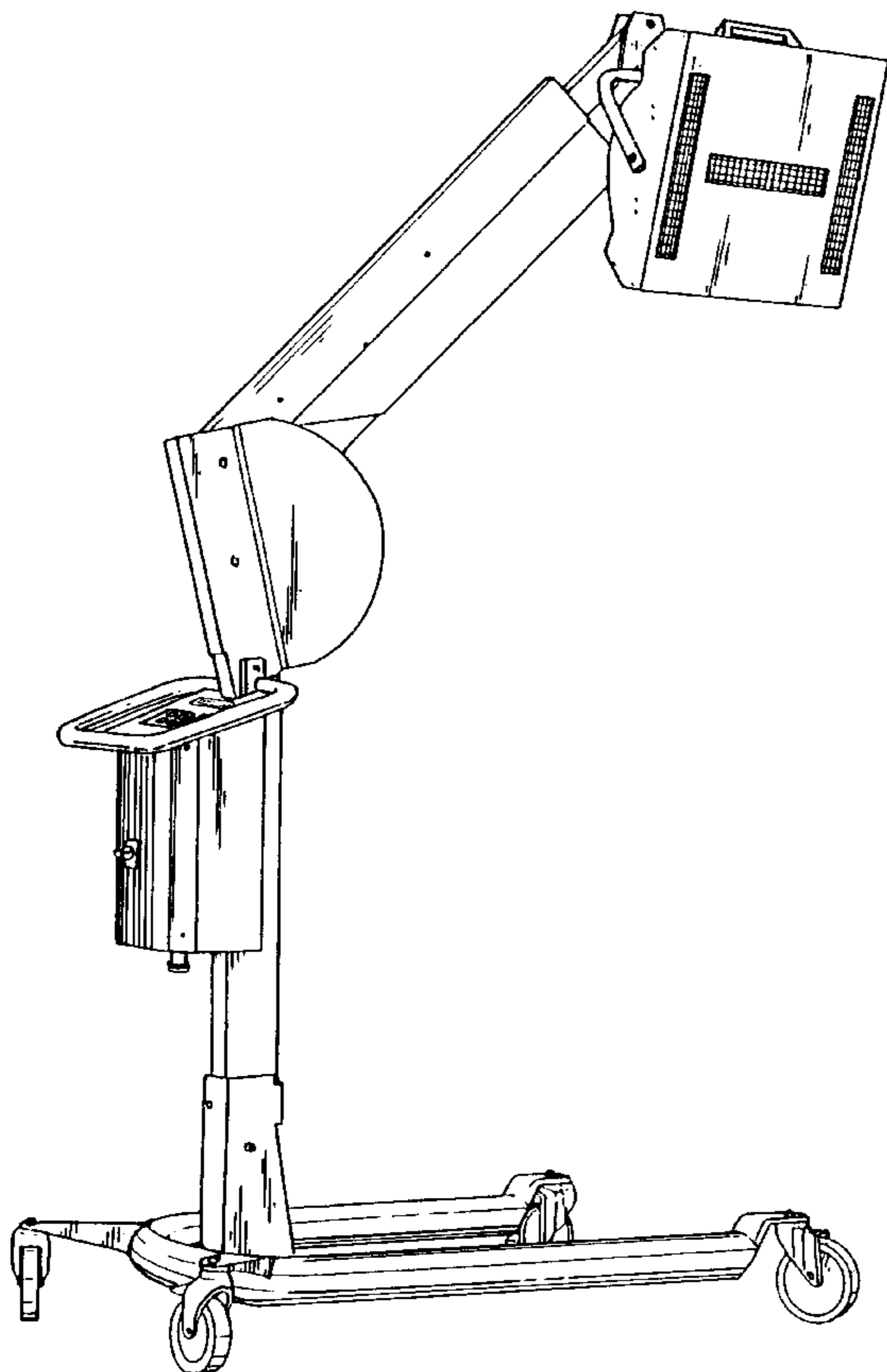
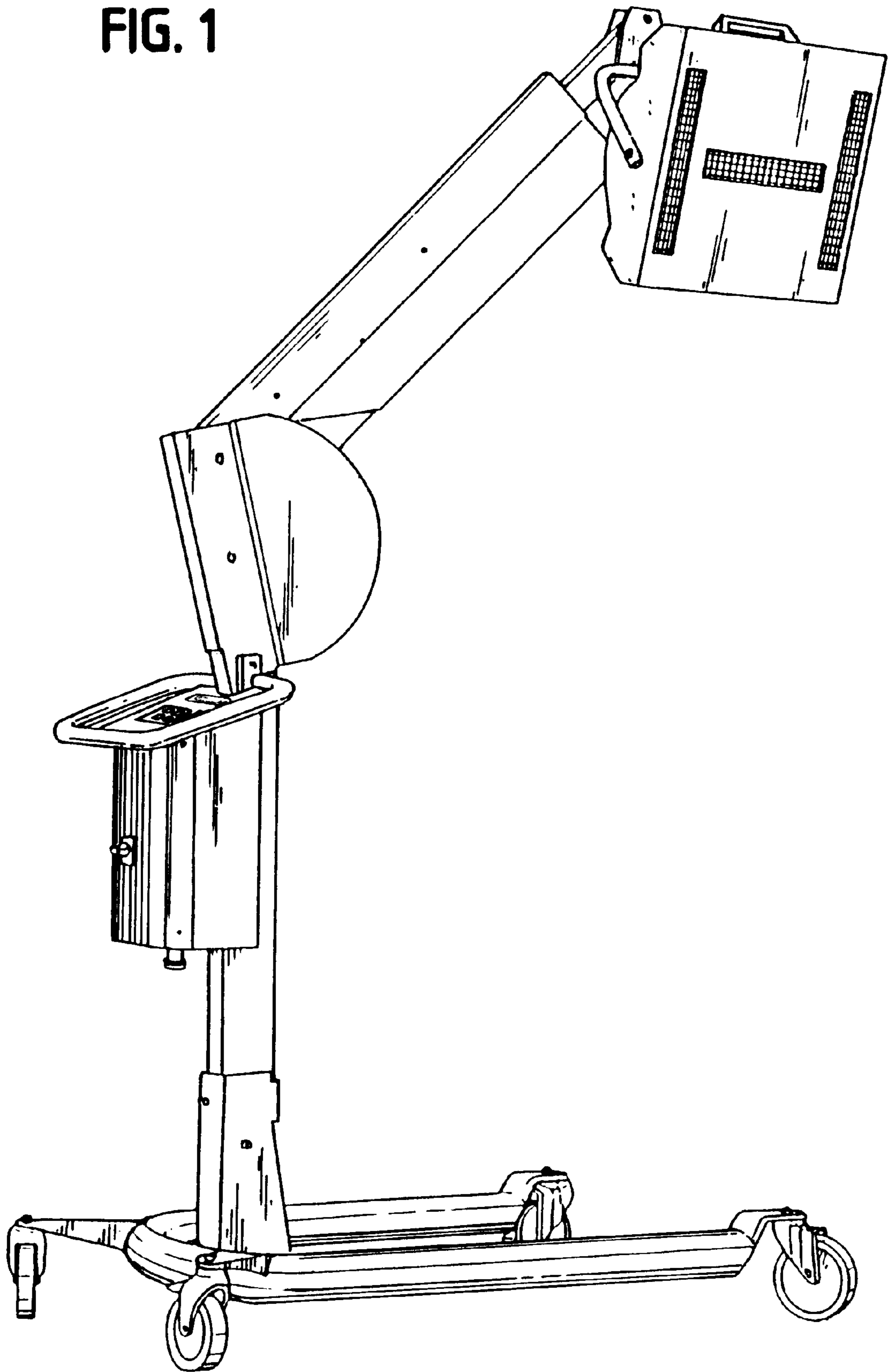


FIG. 1



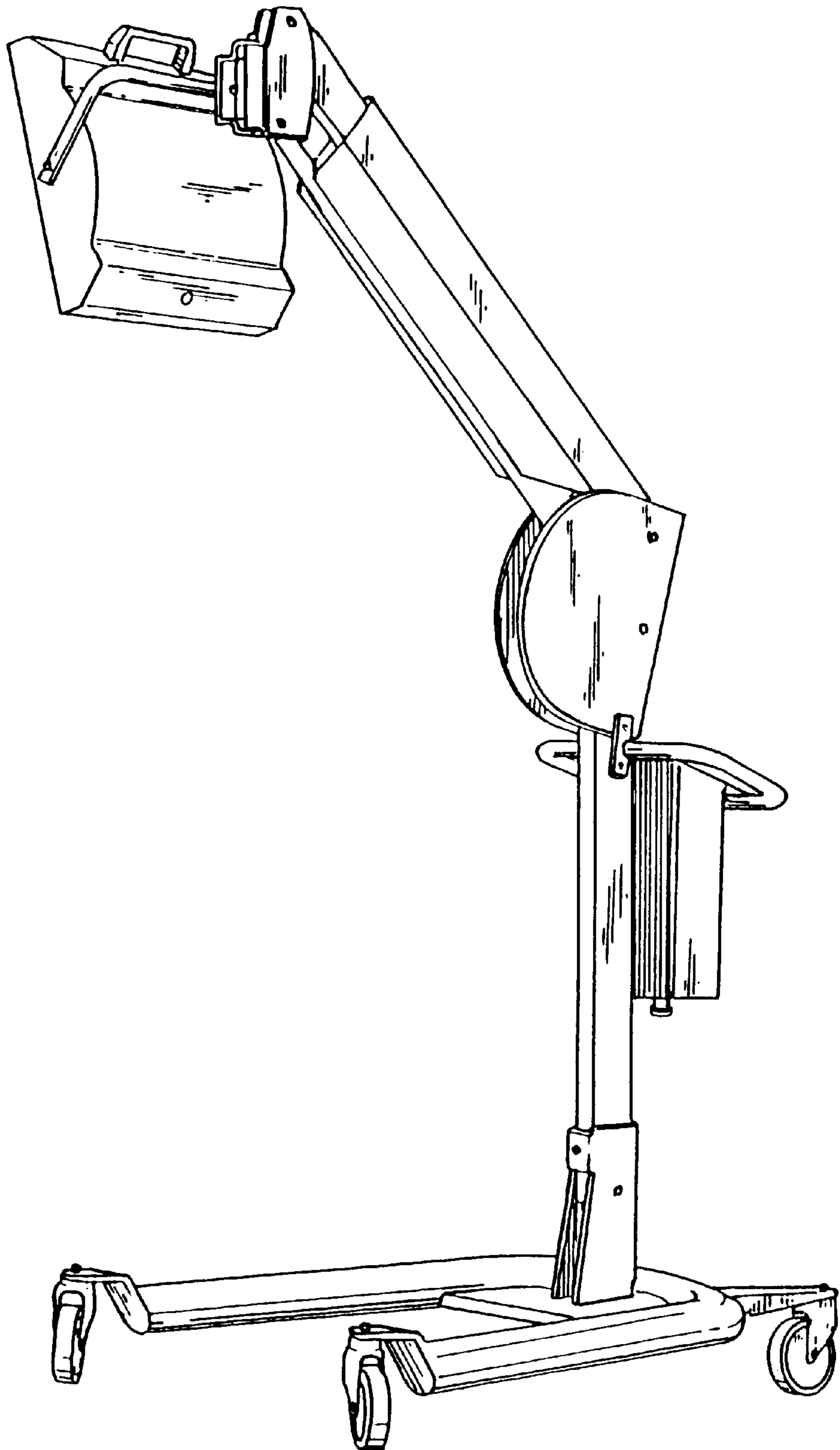


FIG. 2

FIG. 3

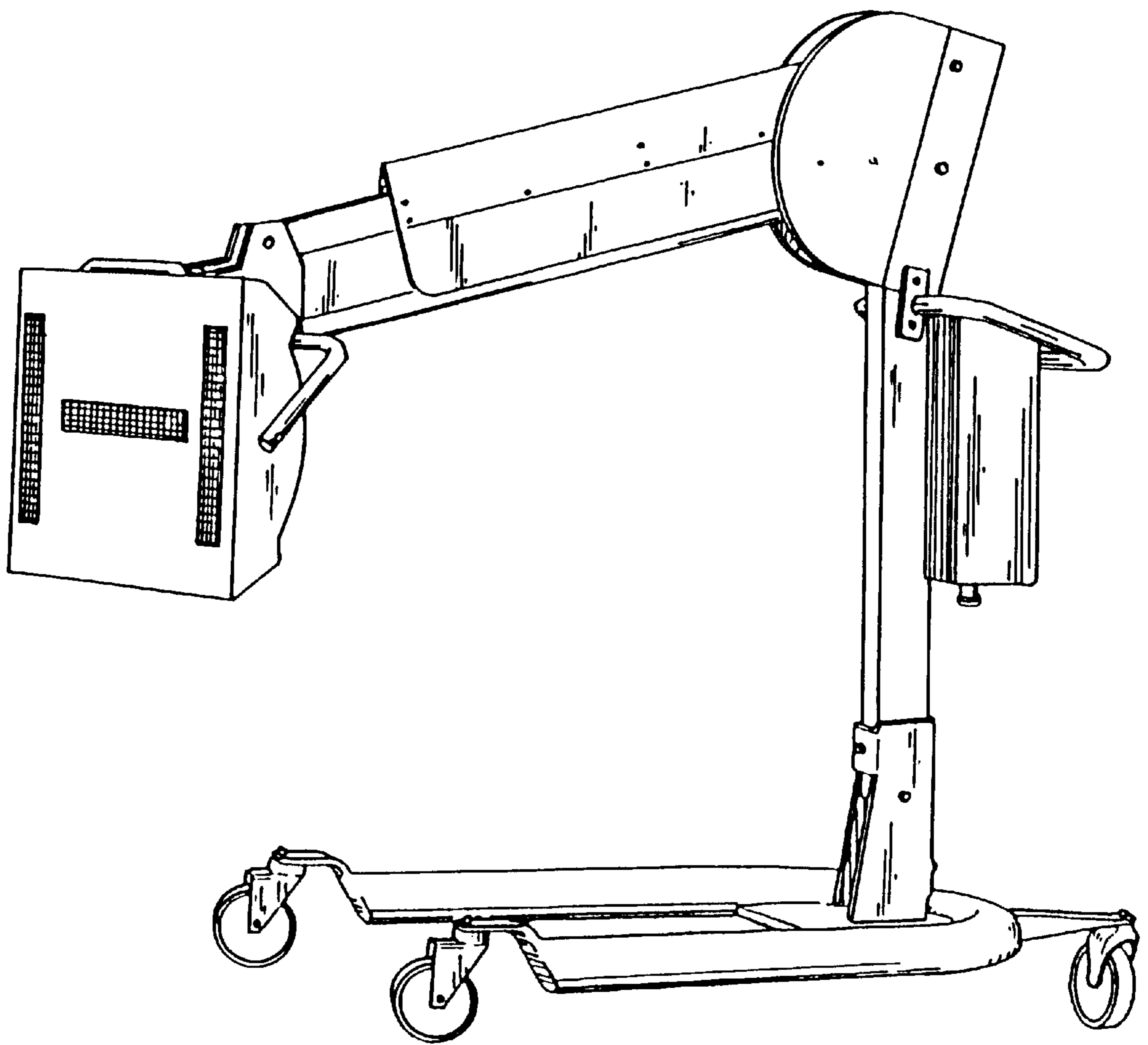


FIG. 4

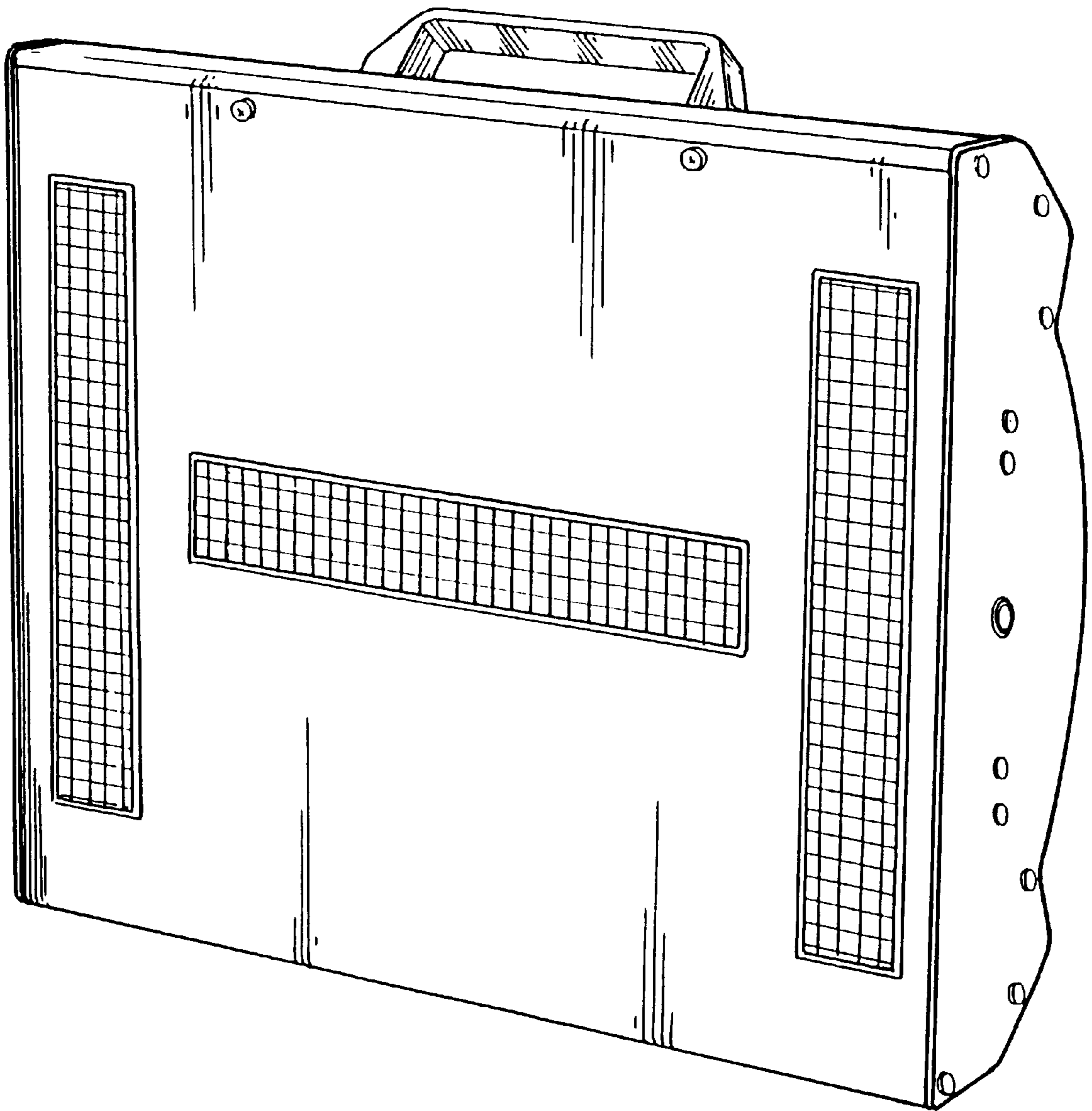


FIG. 5

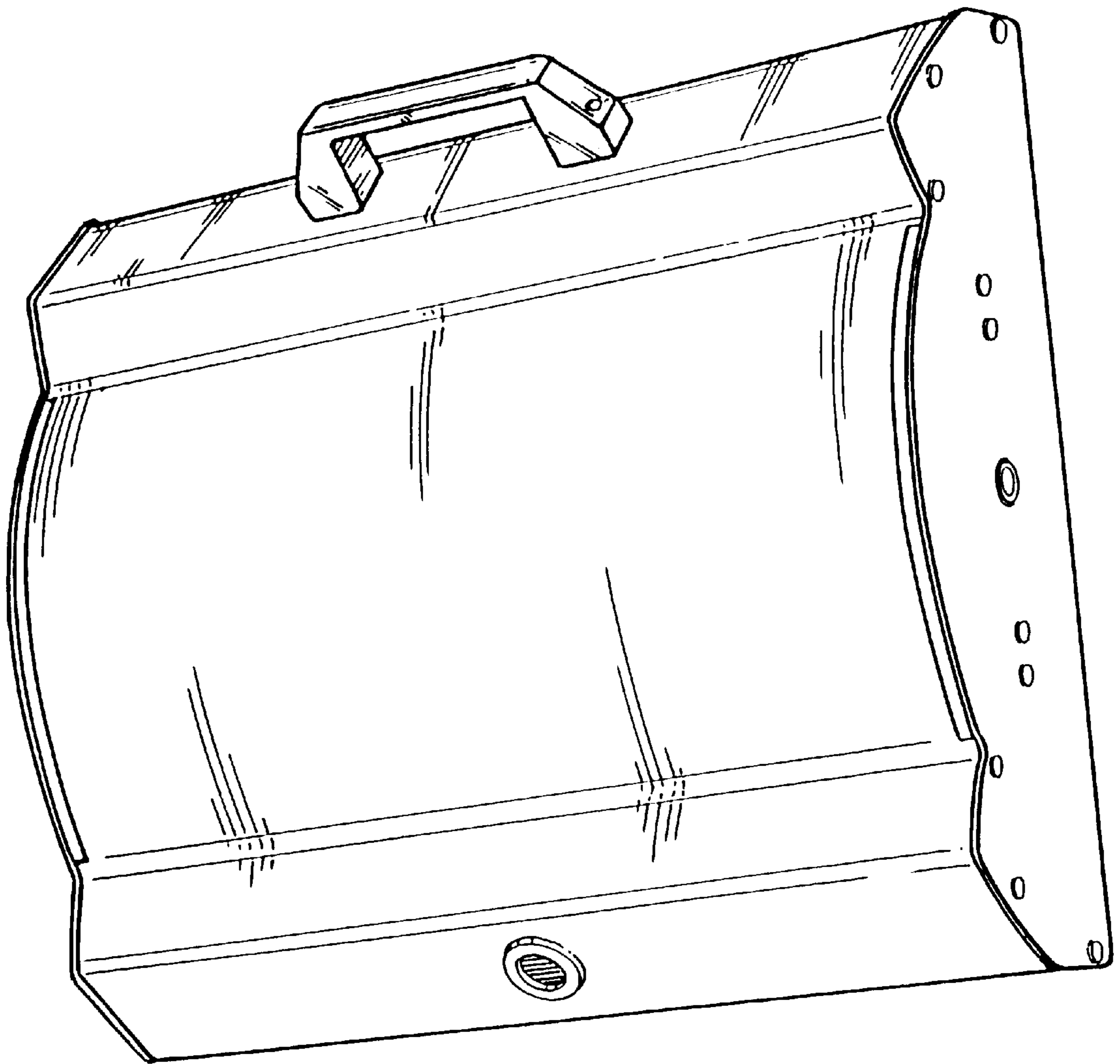


FIG. 6

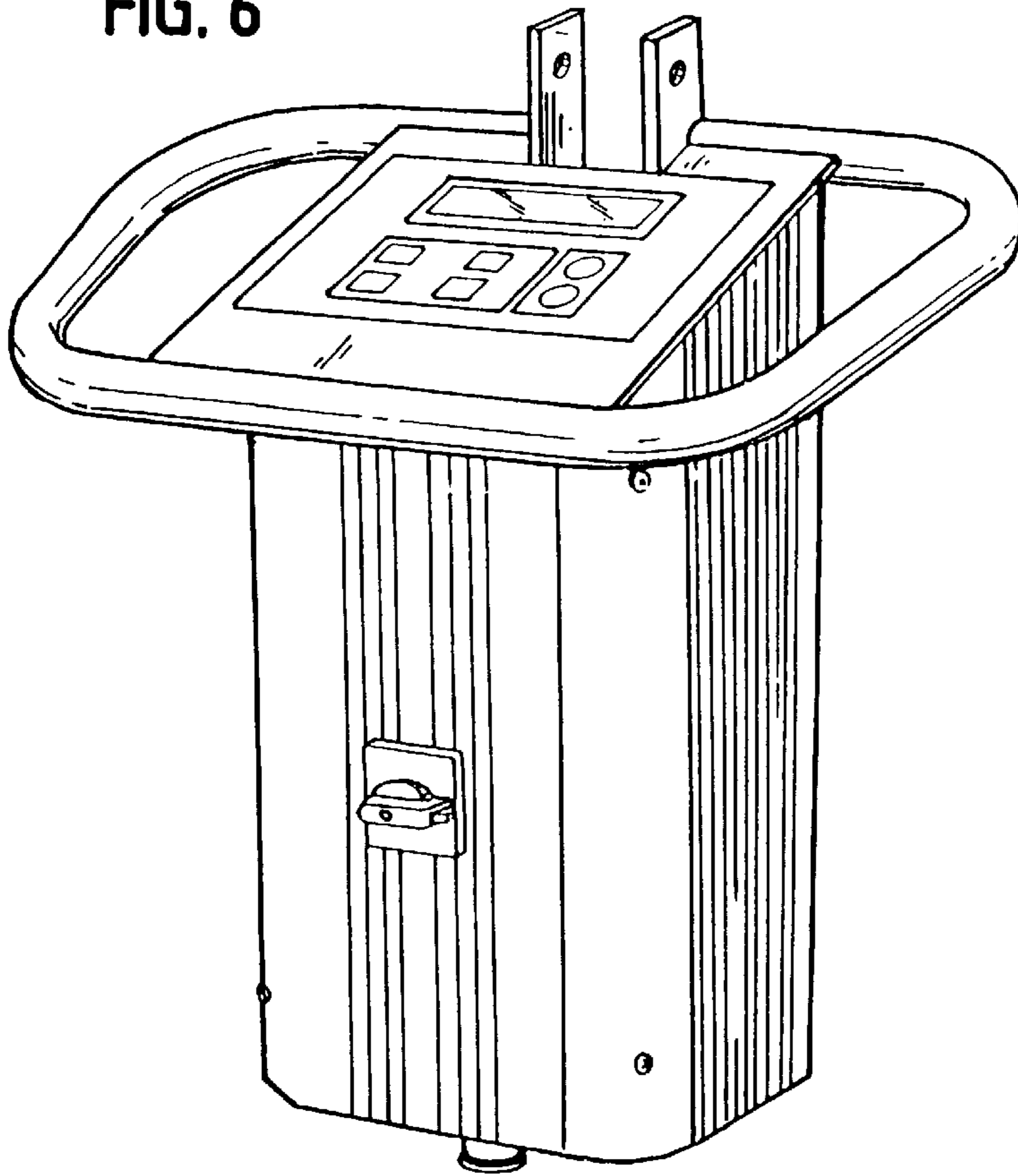


FIG. 7

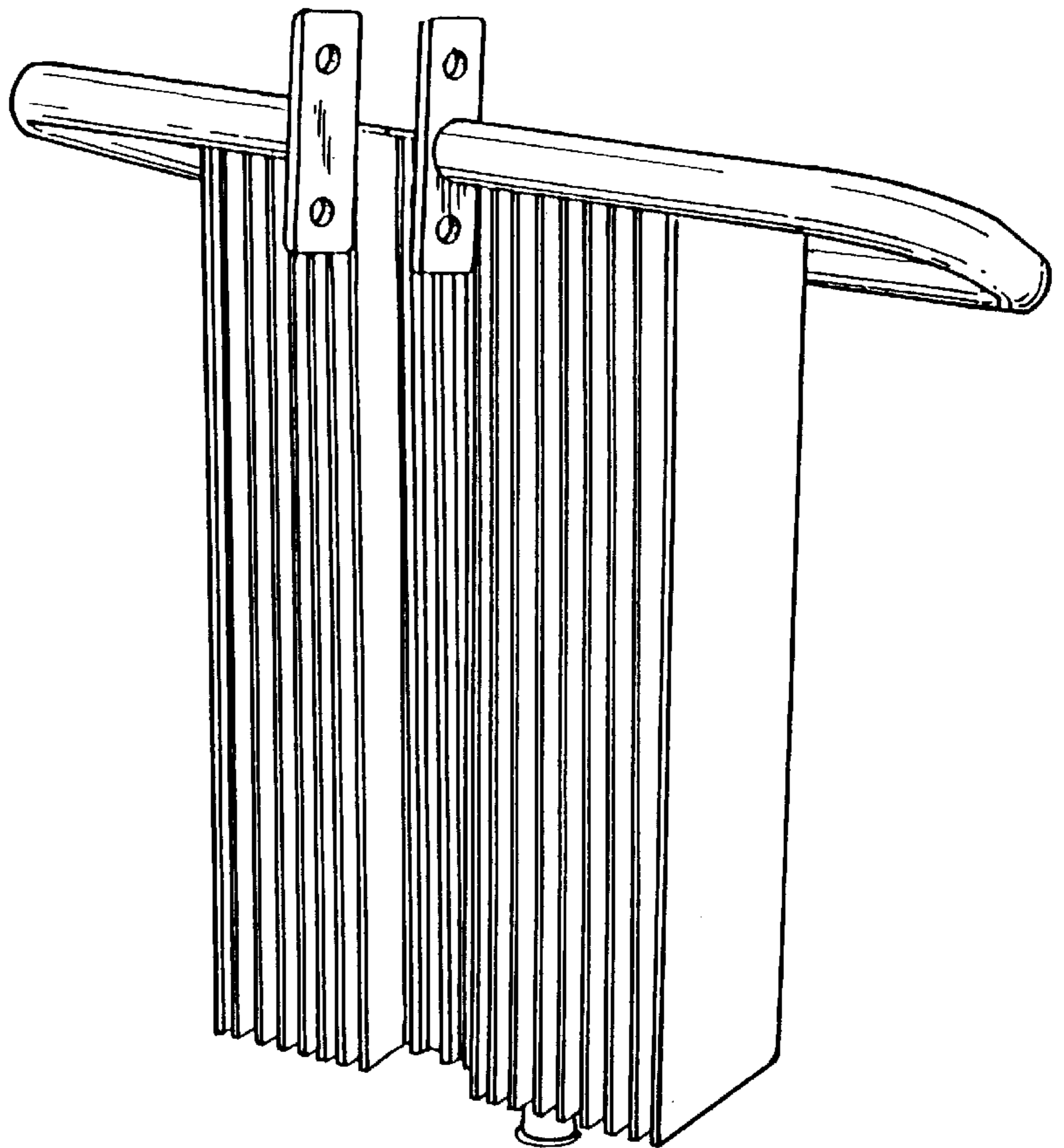


FIG. 8

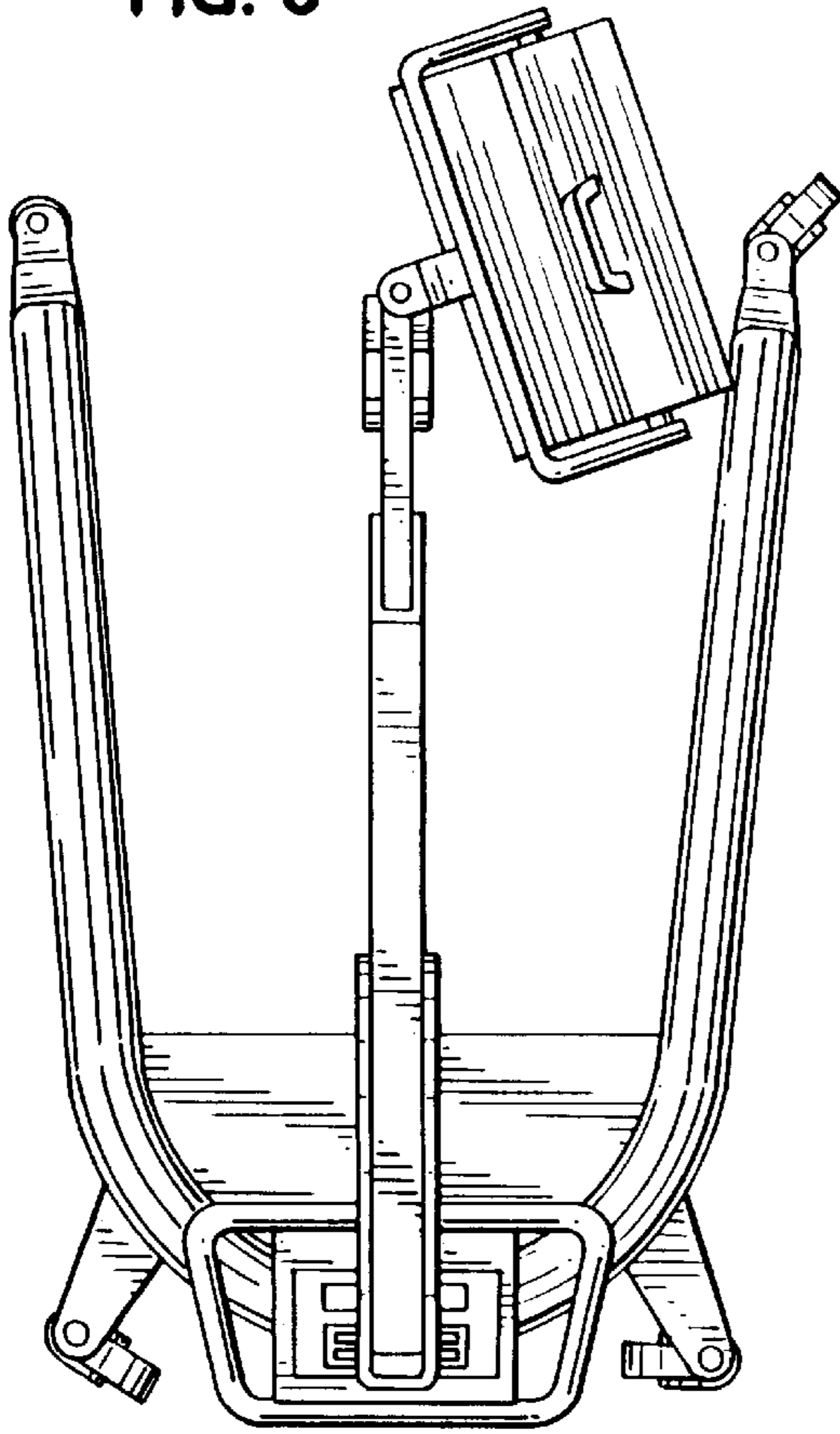


FIG. 9

