



US00D418202S

United States Patent [19]

Warshawsky et al.

[11] Patent Number: **Des. 418,202**

[45] Date of Patent: **** Dec. 28, 1999**

[54] LAVATORY SET

[75] Inventors: **Ari Zev Warshawsky**, New York;
Jerome Warshawsky, Hewlett Harbor;
Frank Antonello, Commack, all of
N.Y.

[73] Assignee: **IW Industries Inc.**, Melville, N.Y.

[**] Term: **14 Years**

[21] Appl. No.: **29/101,921**

[22] Filed: **Mar. 12, 1999**

[51] LOC (6) Cl. **23-01**

[52] U.S. Cl. **D23/241**

[58] Field of Search **D23/238-243,**
D23/250-257; D8/300-310; 4/675-678;
137/801

[56] **References Cited**

U.S. PATENT DOCUMENTS

D. 288,835	3/1987	Yost	D23/241
D. 295,551	5/1988	Yost	D23/255
D. 318,906	8/1991	Spangler	D23/255

D. 321,750	11/1991	Spangler	D23/241
D. 350,390	9/1994	Bollenbacher	D23/255
D. 364,218	11/1995	Hill et al.	D23/255
D. 367,920	3/1996	Hill et al.	D23/255
D. 368,302	3/1996	Doughty et al.	D23/241
D. 377,517	1/1997	Doughty et al.	D23/255
D. 381,400	7/1997	Doughty et al.	D23/241
D. 382,330	8/1997	Doughty et al.	D23/241
D. 384,132	9/1997	Doughty et al.	D23/241

Primary Examiner—Eric Watterson
Attorney, Agent, or Firm—Alfred M. Walker

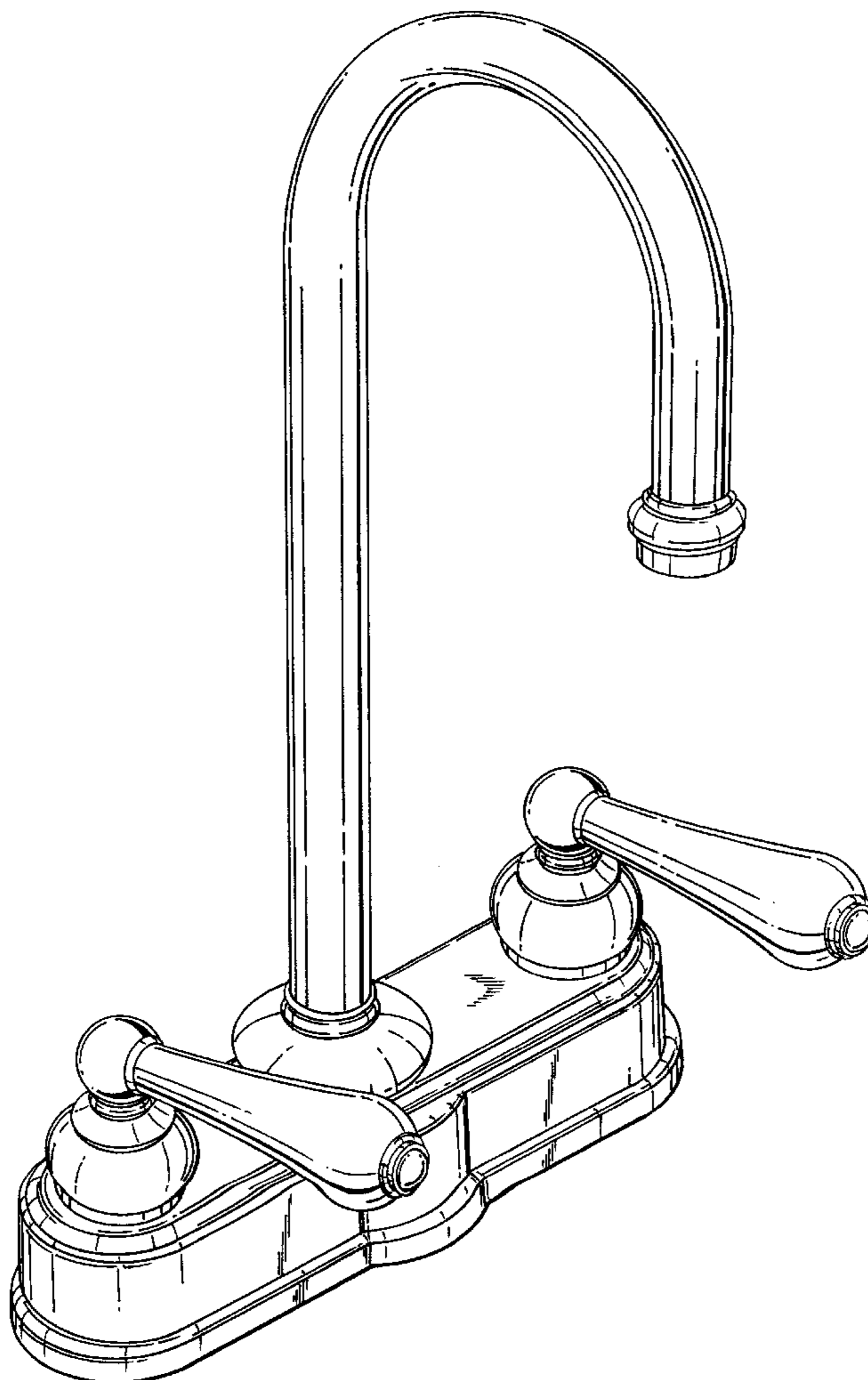
[57] **CLAIM**

The ornamental design for a lavatory set, shown and described.

DESCRIPTION

FIG. 1 is a perspective view of a lavatory set, showing our new design;
FIG. 2 is a right side elevational view thereof, the left side being a mirror image thereof;
FIG. 3 is a top plan view thereof;
FIG. 4 is a front elevational view thereof; and,
FIG. 5 is a rear view thereof.

1 Claim, 5 Drawing Sheets



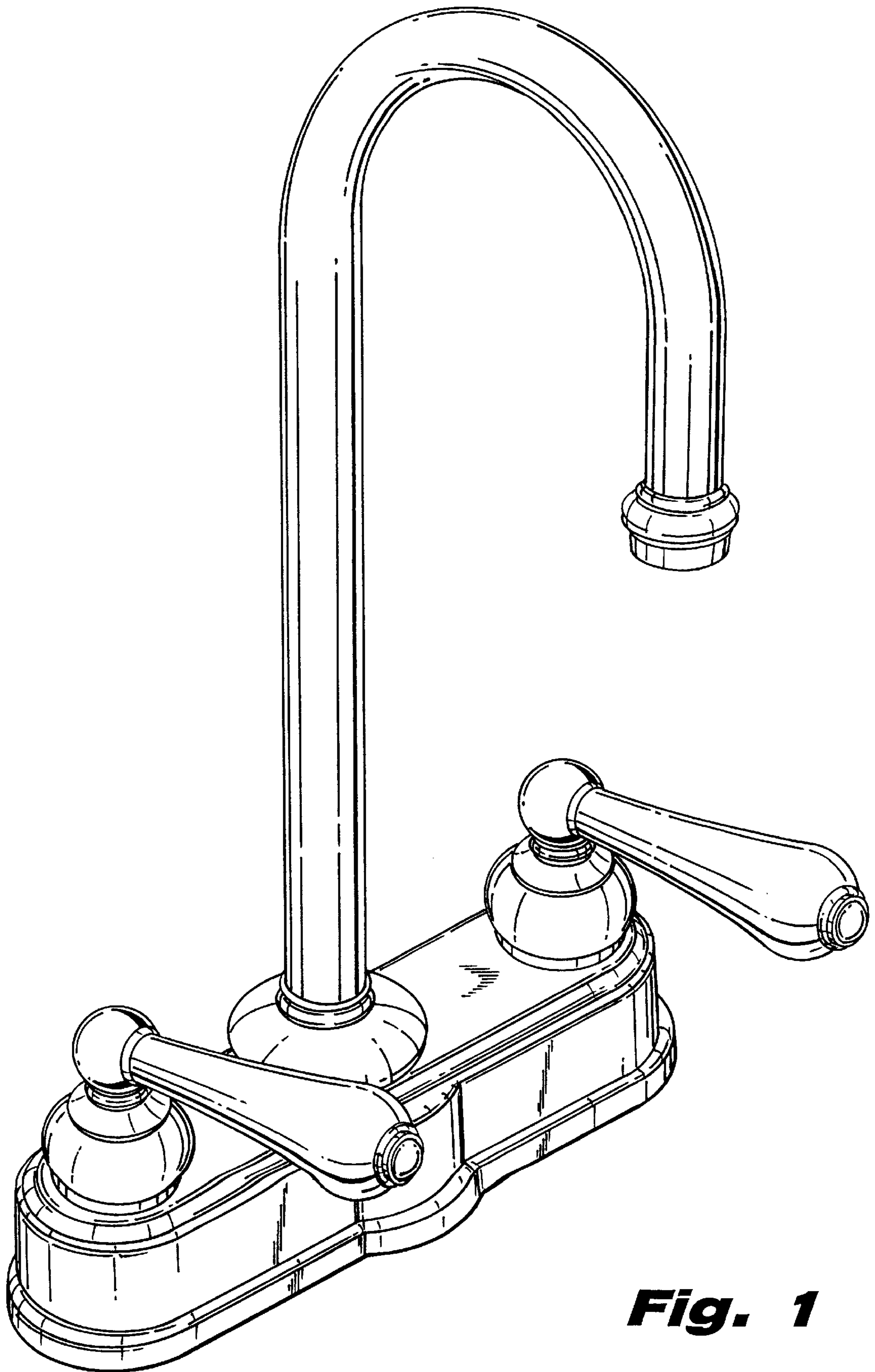


Fig. 1

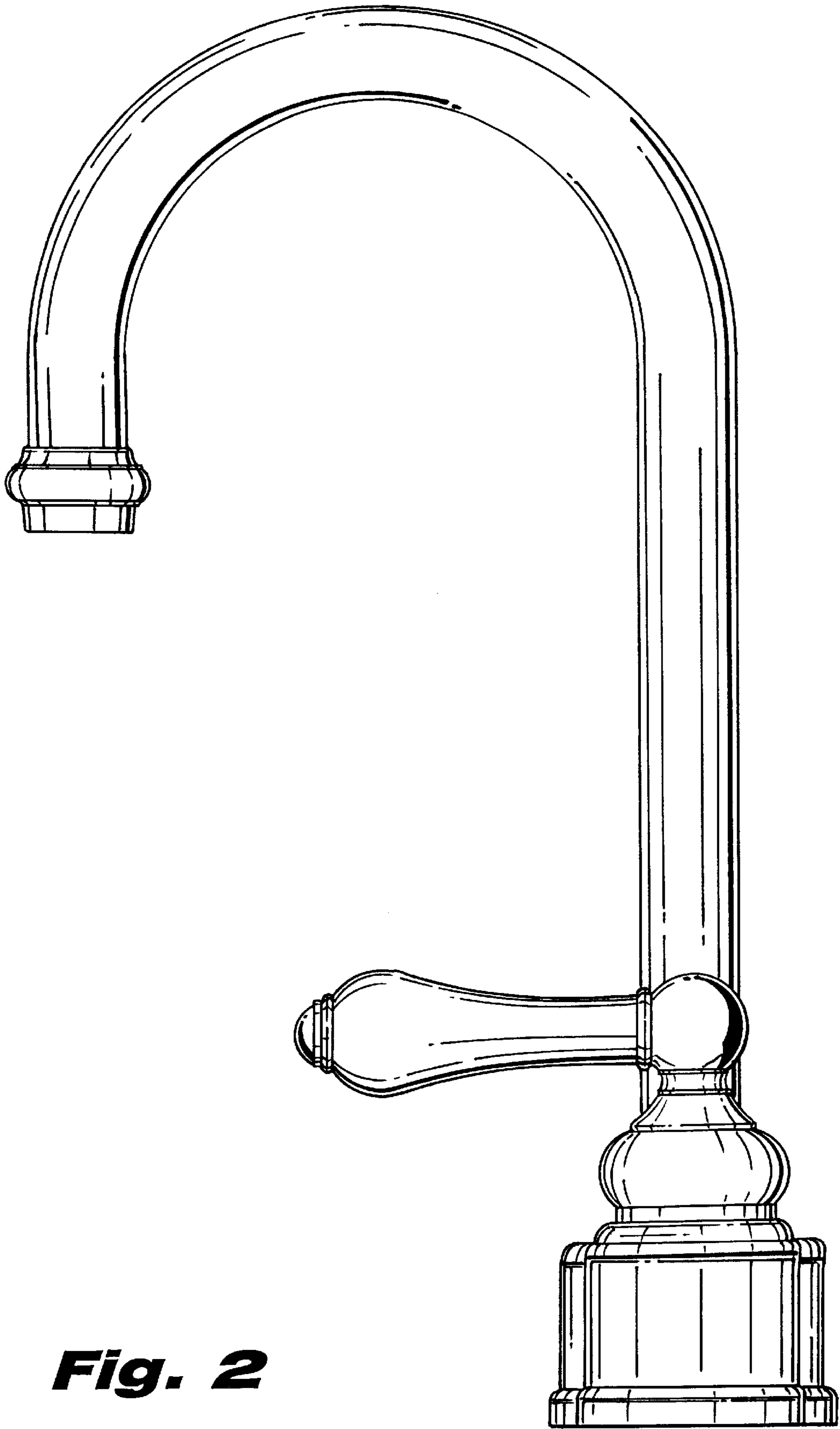


Fig. 2

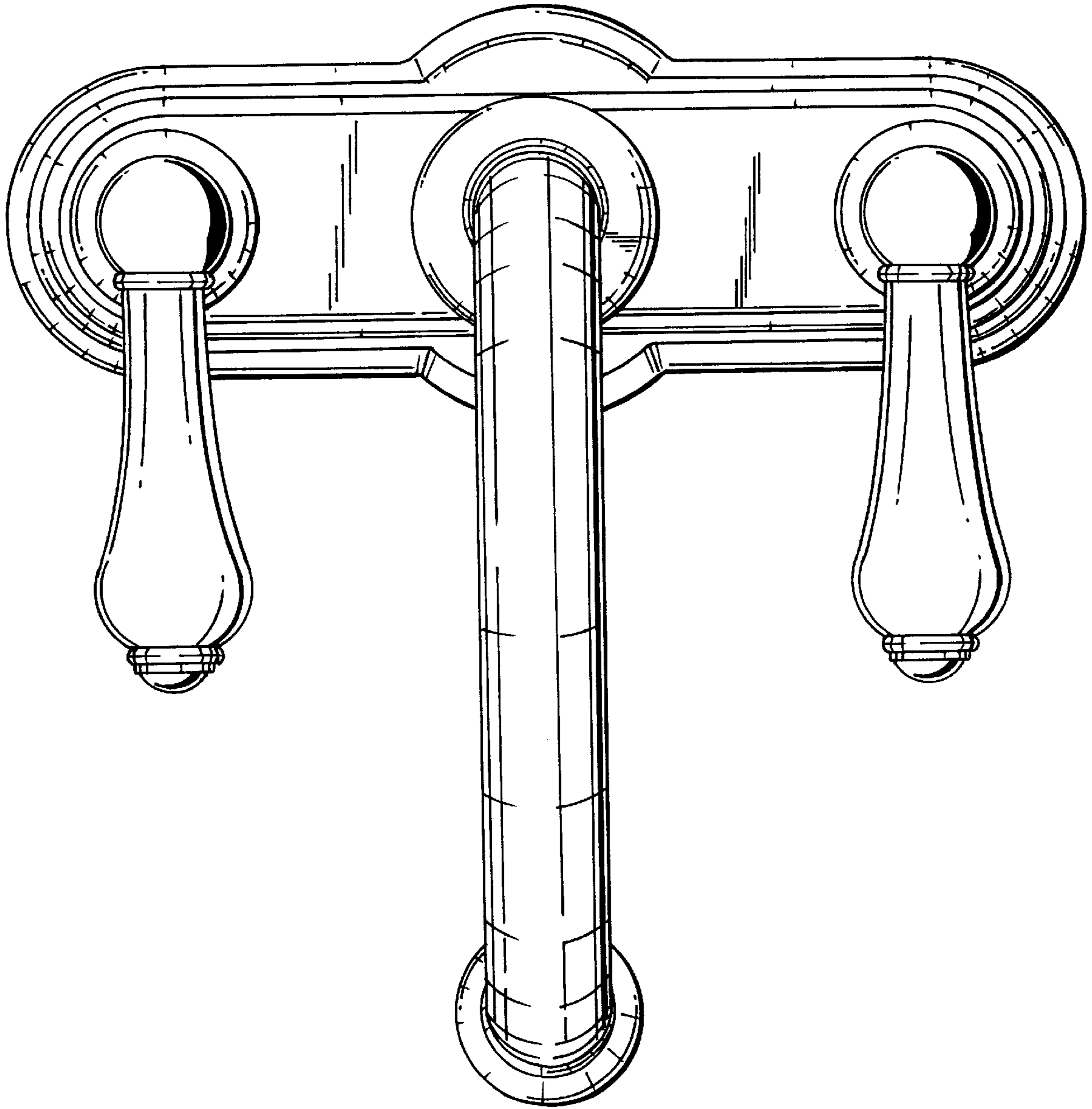


Fig. 3

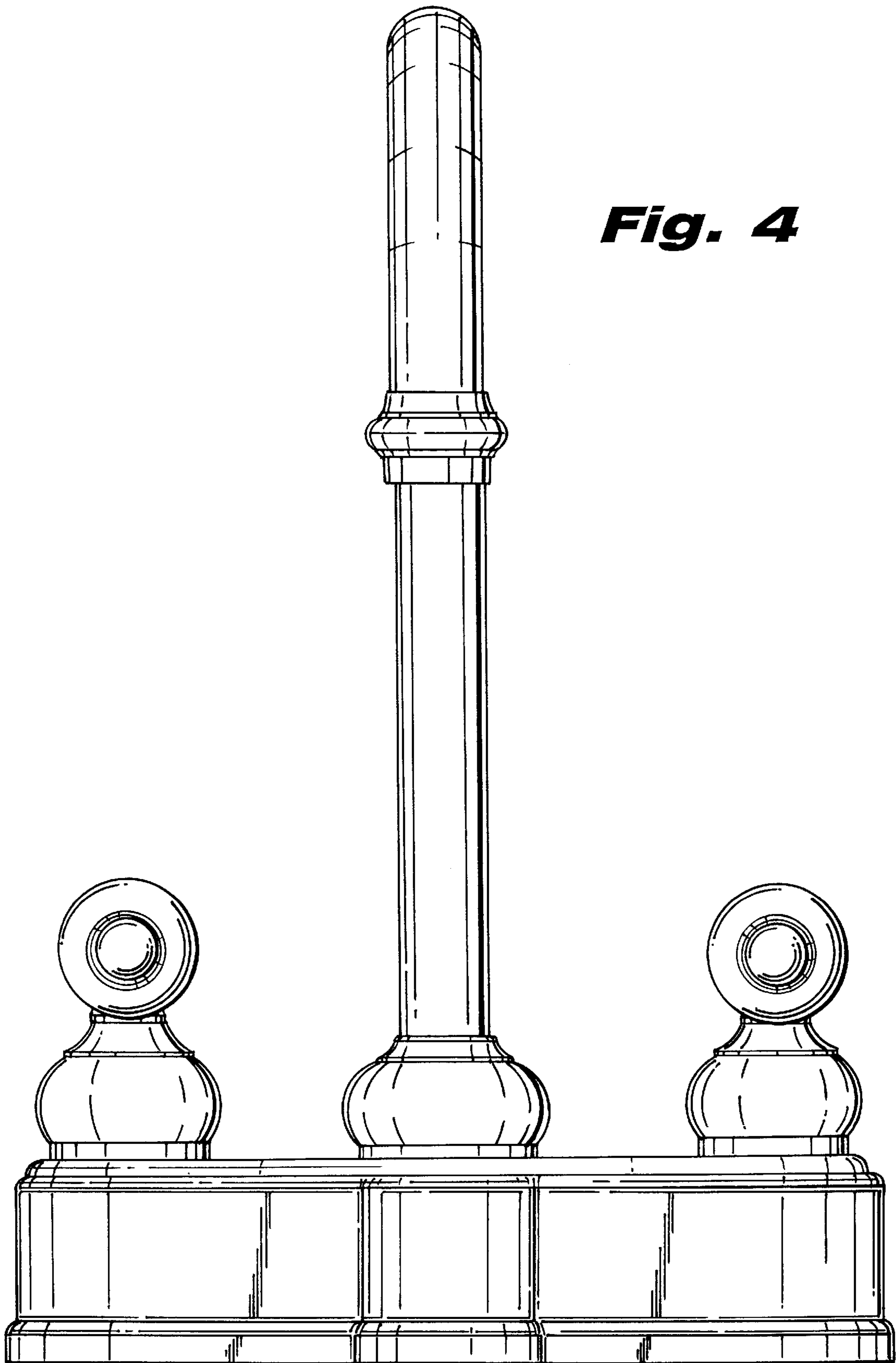


Fig. 4

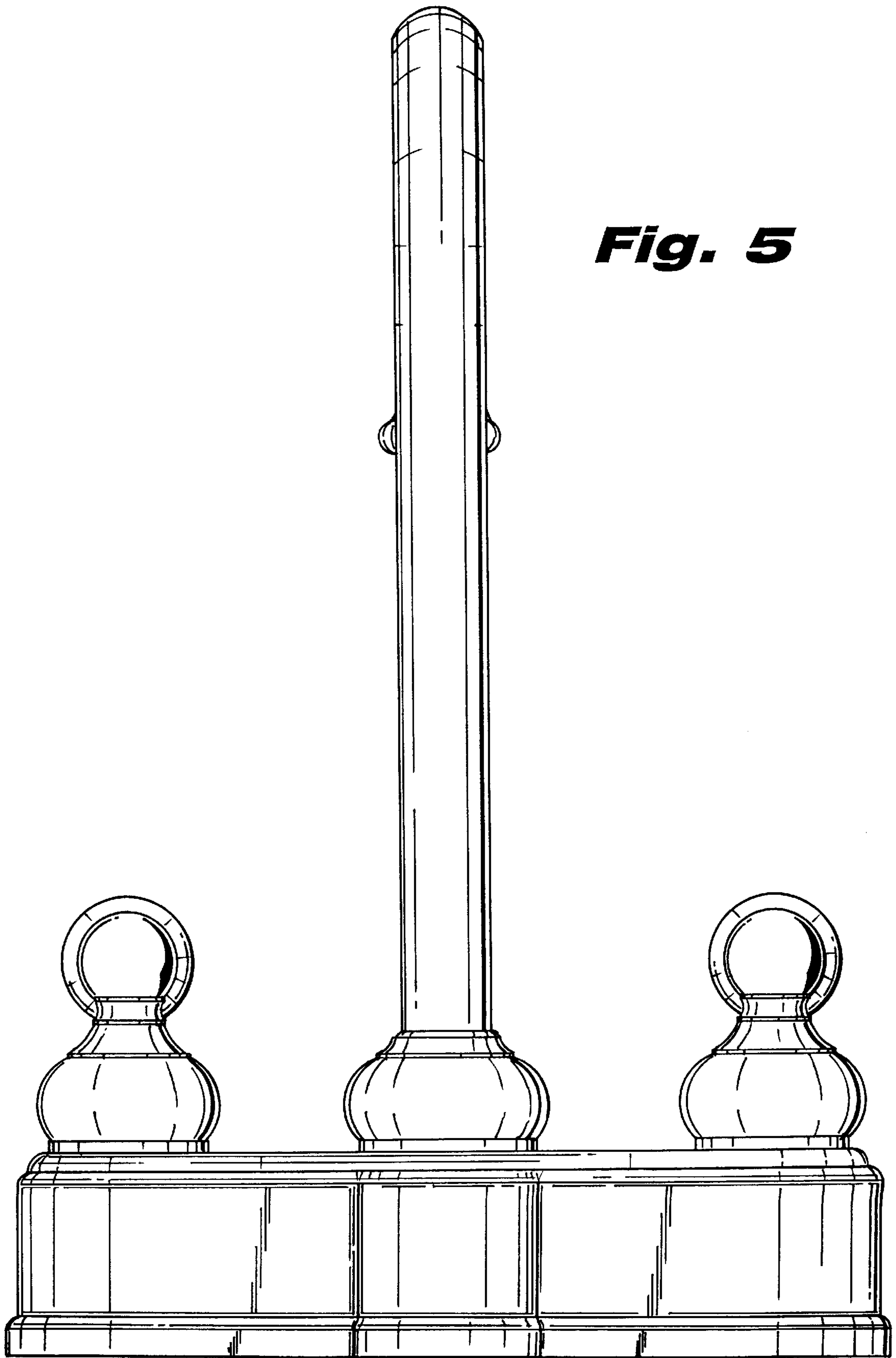


Fig. 5