



US00D418195S

United States Patent [19]
Perry

[11] **Patent Number: Des. 418,195**

[45] **Date of Patent: ** Dec. 28, 1999**

[54] **FISHING ROD HOLDER**

[75] Inventor: **Robert G. Perry**, Hotchkiss, Colo.

[73] Assignee: **Bitzer Creek II, Inc.**, Hotchkiss, Colo.

[**] Term: **14 Years**

[21] Appl. No.: **29/090,133**

[22] Filed: **Jun. 30, 1998**

[51] **LOC (6) Cl.** **22-05**

[52] **U.S. Cl.** **D22/147**

[58] **Field of Search** D22/134, 139,
D22/147, 148, 199; 43/1, 4, 21.2, 54.1;
248/511, 514, 519, 520, 521; 224/922;
211/70.8

[56] **References Cited**

U.S. PATENT DOCUMENTS

D. 273,971	5/1984	Nelson et al.	D22/147
D. 330,753	11/1992	Gutierrez	D22/147
2,981,510	4/1961	Burns	248/520
4,676,019	6/1987	Engles	D22/147
5,871,196	2/1999	Martelli	248/514

OTHER PUBLICATIONS

Cabela's Hunting, Fishing and Outdoor Gear (Catalog)—pp. 88-91.

Primary Examiner—Louis S. Zarfes

Assistant Examiner—Inga-Maria Hyttinen

Attorney, Agent, or Firm—Ryan Kromholz & Manion, S.C.

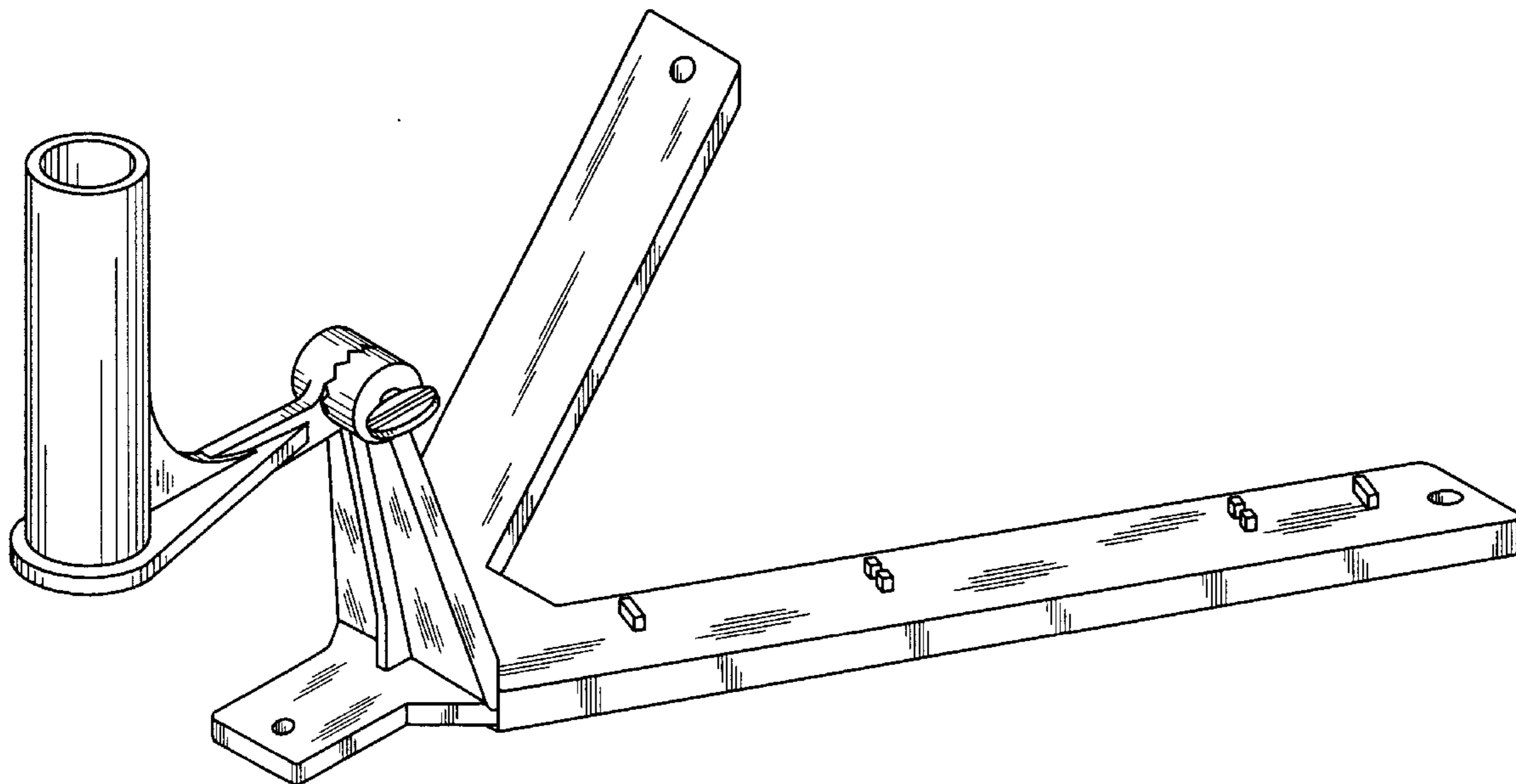
[57] **CLAIM**

The ornamental design of a fishing rod holder, as shown and described.

DESCRIPTION

FIG. 1 is a perspective view of the fishing rod holder; FIG. 2 is a top plan view of the fishing rod holder; FIG. 3 is a bottom plan view of the fishing rod holder; FIG. 4 is a right side elevational view of the fishing rod holder; FIG. 5 is a left side elevational view of the fishing rod holder; FIG. 6 is a front elevational view of the fishing rod holder; and, FIG. 7 is a rear elevational view of the fishing rod holder.

1 Claim, 6 Drawing Sheets



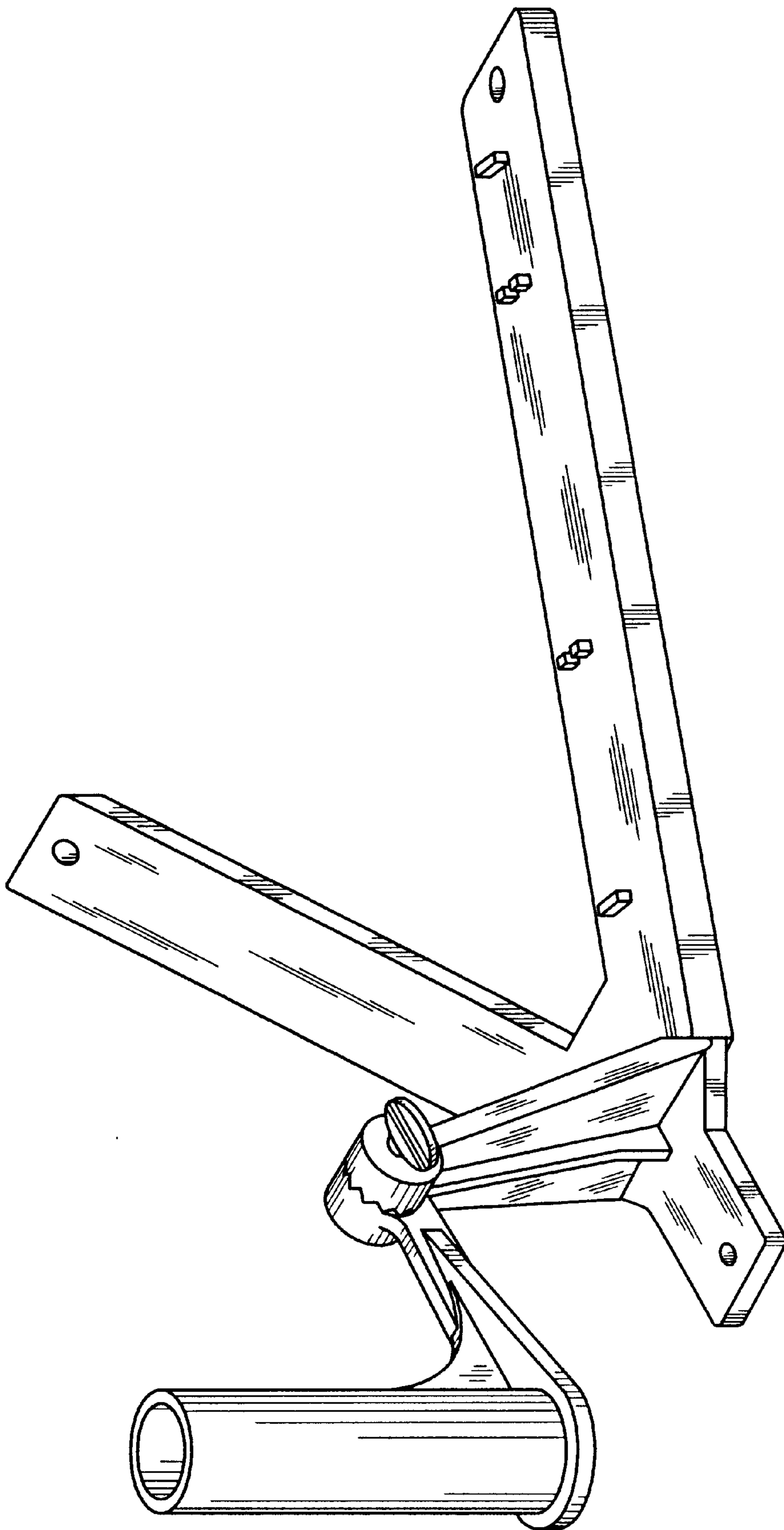


Fig. 1

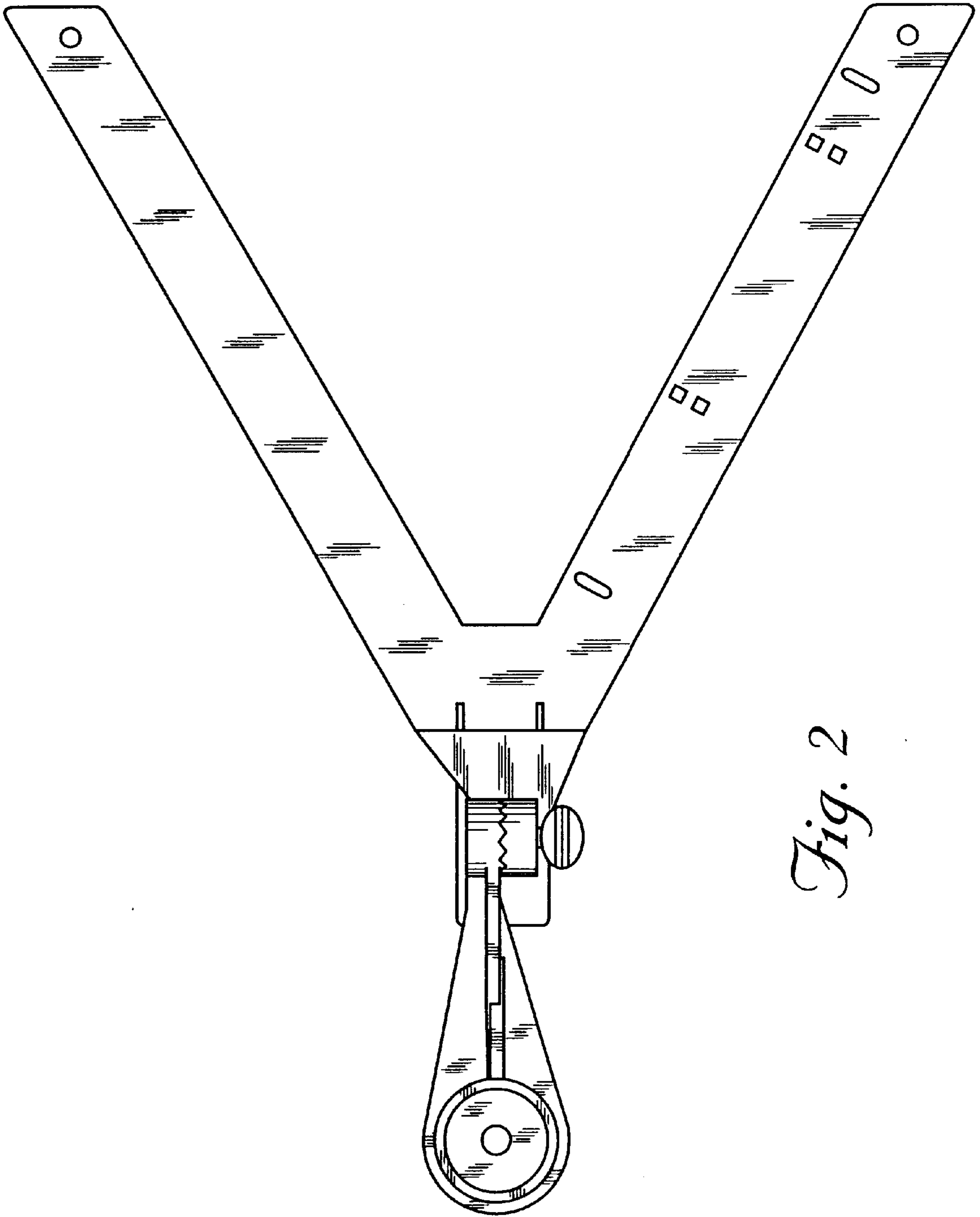


Fig. 2

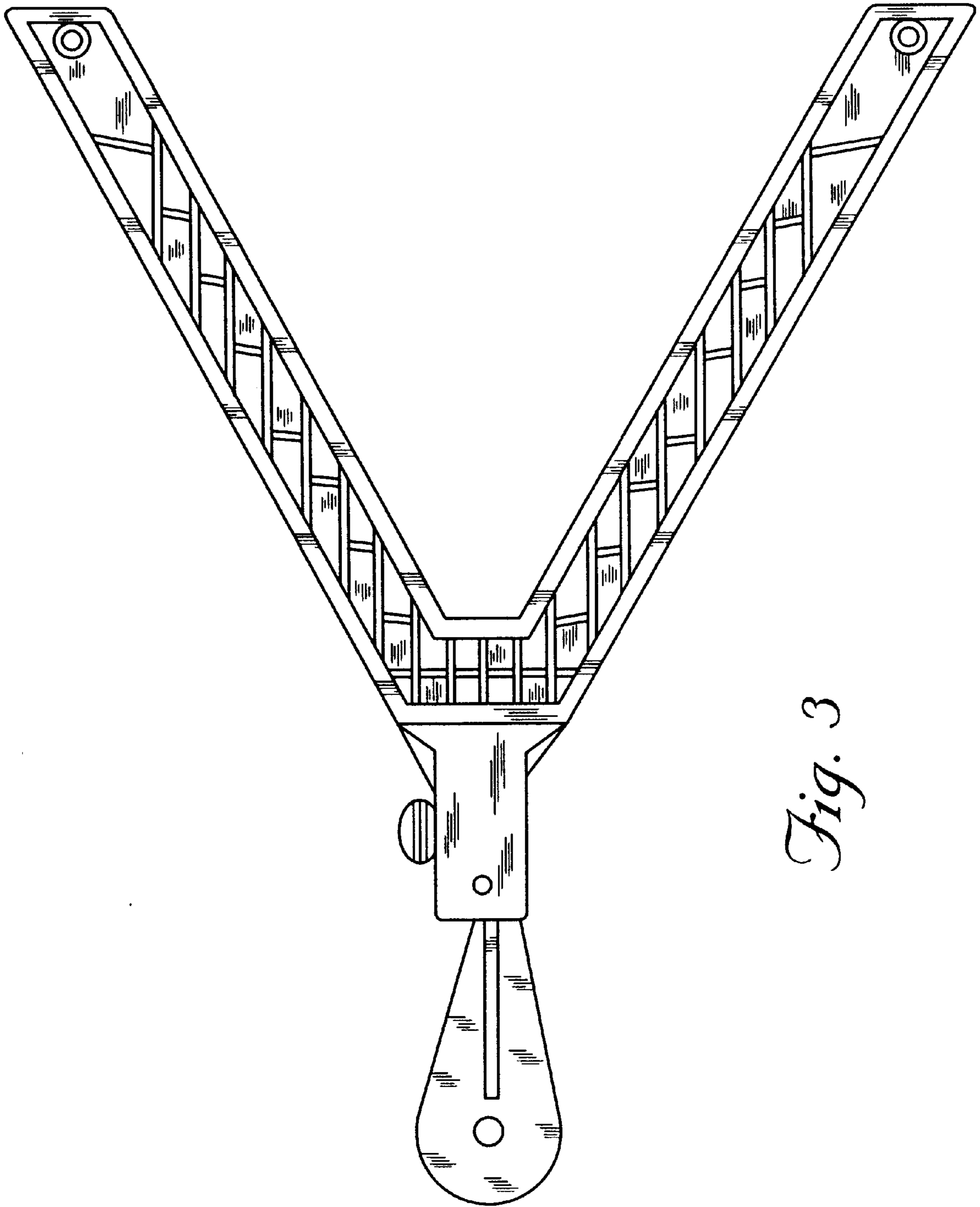


Fig. 3

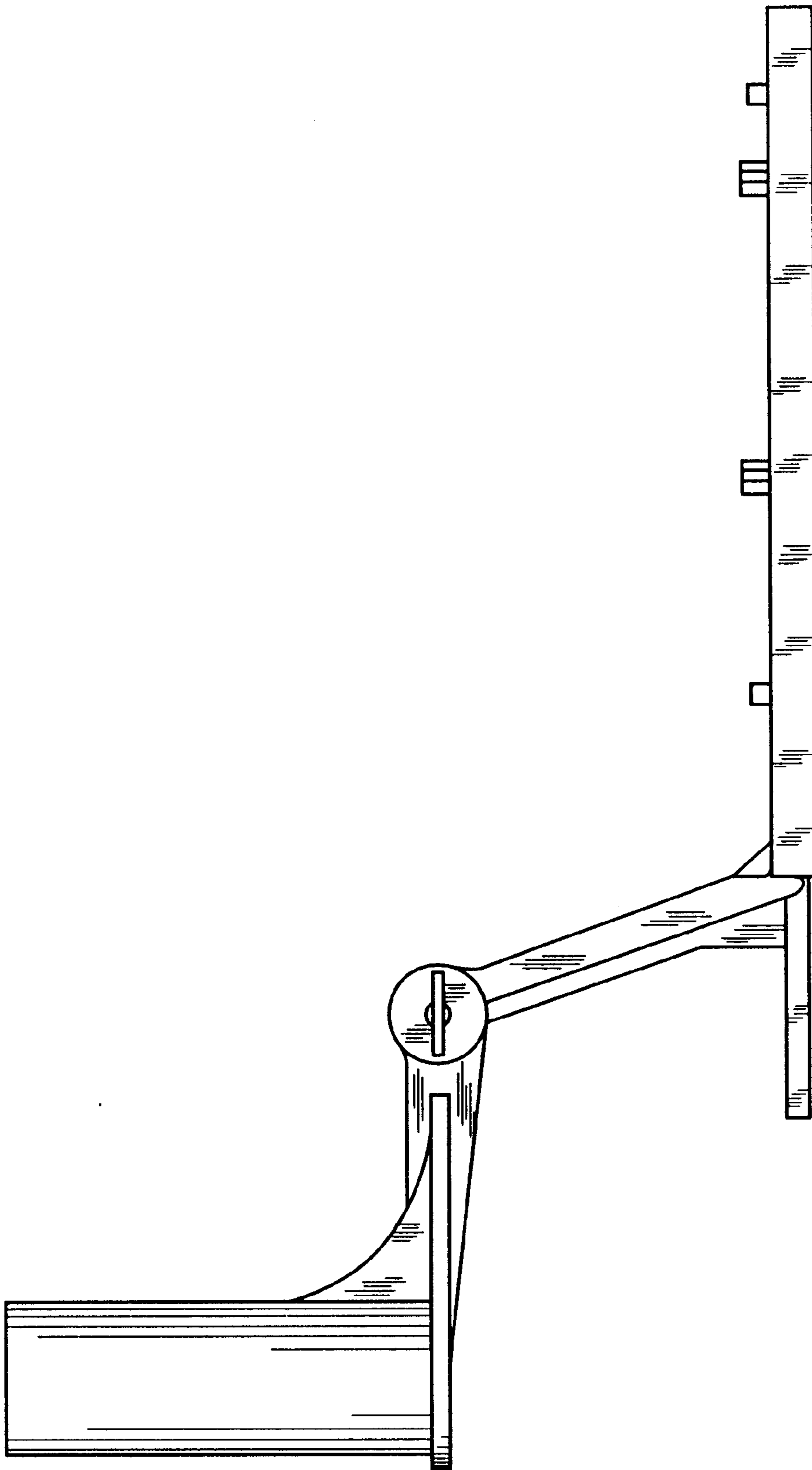


Fig. 4

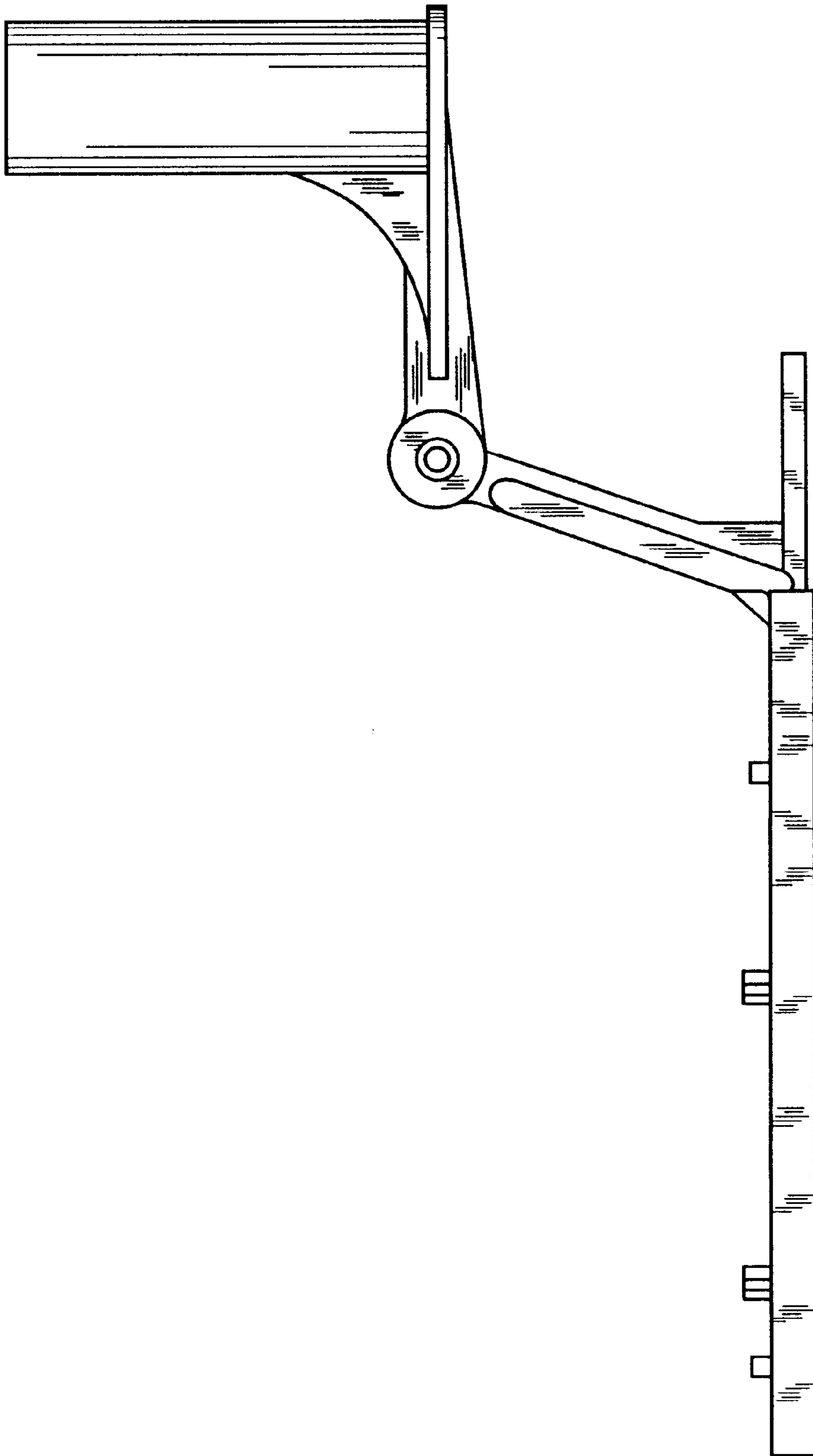


Fig. 5

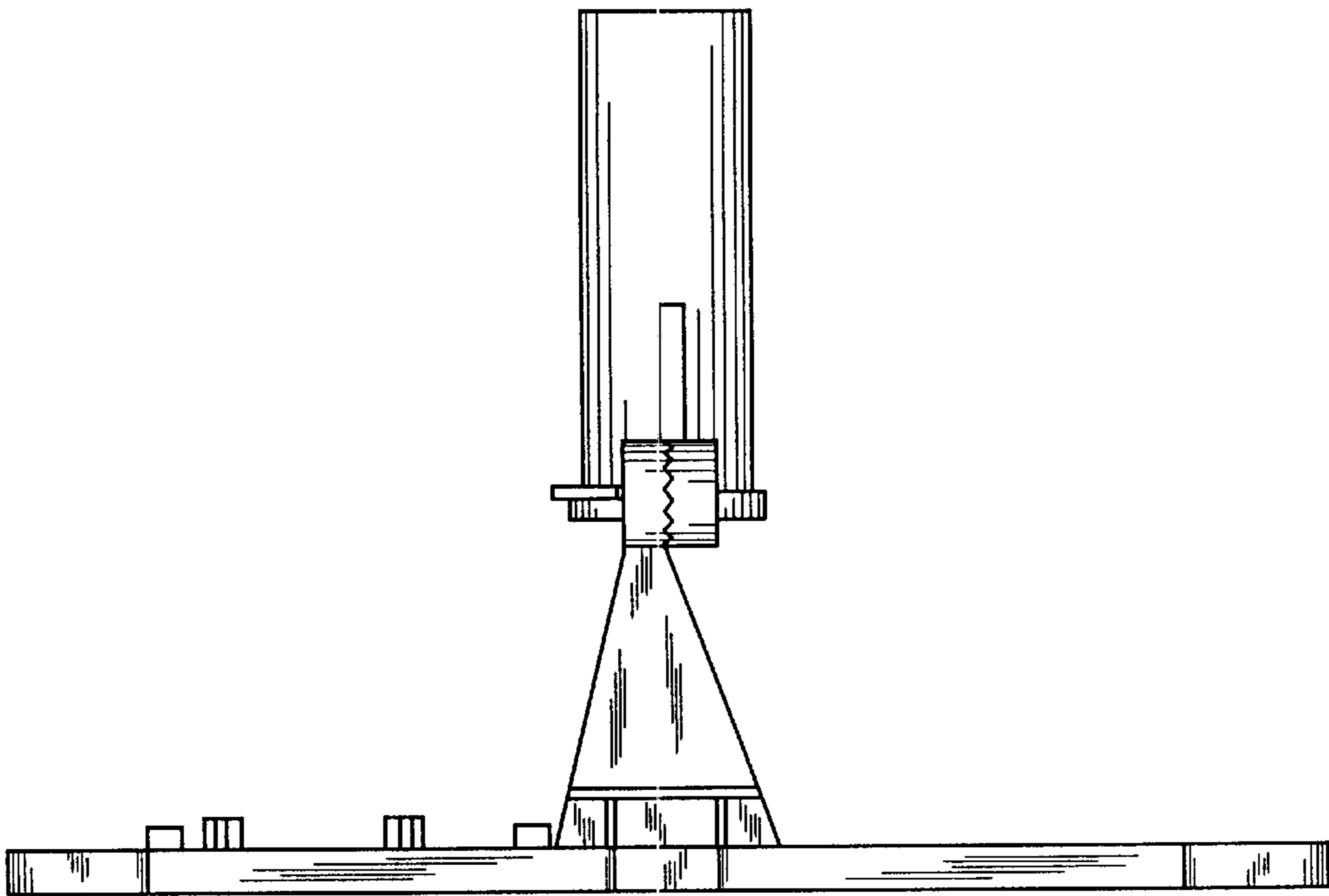


Fig. 6

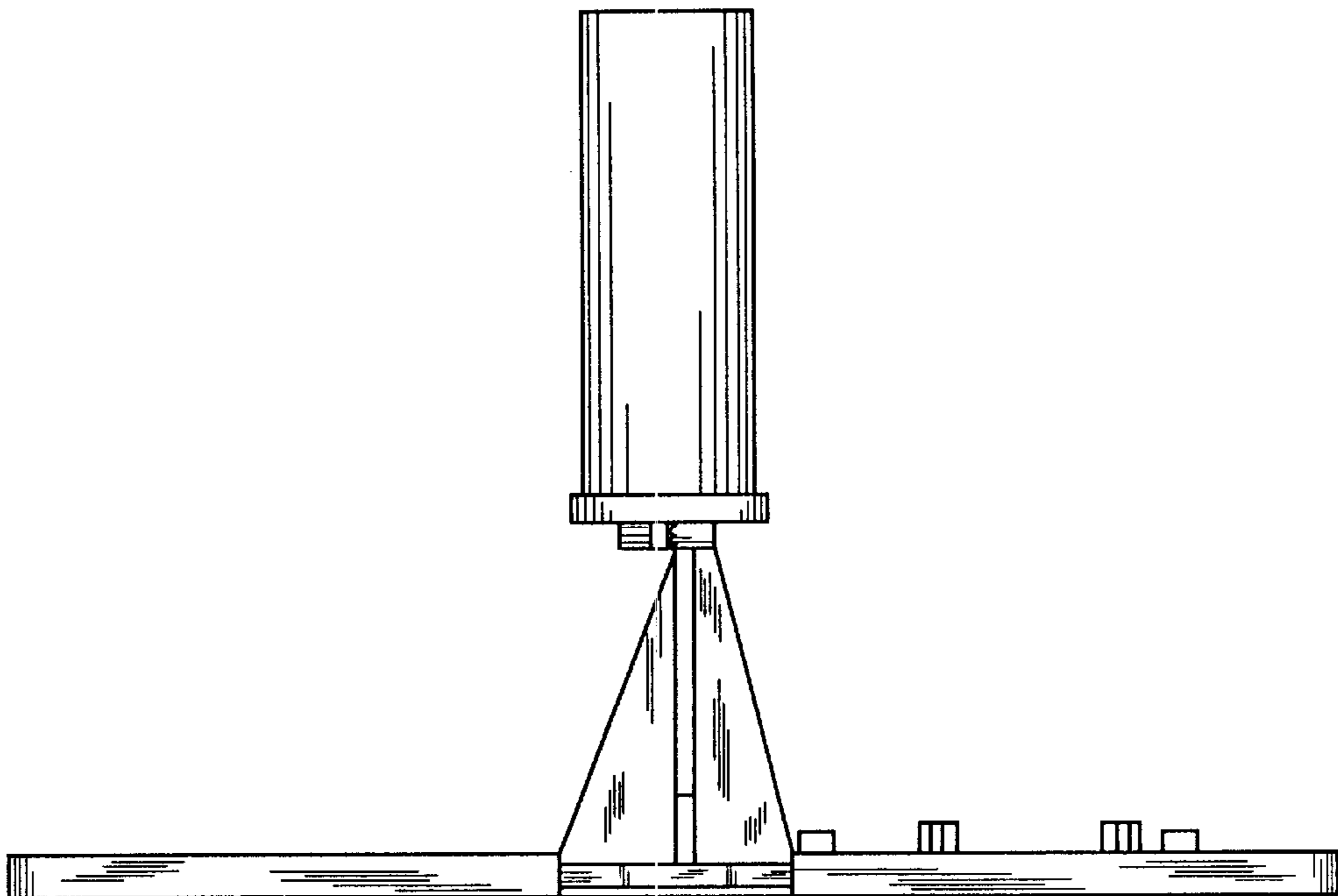


Fig. 7