



US00D418191S

United States Patent [19] Delmonte

[11] **Patent Number: Des. 418,191**

[45] **Date of Patent: ** Dec. 28, 1999**

[54] **ATTACHABLE FLETCH FOR ARROW**

5,427,385 6/1995 Conrad et al. 473/586

[76] Inventor: **Nicholas J. Delmonte**, 6519 Chestnut Ridge Rd., Orchard Park, N.Y. 14127

Primary Examiner—Doris Clark
Assistant Examiner—Monica A. Weingart

[**] Term: **14 Years**

[57] **CLAIM**

[21] Appl. No.: **29/088,893**

The ornamental design for an attachable fletch for arrow, as shown.

[22] Filed: **Jun. 3, 1998**

DESCRIPTION

[51] **LOC (6) Cl.** **22-01**

[52] **U.S. Cl.** **D22/107; D22/100; D22/199**

[58] **Field of Search** D22/100, 107,
D22/115, 199; 473/578, 585, 586, 216,
220, 223; D21/570, 571

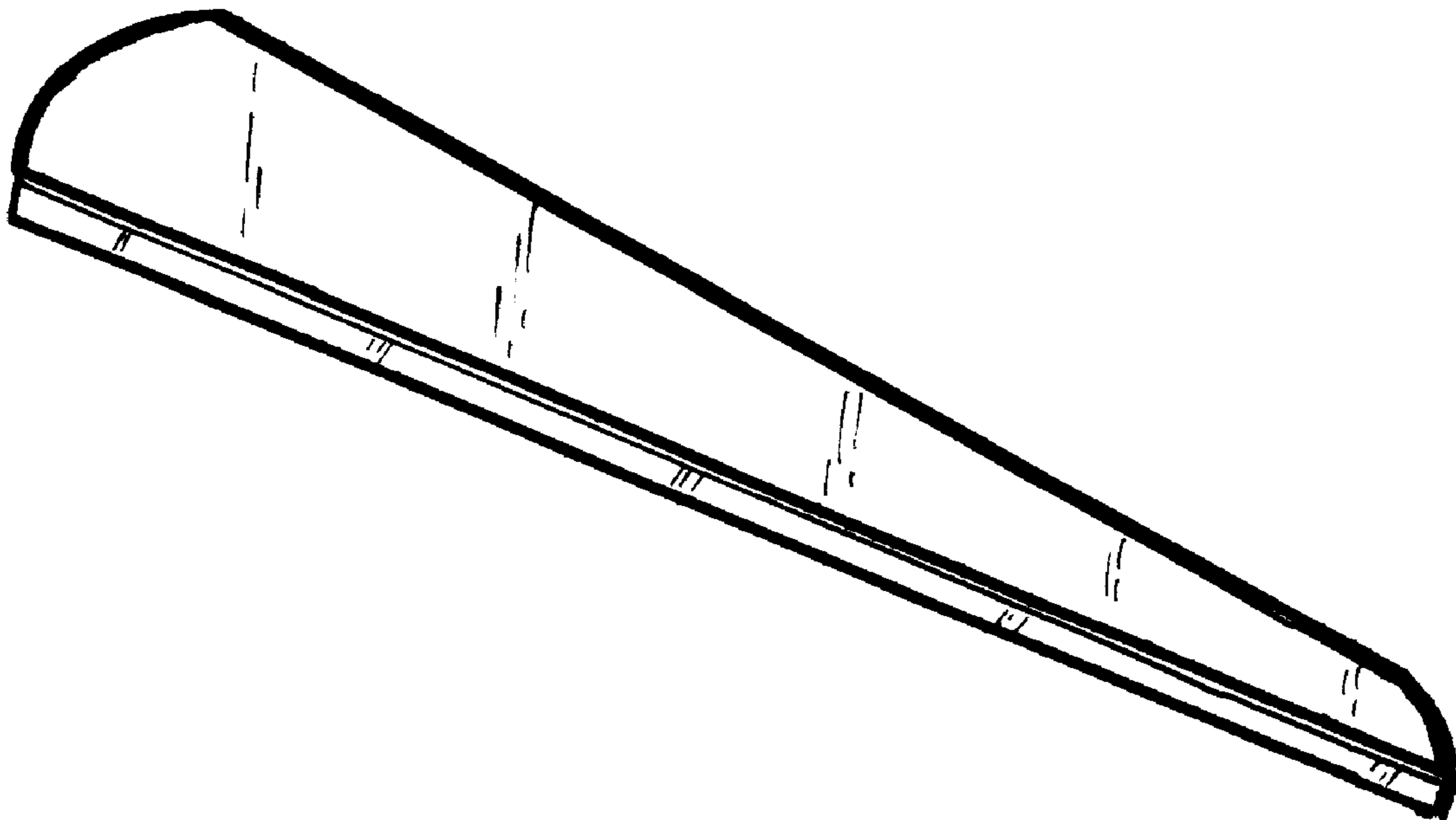
FIG. 1 is a right side view of a first embodiment attachable fletch for arrow showing my new design;
FIG. 2 is a rear view of first embodiment thereof;
FIG. 3 is a left side view of first embodiment thereof;
FIG. 4 is a front side view of first embodiment thereof;
FIG. 5 is a left side view of second embodiment thereof;
FIG. 6 is a front side view of second embodiment thereof;
FIG. 7 is a right side view of second embodiment thereof;
FIG. 8 is a rear side view of second embodiment thereof;
FIG. 9 is a top plan view of second embodiment thereof;
FIG. 10 is a perspective view of second embodiment thereof;
FIG. 11 is a top plan view of first embodiment thereof; and
FIG. 12 is a perspective view of first embodiment thereof.

[56] **References Cited**

U.S. PATENT DOCUMENTS

2,484,589	10/1949	Richards	473/578
2,796,262	6/1957	Folberth, Jr. et al.	473/586
3,756,602	9/1973	Carella	473/586
5,024,448	6/1991	Barrie	473/586
5,039,110	8/1991	Honda	473/586
5,154,432	10/1992	Saunders	473/578

1 Claim, 2 Drawing Sheets



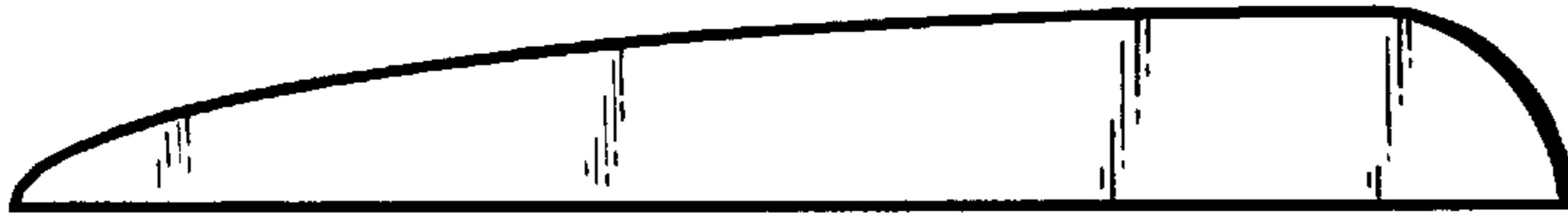


FIG. 1



FIG. 2

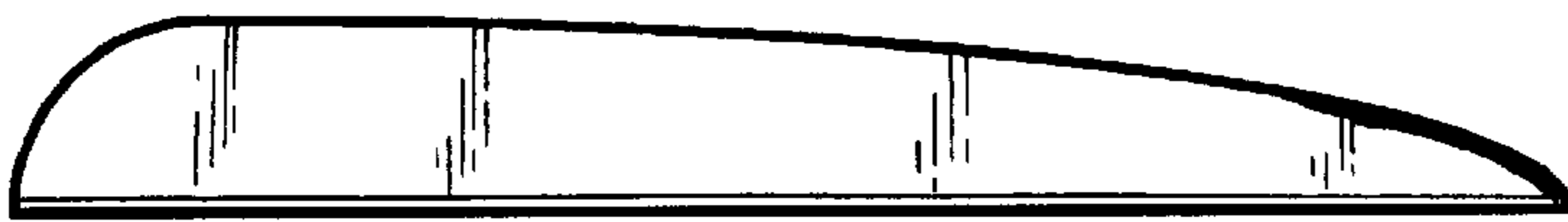


FIG. 3



FIG. 4

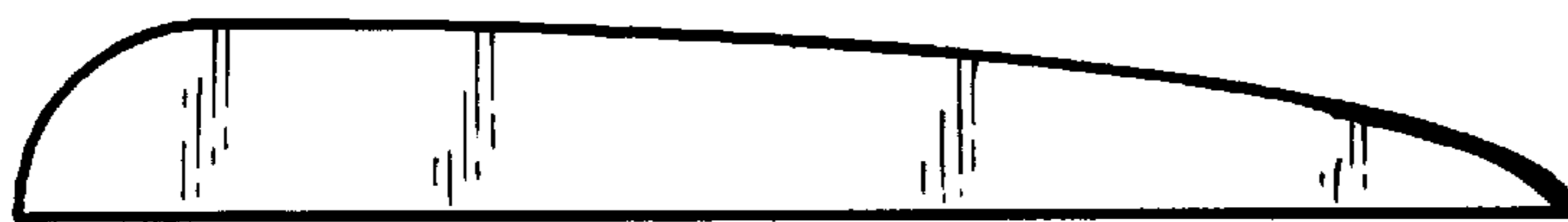


FIG. 5



FIG. 6

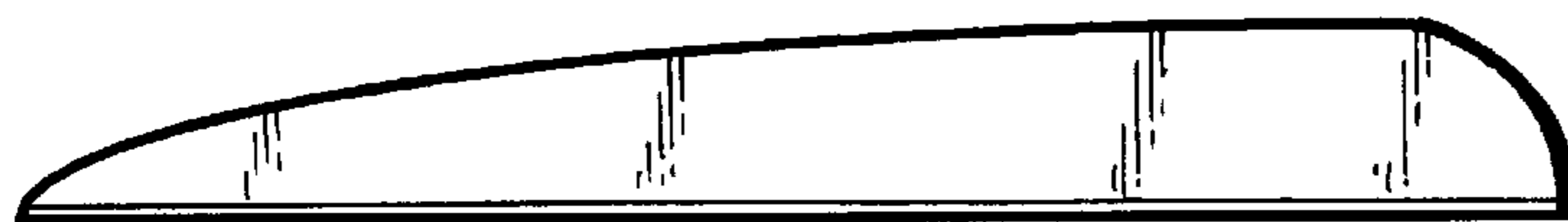


FIG. 7



FIG. 8



FIG. 9

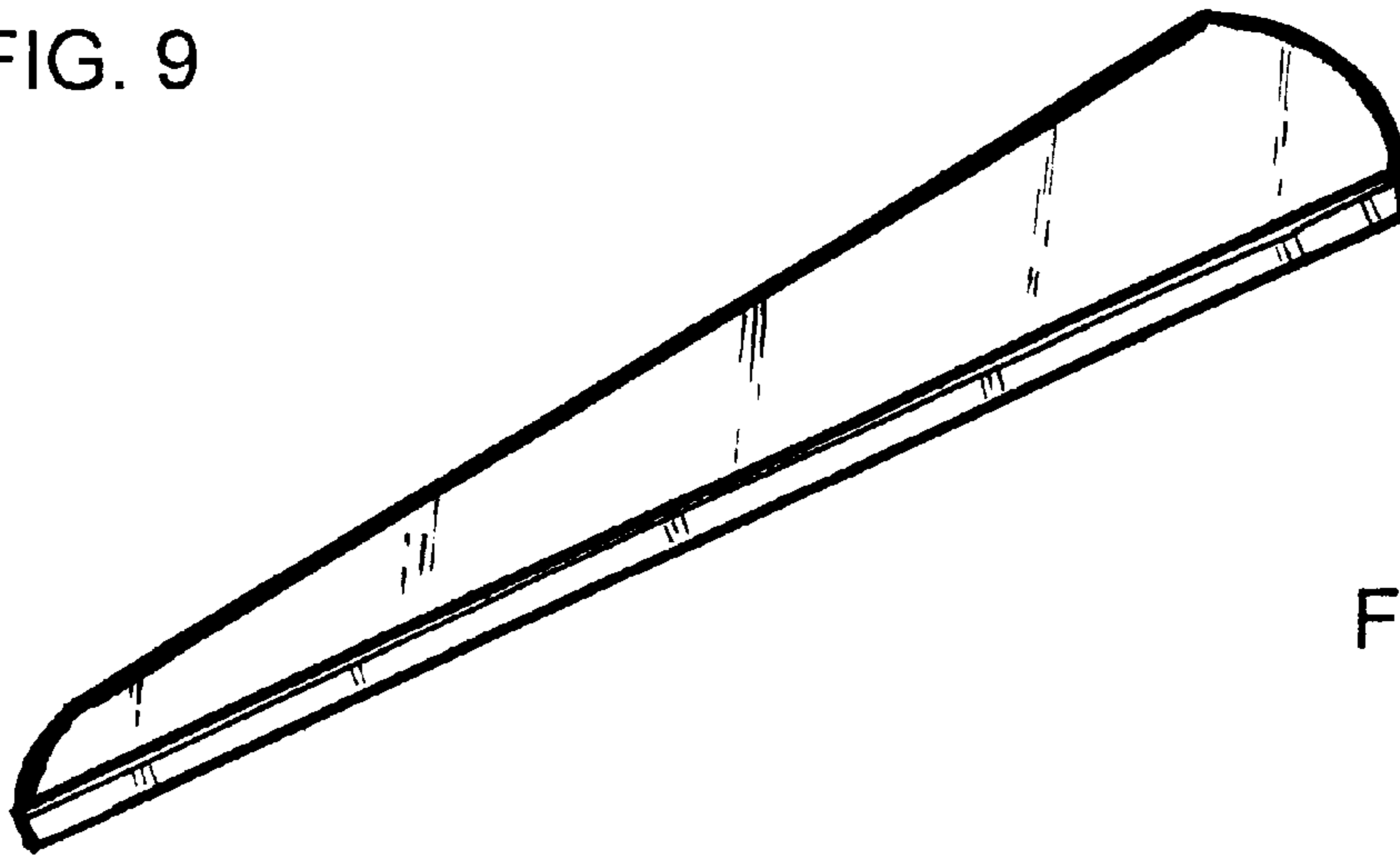


FIG. 10



FIG. 11

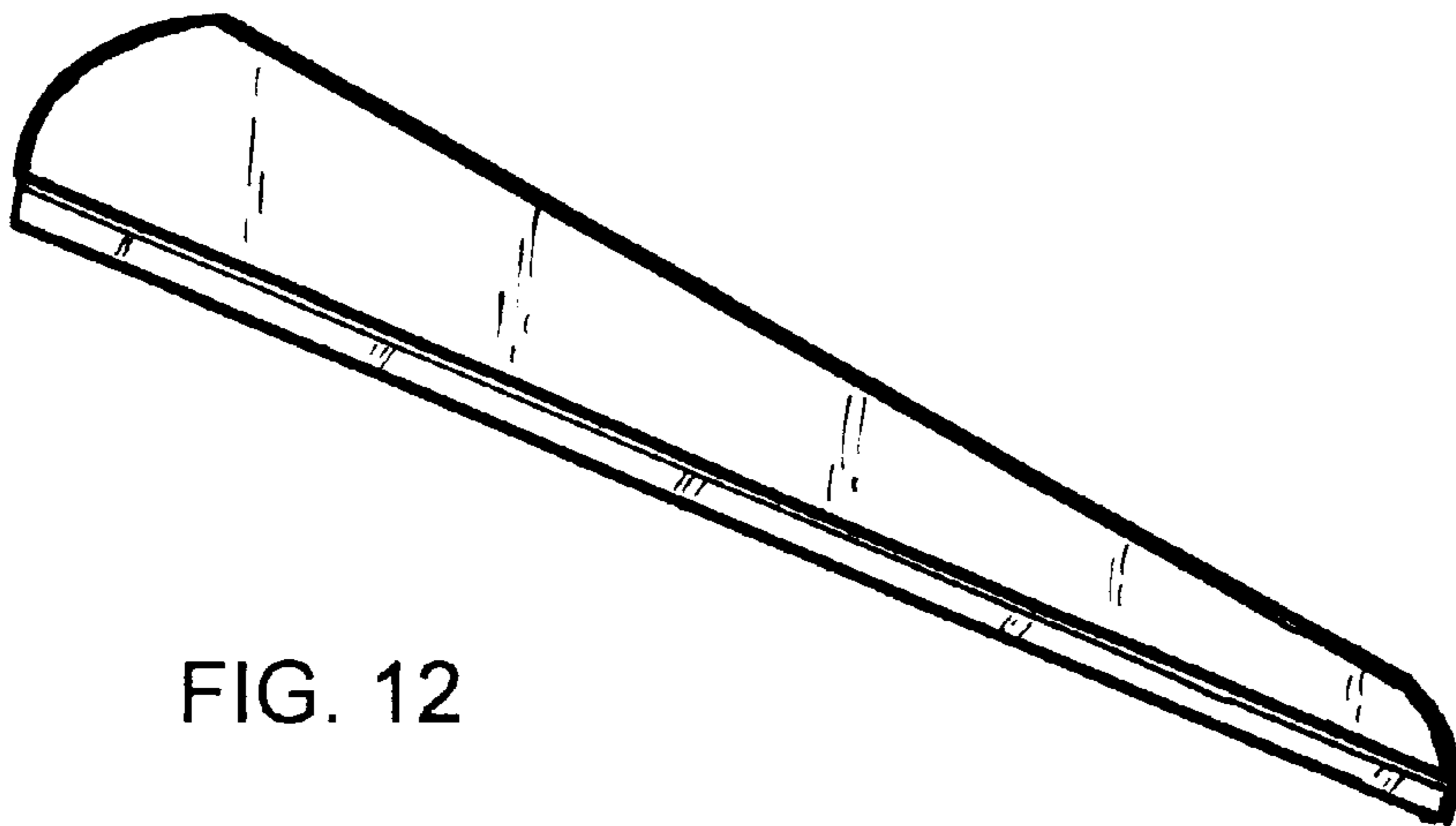


FIG. 12