



US00D418187S

United States Patent [19]

McLane et al.

[11] Patent Number: **Des. 418,187**

[45] Date of Patent: **** Dec. 28, 1999**

[54] PERISCOPE PLAYGROUND PANEL

[75] Inventors: **Kyle McLane, Desloge; Lloyd W. Reese; Mitchell L. Wilgus**, both of Farmington, all of Mo.

[73] Assignee: **Little Tikes Commercial Play Systems Inc.**

[**] Term: **14 Years**

[21] Appl. No.: **29/095,729**

[22] Filed: **Oct. 29, 1998**

[51] LOC (6) Cl. **21-03**

[52] U.S. Cl. **D21/814**

[58] Field of Search D21/811, 814,
D21/818-827; 482/35, 36

[56] References Cited

U.S. PATENT DOCUMENTS

| | | | |
|------------|---------|-------------------|---------|
| D. 224,029 | 6/1972 | Gale et al. | D34/5 |
| D. 303,826 | 10/1989 | Aker | D21/244 |
| D. 333,328 | 2/1993 | Aker et al. | D21/114 |
| D. 334,610 | 4/1993 | Aker | D21/244 |
| D. 343,438 | 1/1994 | Fish, Jr. | D21/244 |
| D. 344,773 | 3/1994 | Aker et al. | D21/244 |
| D. 353,866 | 12/1994 | Houry et al. | D21/240 |
| D. 355,693 | 2/1995 | Aker et al. | D21/244 |
| D. 358,441 | 5/1995 | Houry et al. | D21/814 |
| D. 358,860 | 5/1995 | Pipik | D21/245 |
| D. 361,614 | 8/1995 | Aker et al. | D21/244 |

| | | | |
|------------|---------|------------------------|---------|
| D. 367,694 | 3/1996 | Van Huystee | D21/244 |
| D. 372,757 | 8/1996 | Martin et al. | D21/244 |
| D. 377,074 | 12/1996 | Ford et al. | D21/243 |
| D. 377,075 | 12/1996 | Temple et al. | D21/244 |
| D. 377,203 | 1/1997 | Jaeb | D21/244 |
| D. 380,519 | 7/1997 | Van Huystee | D21/814 |
| D. 381,730 | 7/1997 | Van Huystee | D21/814 |
| D. 387,119 | 12/1997 | Bookstaver et al. | D21/814 |
| D. 401,640 | 11/1998 | Van Wagensen | D21/814 |

OTHER PUBLICATIONS

Catalog page, Playground panel; Step2 Corporation, 10010 Aurora-Hudson Road, P. O. Box 2412, Streetsboro, Ohio 44241-0412. Publication date 1993.

Primary Examiner—Mitchell Siegel
Attorney, Agent, or Firm—Richard B. O’Planick

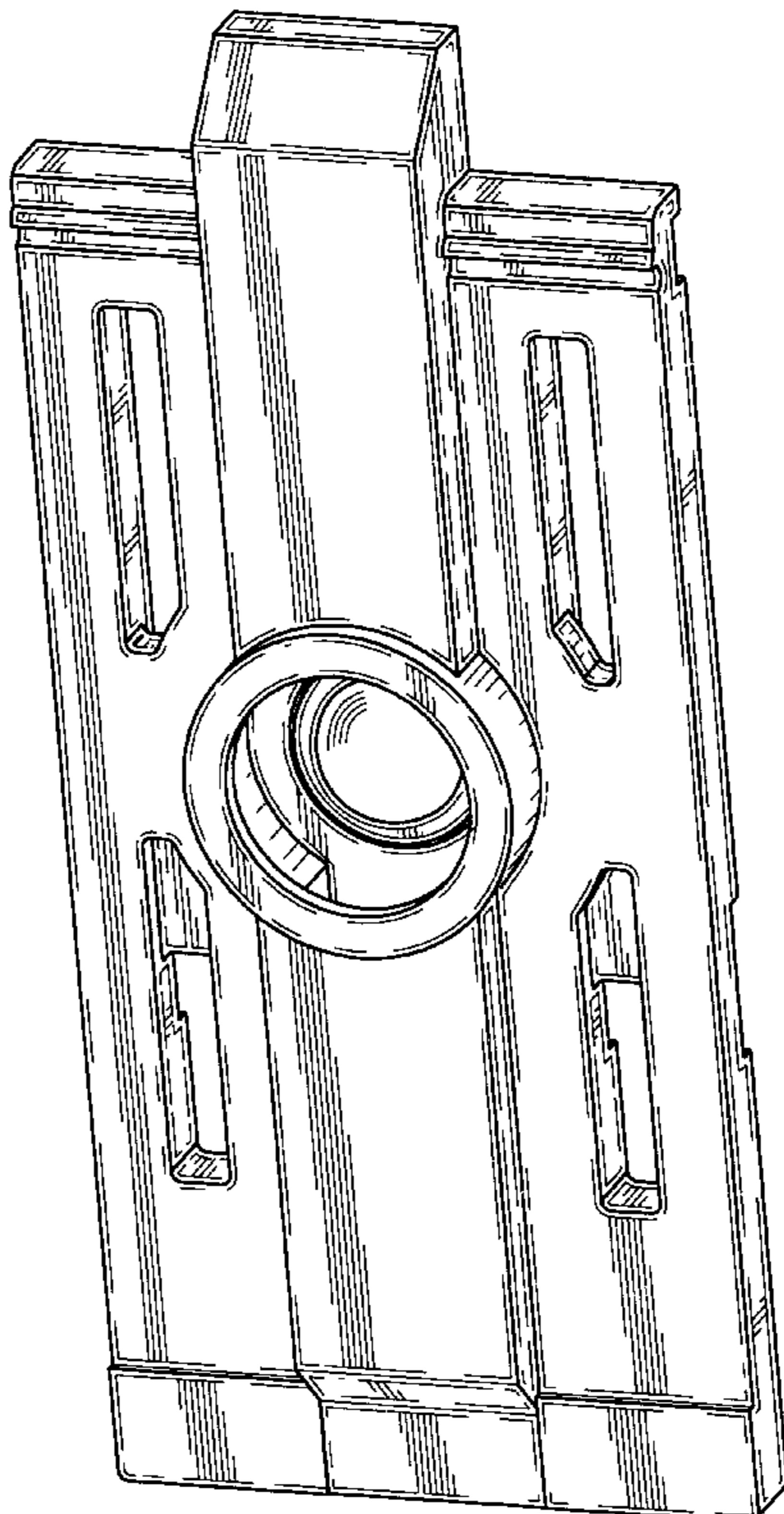
[57] CLAIM

The ornamental design for a periscope playground panel, as shown and described.

DESCRIPTION

FIG. 1 is a top right front perspective view of a periscope playground panel showing our new design; FIG. 2 is a front elevational view thereof; FIG. 3 is a top plan view thereof; FIG. 4 is a bottom plan view thereof; FIG. 5 is a right side elevational view thereof; the left side elevational view being a mirror image; and, FIG. 6 is a rear elevational view thereof.

1 Claim, 6 Drawing Sheets



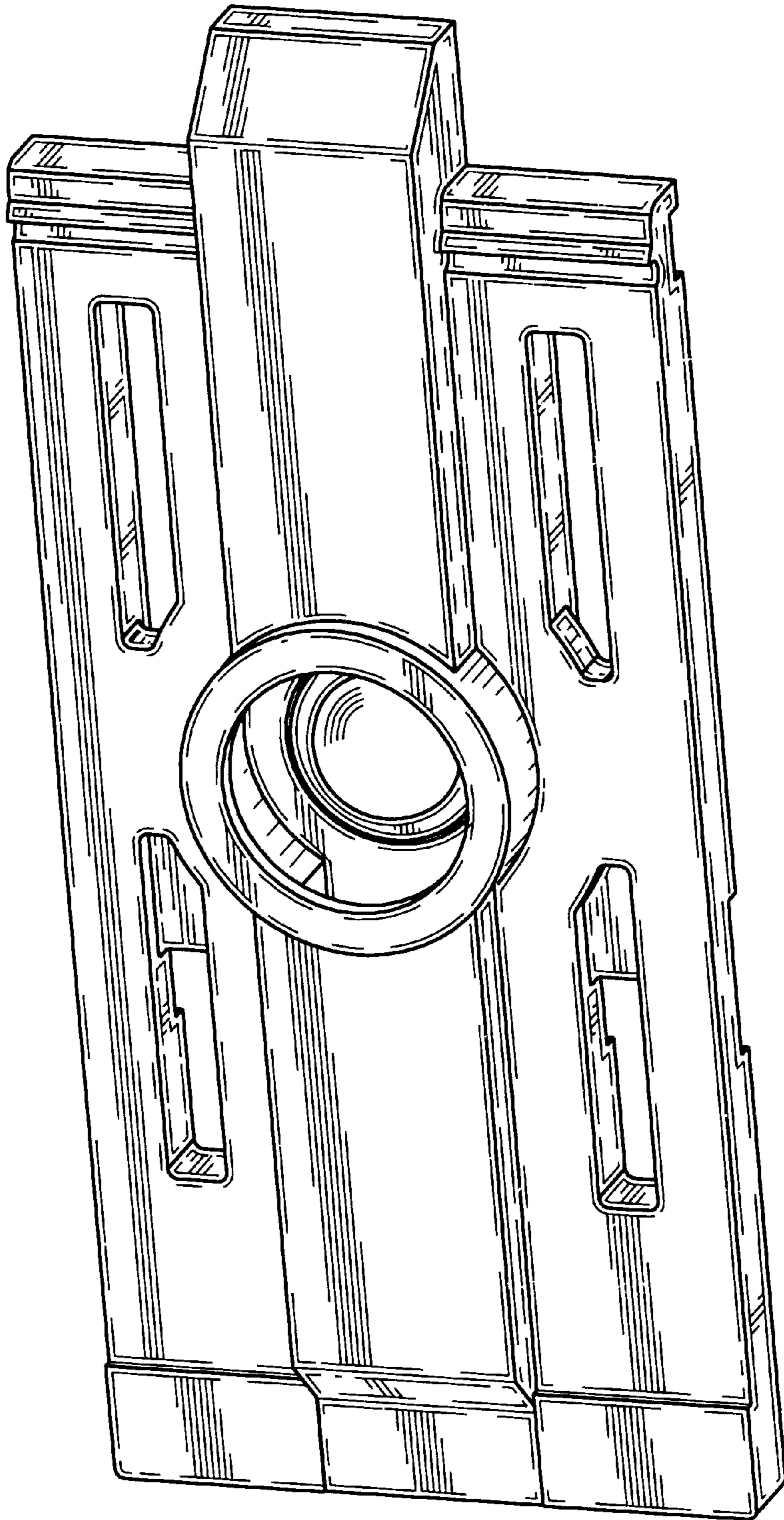


FIG. 1

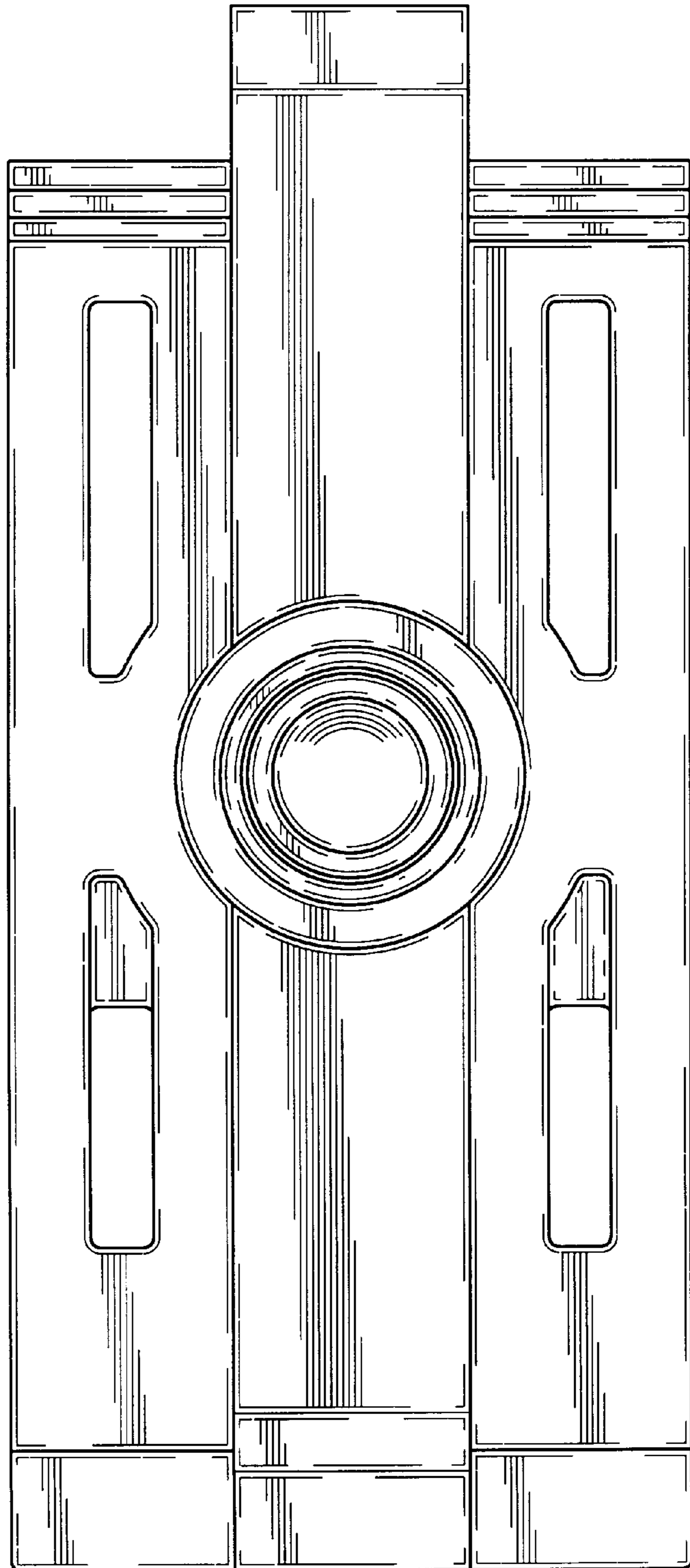


FIG. 2

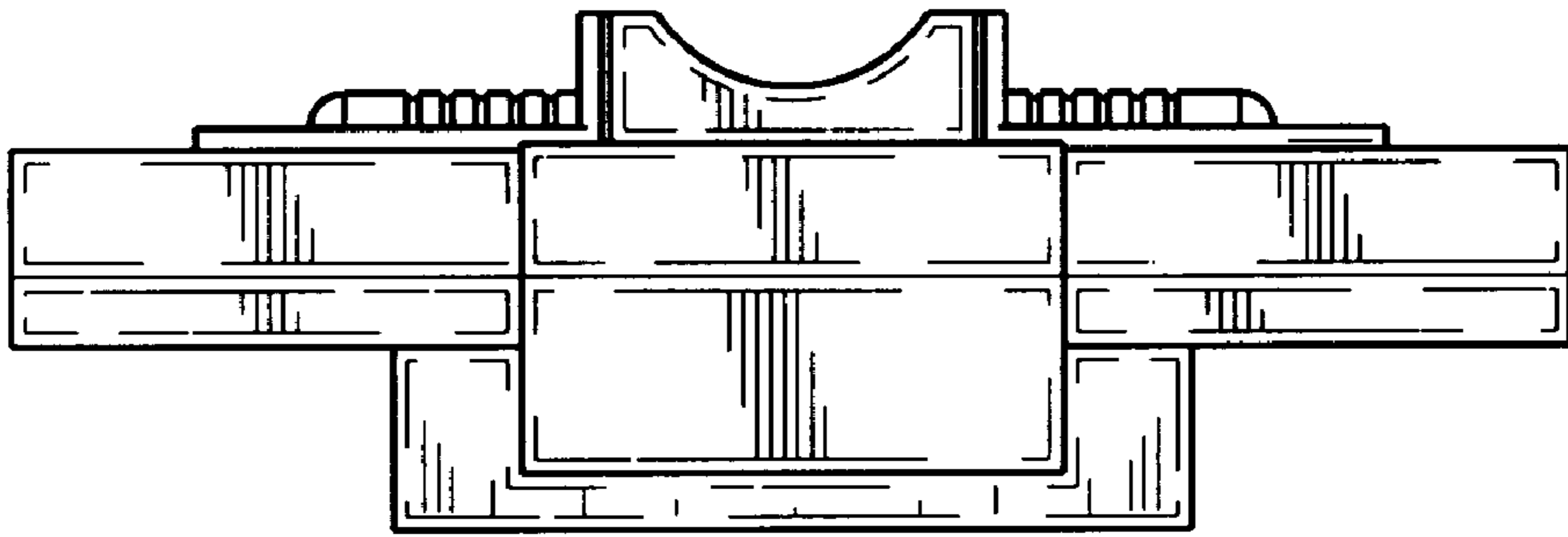


FIG. 3

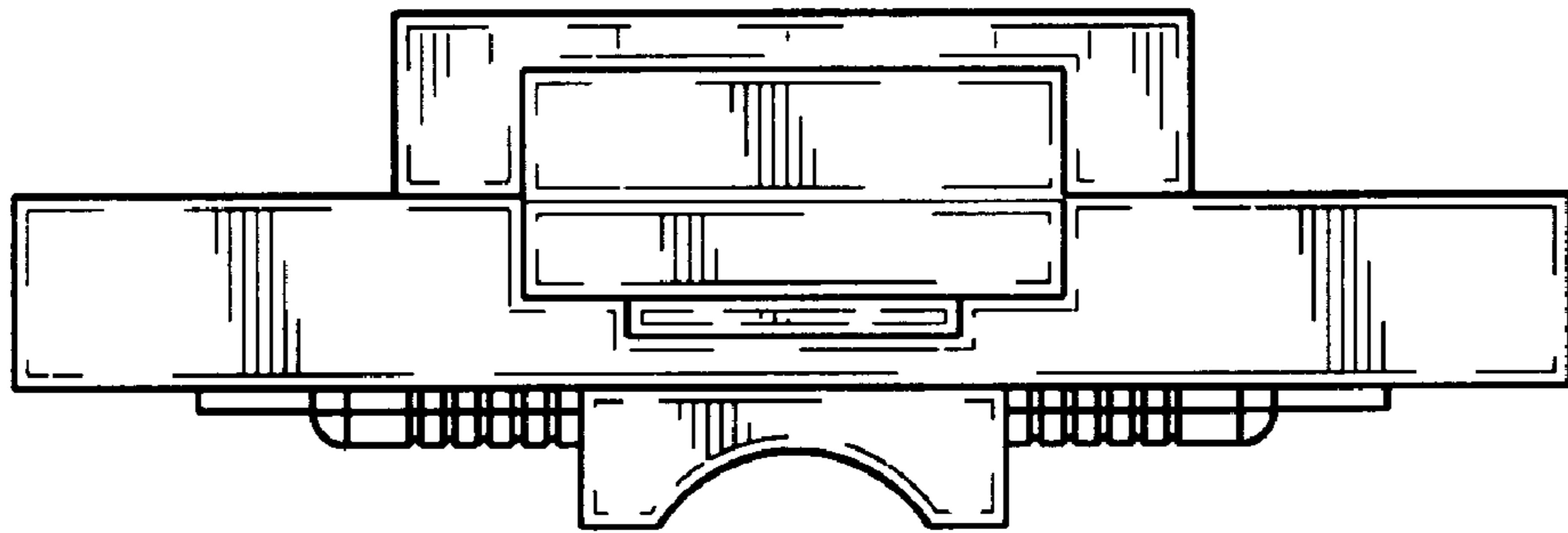


FIG. 4

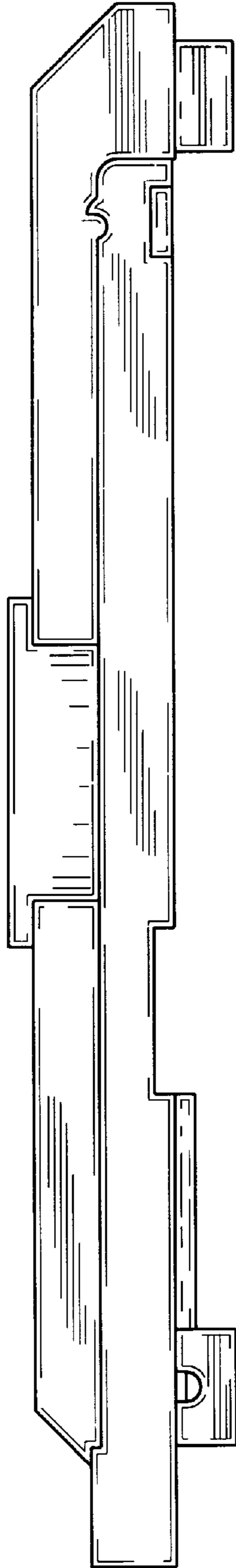


FIG. 5

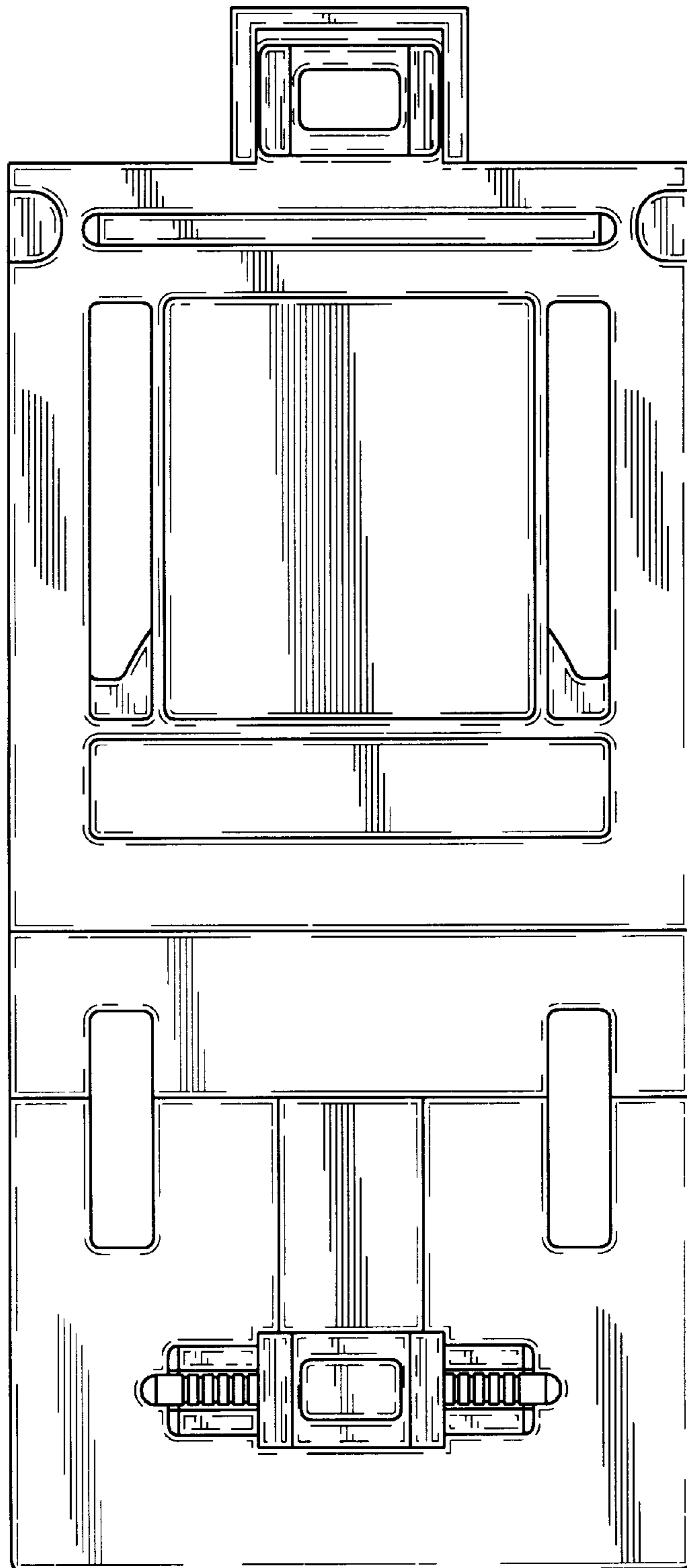


FIG. 6