



US00D418185S

United States Patent [19]

McCormick et al.

[11] Patent Number: Des. 418,185

[45] Date of Patent: ** Dec. 28, 1999

[54] BILLIARD TABLE

[75] Inventors: William R. McCormick, Kenosha;
Peter A. Douglas, Elkhorn, both of Wis.

[73] Assignee: Brunswick Bowling & Billiards,
Corporation, Muskegon, Mich.

[**] Term: 14 Years

[21] Appl. No.: 29/087,012

[22] Filed: Apr. 24, 1998

[51] LOC (6) Cl. 06-03

[52] U.S. Cl. D21/784

[58] Field of Search D21/782, 783,
D21/784; 473/1, 4, 17, 29, 33, 21, 28

[56] **References Cited**

U.S. PATENT DOCUMENTS

D. 23,221	4/1894	Bensinger	D21/784
D. 115,647	7/1939	Deskey	D21/784
D. 208,257	8/1967	Kotler	D21/784
D. 394,485	5/1998	Flathers	D21/783
1,792,166	2/1931	Horstmann	473/4 X

2,470,239	5/1949	Correale et al.	473/4
5,066,008	11/1991	Rivera	473/4 X
5,791,758	8/1998	Morgan et al.	473/4 X

OTHER PUBLICATIONS

Recreation Products Inc. p. 135, Sep. 1964.

Primary Examiner—Prabhakar Deshmukh
Attorney, Agent, or Firm—Price, Heneveld, Cooper, DeWitt & Litton

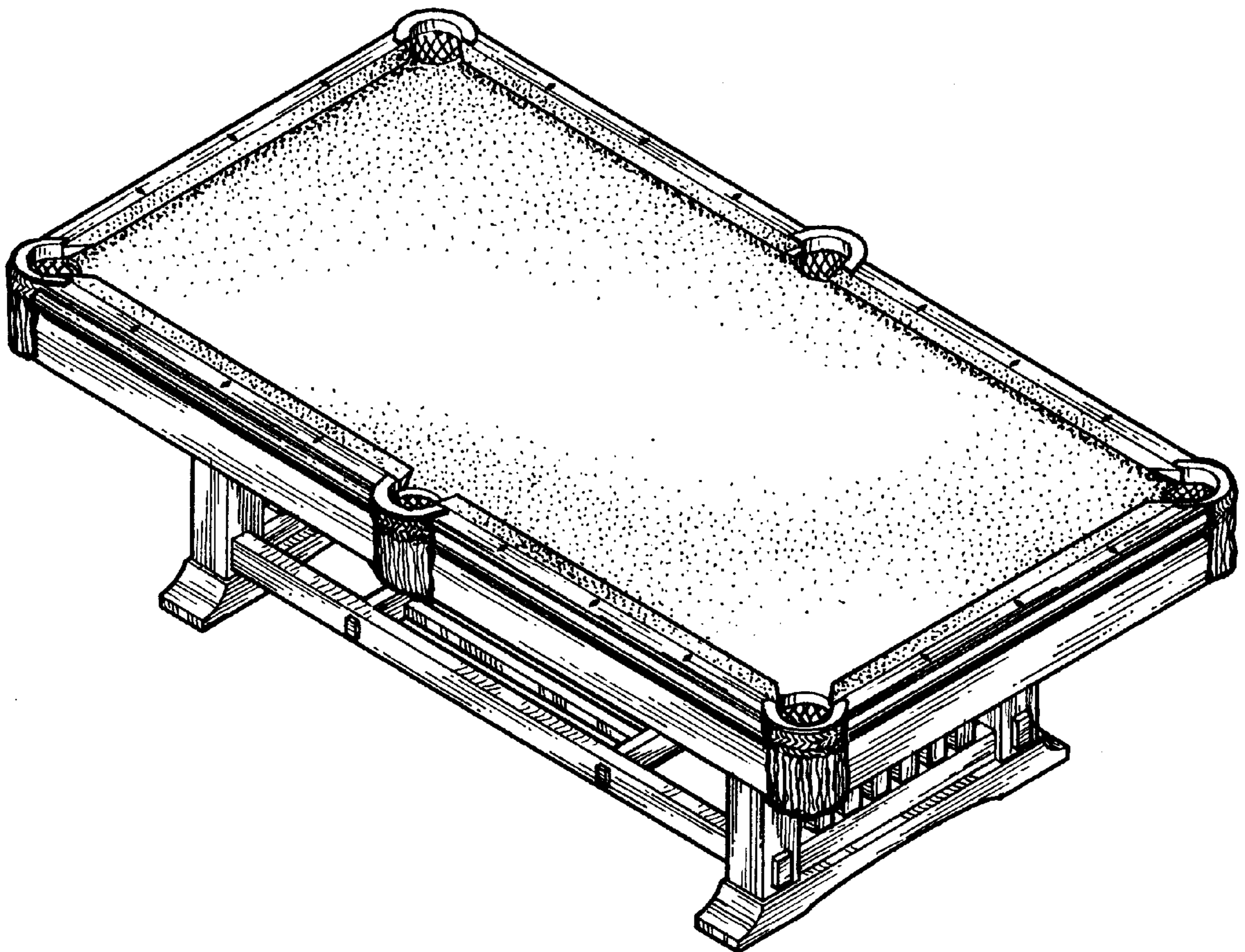
[57] **CLAIM**

The ornamental design for billiard table, as shown and described.

DESCRIPTION

FIG. 1 is a perspective view of a billiard table showing our new design;
FIG. 2 is a front elevational view thereof; the rear elevational view being a mirror image thereof;
FIG. 3 is a right side elevational view thereof; the left side elevational view being a mirror image thereof;
FIG. 4 is a top plan view thereof; and,
FIG. 5 is a bottom plan view thereof.

1 Claim, 3 Drawing Sheets



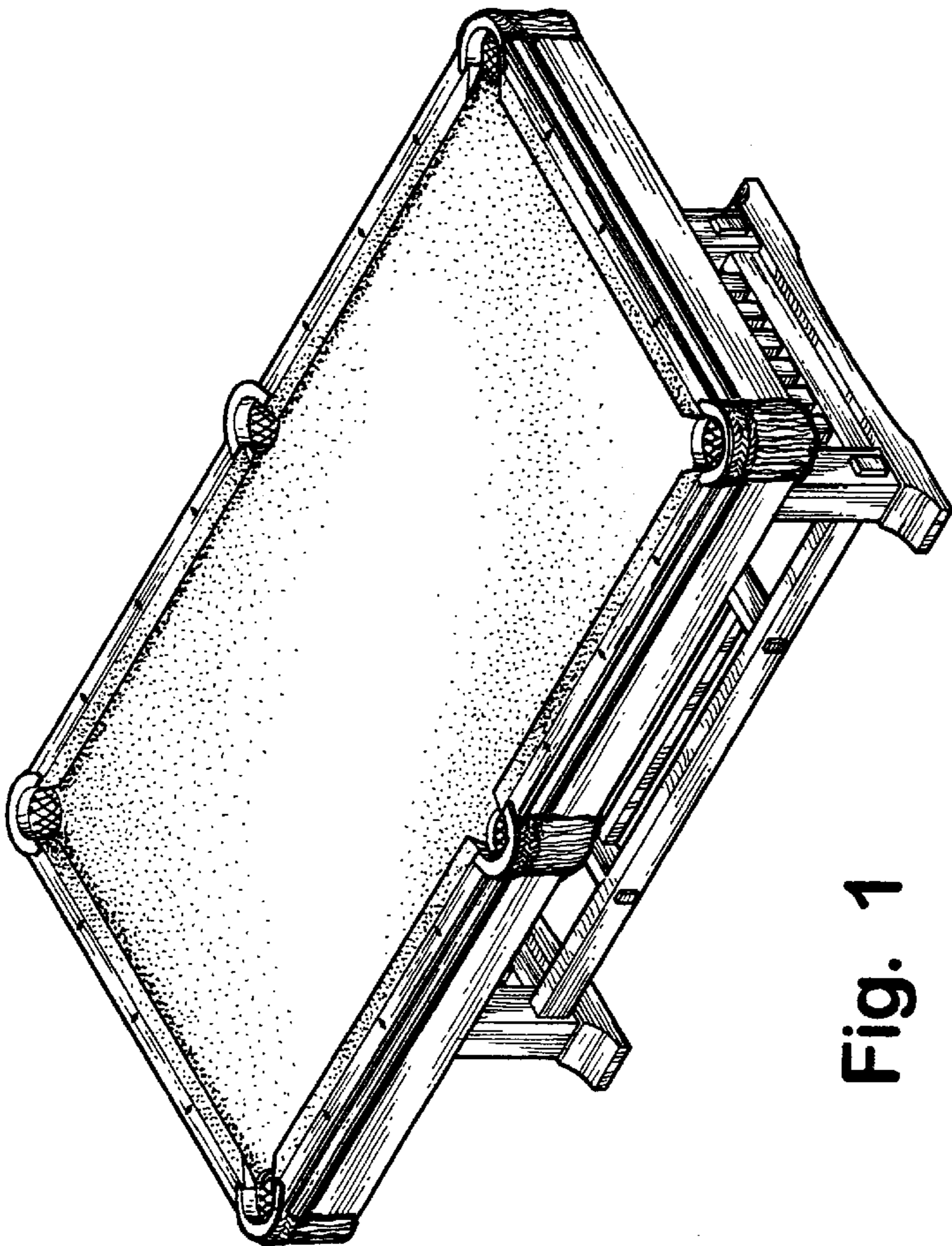


Fig. 1

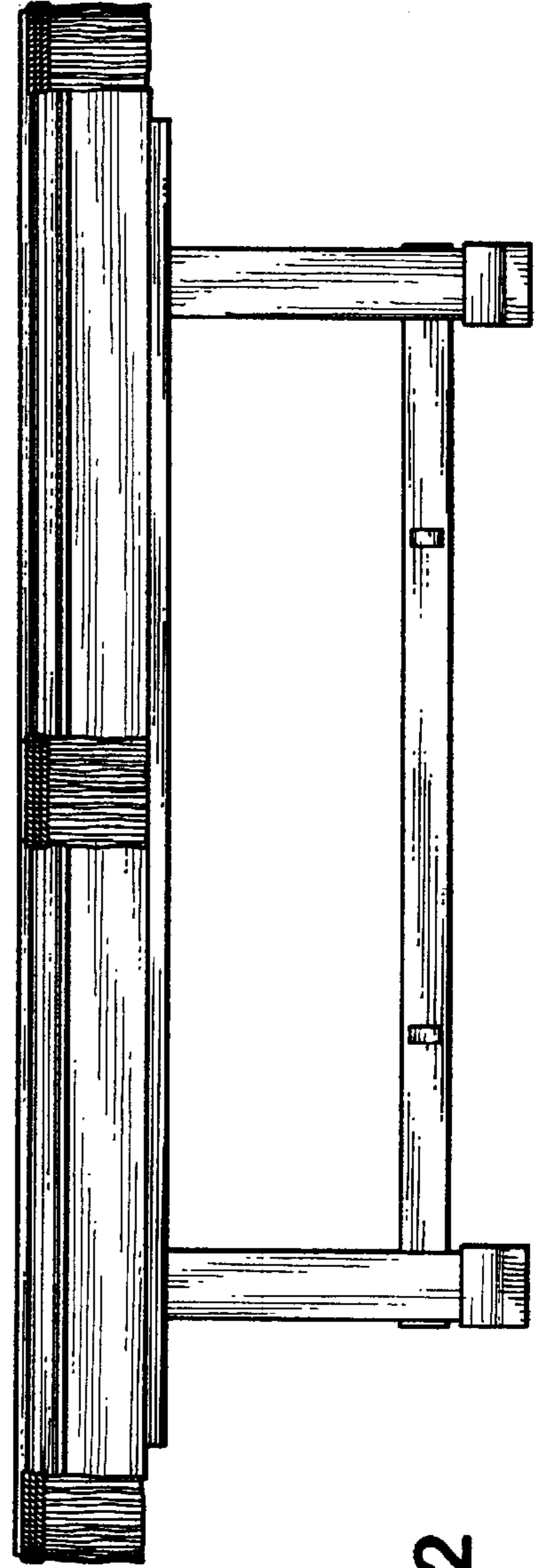


Fig. 2

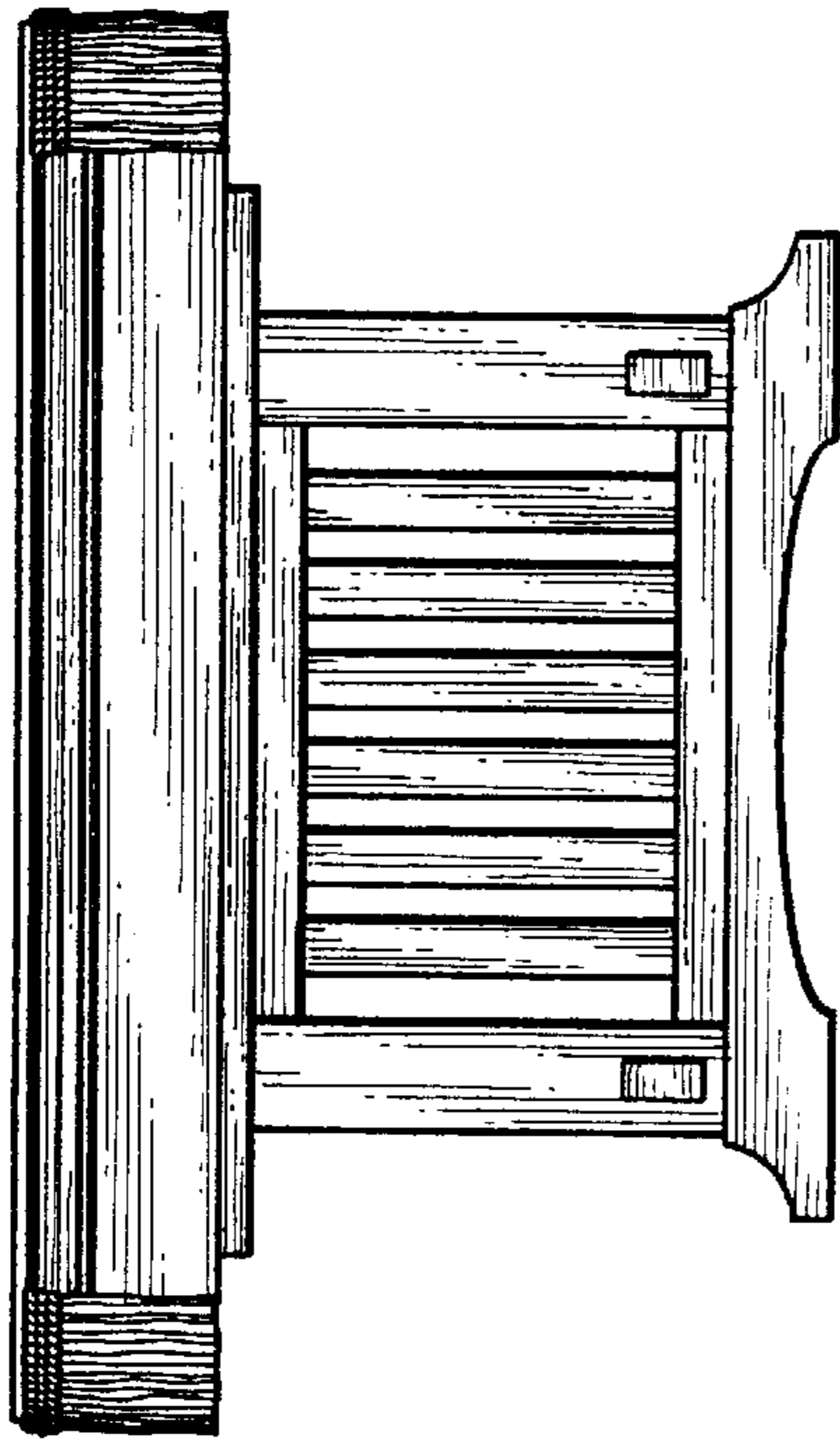


Fig. 3

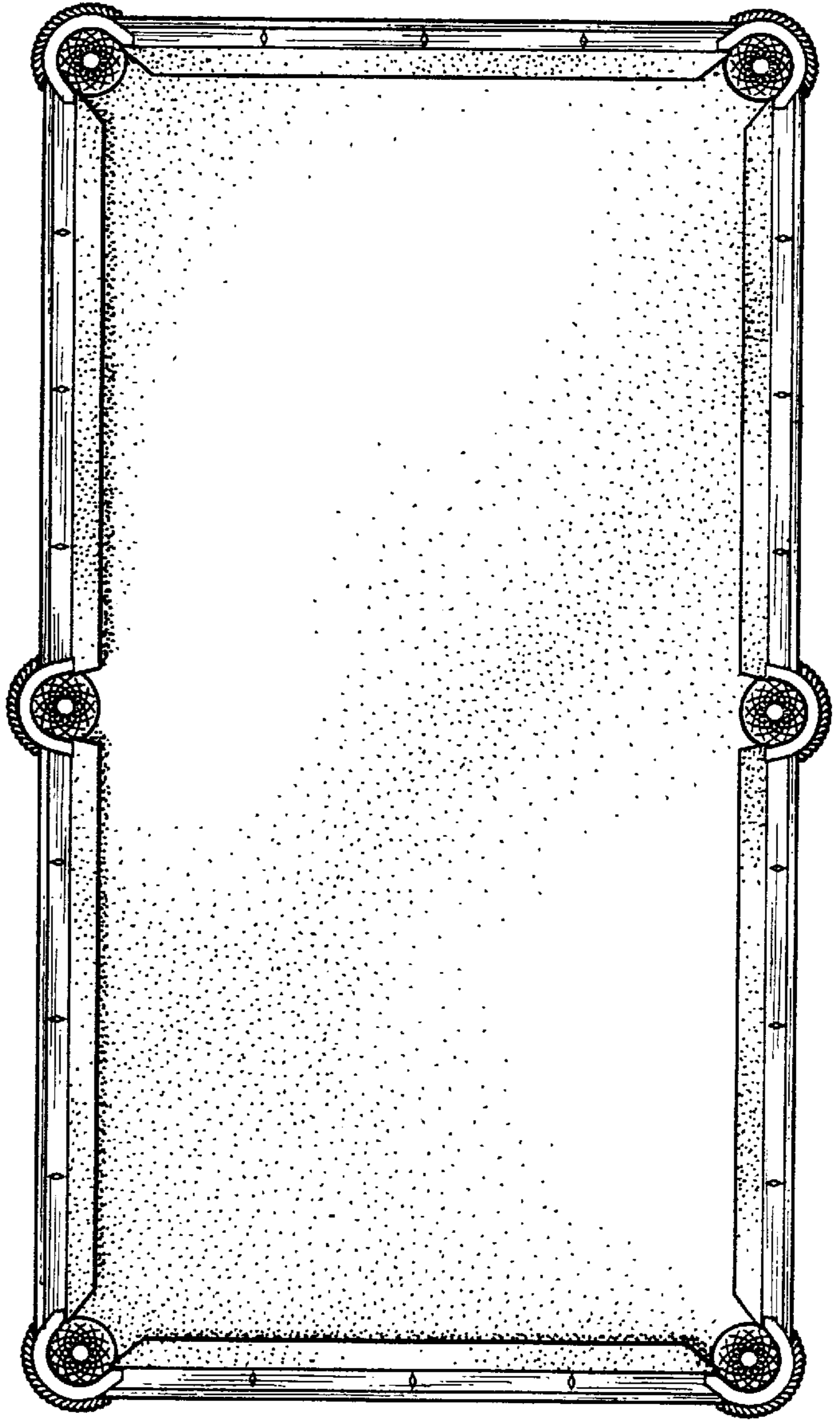


Fig. 4

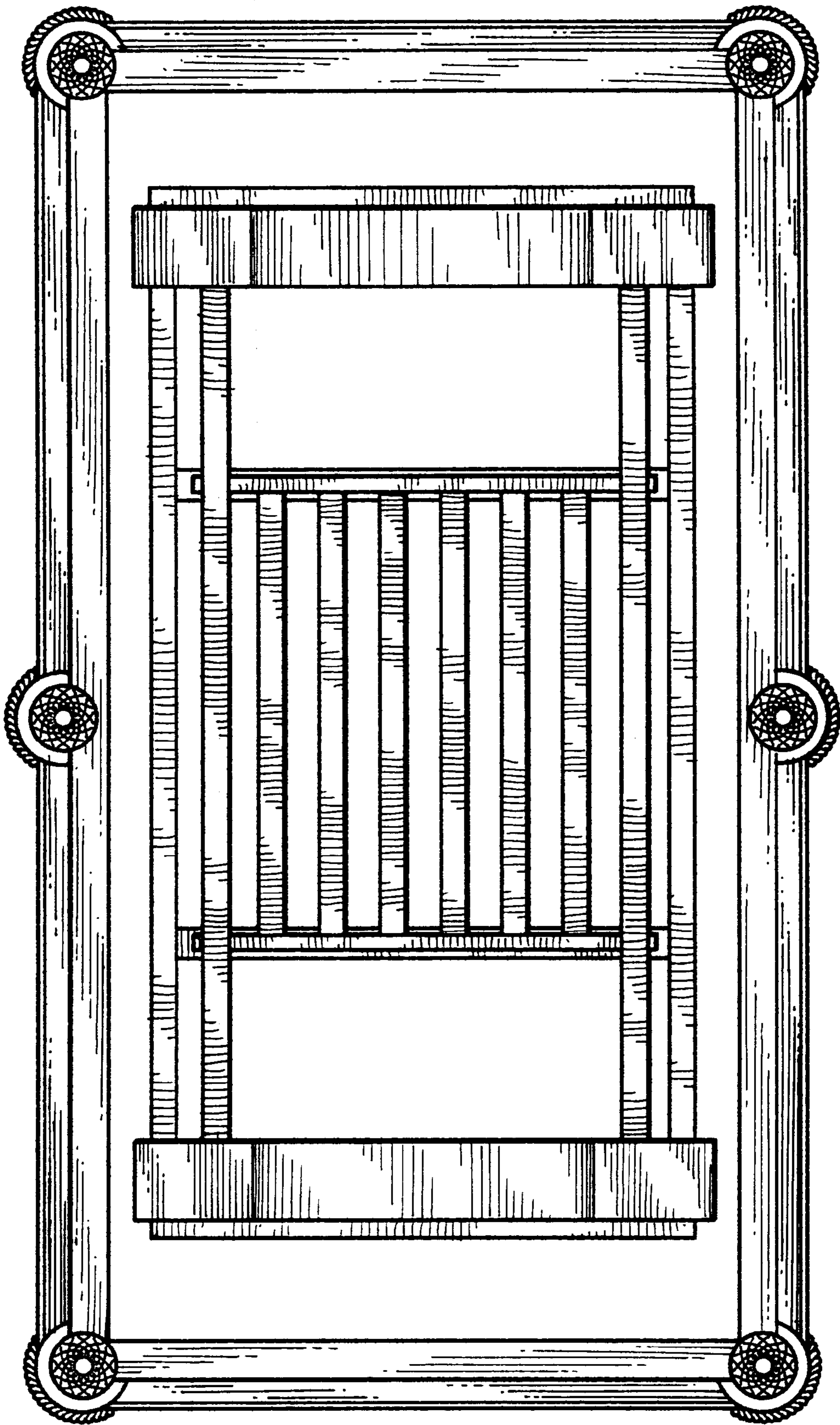


Fig. 5