



US00D418176S

# United States Patent [19]

[11] Patent Number: Des. 418,176

Nally et al.

[45] Date of Patent: \*\* Dec. 28, 1999

[54] HOCKEY GAME TABLE

5,417,421 5/1995 Bagley ..... 273/108

[75] Inventors: Michael Nally; Douglas J. Flood, both of Ridgewood, N.J.; Bruce Maguire, Ridgefield, Conn.; James O’Keeffe, Rivervale, N.J.; Sigmund Nowakowski, Niles, Ill.

Primary Examiner—Sandra L. Morris  
Attorney, Agent, or Firm—Collier, Shannon, Rill & Scott, PLLC

[73] Assignee: Sportcraft, Ltd., Mt. Olive, N.J.

[57] CLAIM  
The ornamental design for a hockey game table, as shown and described.

[\*\*] Term: 14 Years

### DESCRIPTION

[21] Appl. No.: 29/088,047

FIG. 1 is a right front perspective view of a hockey game table showing our new design;  
FIG. 2 is a right side elevational view thereof, the left side being symmetrical;  
FIG. 3 is an overhead view thereof;  
FIG. 4 is a bottom plan view thereof;  
FIG. 5 is front elevation view thereof, the rear side being symmetrical;  
FIG. 6 is a sectional view of the right front side thereof;  
FIG. 7 is a right front perspective view of second embodiment of the design shown in FIG. 1;  
FIG. 8 is an overhead view thereof;  
FIG. 9 is a left front perspective view of a third embodiment of the design shown in FIG. 1;  
FIG. 10 is a left side elevational view thereof, the right side being symmetrical;  
FIG. 11 is an overhead view thereof;  
FIG. 12 is a bottom plan view thereof;  
FIG. 13 is front elevation view thereof, the rear side being symmetrical;  
FIG. 14 is sectional view of the left front side thereof;  
FIG. 15 is an overhead view of a fourth embodiment of the design shown in FIG. 1; and,  
FIG. 16 is a right front perspective view thereof.  
The broken line showing of the table legs is for illustrative purposes only, and forms no part of the claimed design.

[22] Filed: May 14, 1998

### Related U.S. Application Data

[62] Division of application No. 29/066,537, Feb. 14, 1997, Pat. No. Des. 400,950.

[51] LOC (6) Cl. .... 21-01

[52] U.S. Cl. .... D21/397; D21/341

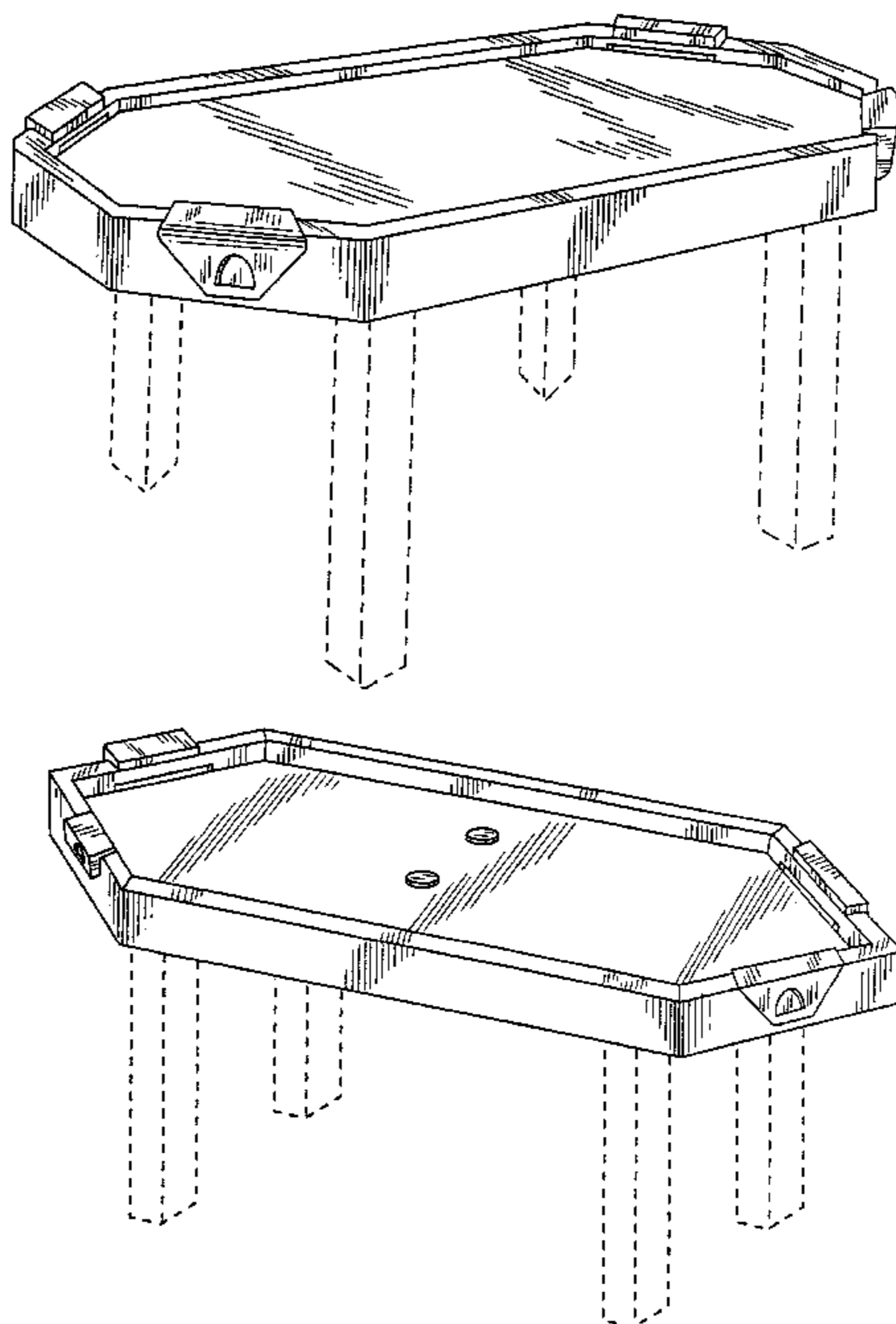
[58] Field of Search ..... D21/334–368,  
D21/397, 783, 784; 273/236–285

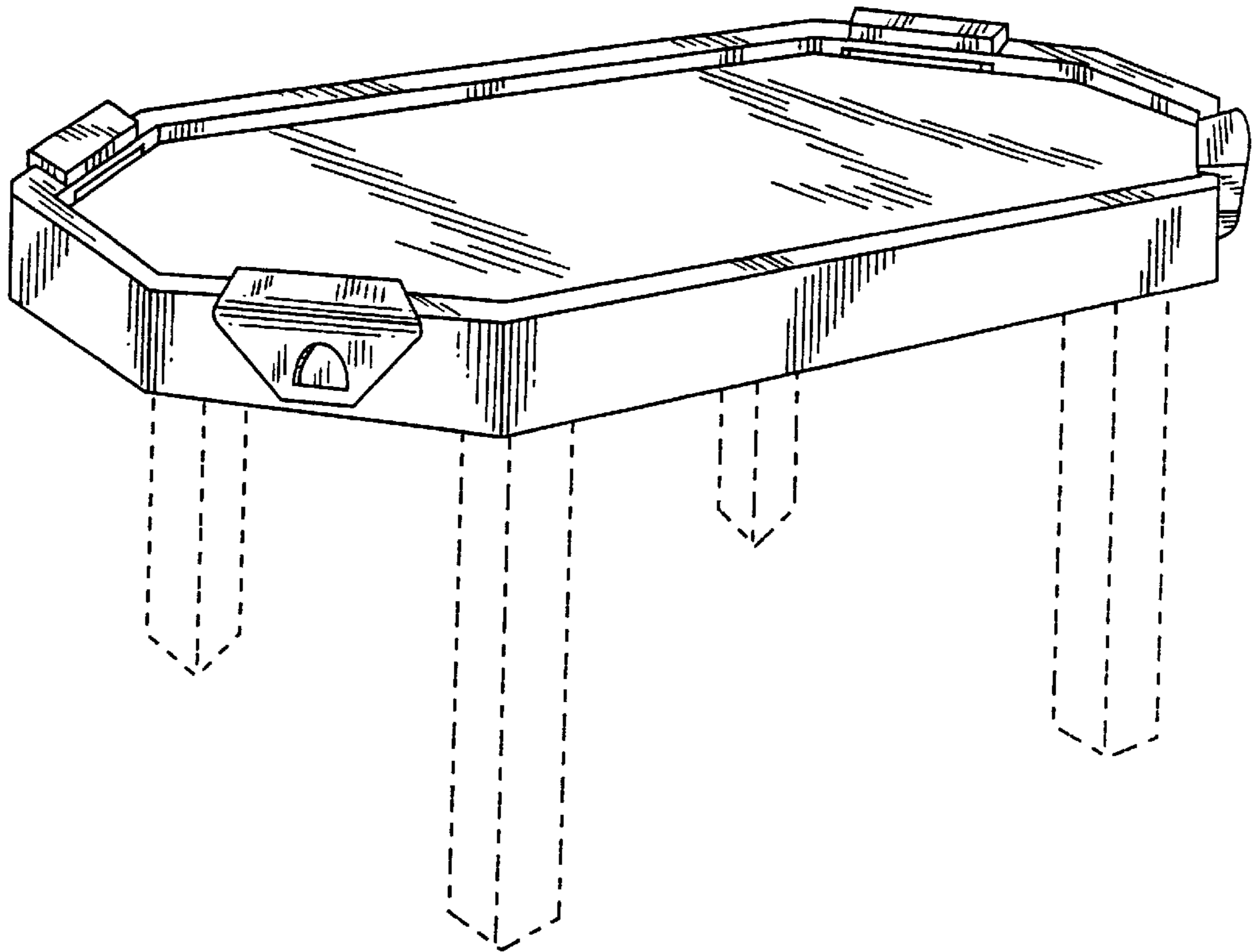
### [56] References Cited

#### U.S. PATENT DOCUMENTS

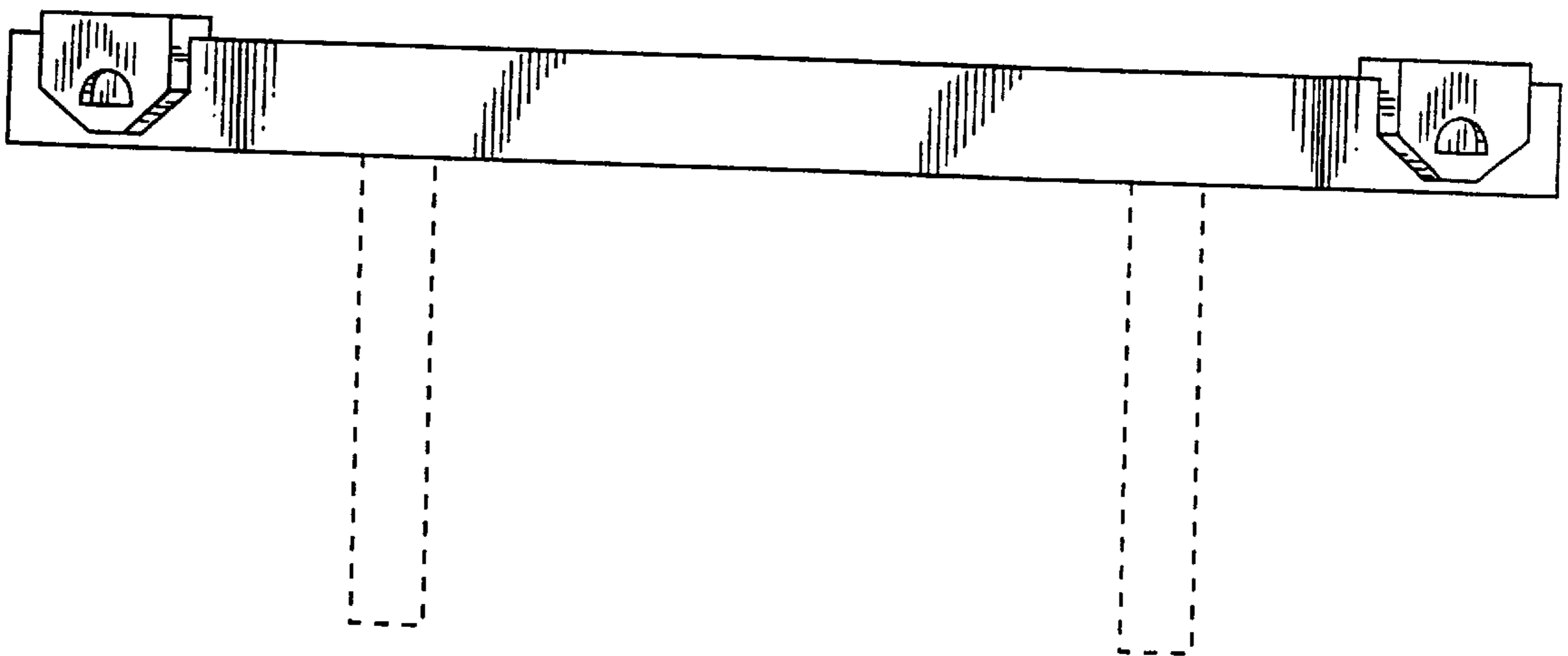
D. 86,218	2/1932	Cannon	.....	D21/783
D. 242,478	11/1976	Howell	.....	D21/314
D. 290,796	7/1987	Becker	.....	D6/480
D. 306,107	2/1990	Grosfillex	.....	D6/480
D. 348,298	6/1994	Fitzhugh	.....	D21/784
D. 359,787	6/1995	Cooper	.....	D21/783
3,722,888	3/1973	Ducharme	.....	273/126 R
3,773,325	11/1973	Crossman et al.	.....	273/126 R
3,947,035	3/1976	Bouchard	.....	273/126 R
3,954,267	5/1976	Freeman et al.	.....	273/126 A
4,294,449	10/1981	Shaw	.....	273/126 R
4,834,371	5/1989	Hay et al.	.....	273/85 B
5,356,143	10/1994	Hylak	.....	273/126 A

1 Claim, 11 Drawing Sheets

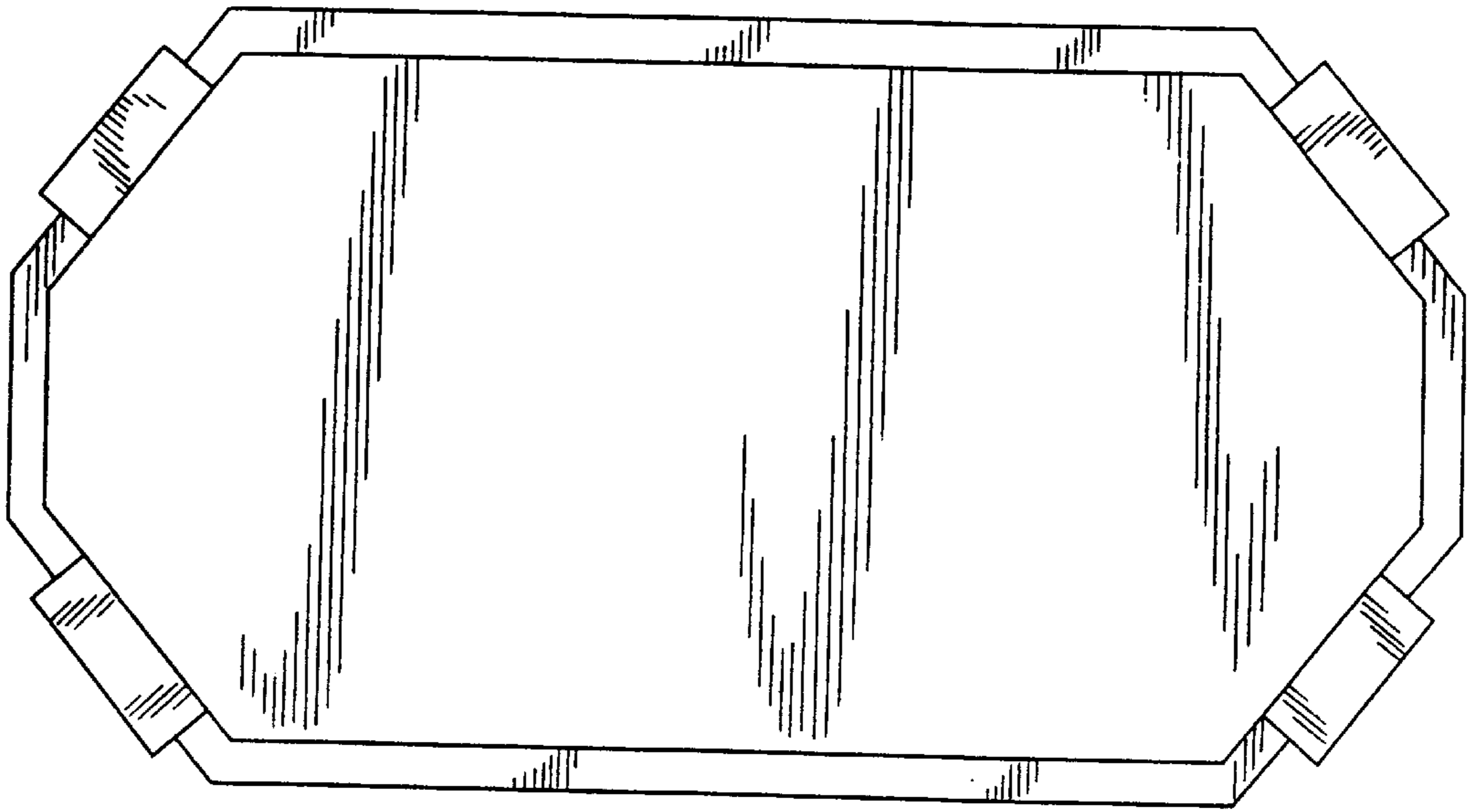




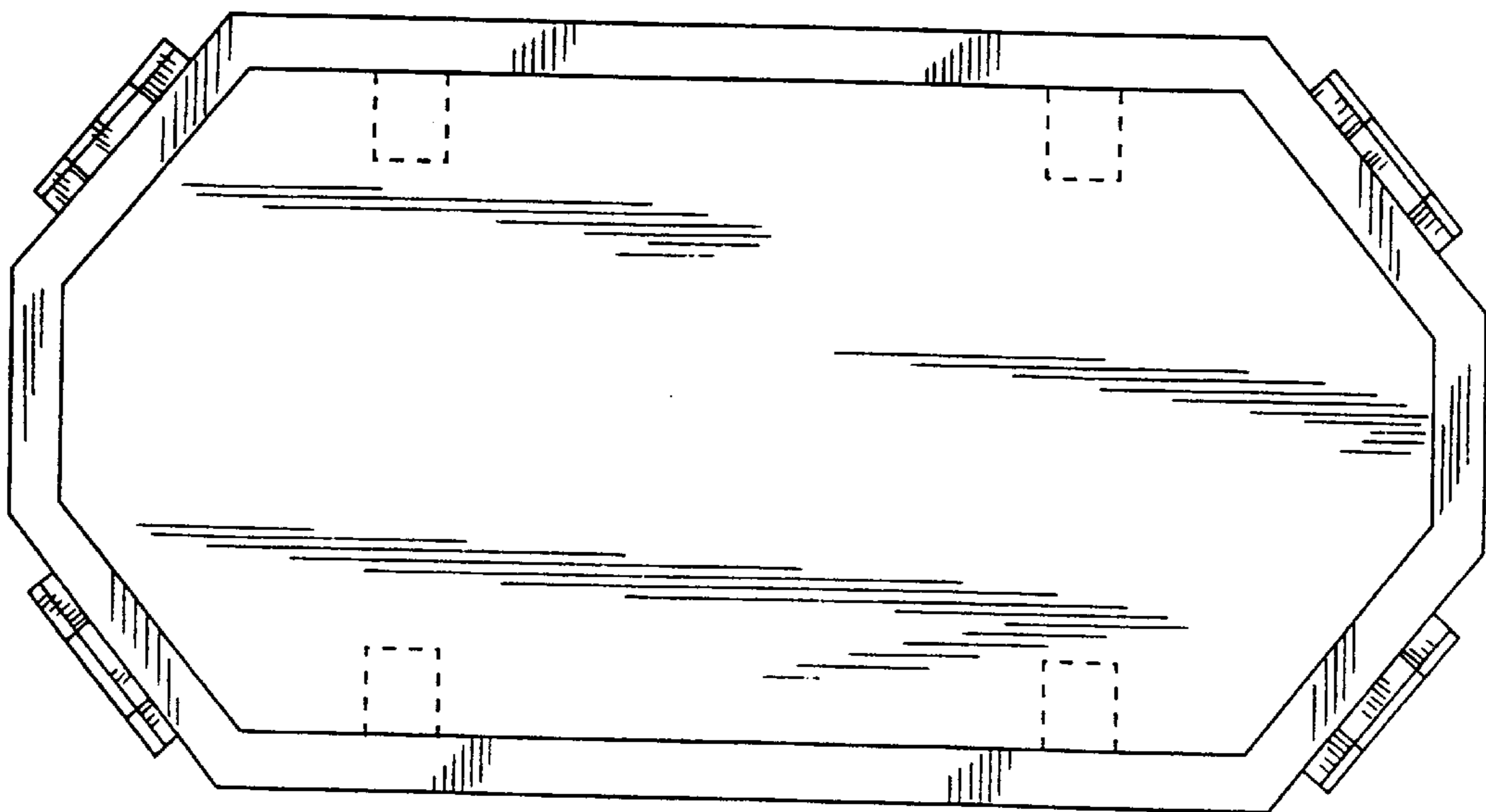
**FIG. 1**



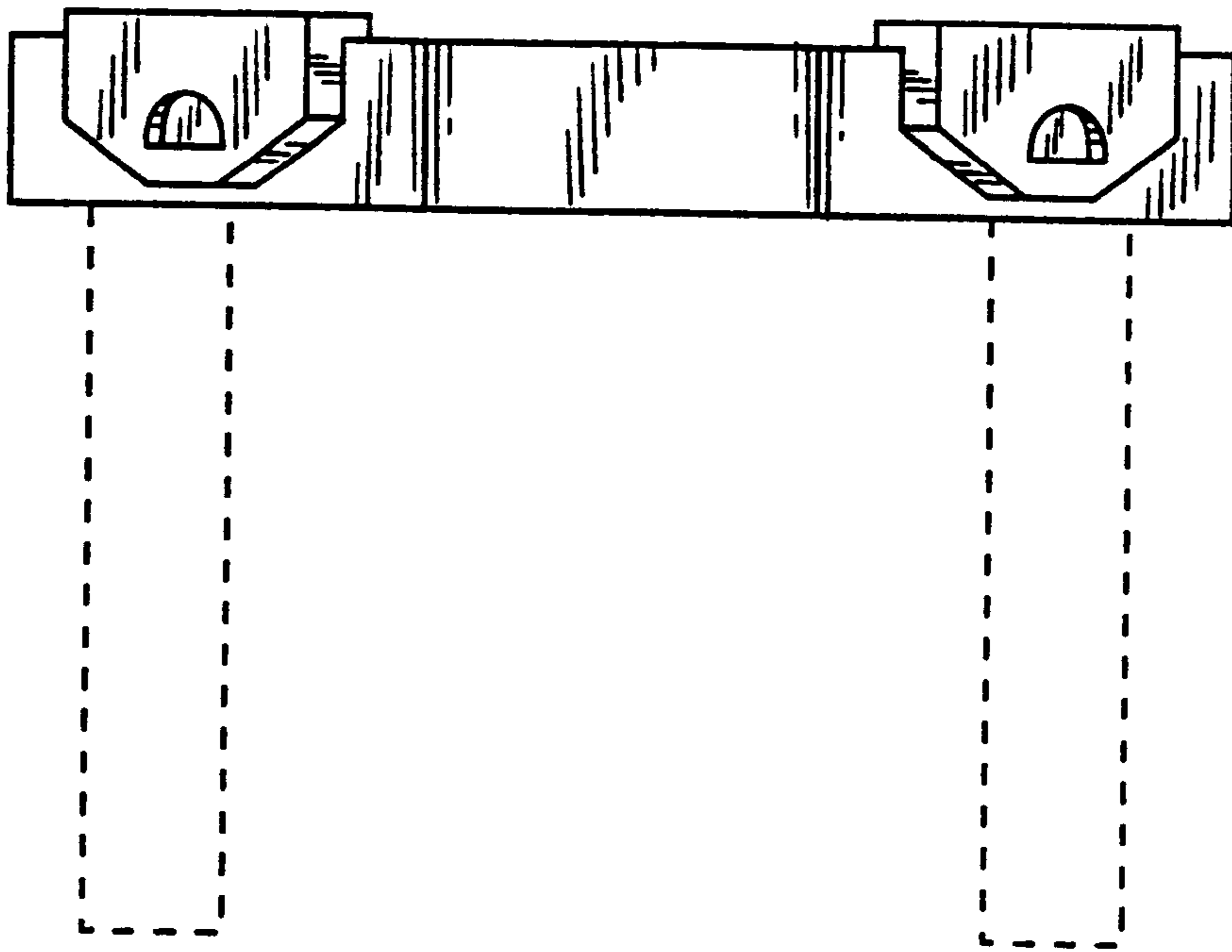
**FIG. 2**



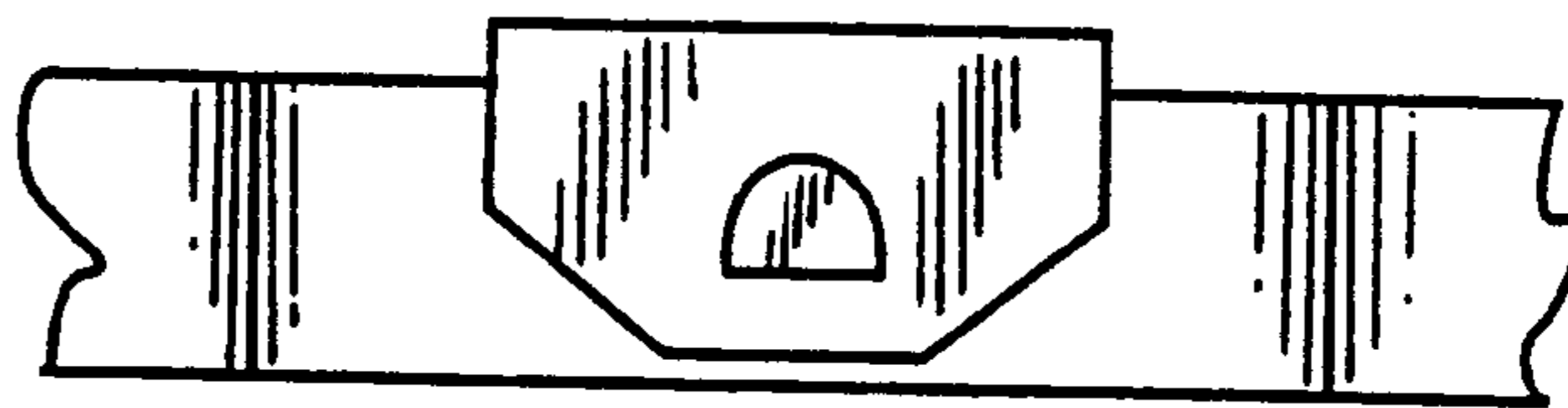
**FIG. 3**



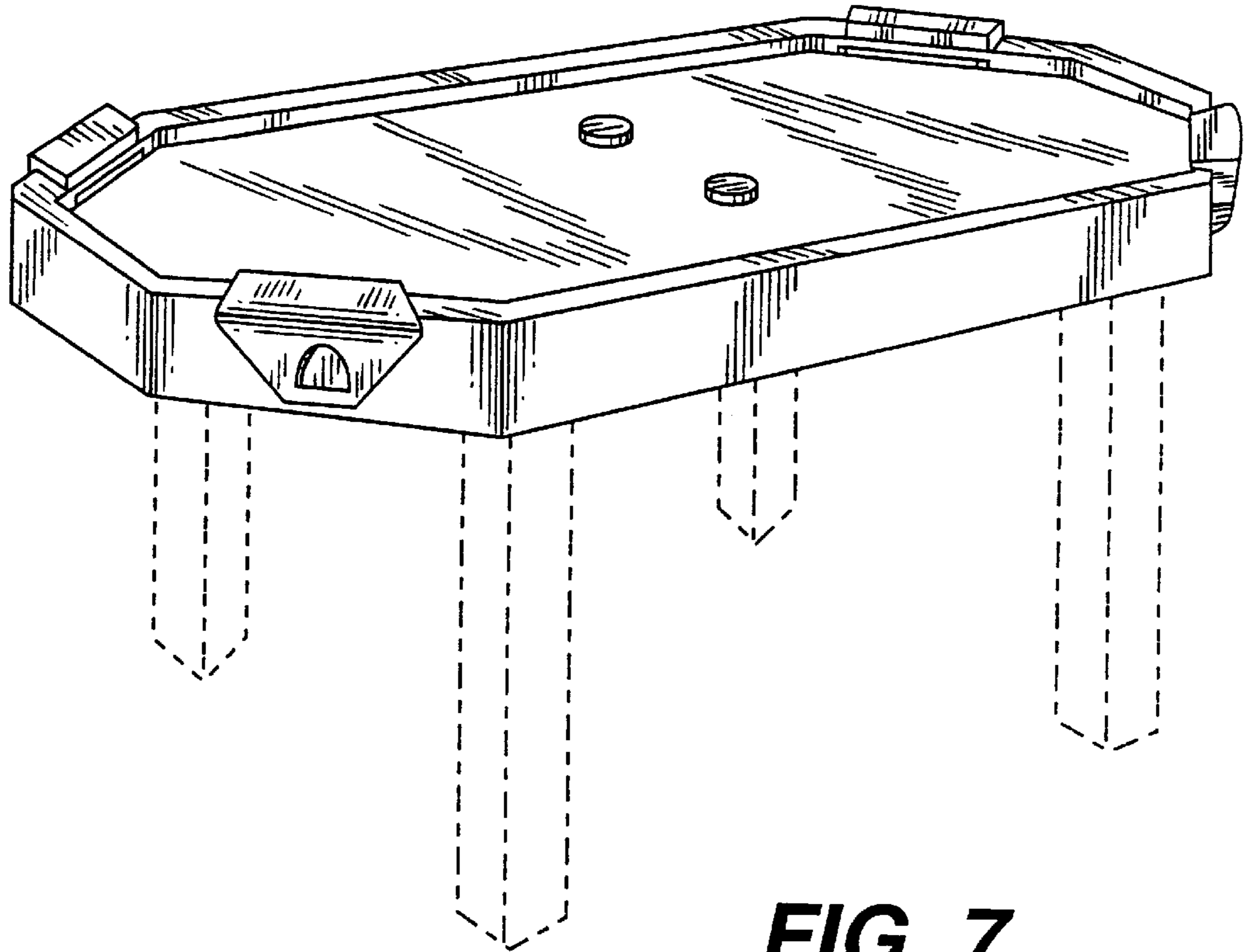
**FIG. 4**



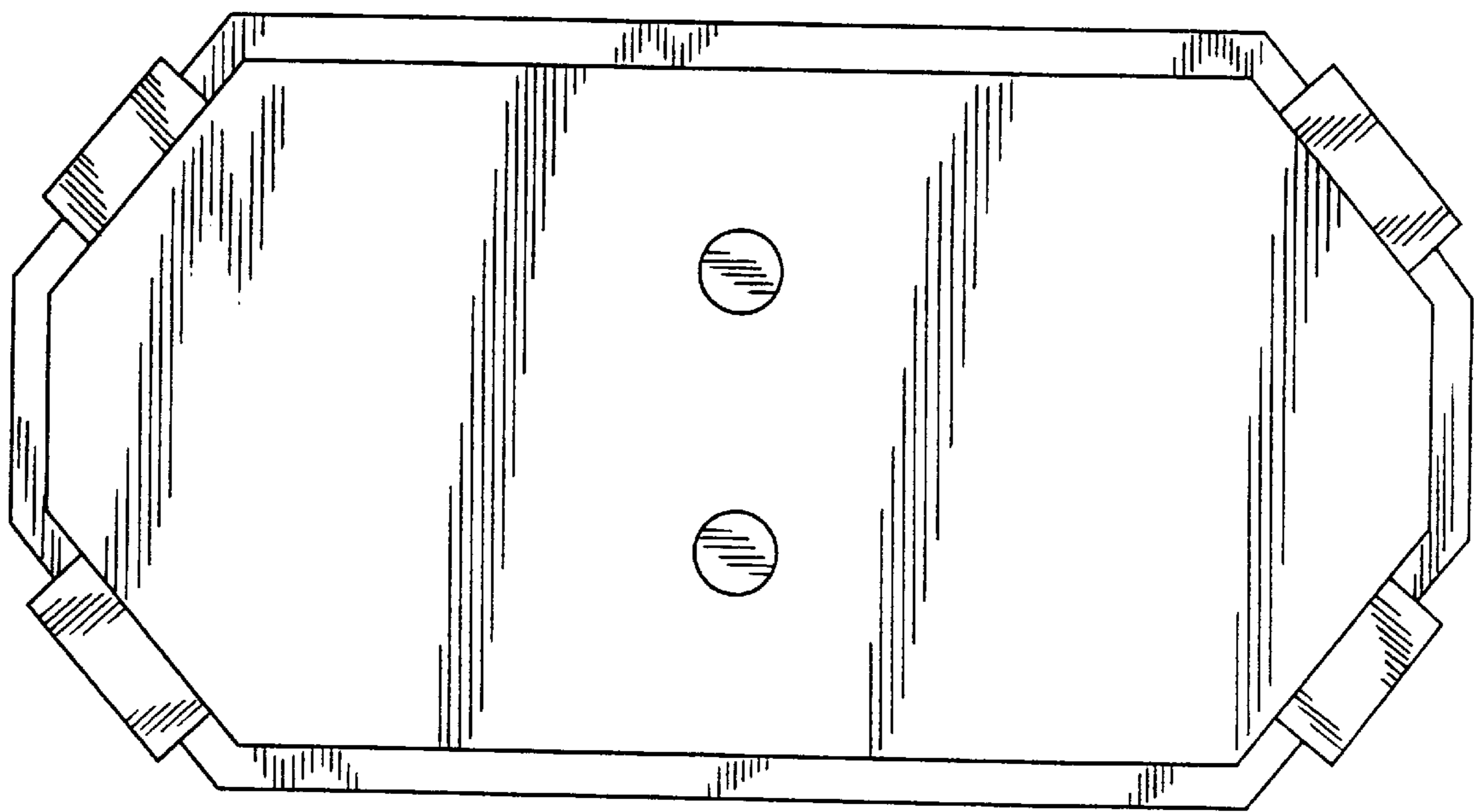
**FIG. 5**



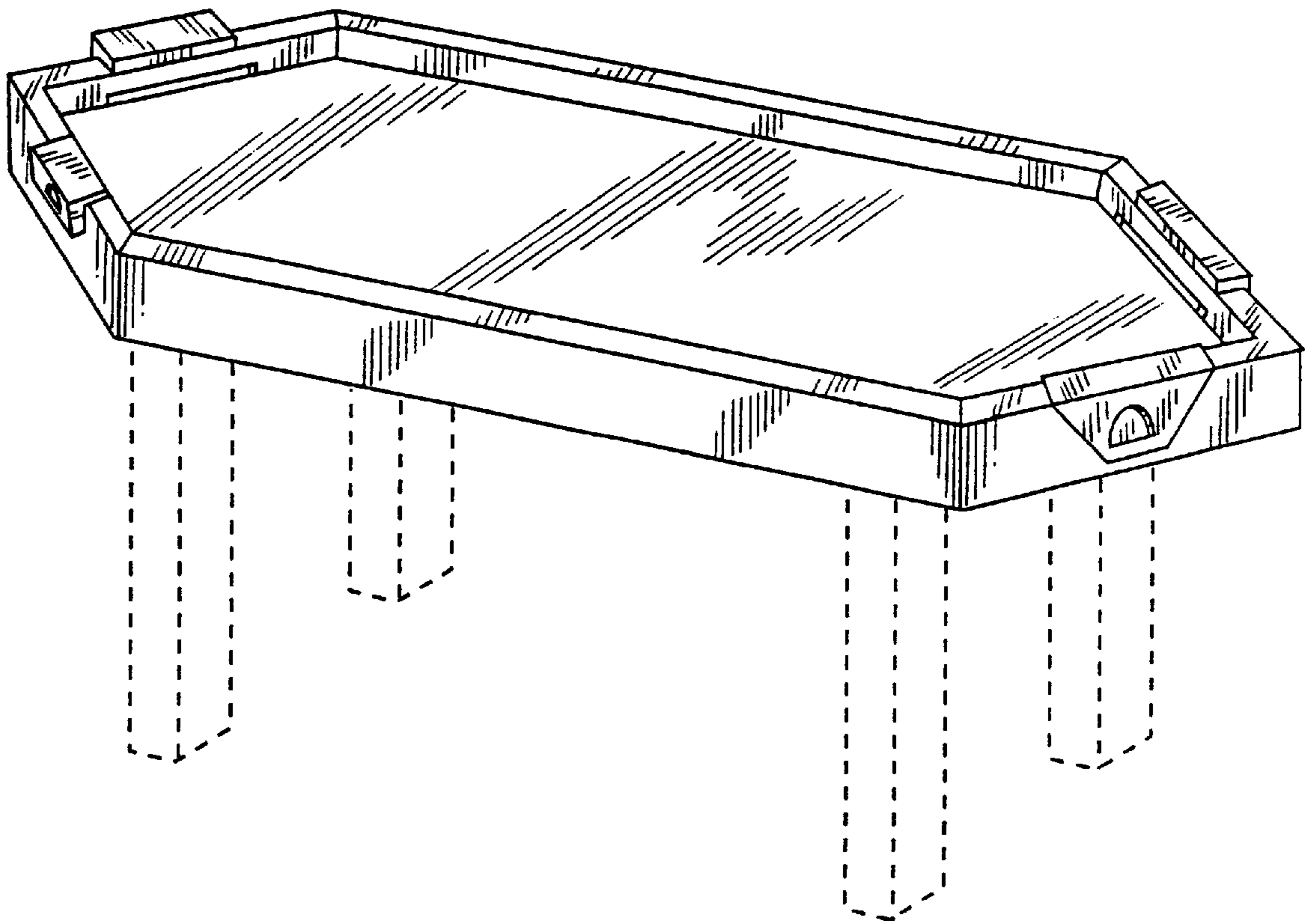
**FIG. 6**



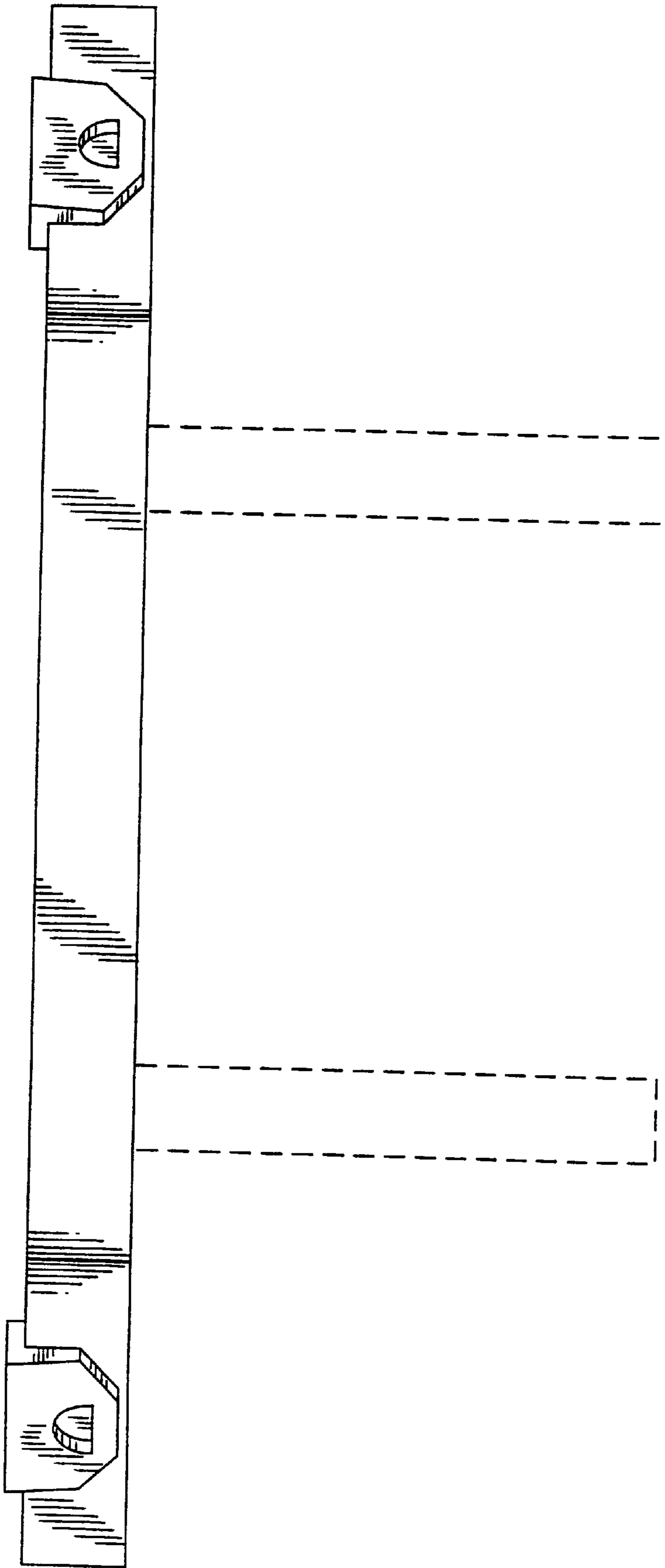
**FIG. 7**



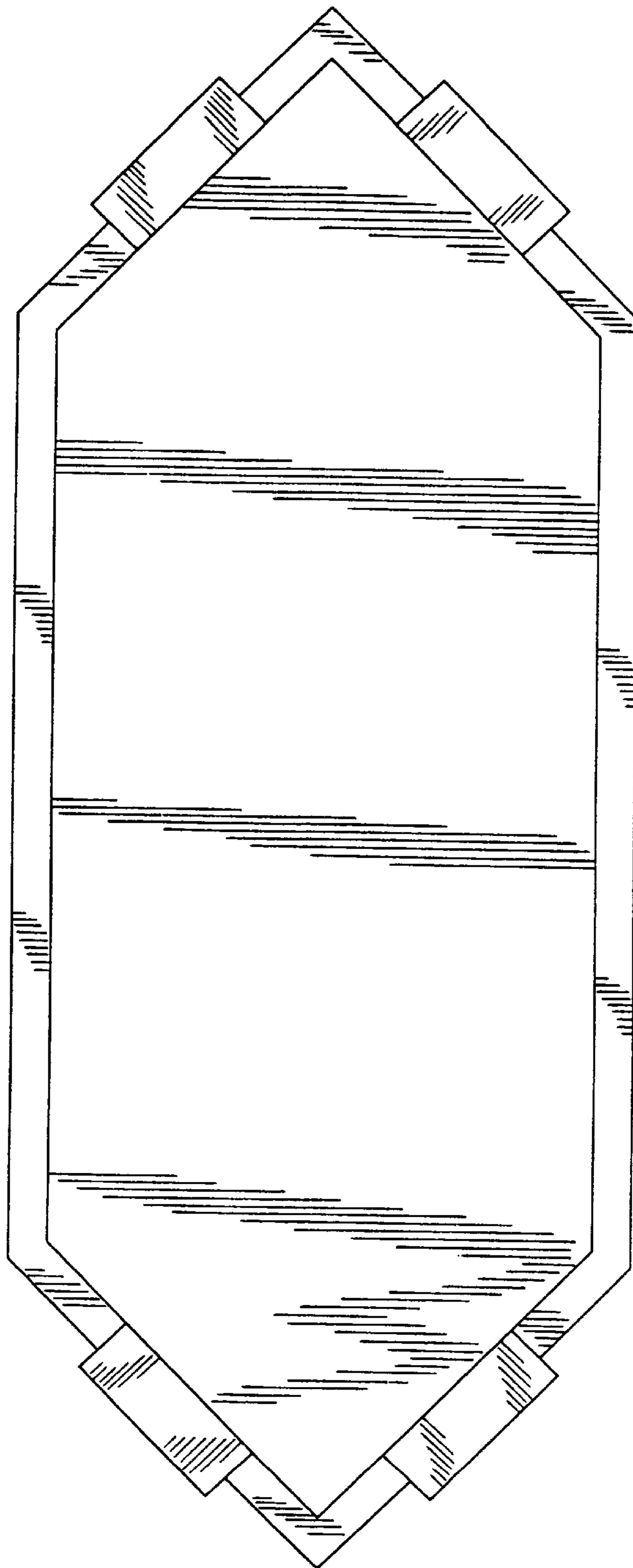
**FIG. 8**



**FIG. 9**

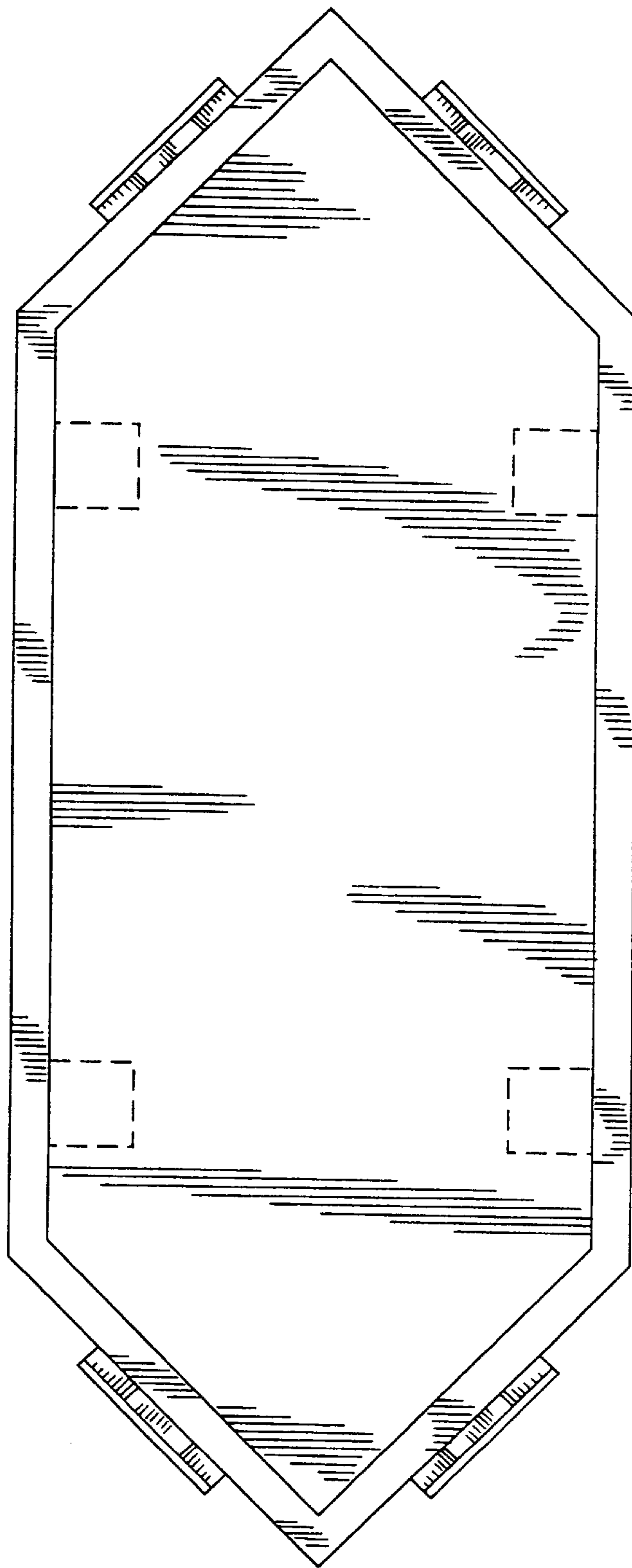


**FIG. 10**

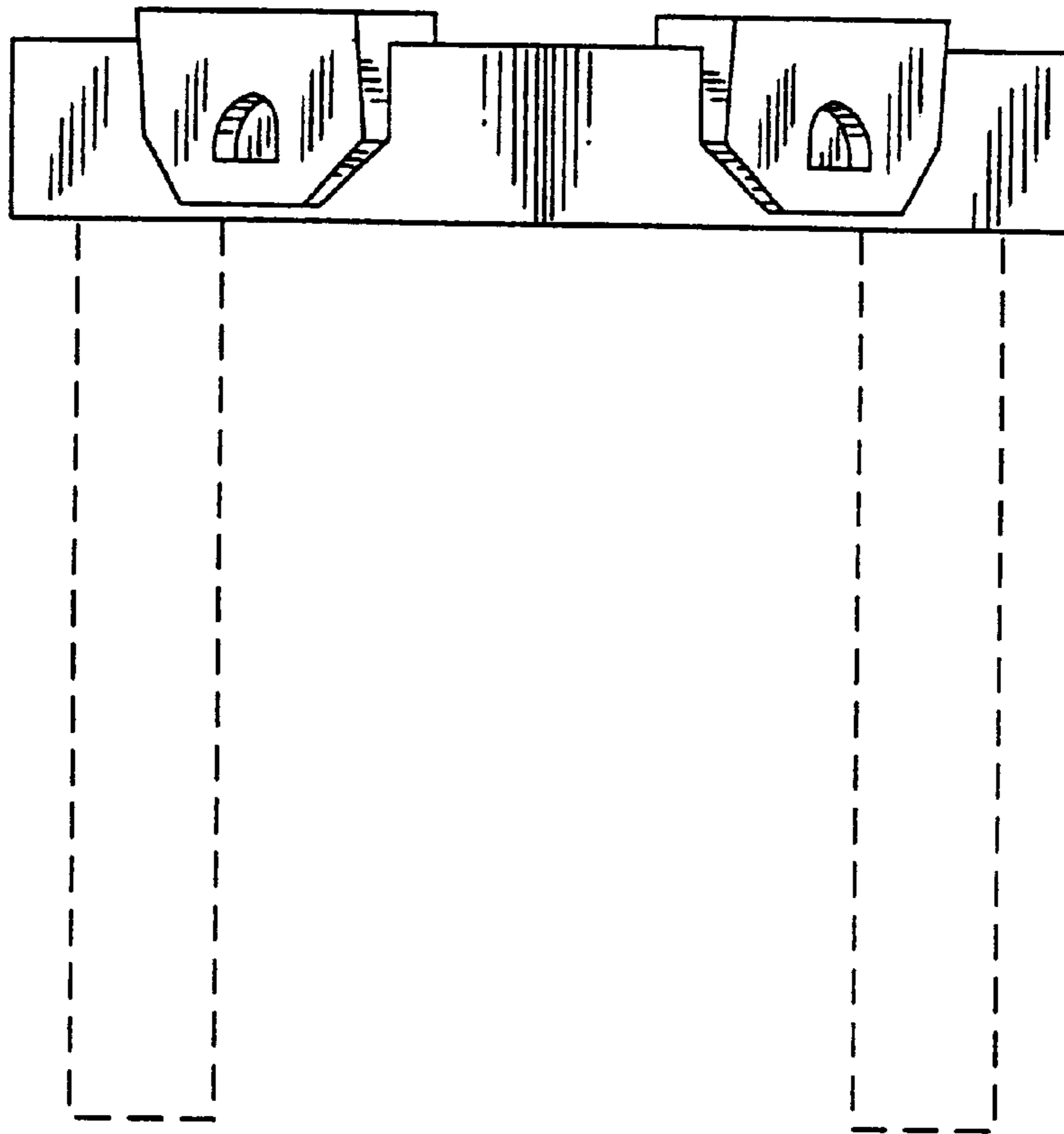


**FIG. 11**

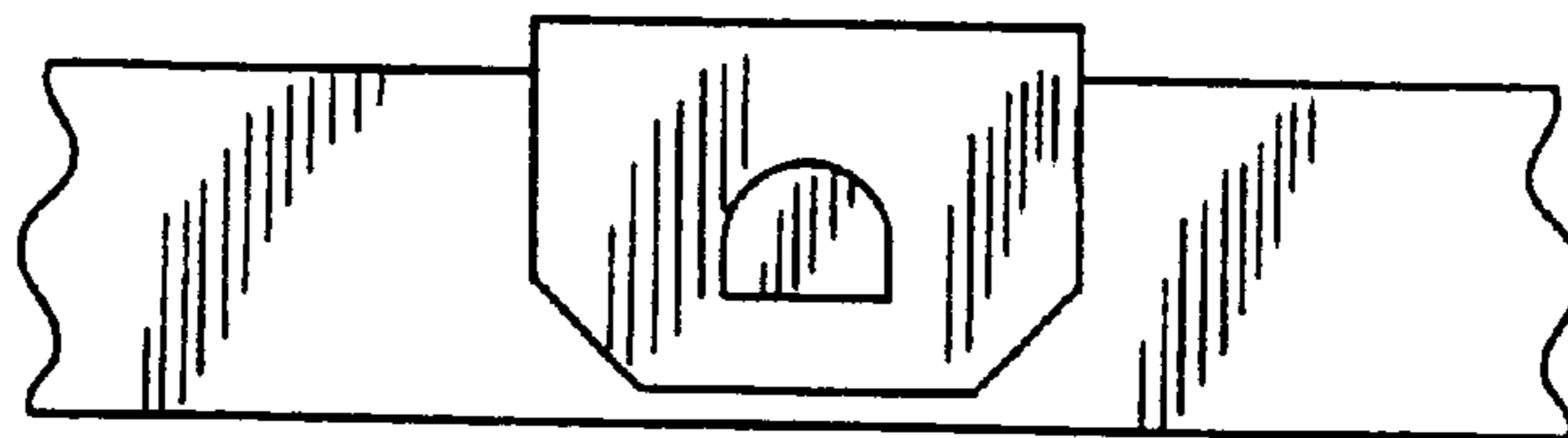




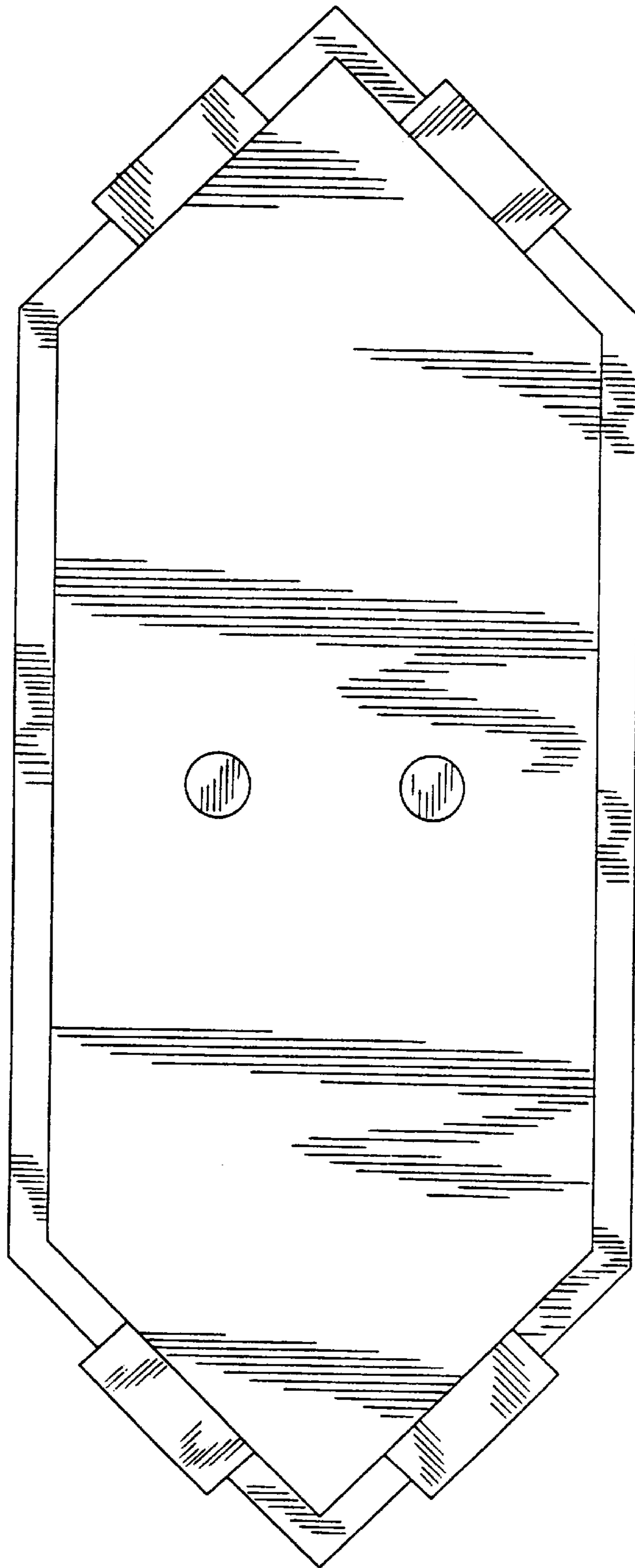
**FIG. 12**



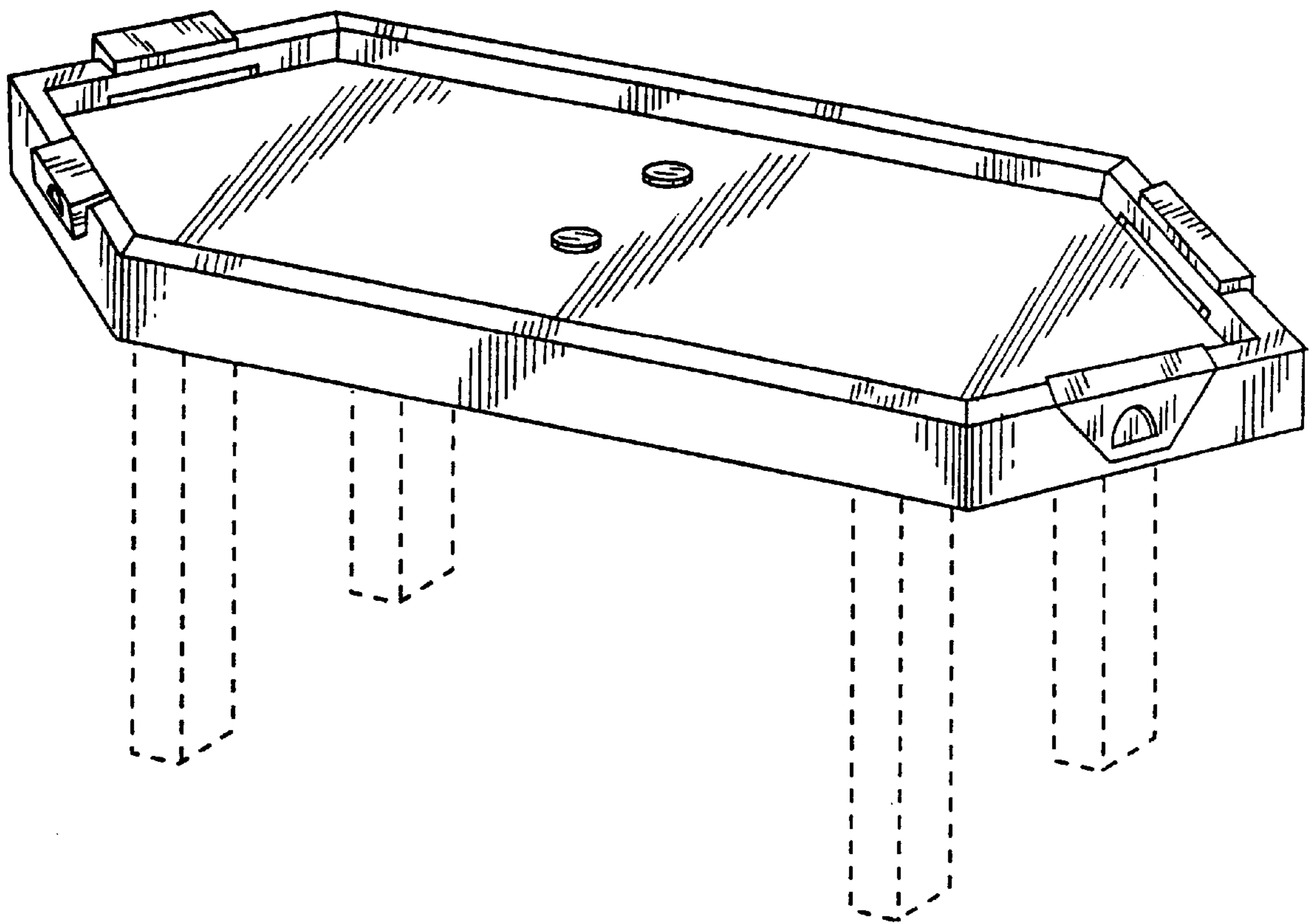
**FIG. 13**



**FIG. 14**



**FIG. 15**



**FIG. 16**