



US00D418172S

United States Patent [19] Veto

[11] **Patent Number: Des. 418,172**

[45] **Date of Patent: ** Dec. 28, 1999**

[54] **CONTENT INDICATOR**

D. 393,879 4/1998 Veto D20/43
5,706,948 1/1998 Hughes 206/459.5

[76] Inventor: **Jay Veto**, 6505 Ch Cote St. Luc #518,
Montreal, Que., Canada, H4V 1G3

Primary Examiner—Susan J. Lucas
Assistant Examiner—Jennifer Rivard

[**] Term: **14 Years**

[21] Appl. No.: **29/087,045**

[57] **CLAIM**

[22] Filed: **Apr. 24, 1998**

The ornamental design for a content indicator, as shown and described.

Related U.S. Application Data

DESCRIPTION

[62] Division of application No. 29/056,740, Jul. 3, 1996, Pat. No. Des. 393,879.

FIG. 1 is a perspective view of a content indicator, showing my new design;

[51] **LOC (6) Cl.** **20-02**

FIG. 2 is a side view thereof;

[52] **U.S. Cl.** **D20/43; D20/42**

FIG. 3 is an end view thereof;

[58] **Field of Search** D20/10, 43, 42,
D20/99, 19, 28; 40/642.02, 310, 646, 641,
597, 584, 299.01, 662; 206/829, 459.5

FIG. 4 is another side view thereof;

FIG. 5 is a top plan view thereof;

FIG. 6 is a rear view thereof; and,

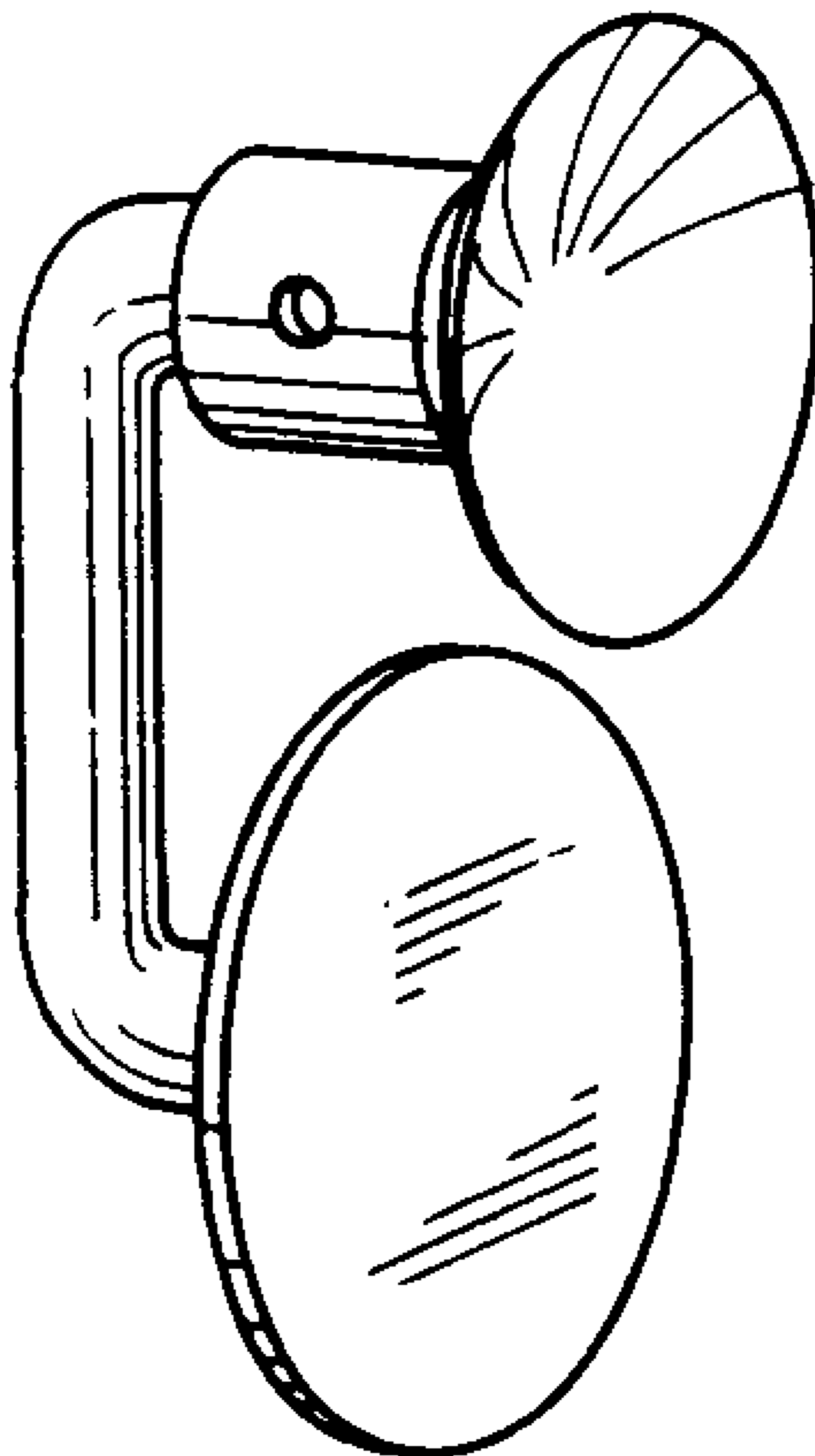
FIG. 7 is another end view thereof.

[56] **References Cited**

U.S. PATENT DOCUMENTS

D. 388,467 12/1997 Casiello D20/43

1 Claim, 1 Drawing Sheet



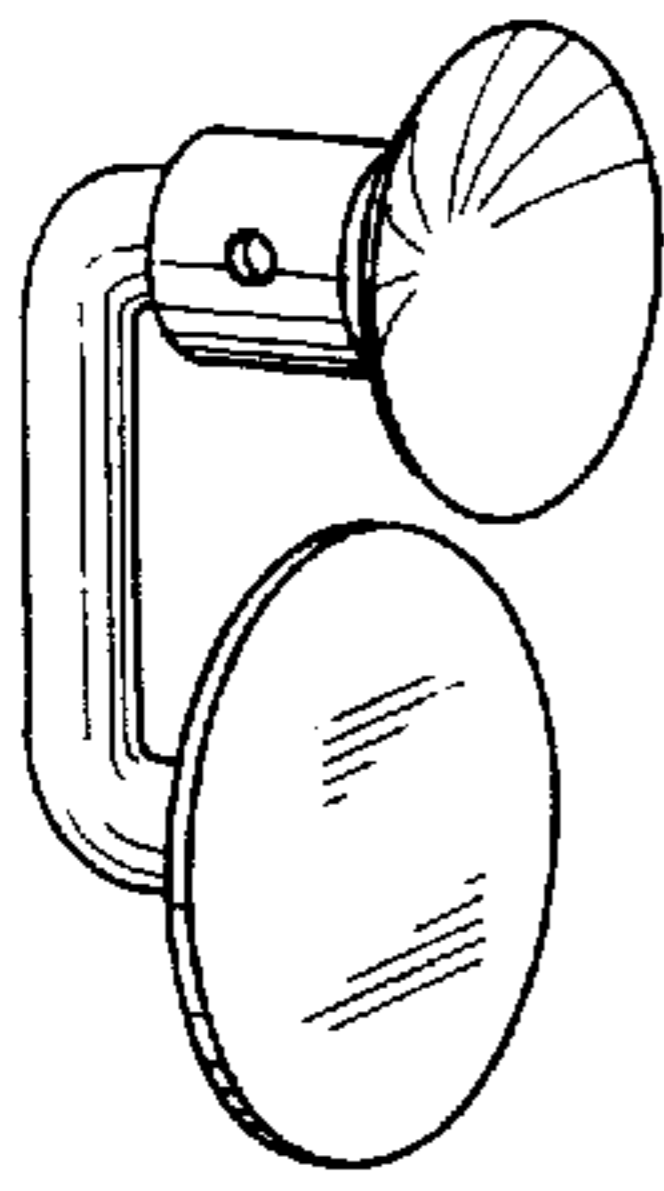


Fig. 1

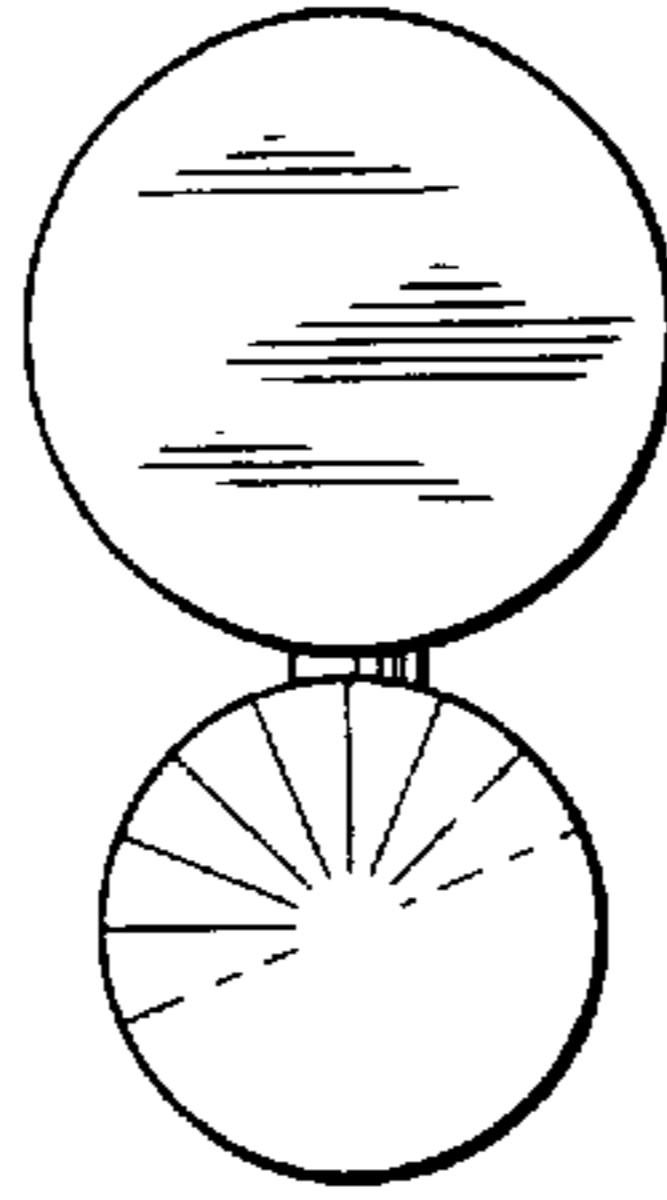


Fig. 5

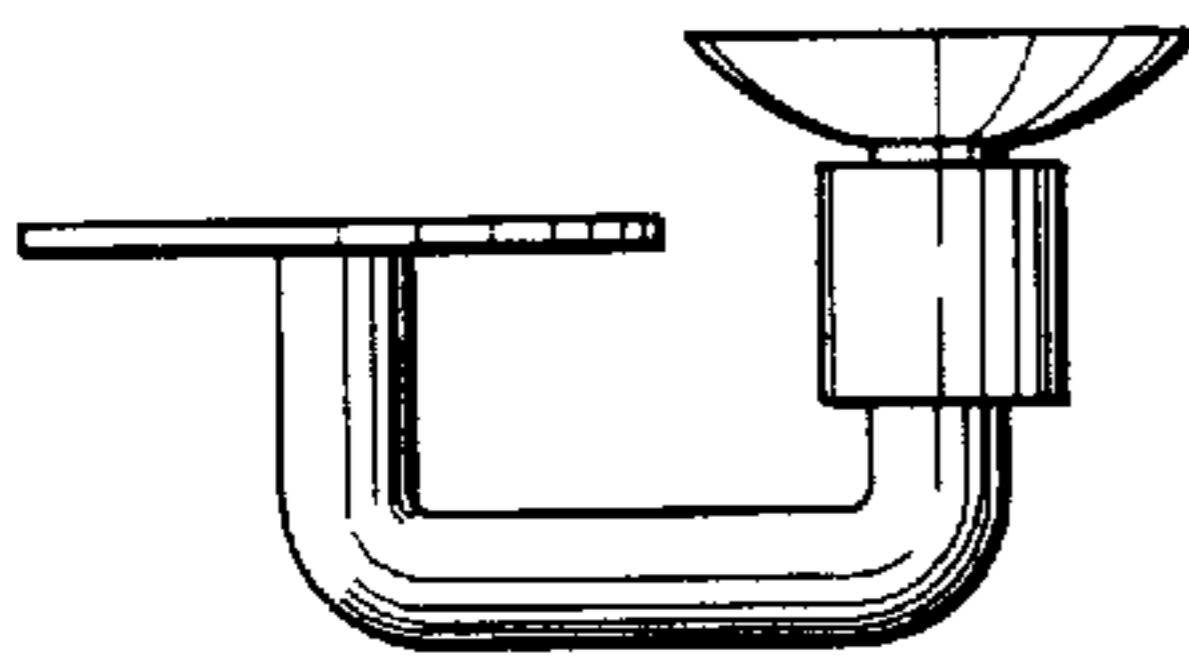


Fig. 2

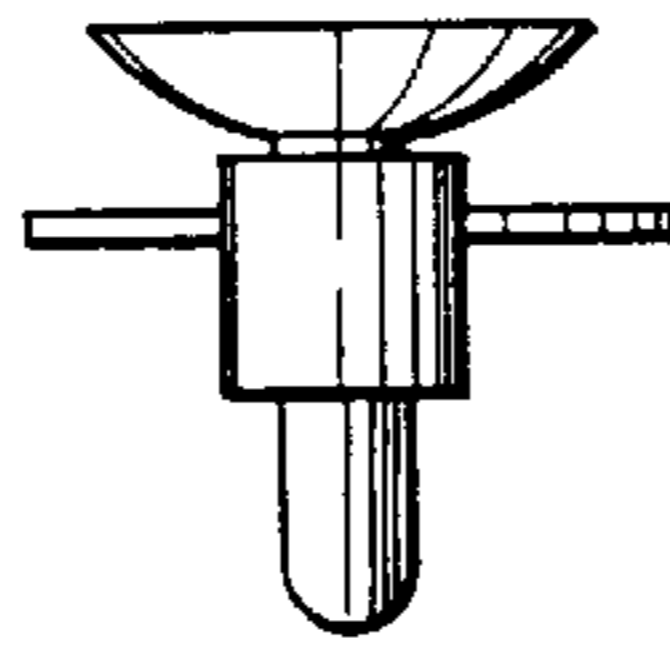


Fig. 3

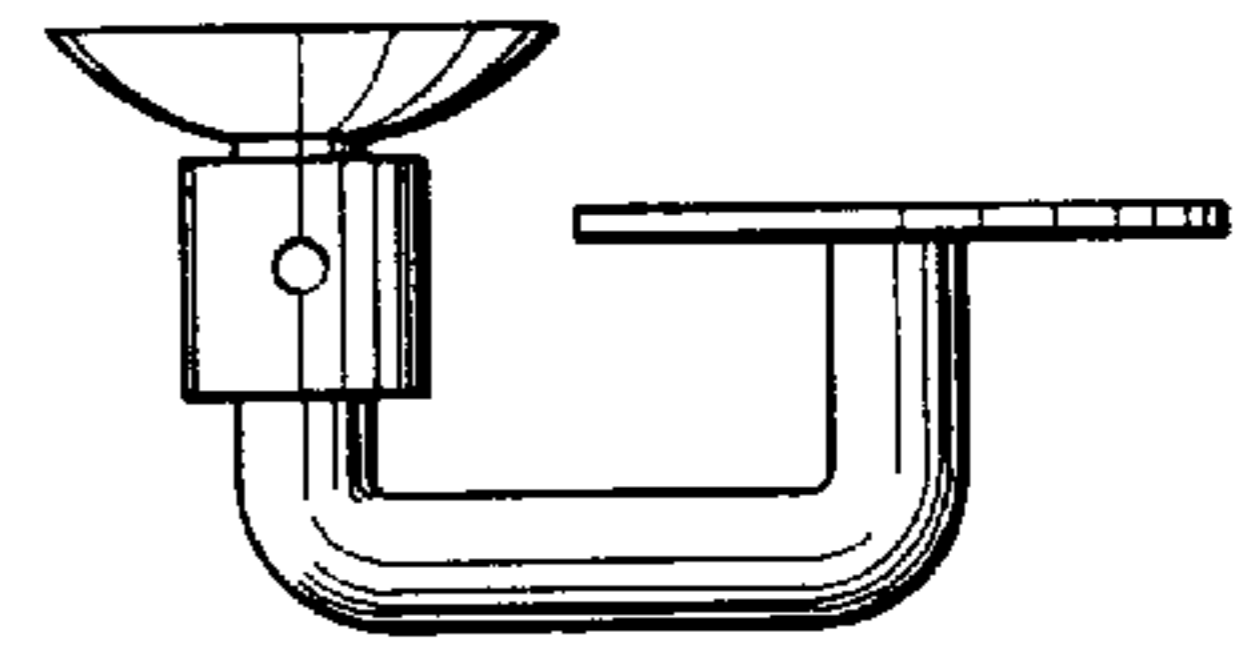


Fig. 4

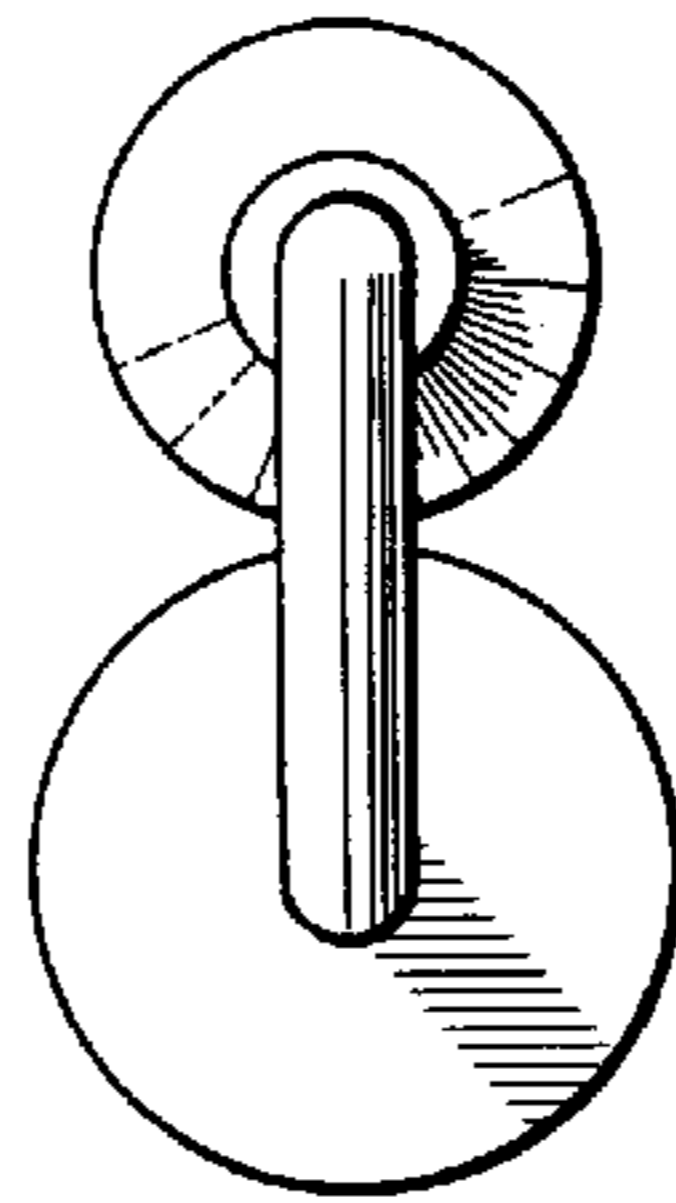


Fig. 6

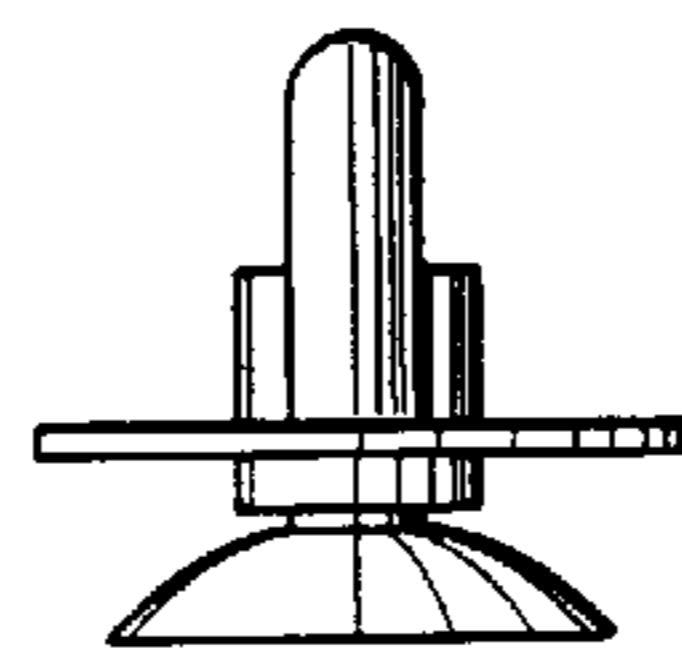


Fig. 7