



US00D418170S

United States Patent [19]
Herbst

[11] **Patent Number: Des. 418,170**
[45] **Date of Patent: ** Dec. 28, 1999**

[54] **SIGN**
[75] **Inventor: Yaacov T. Herbst, Bnei Braq, Israel**
[73] **Assignee: Park Media, Ltd., Staten Island, N.Y.**
[**] **Term: 14 Years**
[21] **Appl. No.: 29/104,753**
[22] **Filed: May 11, 1999**
[51] **LOC (6) Cl. 20-02**
[52] **U.S. Cl. D20/41; D10/42**
[58] **Field of Search D20/29, 41; 40/606, 40/607, 608; D10/42**

3,928,930 12/1975 Attwood 40/607
4,454,671 6/1984 Morgenstern 40/607
4,742,630 5/1988 Scumaci 40/333
5,116,204 5/1992 Power et al. 40/607
5,782,027 7/1998 Gildea 40/538

Primary Examiner—Nelson C. Holtje
Attorney, Agent, or Firm—Fish, Neave; Jeffrey H. Ingerman; Joel Weiss

[57] **CLAIM**

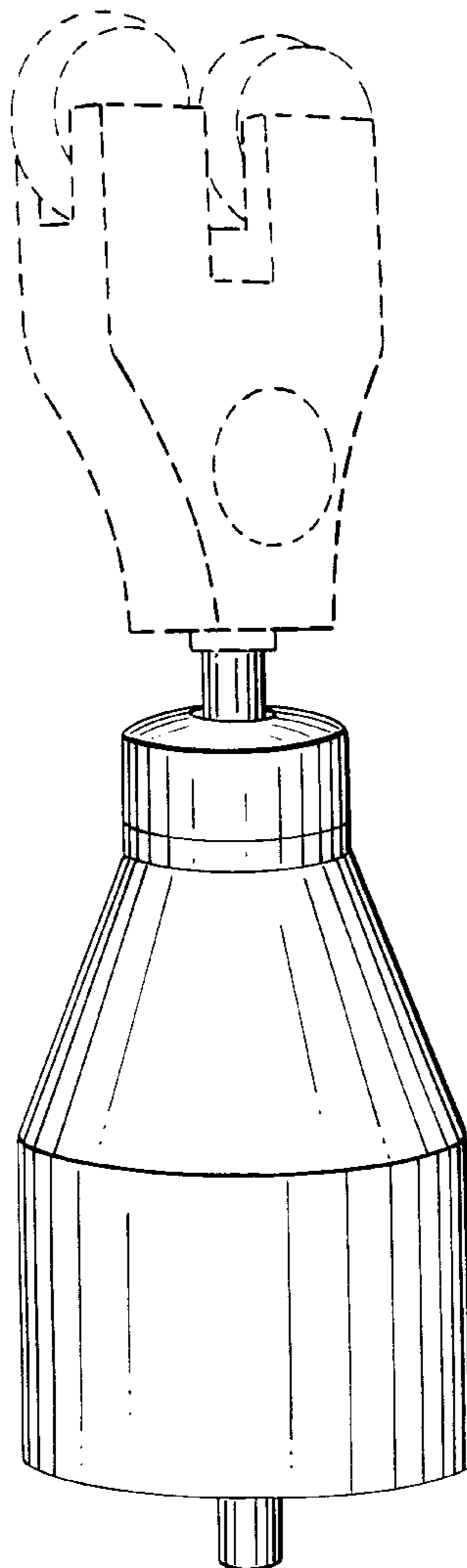
The ornamental design for a sign, as shown and described.

DESCRIPTION

FIG. 1 is a top, left, front perspective view of a sign showing our new design;
FIG. 2 is a top plan view thereof;
FIG. 3 is a left side elevational view thereof, the right, front, and rear sides being identical; and,
FIG. 4 is a bottom plan view thereof.
The subject matter shown in broken line represents unclaimed environmental structure which is shown for illustrative purposes and forms no part of the claimed design.

[56] **References Cited**
U.S. PATENT DOCUMENTS
D. 106,568 10/1937 Johns .
D. 274,629 7/1984 Plumettaz D20/10
1,307,655 6/1919 Brown .
2,468,421 4/1949 Williams .
2,616,196 11/1952 Sandahl .
3,305,909 2/1967 Hageby .

1 Claim, 2 Drawing Sheets



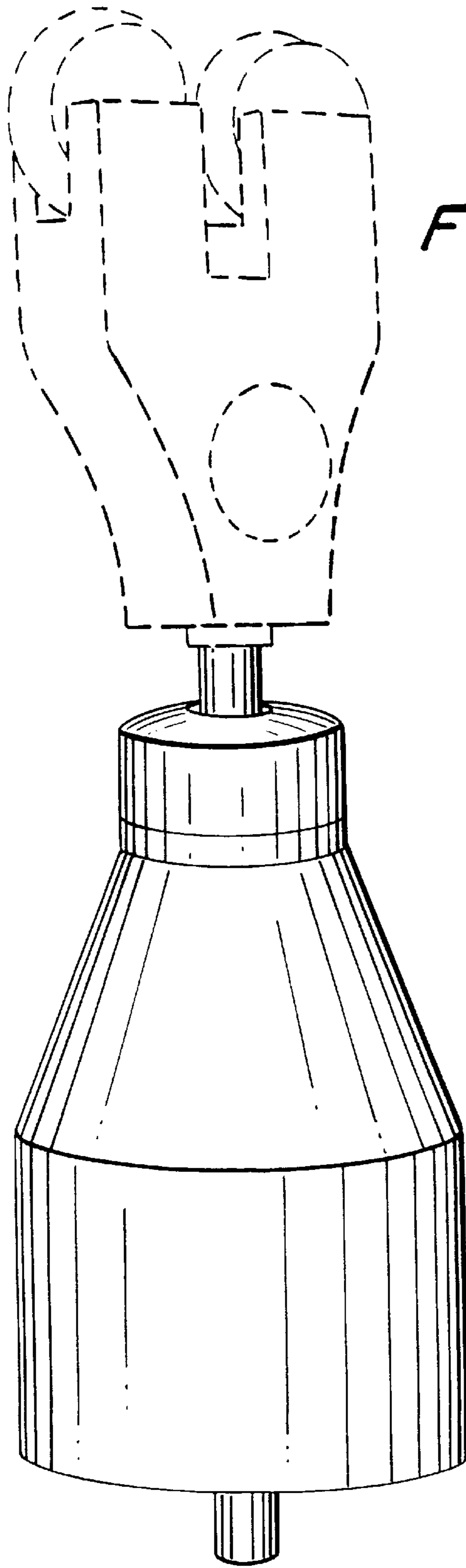


FIG. 1

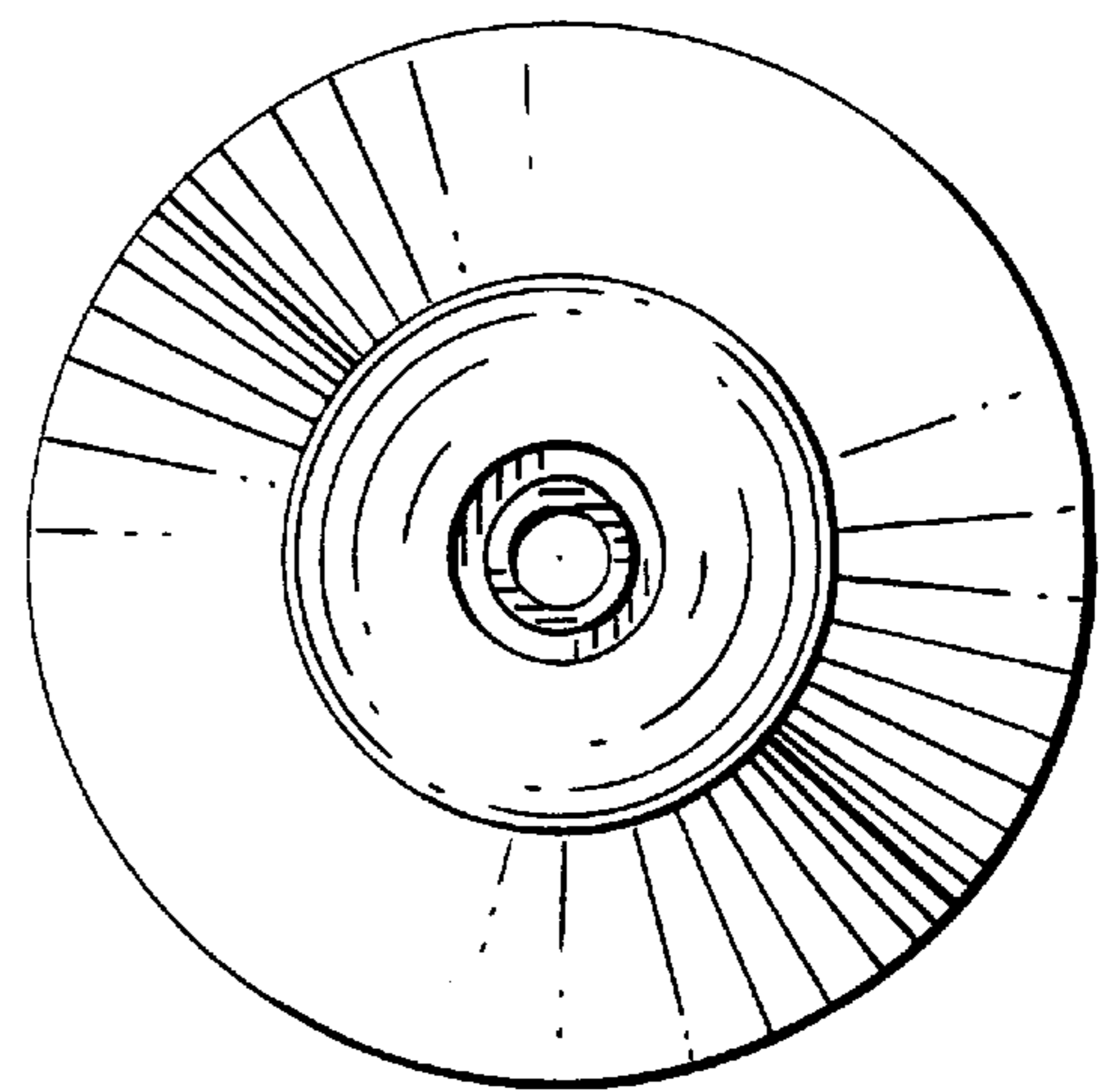


FIG. 2

FIG. 3

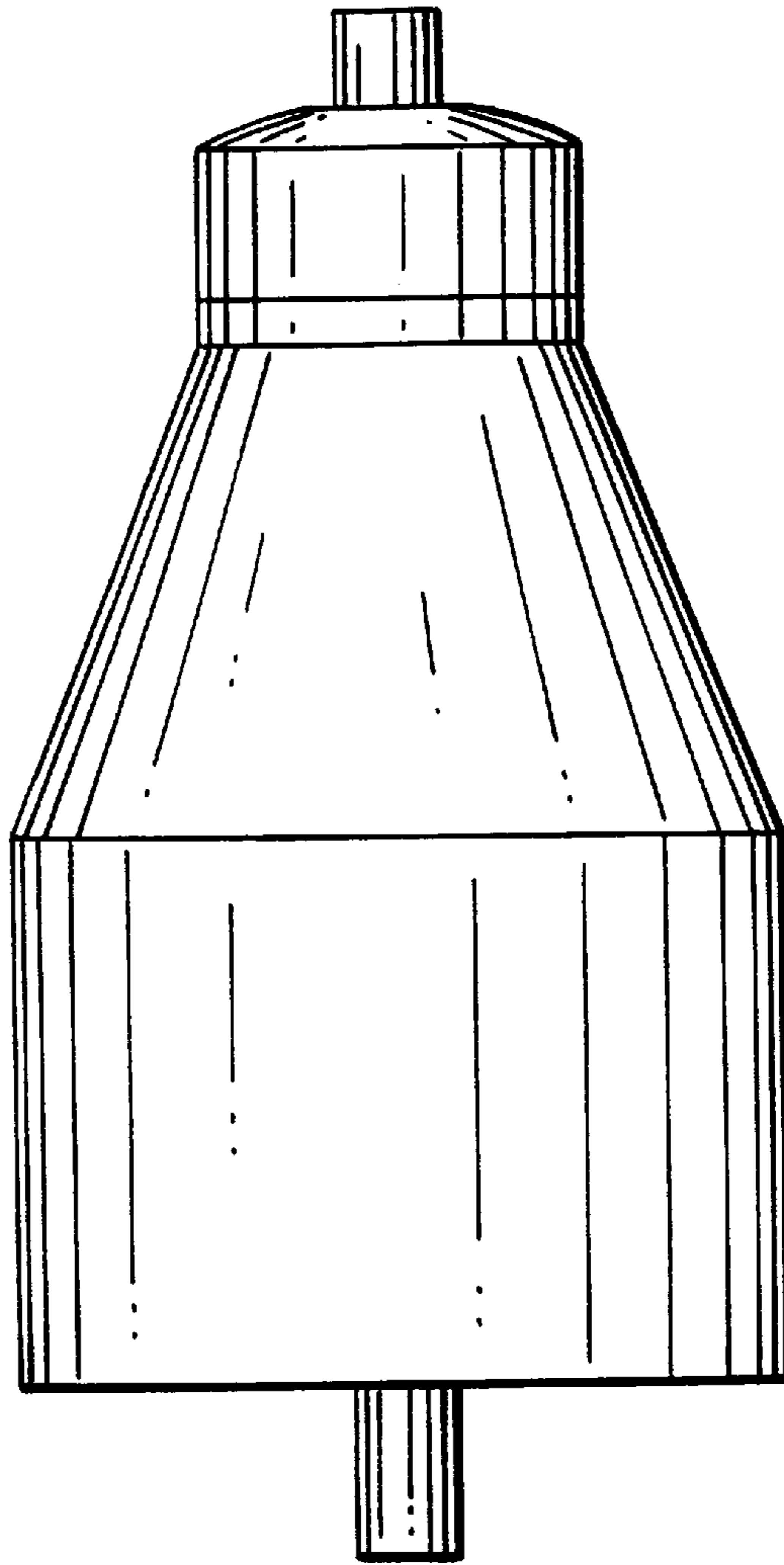


FIG. 4

