



US00D418165S

United States Patent [19]
Katami

[11] **Patent Number: Des. 418,165**

[45] **Date of Patent: ** Dec. 28, 1999**

[54] **TAPE DISPENSER CARTRIDGE**

[75] Inventor: **Kazunori Katami**, Tsurugashima, Japan

[73] Assignee: **Tombow Pencil Co., Ltd**, Tokyo, Japan

[**] Term: **14 Years**

[21] Appl. No.: **29/089,414**

[22] Filed: **Jun. 15, 1998**

[51] **LOC (6) Cl. 19-02**

[52] **U.S. Cl. D19/69; D19/67**

[58] **Field of Search D19/65, 67, 68, D19/69, 66, 99, 100; 225/6, 7, 19, 24, 25, 34, 35, 45, 56, 65, 77, 89; 206/408, 411, 470; 156/510, 523, 527, 577, 584; 242/588.4, 588.6**

[56] **References Cited**

U.S. PATENT DOCUMENTS

- D. 209,774 1/1968 Fedoruk D10/72
- D. 378,532 3/1997 Suzuki D19/69

- D. 400,923 11/1998 Katami D19/67 X
- D. 407,115 3/1999 Bakor et al. D19/69
- 5,512,128 4/1996 Manusch et al. 156/577
- 5,595,626 1/1997 Yokouchi et al. 156/523 X
- 5,670,014 9/1997 Mendelovich et al. 156/523

Primary Examiner—Martie K. Holtje
Attorney, Agent, or Firm—Garrison, Morris & Haight, PLLC

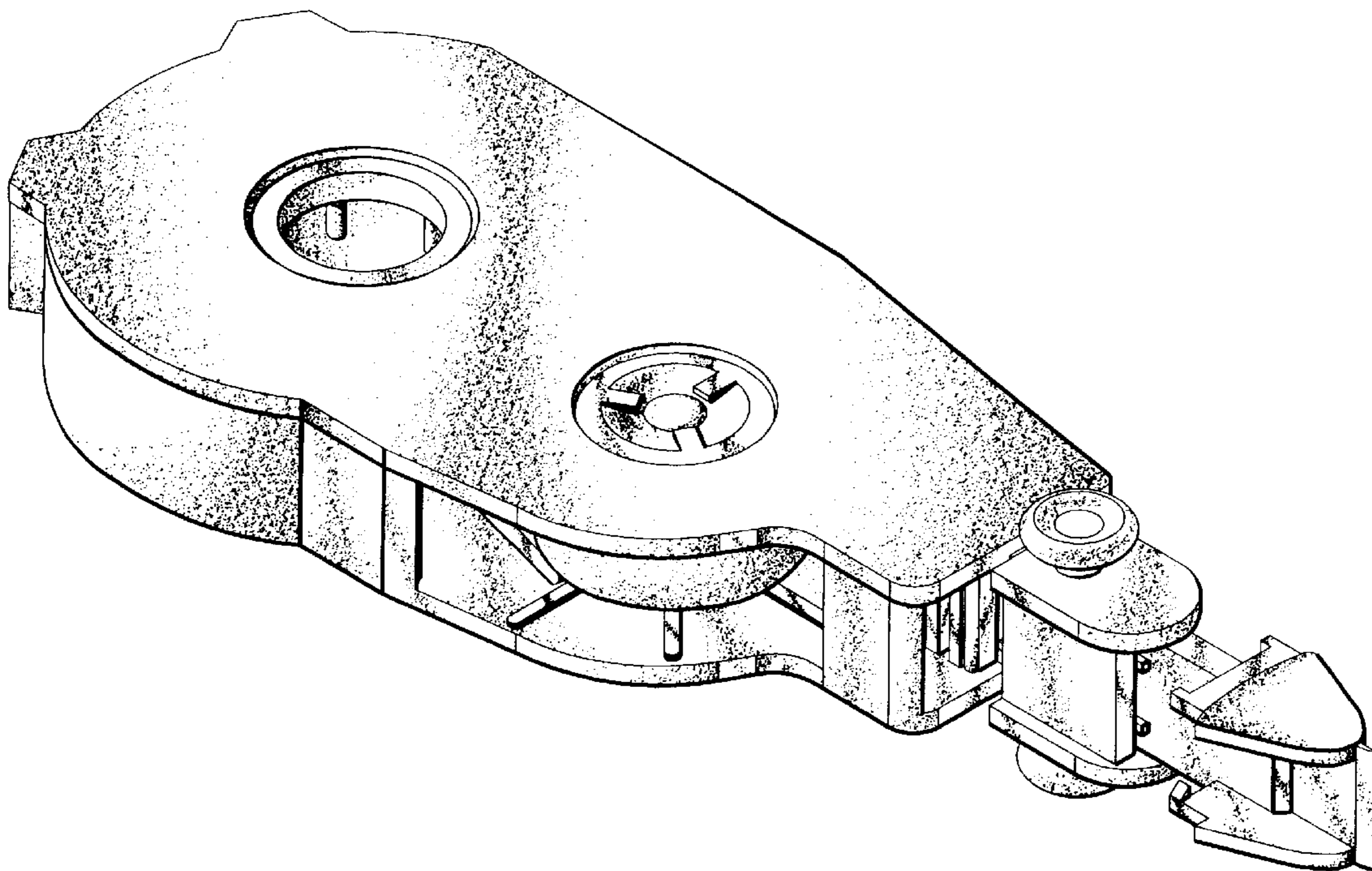
[57] **CLAIM**

The ornamental design for a tape dispenser cartridge, as shown and described.

DESCRIPTION

FIG. 1 is a perspective view of a tape dispenser cartridge showing my new design;
FIG. 2 is a left-side view thereof;
FIG. 3 is a right-side view thereof;
FIG. 4 is a top view thereof;
FIG. 5 is a bottom view thereof;
FIG. 6 is a front view thereof; and,
FIG. 7 is a rear view thereof.

1 Claim, 5 Drawing Sheets



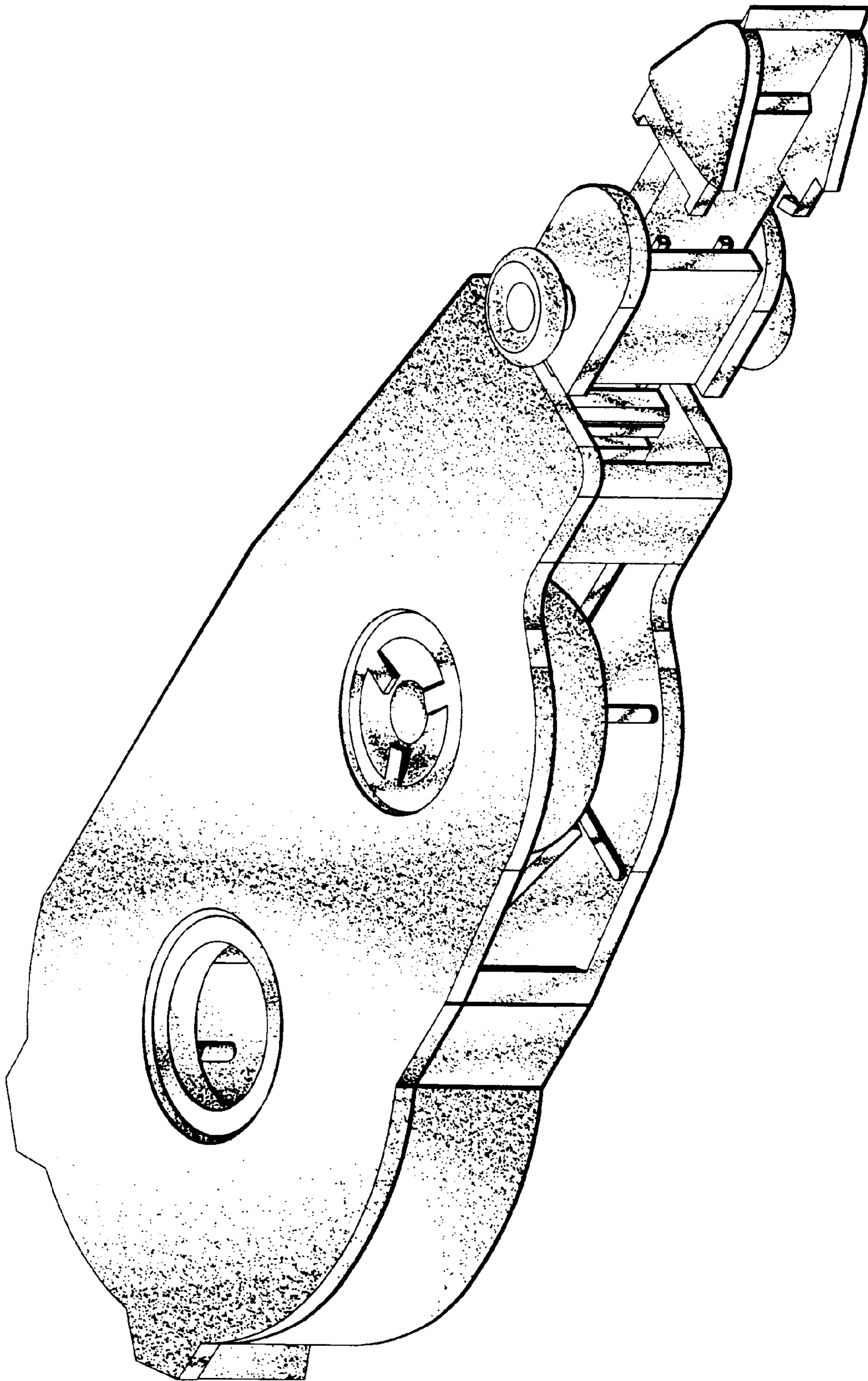


FIG 1

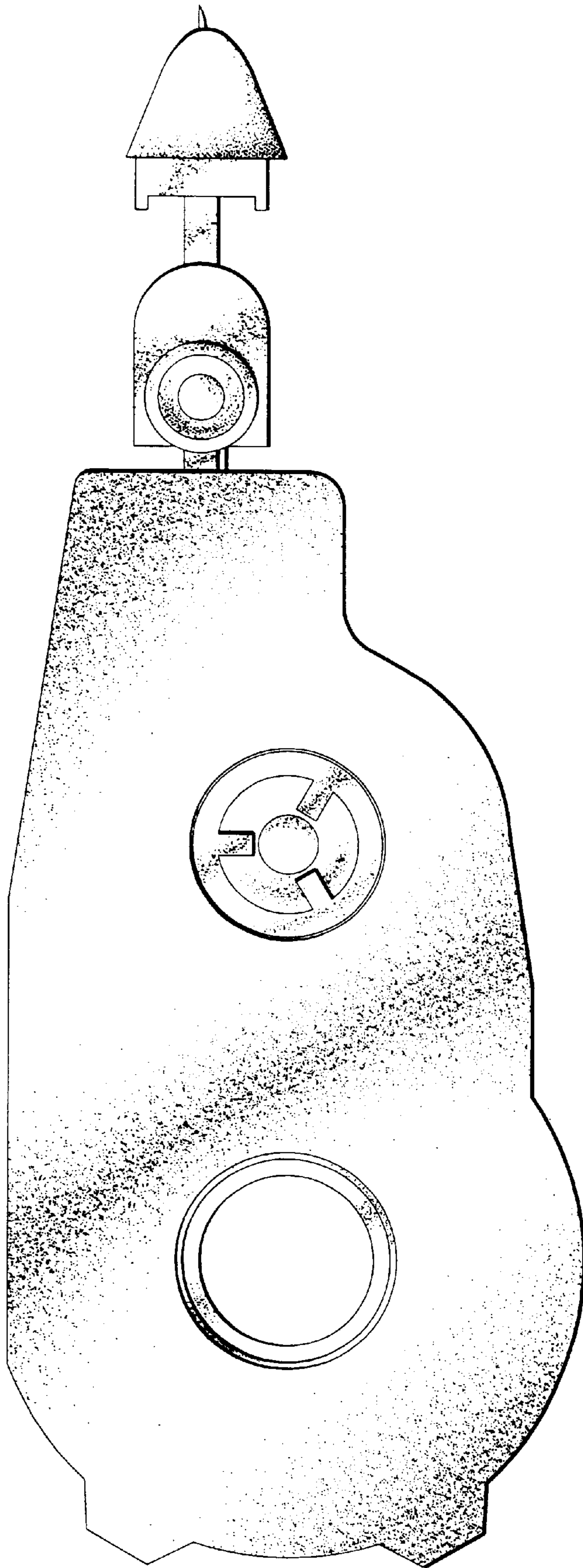


FIG 2

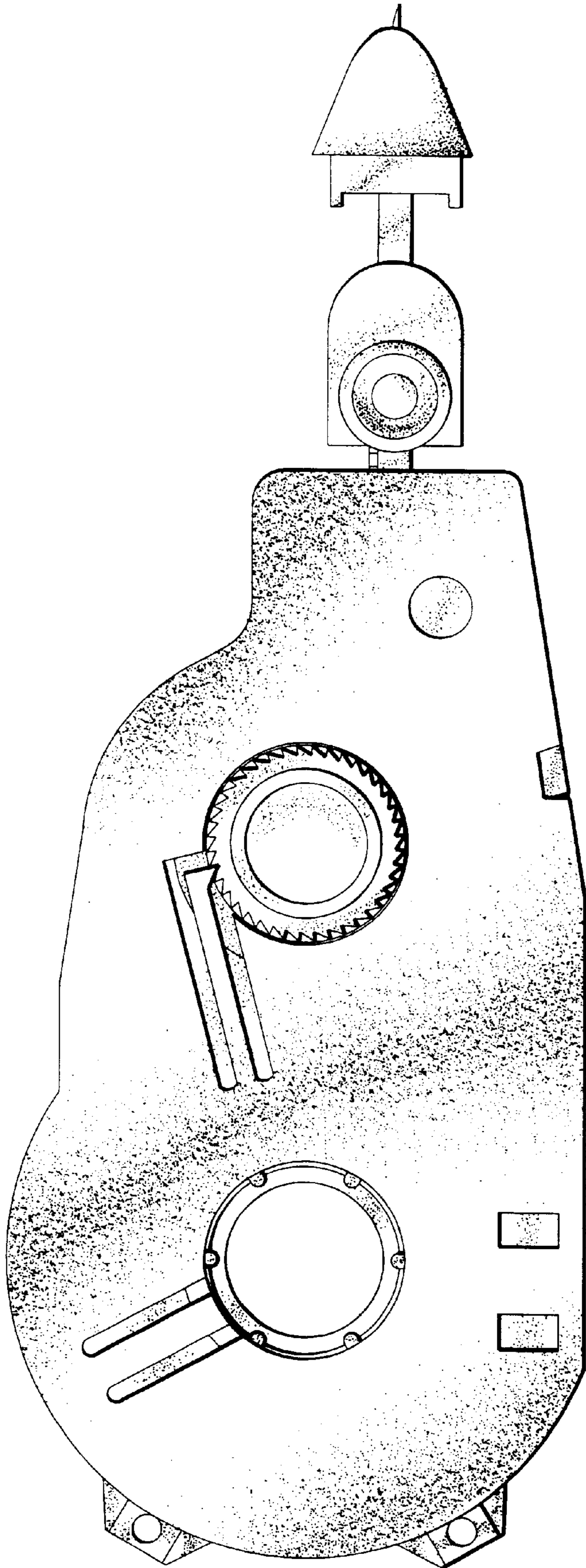


FIG 3

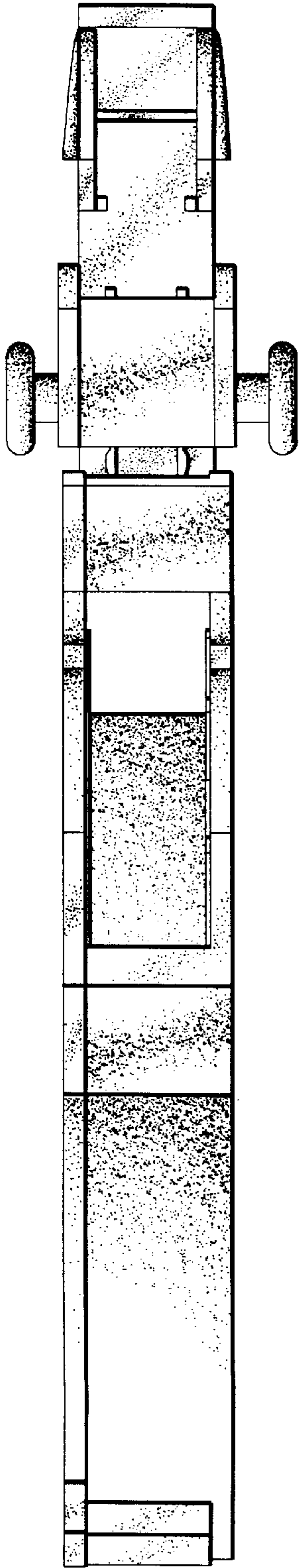


FIG 4

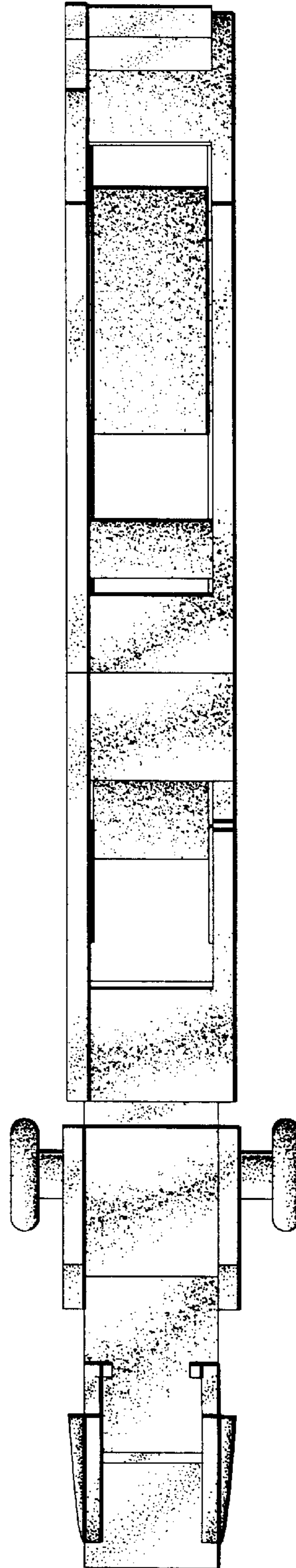


FIG 5

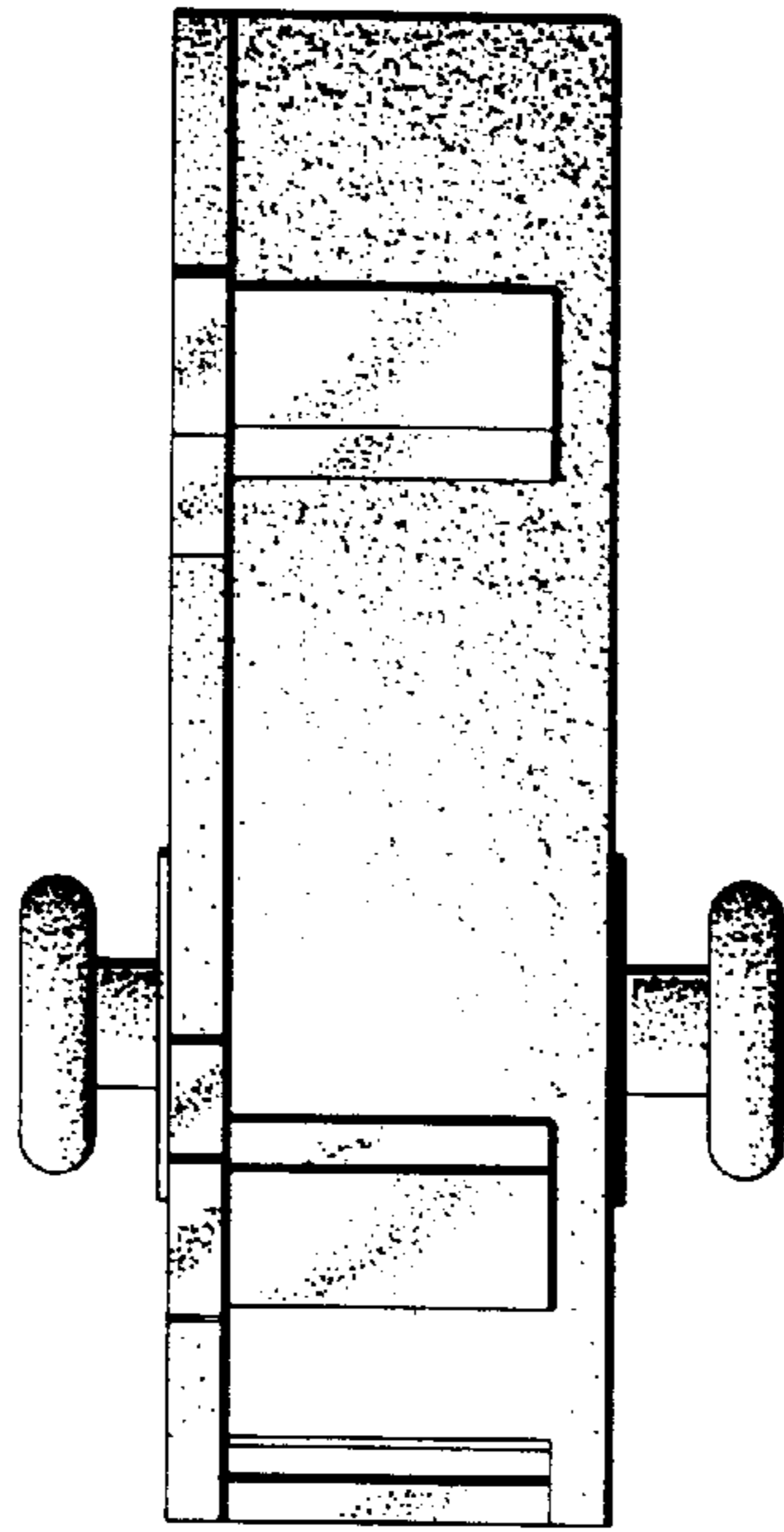


FIG 7

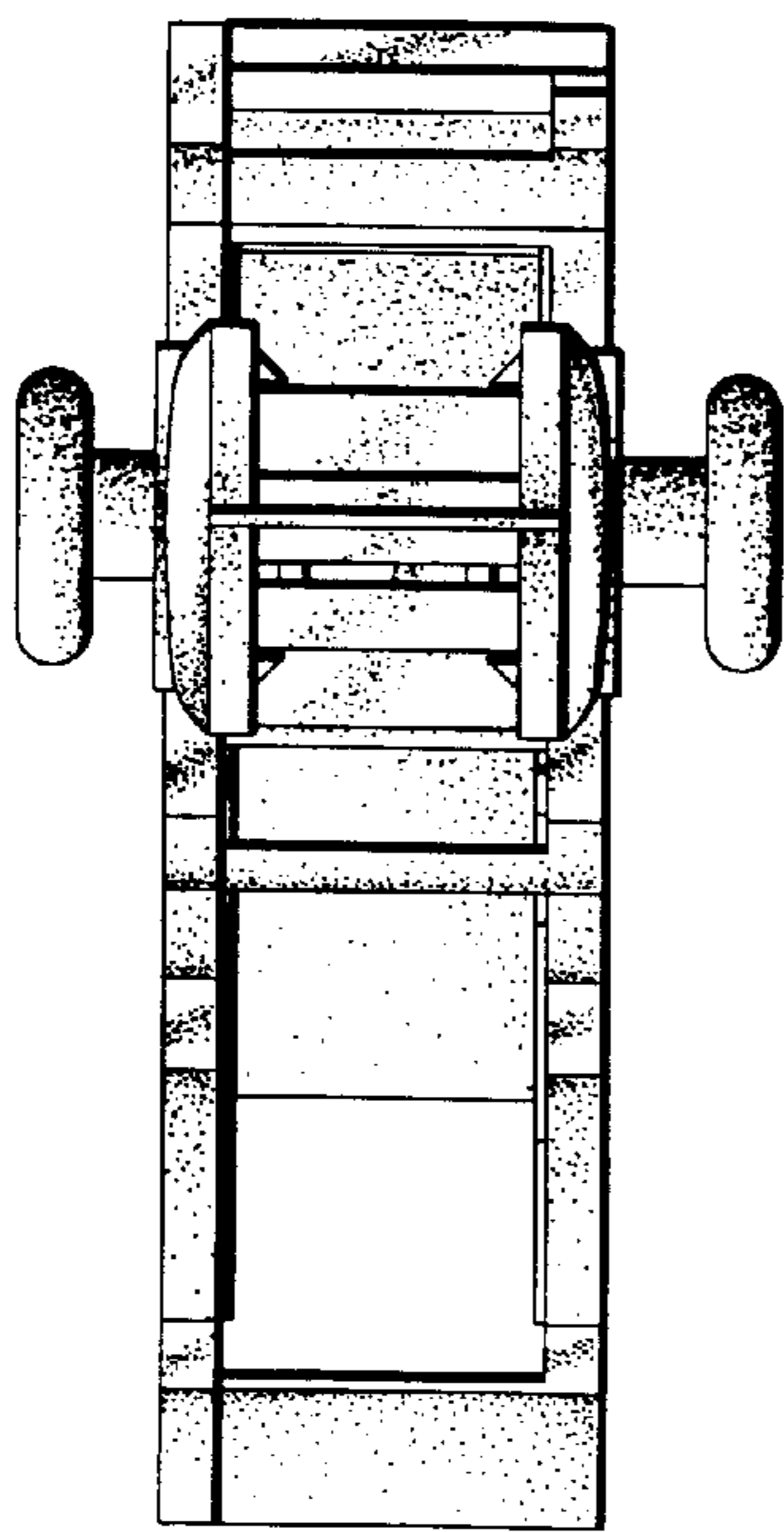


FIG 6