



US00D418155S

**United States Patent** [19]  
**Rider et al.**

[11] **Patent Number: Des. 418,155**  
[45] **Date of Patent: \*\* Dec. 28, 1999**

[54] **PAPER GUIDE**

[75] Inventors: **Jason P. Rider**, Fairport; **Russell C. Rackett**, Webster; **Joseph S. Vetromile**, Rochester; **Geoffrey C. Williams**, Penfield, all of N.Y.

[73] Assignee: **Xerox Corporation**, Stamford, Conn.

[\*\*] Term: **14 Years**

[21] Appl. No.: **29/101,432**

[22] Filed: **Mar. 4, 1999**

**Related U.S. Application Data**

[62] Division of application No. 08/664,582, Jun. 17, 1996.

[51] **LOC (6) Cl.** ..... **16-03**

[52] **U.S. Cl.** ..... **D18/40**

[58] **Field of Search** ..... D18/12, 40; 271/188, 271/274, 280, 314

[56] **References Cited**

**U.S. PATENT DOCUMENTS**

D. 247,674	4/1978	Behun	.....	D18/12
4,407,597	10/1983	Kapp	.....	400/625
4,408,861	10/1983	Hukuda et al.	.....	271/274 X

4,477,068	10/1984	Arter et al.	.....	271/186
4,627,718	12/1986	Wyer	.....	355/35 H
4,729,557	3/1988	Kiyohara	.....	271/272
4,789,150	12/1988	Plain	.....	271/220
5,029,743	7/1991	McNew	.....	226/199
5,091,754	2/1992	Abe et al.	.....	399/394
5,174,561	12/1992	Lebeau	.....	271/186
5,326,092	7/1994	Ando	.....	271/272
5,368,290	11/1994	Nanba et al.	.....	271/273
5,653,439	8/1997	Rider et al.	.....	271/274
5,884,909	3/1999	Umeda	.....	271/242
5,918,100	6/1999	Tanaka et al.	.....	271/274 X

*Primary Examiner*—Caron D. Veynar

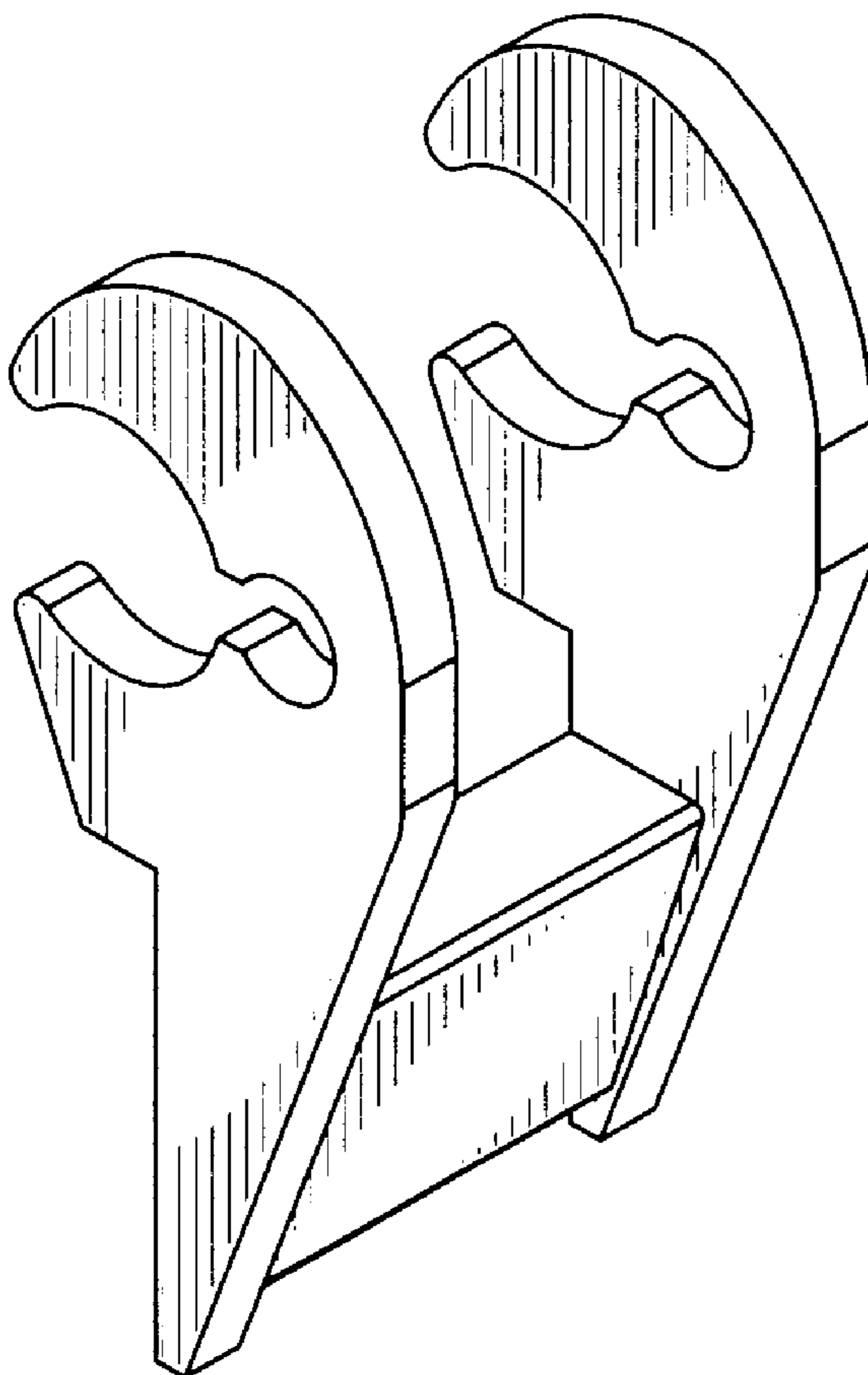
[57] **CLAIM**

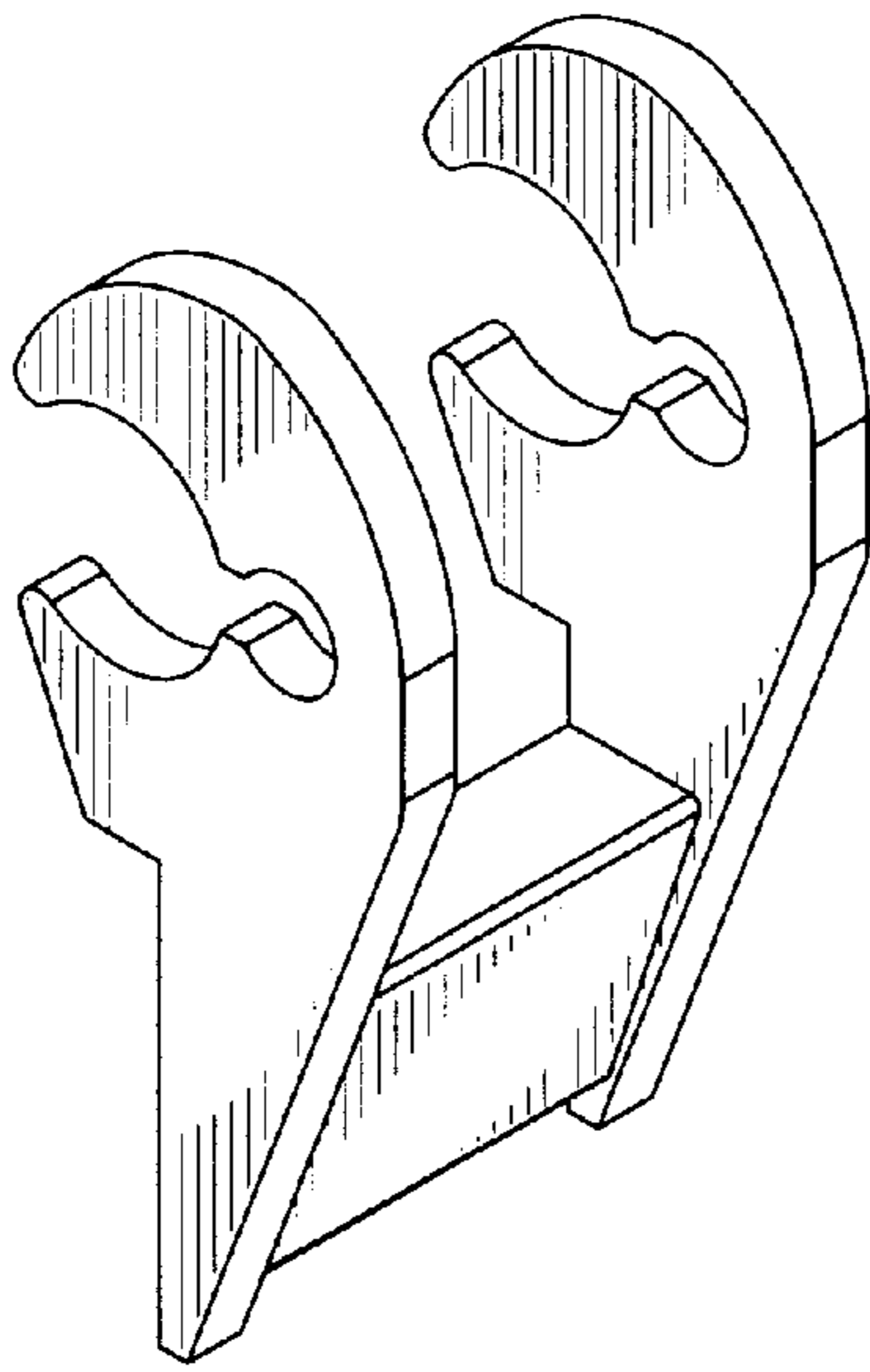
The ornamental design for a paper guide, as shown and described.

**DESCRIPTION**

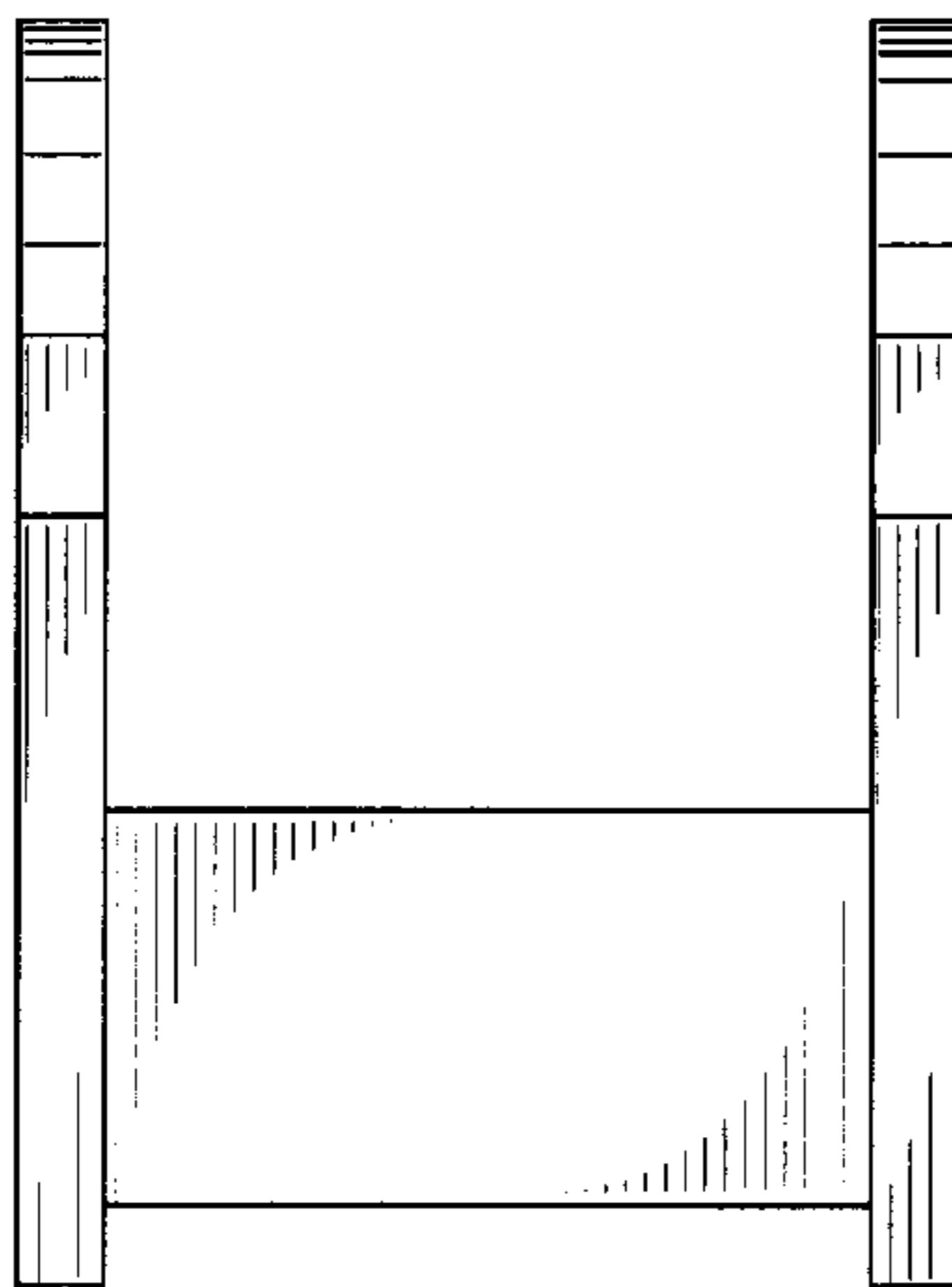
FIG. 1 is a perspective view of a paper guide showing our new design;  
FIG. 2 is an elevational view of the front of the paper guide;  
FIG. 3 is a right side elevational view of the paper guide;  
FIG. 4 is an elevational view of the back of the paper guide;  
FIG. 5 is a left elevational view of the paper guide;  
FIG. 6 is a plan view of the top of the paper guide; and,  
FIG. 7 is a bottom view of the paper guide.

**1 Claim, 3 Drawing Sheets**

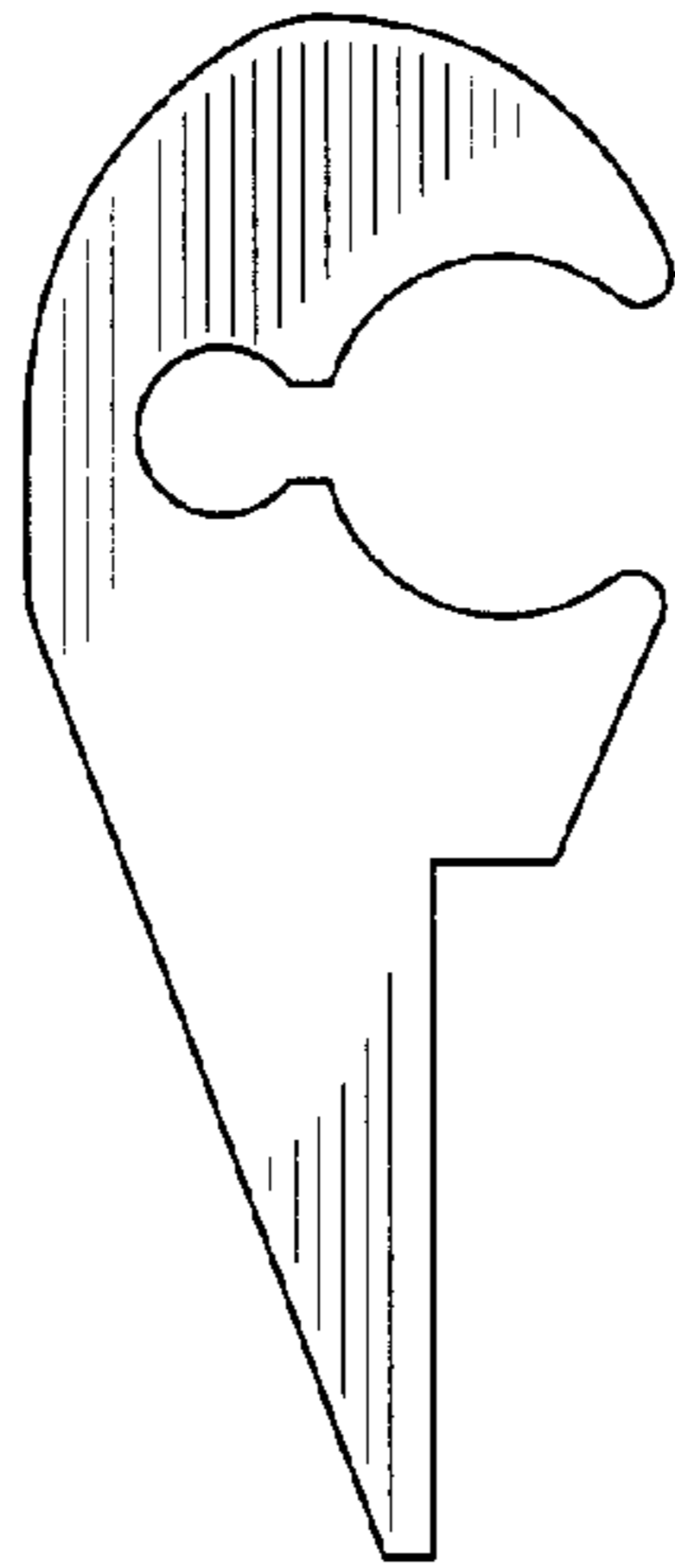




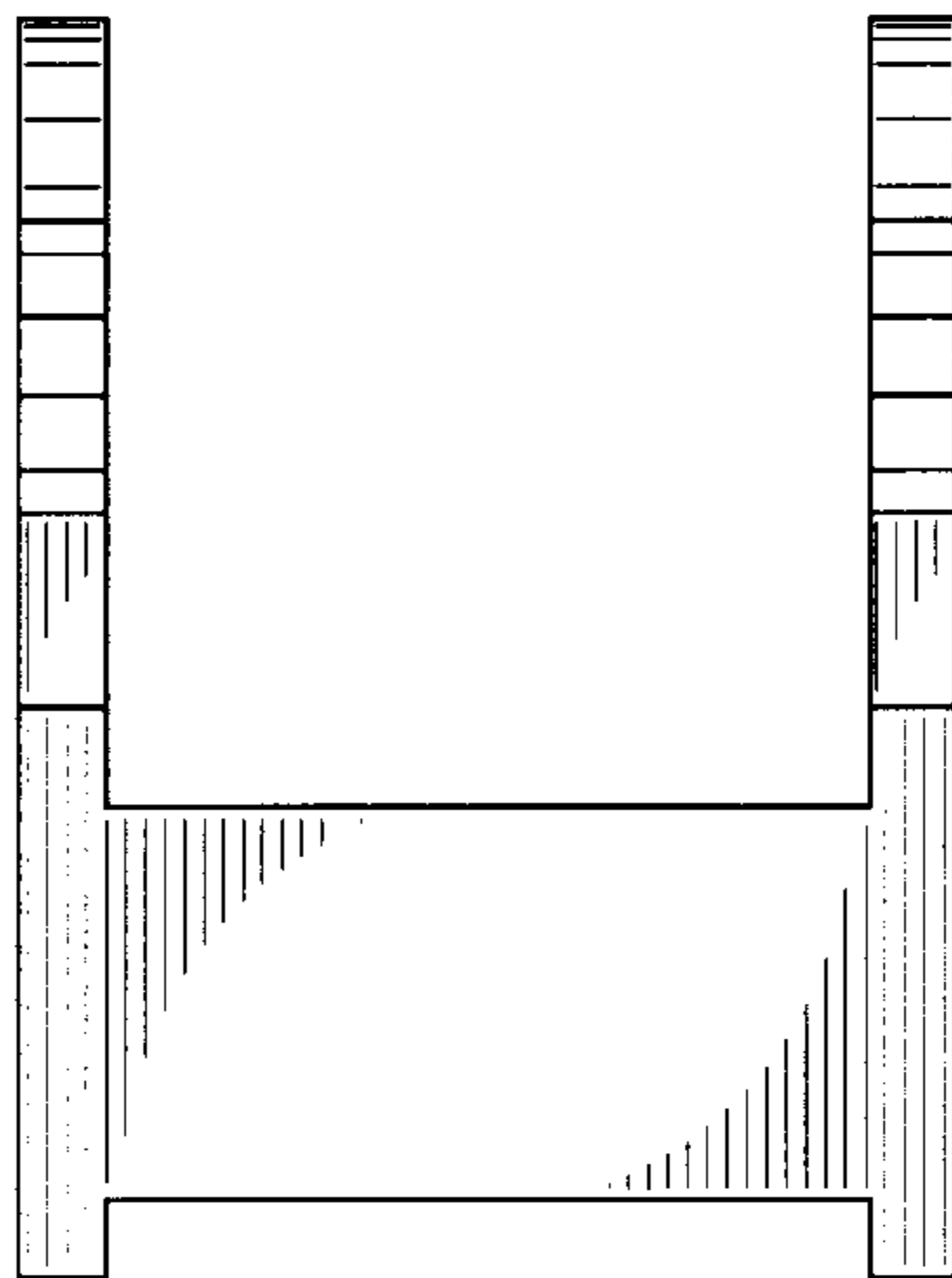
**FIG. 1**



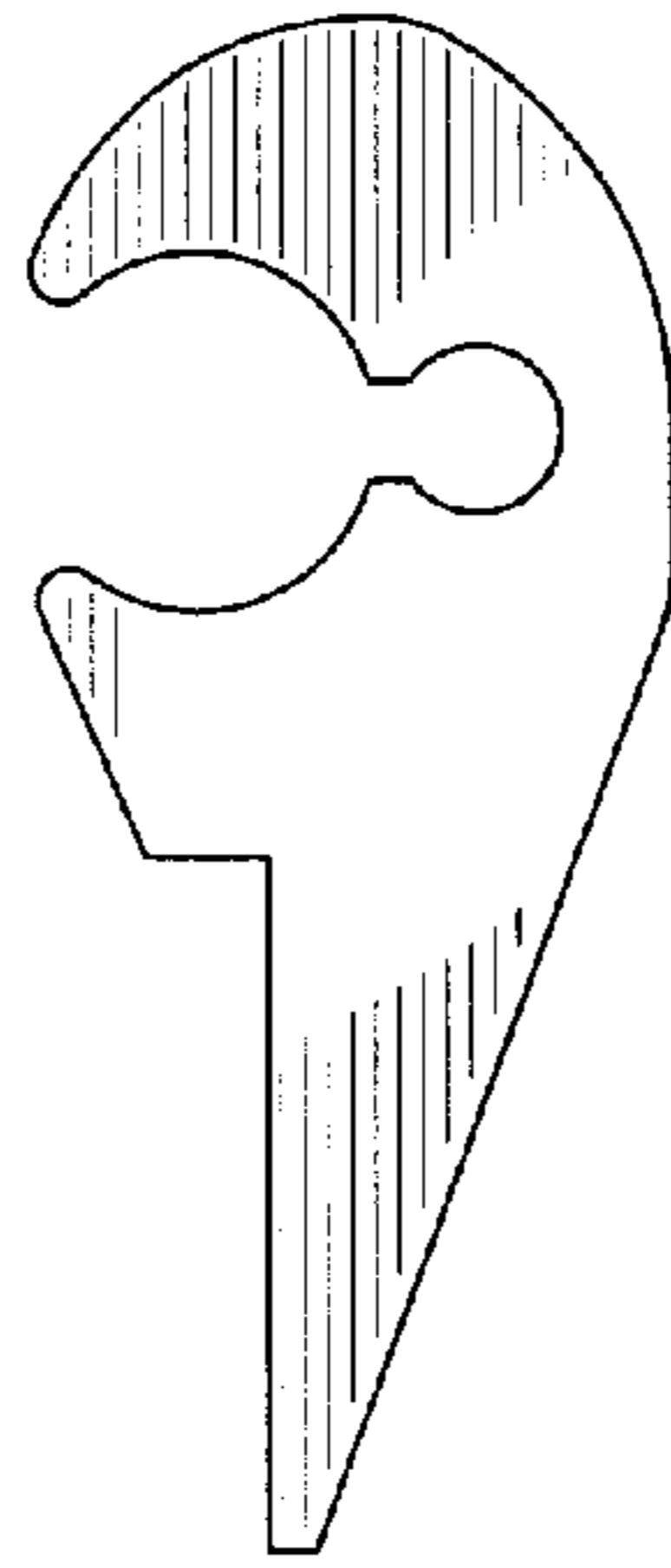
**FIG. 2**



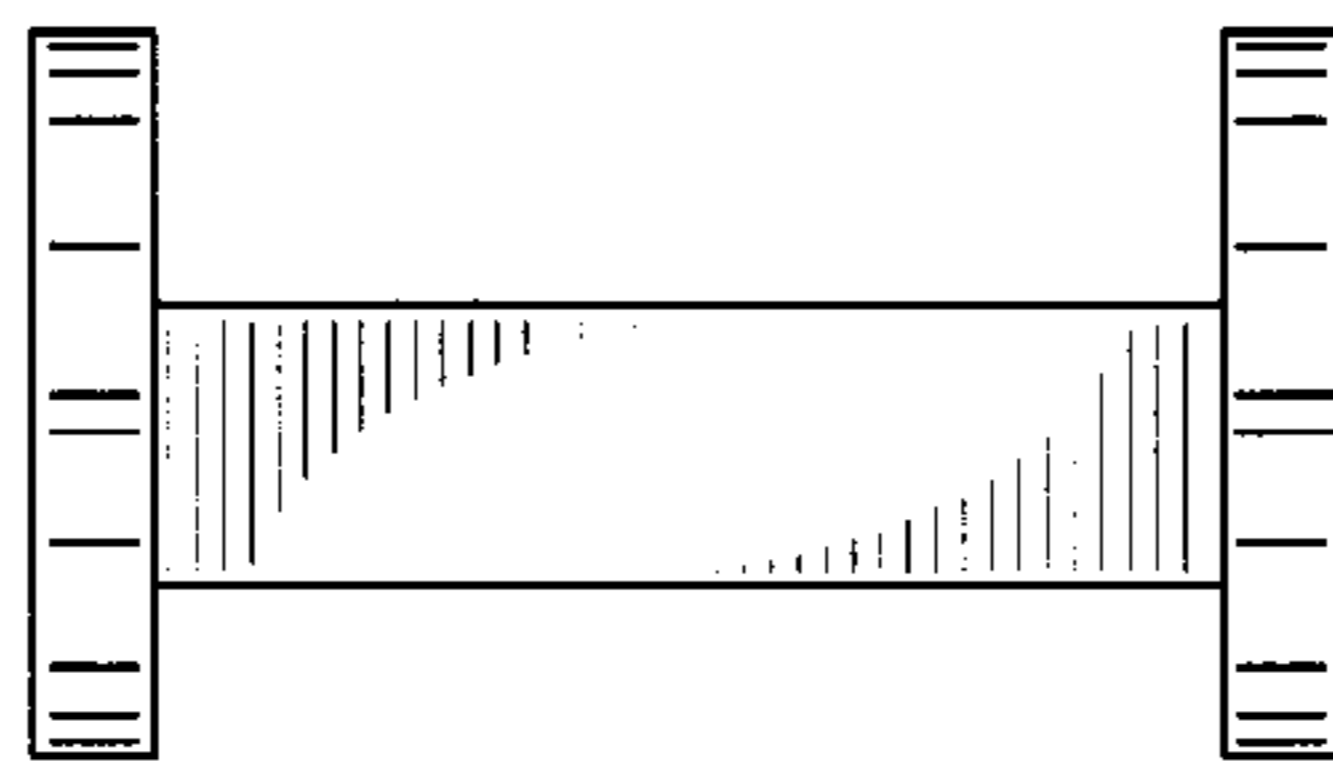
**FIG. 3**



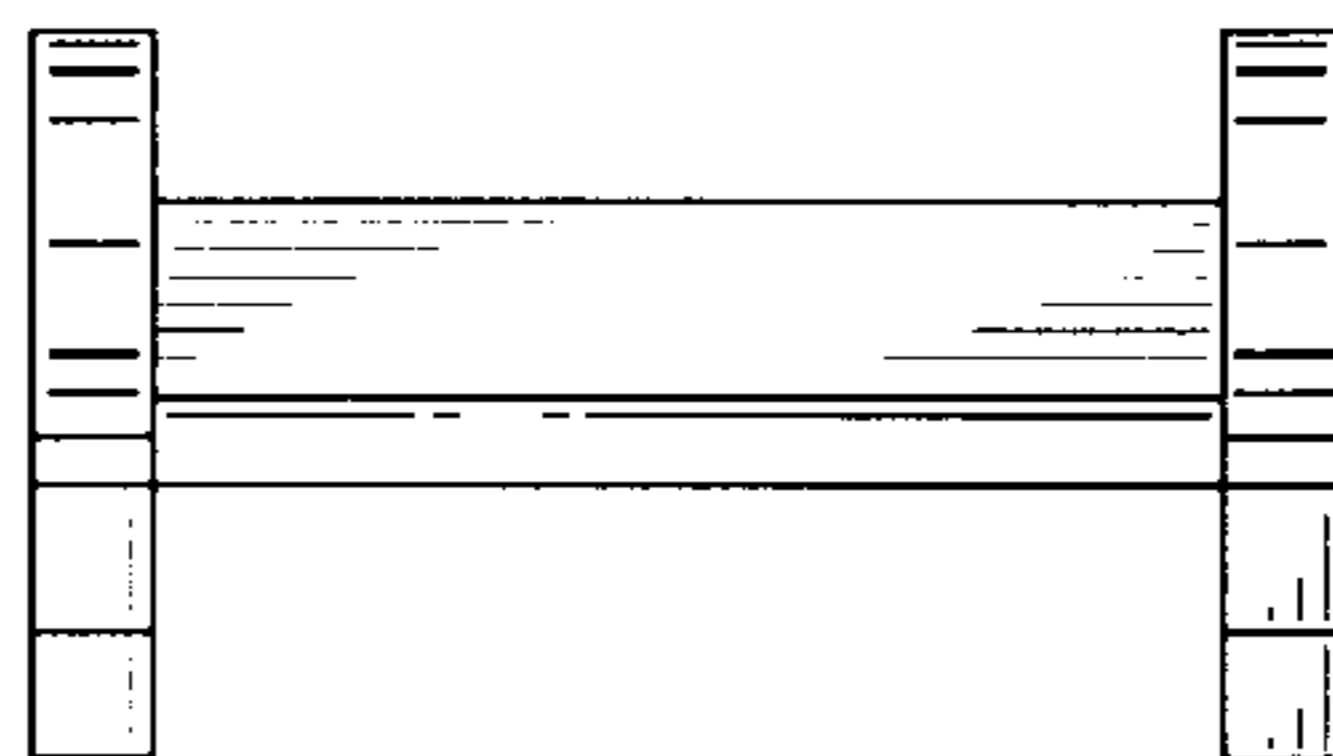
**FIG. 4**



**FIG. 5**



**FIG. 6**



**FIG. 7**