



US00D418151S

# United States Patent [19] Sumita

[11] **Patent Number: Des. 418,151**

[45] **Date of Patent: \*\* Dec. 28, 1999**

[54] **ELECTRONIC CAMERA WITH A SCREEN**

### OTHER PUBLICATIONS

[75] Inventor: **Kaoru Sumita**, Tokyo, Japan

Catalog No. 87, pp. 209 & 210, (Nov., 1997).

[73] Assignee: **Sony Corporation**, Tokyo, Japan

*Primary Examiner*—Adir Aronovich  
*Attorney, Agent, or Firm*—Foley & Lardner

[\*\*] Term: **14 Years**

### [57] CLAIM

[21] Appl. No.: **29/075,600**

The ornamental design for an electronic camera with a screen, as shown and described.

[22] Filed: **Sep. 3, 1997**

### DESCRIPTION

[51] **LOC (6) Cl.** ..... **16-01**

[52] **U.S. Cl.** ..... **D16/202**

[58] **Field of Search** ..... D16/200–208,  
D16/216–218; 348/373–376; 358/906, 909.1;  
396/535–543

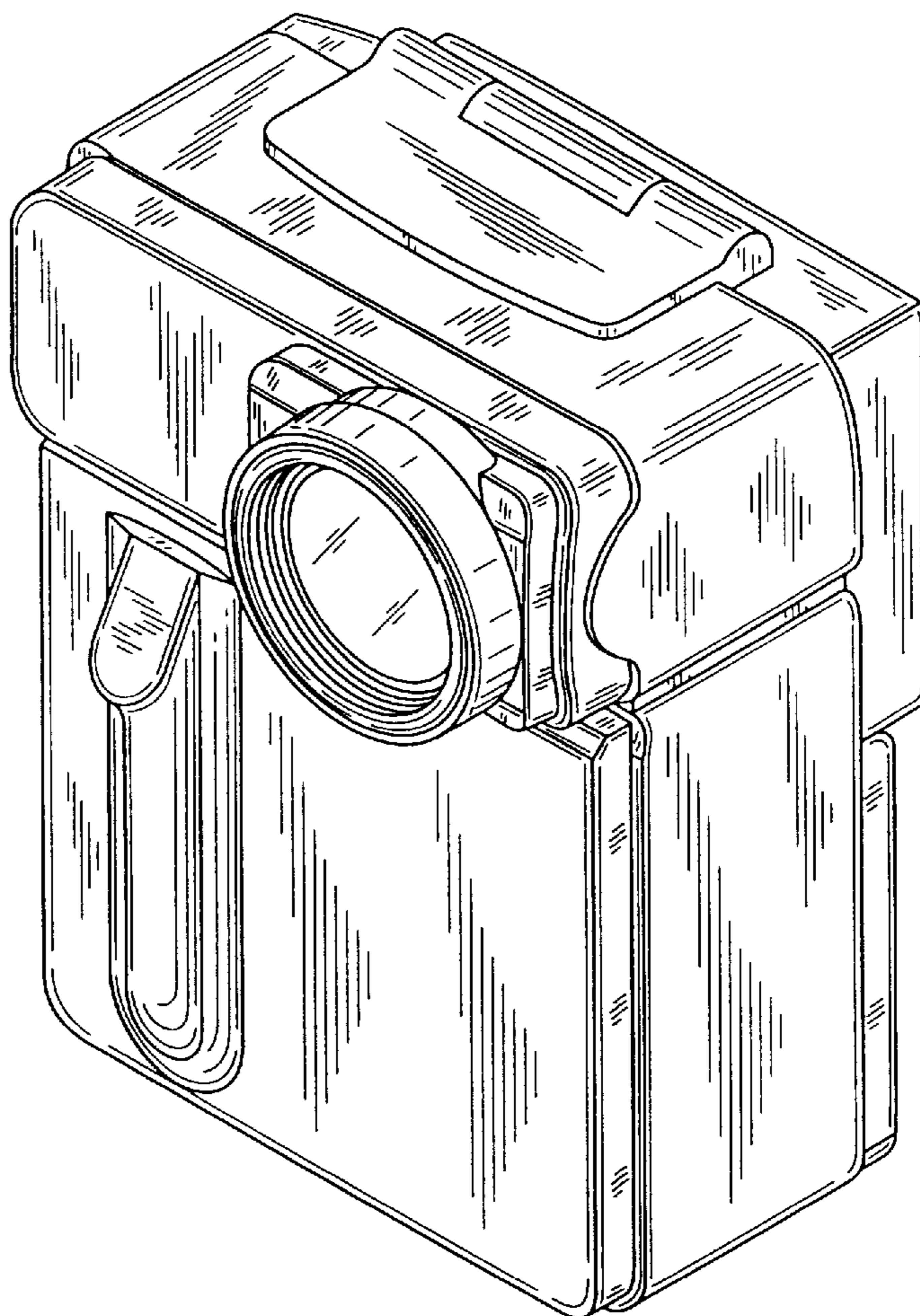
FIG. 1 is a top, front and right perspective view of an electronic camera with a screen showing my new design; FIG. 2 is a top plan view thereof; FIG. 3 is a left side elevational view thereof; FIG. 4 is a front elevational view thereof; FIG. 5 is a bottom plan view thereof; FIG. 6 is a right side elevational view thereof; FIG. 7 is a rear elevational view thereof; and, FIG. 8 is a bottom, front and left side perspective view thereof, wherein the cover portion is in an open position. The broken lines are shown for illustrative purposes only and form no part of the claimed design.

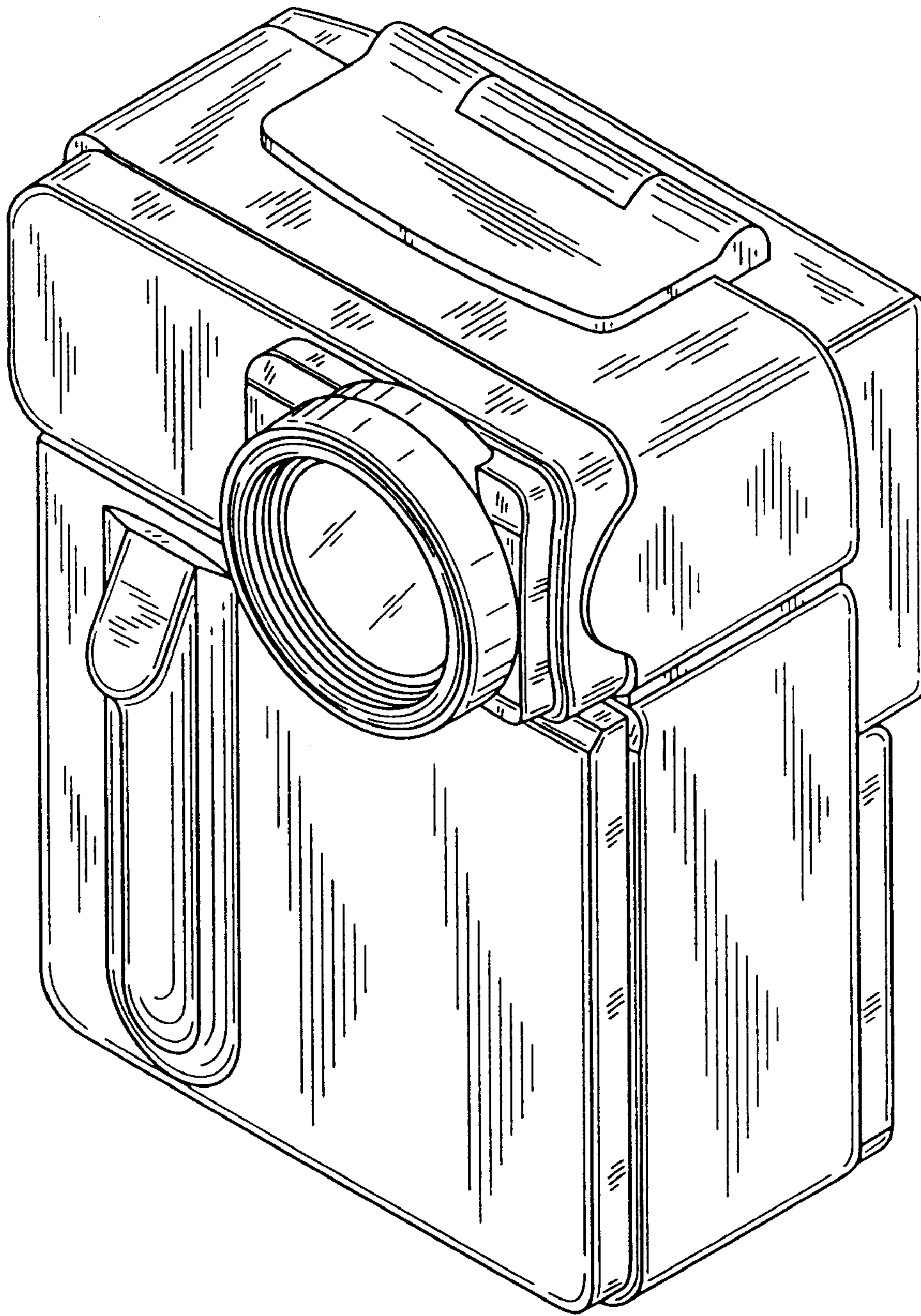
### [56] References Cited

#### U.S. PATENT DOCUMENTS

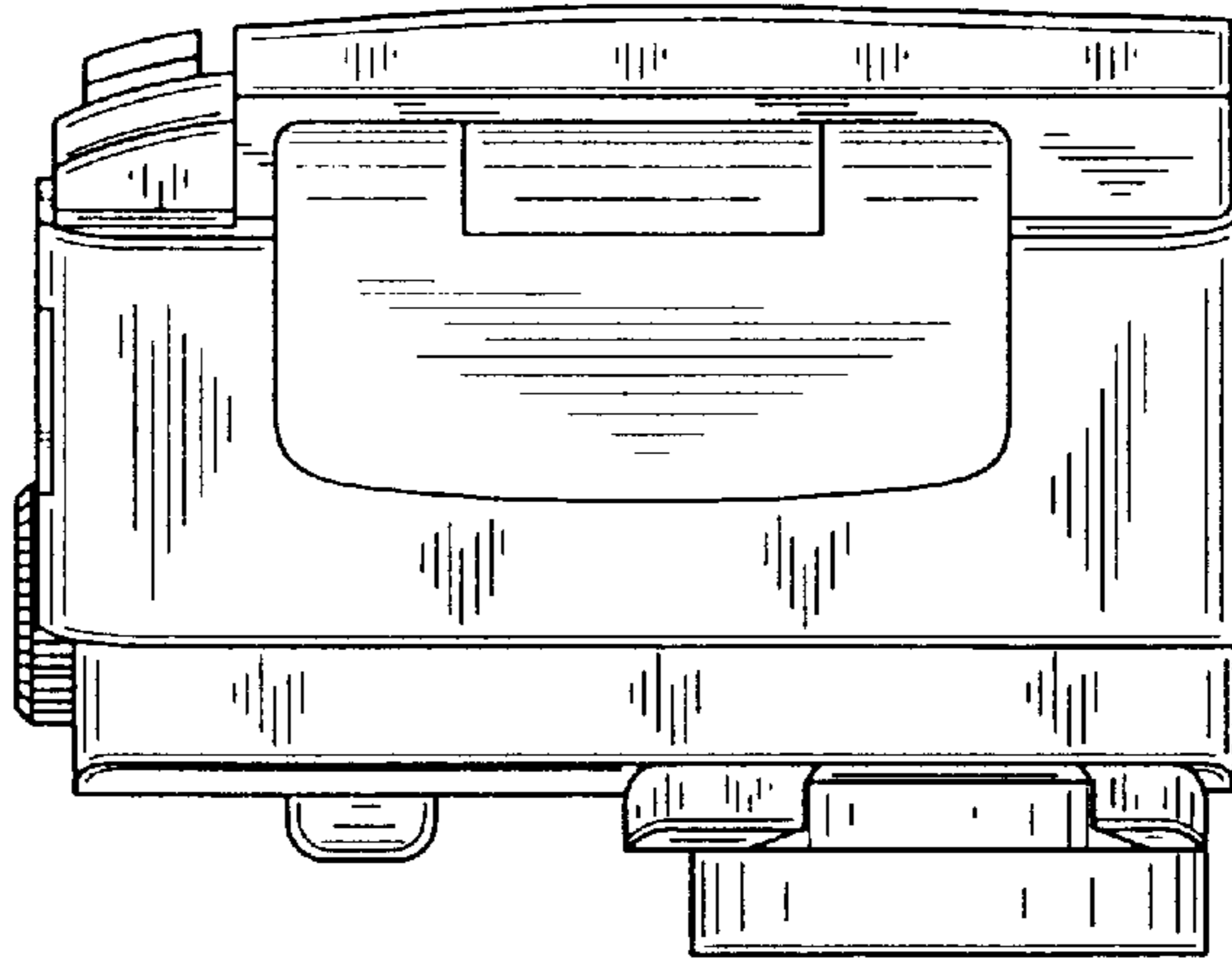
D. 244,686	6/1977	Hansen	.....	D16/218
D. 296,551	7/1988	Mizogui	.....	D16/202
D. 354,300	1/1995	Ina et al.	.....	D16/202
D. 369,819	5/1996	Mori	.....	D16/202
D. 384,964	10/1997	Ito et al.	.....	D16/202
5,610,678	3/1997	Tsuboi et al.	.....	348/375

**1 Claim, 5 Drawing Sheets**

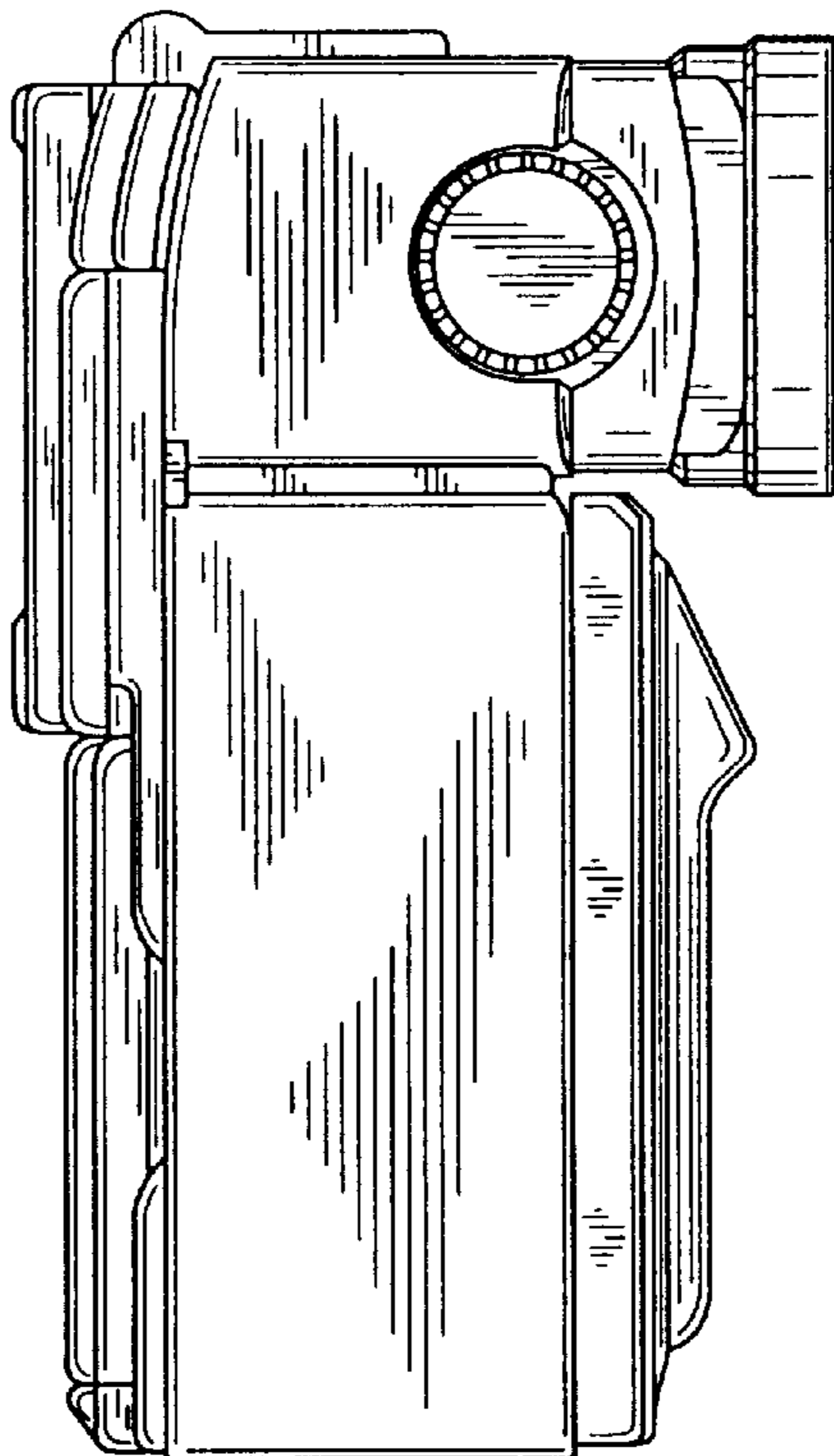




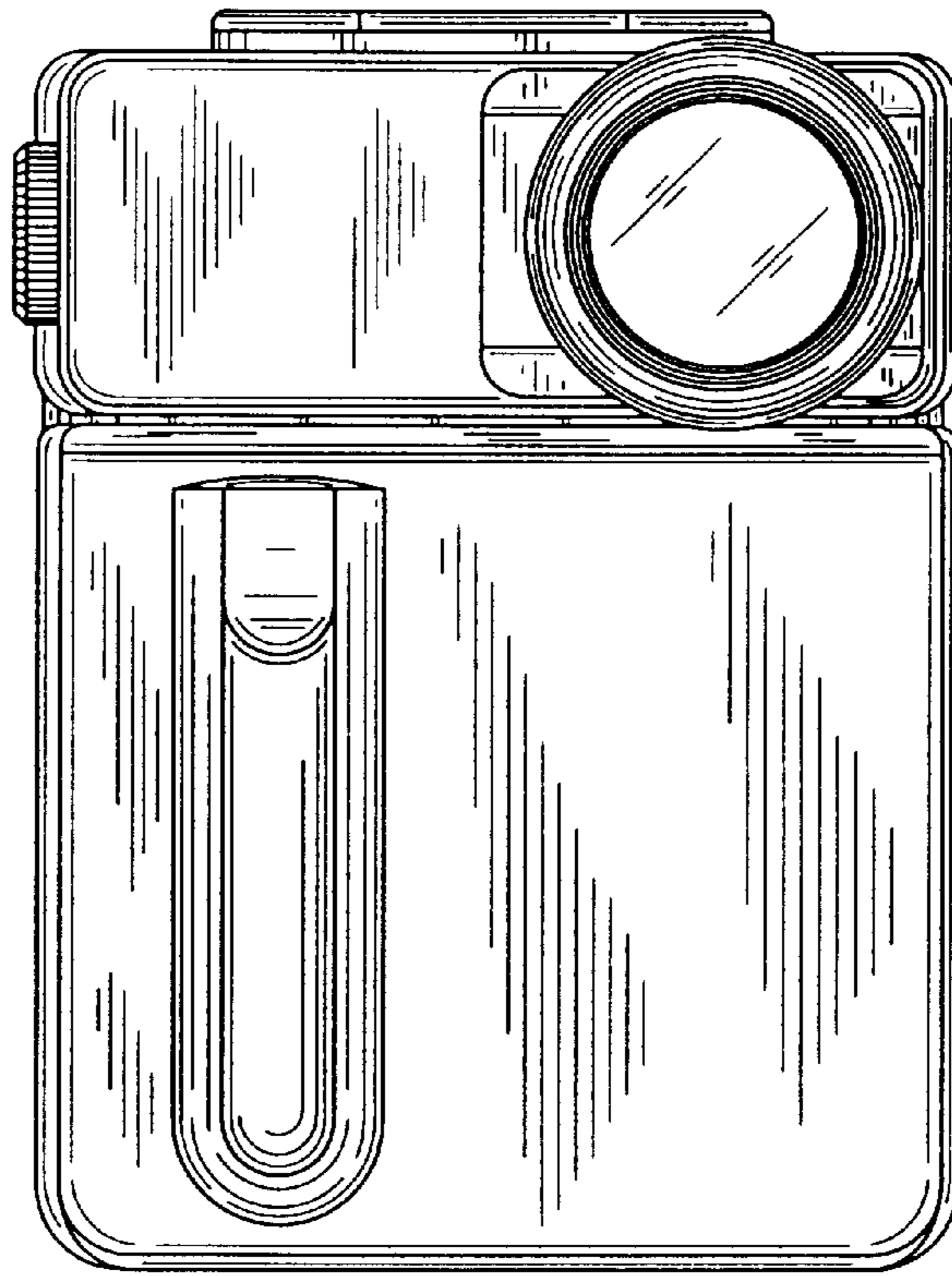
**FIG. 1**



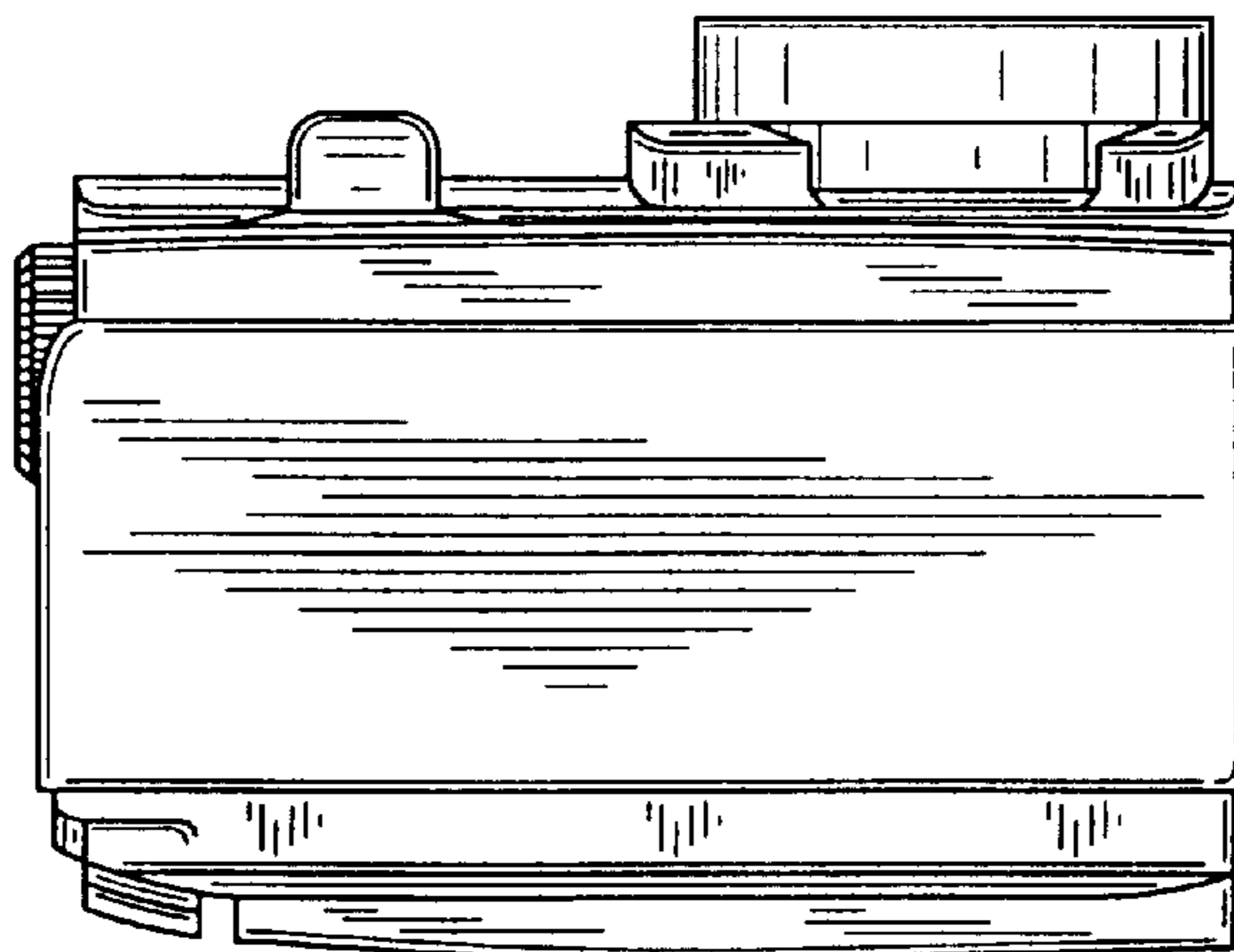
**FIG. 2**



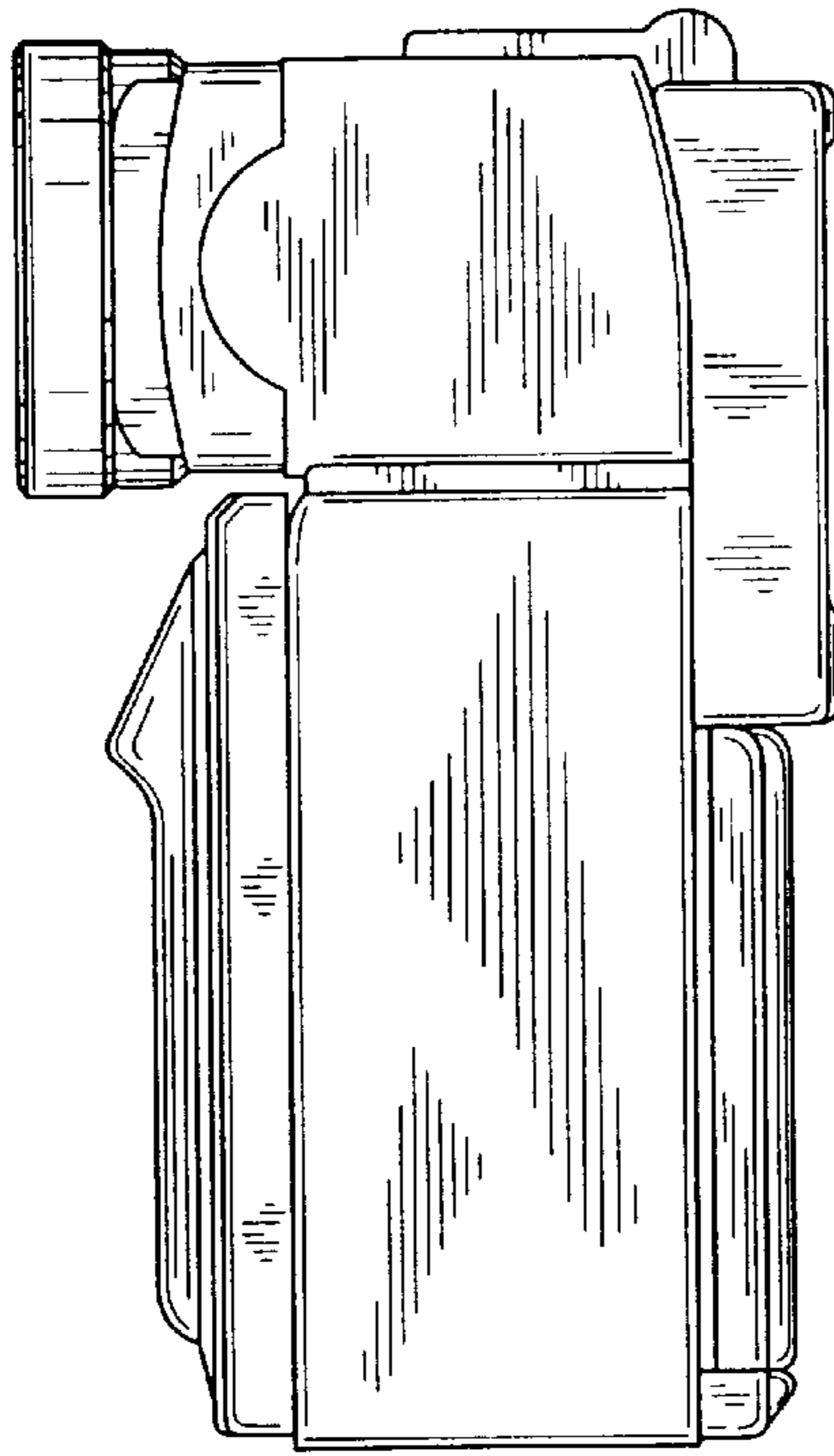
**FIG. 3**



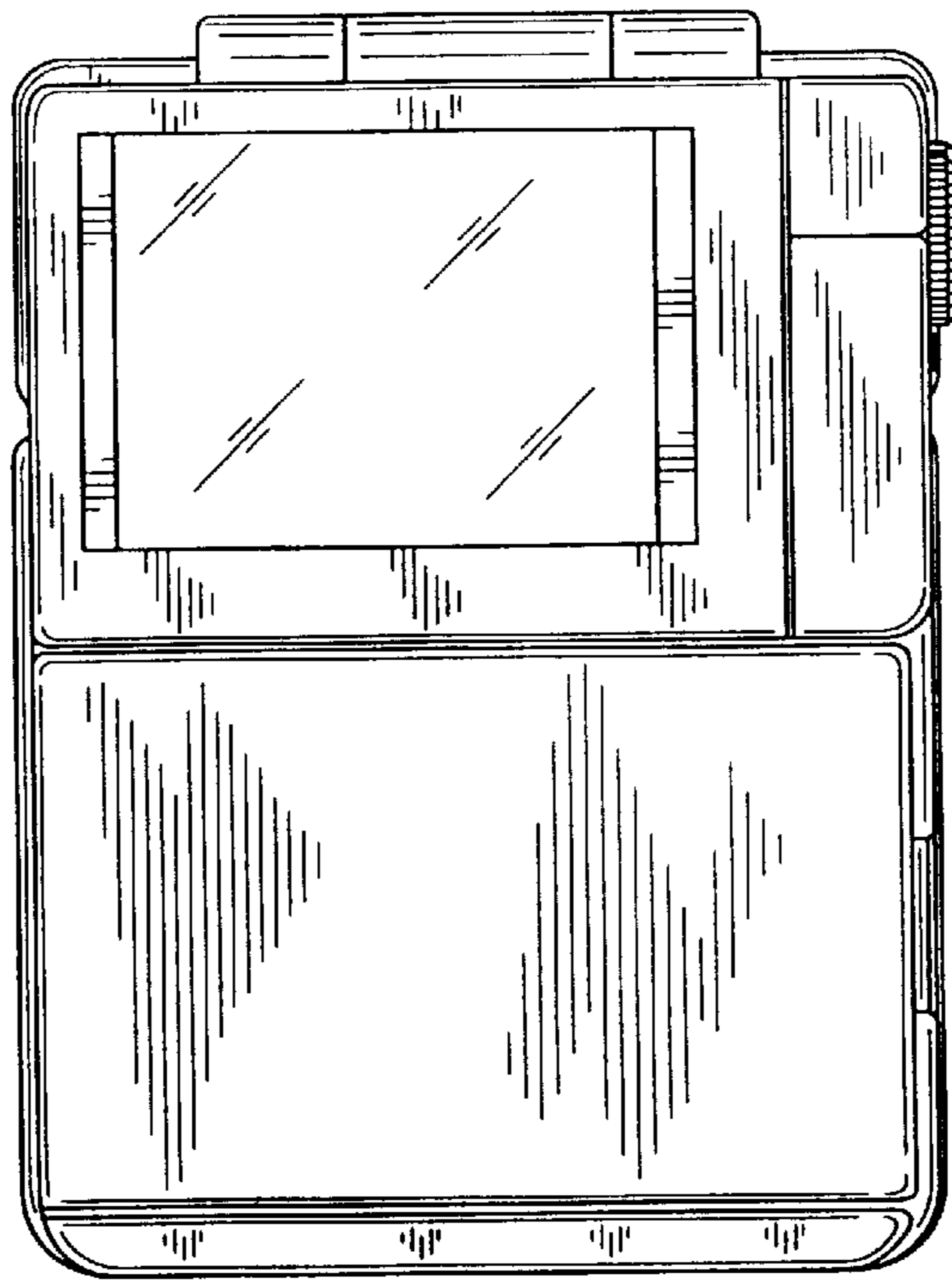
**FIG. 4**



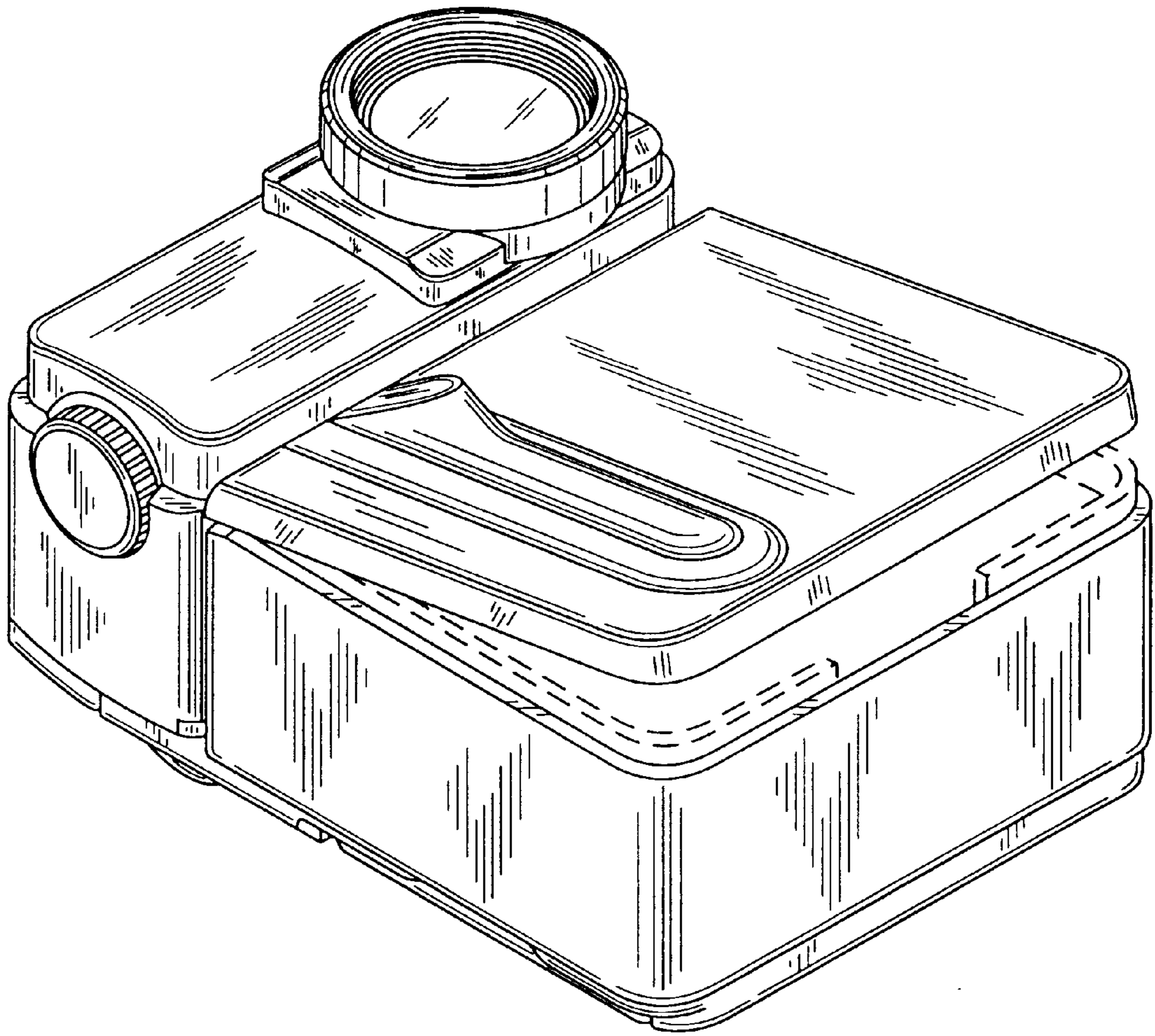
**FIG. 5**



**FIG. 6**



**FIG. 7**



**FIG. 8**