



US00D418149S

United States Patent [19]

[11] Patent Number: **Des. 418,149**

Brunson et al.

[45] Date of Patent: **** Dec. 28, 1999**

[54] **BASE ASSEMBLY FOR A SLIDING COMPOUND MITER SAW**

4,934,233	6/1990	Brundage et al. .	
5,437,214	8/1995	Saski et al.	83/471.3
5,524,516	6/1996	Saski et al.	83/471.3
5,564,323	10/1996	Saski et al.	83/471.3
B1 4,934,233	8/1994	Brundage et al. .	
B1 5,042,348	8/1994	Brundage et al. .	

[75] Inventors: **Mark E. Brunson**, Abingdon; **Robert P. Welsh**, Hunt Valley, both of Md.

[73] Assignee: **Black & Decker Inc.**, Newark, Del.

[**] Term: **14 Years**

[21] Appl. No.: **29/087,902**

[22] Filed: **May 11, 1998**

Related U.S. Application Data

[63] Continuation of application No. 29/072,694, Jun. 19, 1997, Pat. No. Des. 399,218.

[51] **LOC (6) Cl.** **15-09**

[52] **U.S. Cl.** **D15/133**

[58] **Field of Search** D15/133; 83/397, 83/471.1, 471.2, 471.3, 477, 581

[56] References Cited

U.S. PATENT DOCUMENTS

D. 305,542	1/1990	Miyamoto et al. .	
D. 306,031	2/1990	Ushiwata et al. .	
D. 336,652	6/1993	Arehart .	
D. 346,173	4/1994	Price .	
D. 391,973	3/1998	Price et al.	D15/133
4,638,700	1/1987	Fushiya et al. .	

FOREIGN PATENT DOCUMENTS

59-225909	of 1984	Japan .
61-284401	of 1986	Japan .

Primary Examiner—Antoine Duval Davis
Attorney, Agent, or Firm—Harness, Dickey & Pierce P.L.C.

[57] CLAIM

The ornamental design for a base assembly for a sliding compound miter saw, as shown and described.

DESCRIPTION

FIG. 1 is a perspective view of the design for a base assembly for a sliding compound miter saw according to the present invention; FIG. 2 is a top plan view thereof; FIG. 3 is a front elevational view thereof; FIG. 4 is a right side elevational view thereof; FIG. 5 is a left elevational view thereof; and, FIG. 6 is a rear elevational view thereof. The broken line showing of the sliding compound miter saw is for illustrative purposes only and forms no part of the claimed design.

1 Claim, 3 Drawing Sheets

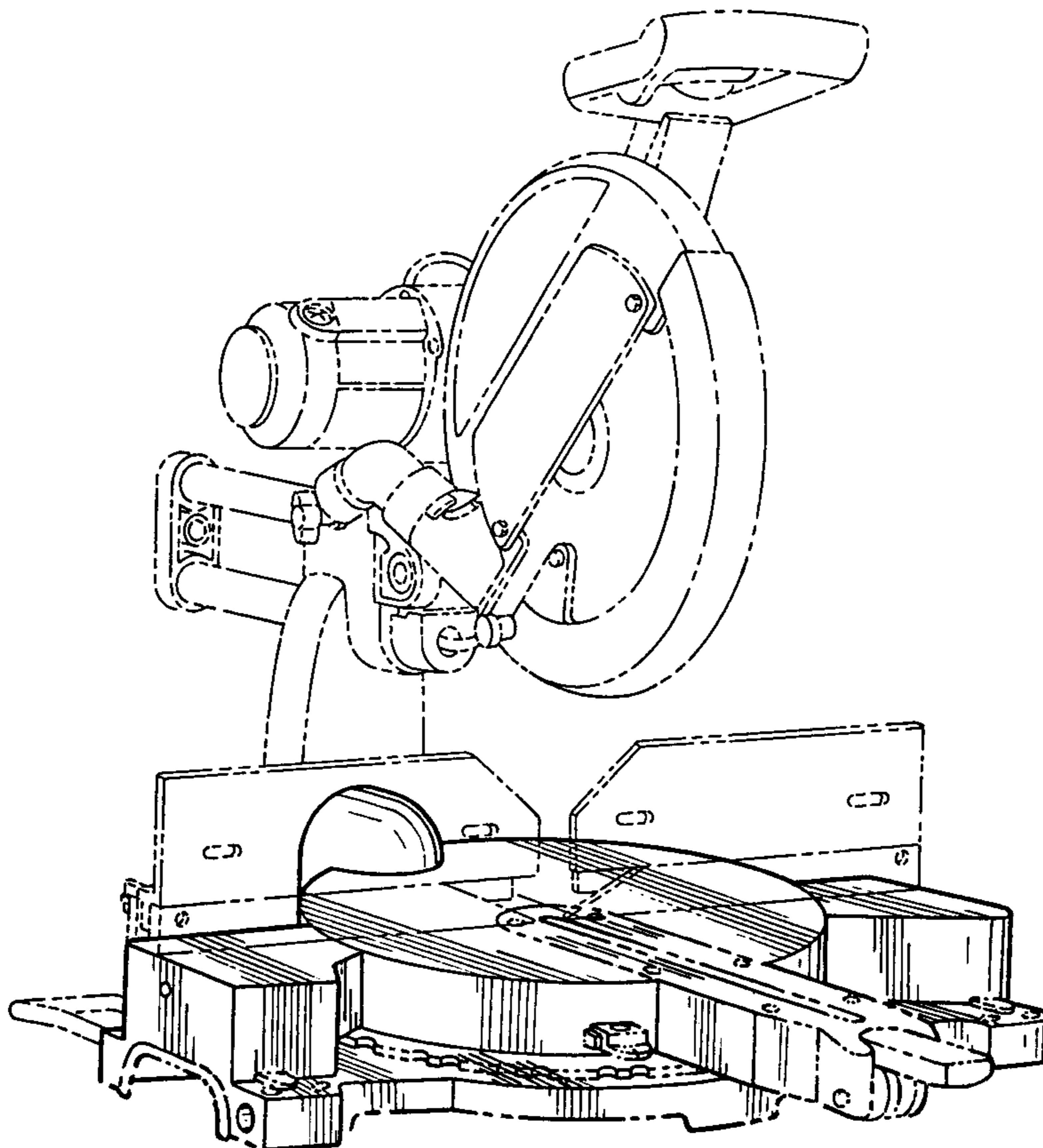
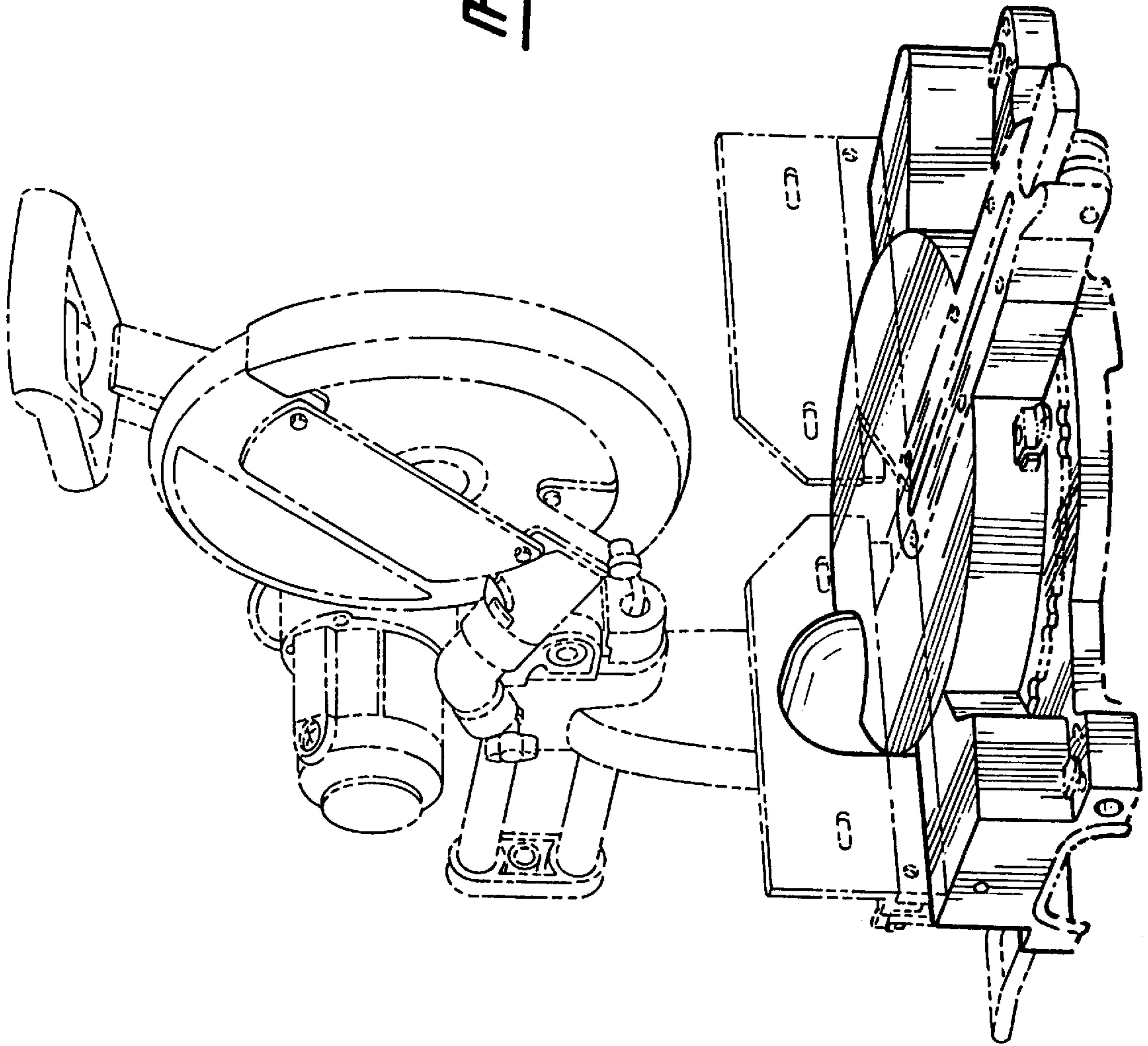


Fig-1



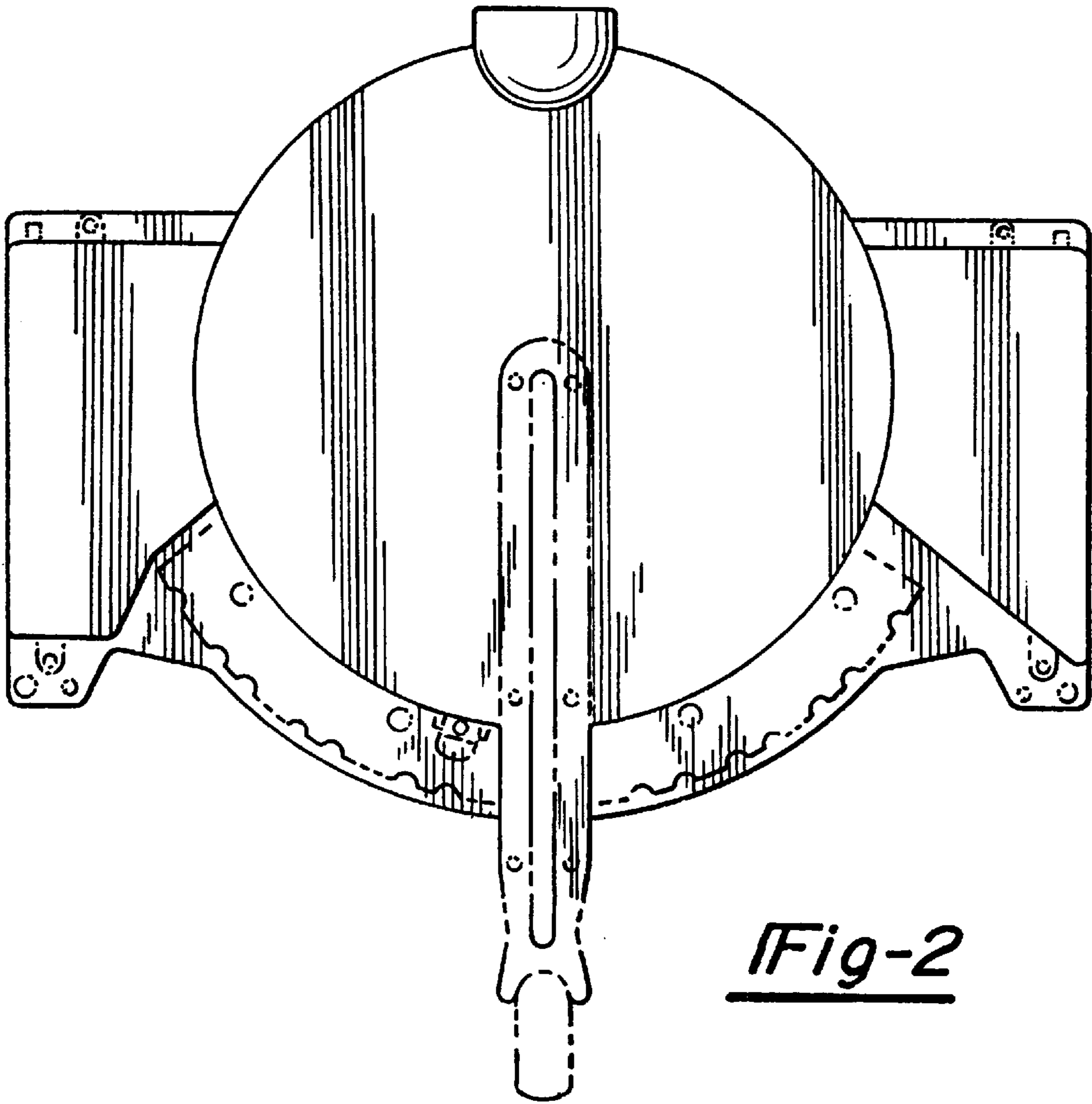


Fig-2

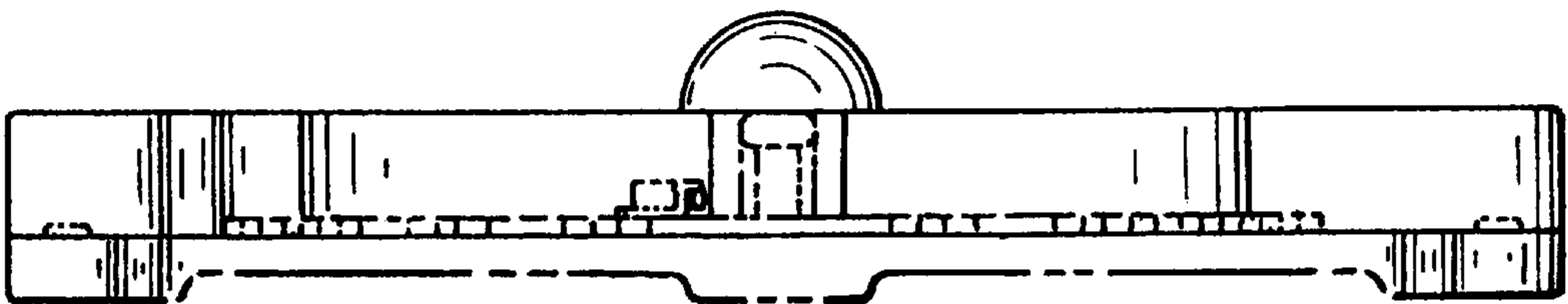


Fig-3

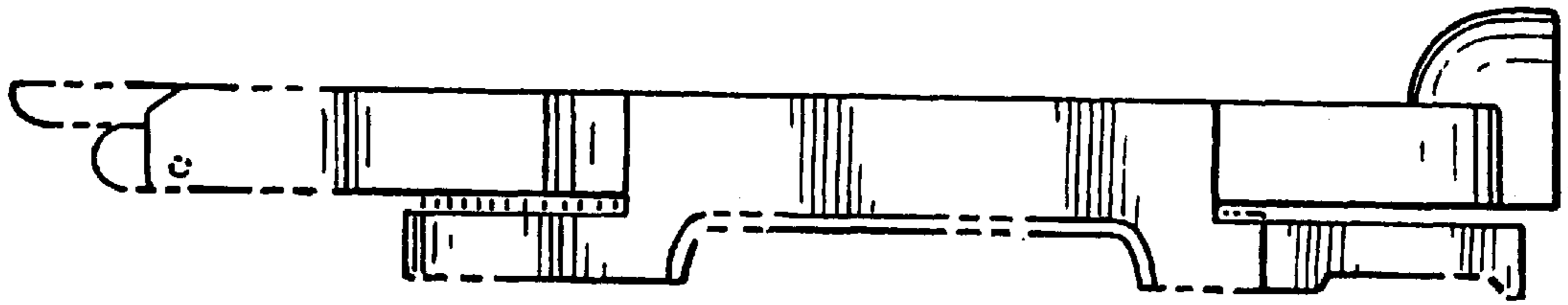


Fig-4

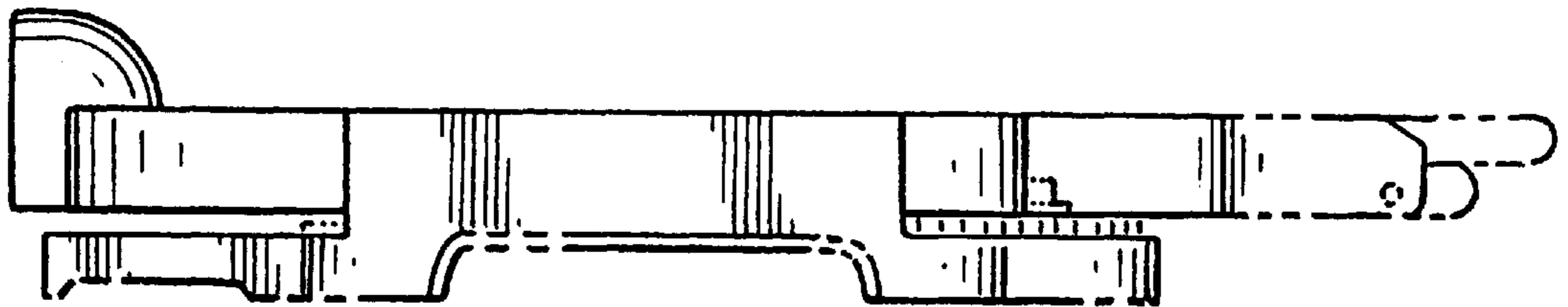


Fig-5

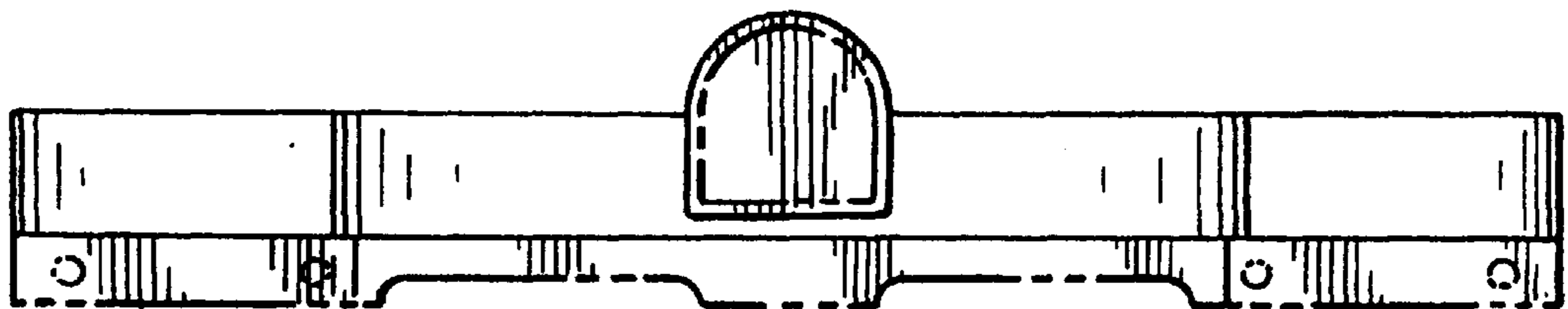


Fig-6