



US00D418148S

United States Patent [19]

Price et al.

[11] **Patent Number: Des. 418,148**

[45] **Date of Patent: ** Dec. 28, 1999**

[54] **MOTOR HOUSING FOR A SLIDING COMPOUND MITER SAW**

D. 334,576 4/1993 Kawakami et al. D15/133
D. 336,652 6/1993 Arehart .
D. 345,743 4/1994 Garcia D15/133

[75] Inventors: **Scott Price**, Pylesville; **Robert P. Welsh**, Hunt Valley, both of Md.

Primary Examiner—Antoine Duval Davis
Attorney, Agent, or Firm—Harness, Dickey & Pierce, P.L.C.

[73] Assignee: **Black & Decker Inc.**, Newark, Del.

[57] **CLAIM**

[**] Term: **14 Years**

The ornamental design for a motor housing for a sliding compound miter saw, as shown and described.

[21] Appl. No.: **29/072,692**

DESCRIPTION

[22] Filed: **Jun. 19, 1997**

FIG. 1 is a perspective view of the design for a motor housing for a sliding compound miter saw according to the present invention;
FIG. 2 is a front elevational view thereof;
FIG. 3 is a left side elevational view thereof;
FIG. 4 is a top plan view thereof;
FIG. 5 is a bottom plan view thereof; and,
FIG. 6 is a right side elevational view thereof.
The broken line showing of is for illustrative purposes only and forms no part of the claimed design.

[51] **LOC (6) Cl.** **15-09**

[52] **U.S. Cl.** **D15/133**

[58] **Field of Search** D15/133; 83/468.3,
83/471.1, 471.2, 471.3, 477, 581, 859,
776-783

[56] **References Cited**

U.S. PATENT DOCUMENTS

D. 305,542 1/1990 Miyamoto et al. .
D. 306,031 2/1990 Ushiwata et al. .

1 Claim, 2 Drawing Sheets

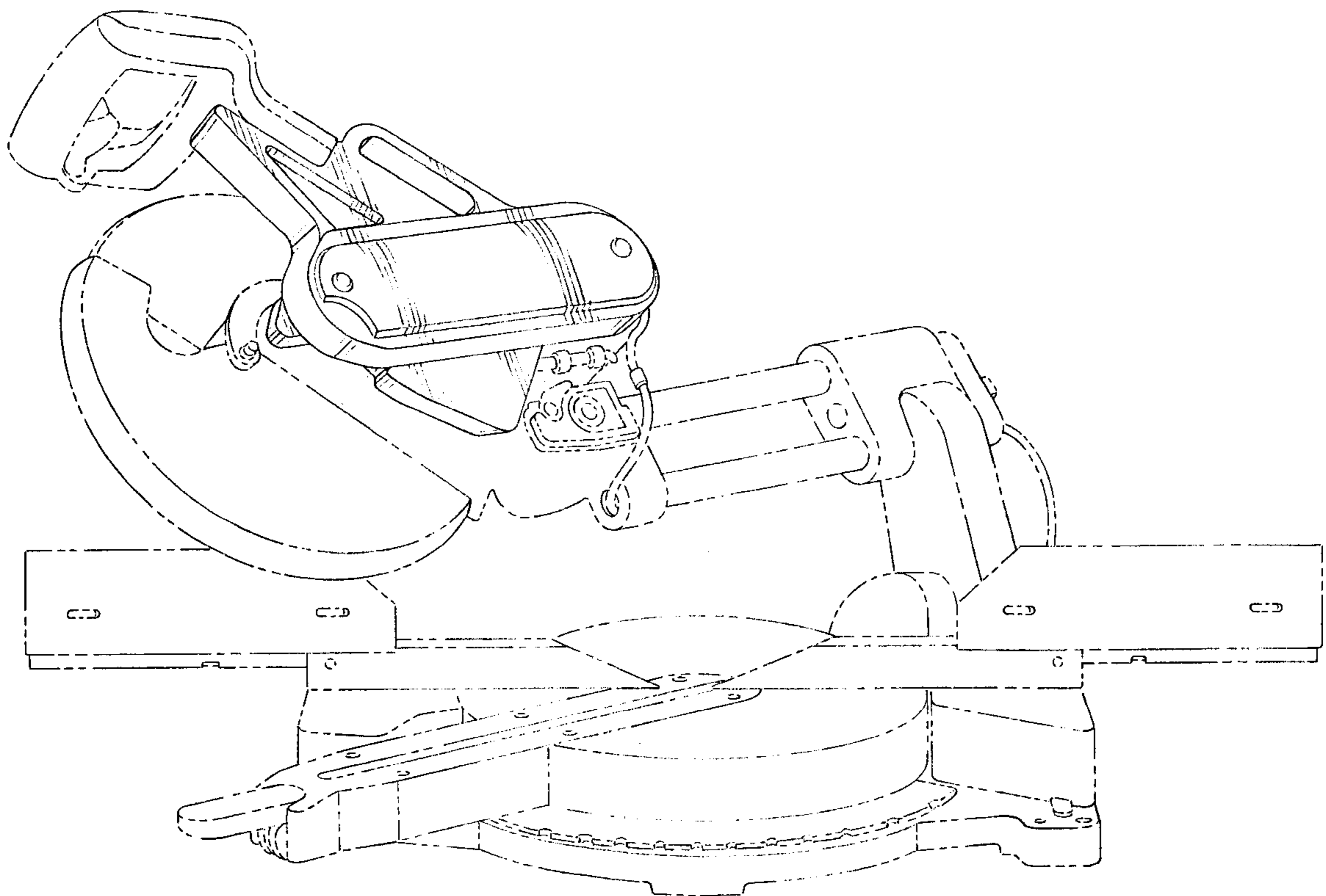
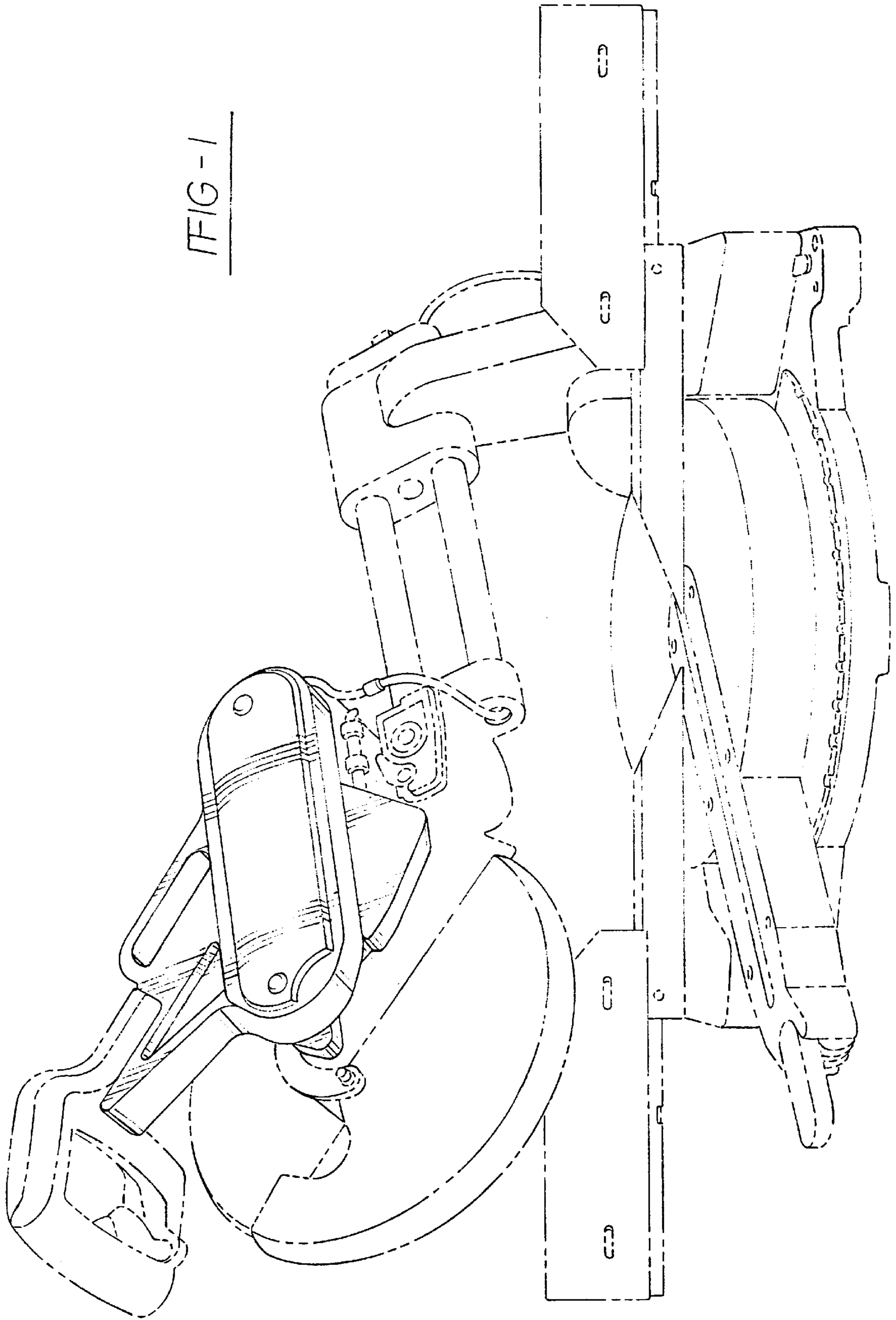


FIG - 1



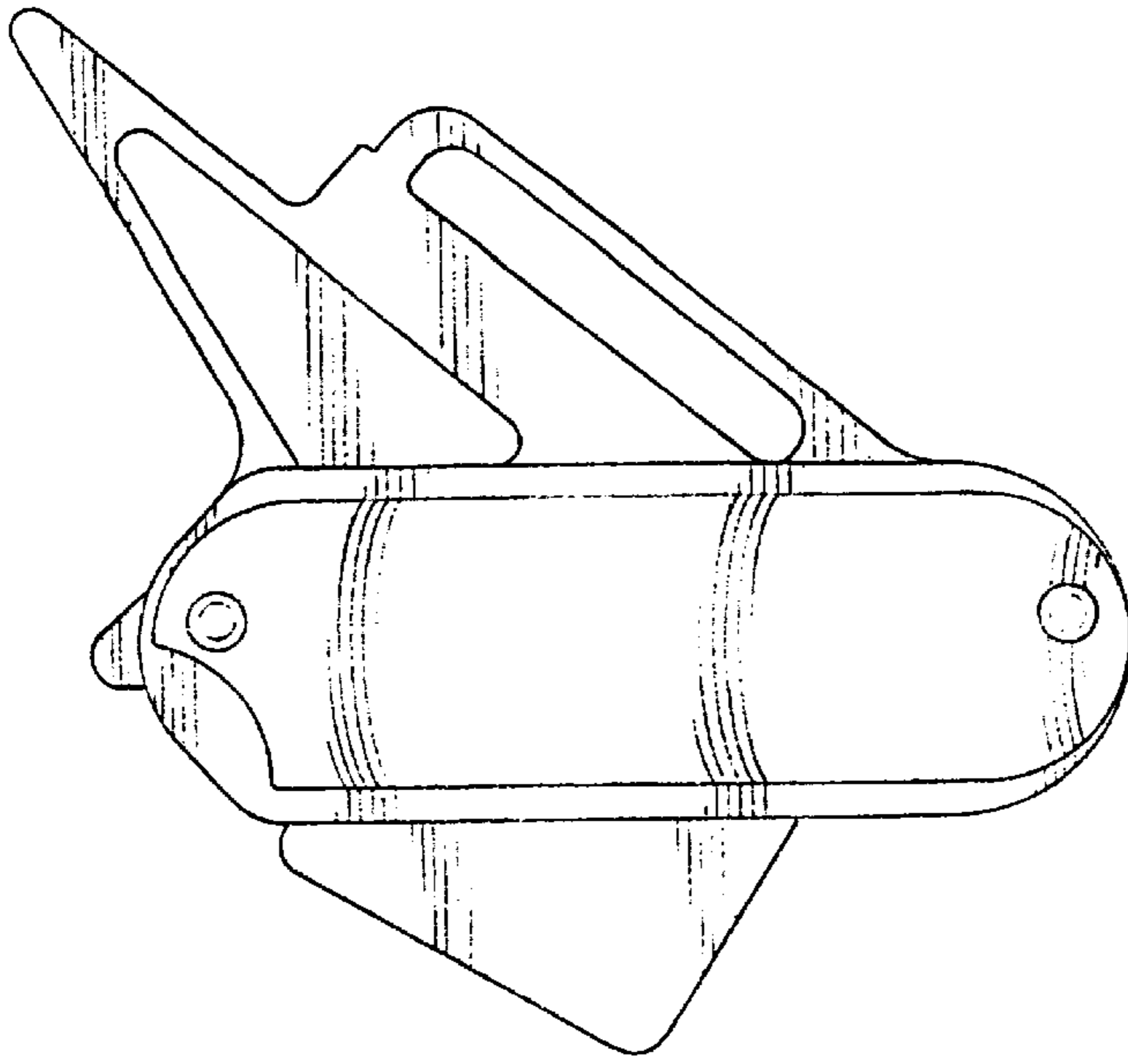


FIG-2

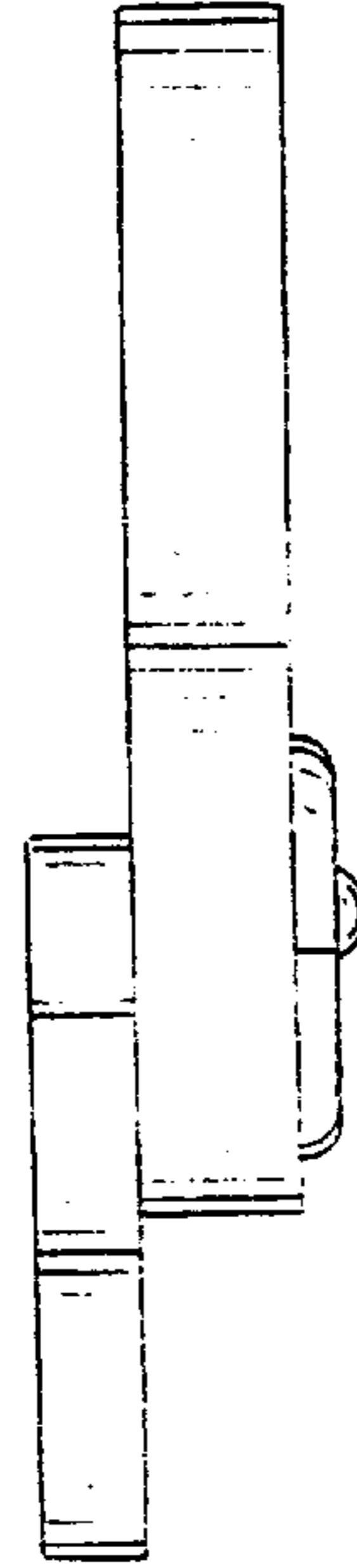


FIG-3

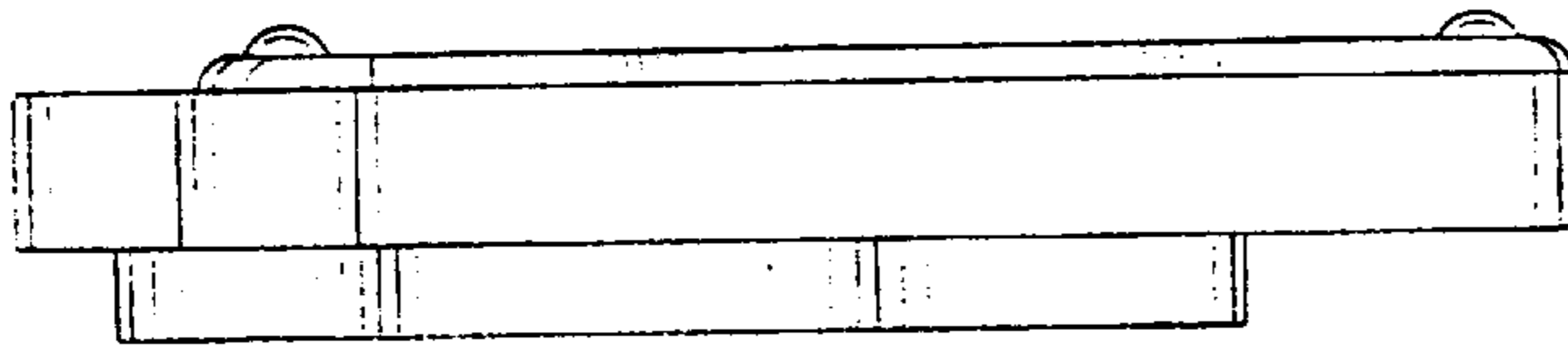


FIG-5

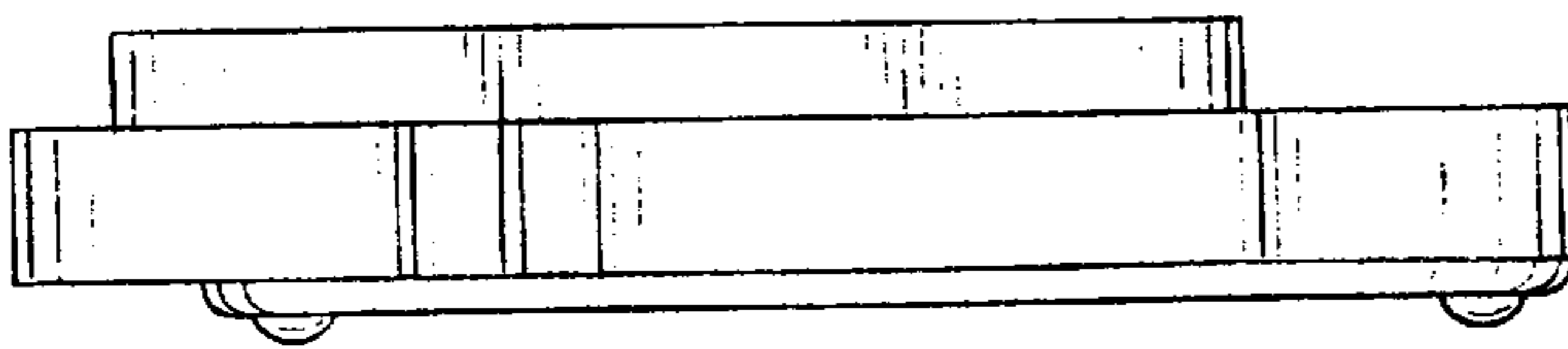


FIG-4

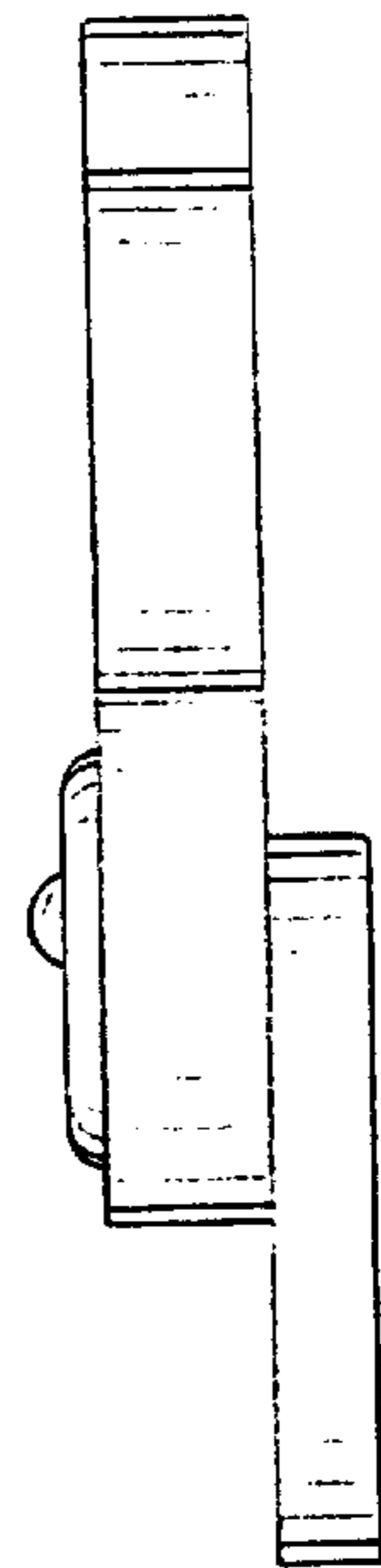


FIG-6


UNITED STATES PATENT AND TRADEMARK OFFICE
CERTIFICATE OF CORRECTION

PATENT NO. : Des. 418,148
DATED : December 28, 1999
INVENTOR(S) : Scott Price et al.

It is certified that error appears in the above-identified patent and that said Letters Patent is hereby corrected as shown below:

On the Title Page, under "Description", line 9,
after "of", insert --the sliding compound miter saw--.

Signed and Sealed this
Ninth Day of January, 2001



Q. TODD DICKINSON

Commissioner of Patents and Trademarks

Attest:

Attesting Officer