



US00D418144S

# United States Patent [19]

Allen et al.

[11] Patent Number: **Des. 418,144**

[45] Date of Patent: **\*\* Dec. 28, 1999**

[54] **PUSH BUTTON ARRANGEMENT FOR A DEVICE**

[75] Inventors: **James J. Allen**, Red Bank; **William H. Jolicoeur**, Little Silver, both of N.J.; **Ian Smith**, Nashua, N.H.; **John Philip Stoddard**, Ben Lomand, Calif.; **Carolyn J. Szymanowicz**, Matawan, N.J.; **Leslie Gayle Tudor**, Little Silver, N.J.; **David Craig Tyler**, Shrewsbury, N.J.

[73] Assignee: **Lucent Technologies Inc.**, Murray Hill, N.J.

[\*\*] Term: **14 Years**

[21] Appl. No.: **29/088,704**

[22] Filed: **May 29, 1998**

[51] **LOC (6) Cl.** ..... **14-03**

[52] **U.S. Cl.** ..... **D14/240; D14/115; D14/247**

[58] **Field of Search** ..... D14/137, 218, D14/138, 247, 148, 147, 149-151, 140-142, 240, 115, 100, 107, 114, 191; 379/433-436, 419, 420, 428, 440, 142, 441, 442; D13/162, 164, 168; D10/2, 15; 455/550-575, 90

[56] **References Cited**

**U.S. PATENT DOCUMENTS**

D. 219,383 12/1970 Fox ..... D14/241

D. 295,172	4/1988	Smith et al. ....	D14/241
D. 298,316	11/1988	Maliskas .....	D14/141
D. 348,470	7/1994	Nagele et al. ....	D14/241
D. 352,030	11/1994	Johnson et al. ....	D14/140
D. 355,895	2/1995	Soren et al. ....	D14/240
D. 368,074	3/1996	Lee et al. ....	D13/168
D. 370,663	6/1996	Swain et al. ....	D13/168
D. 388,102	12/1997	Yoneyama .....	D14/241
D. 396,845	8/1998	Cakles et al. ....	D13/168 X

*Primary Examiner*—Jeffrey Asch  
*Attorney, Agent, or Firm*—Joseph J. Opalach

[57] **CLAIM**

The ornamental design of a push button arrangement for a device, as shown and described.

**DESCRIPTION**

FIG. 1 is a top, front, and right side perspective view of a push button arrangement for a device showing our new design;

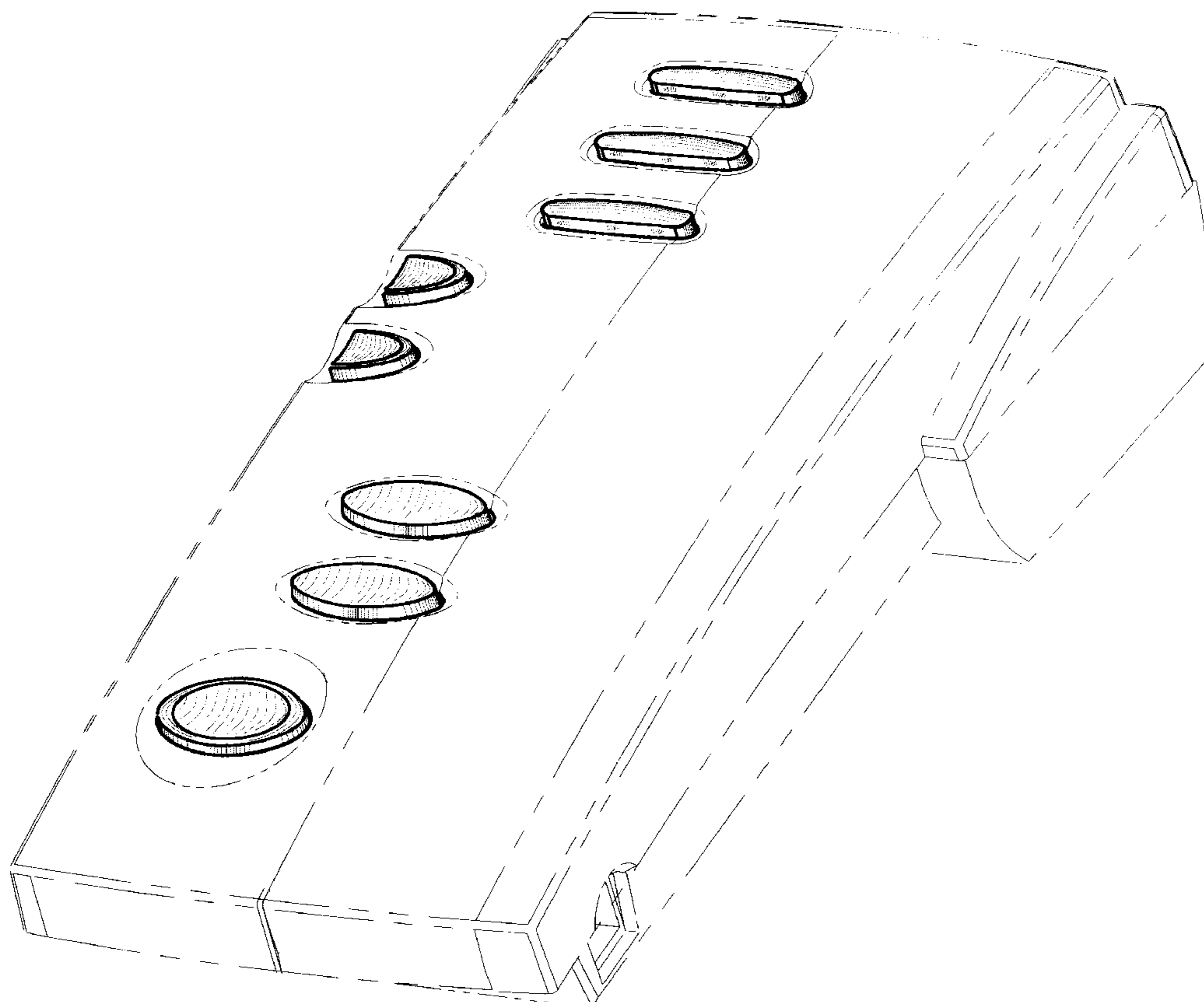
FIG. 2 is a top view thereof,

FIG. 3 is a left view thereof; and,

FIG. 4 is a right view thereof.

Broken lines are for illustrative purposes only and form no part of the claimed design.

**1 Claim, 3 Drawing Sheets**



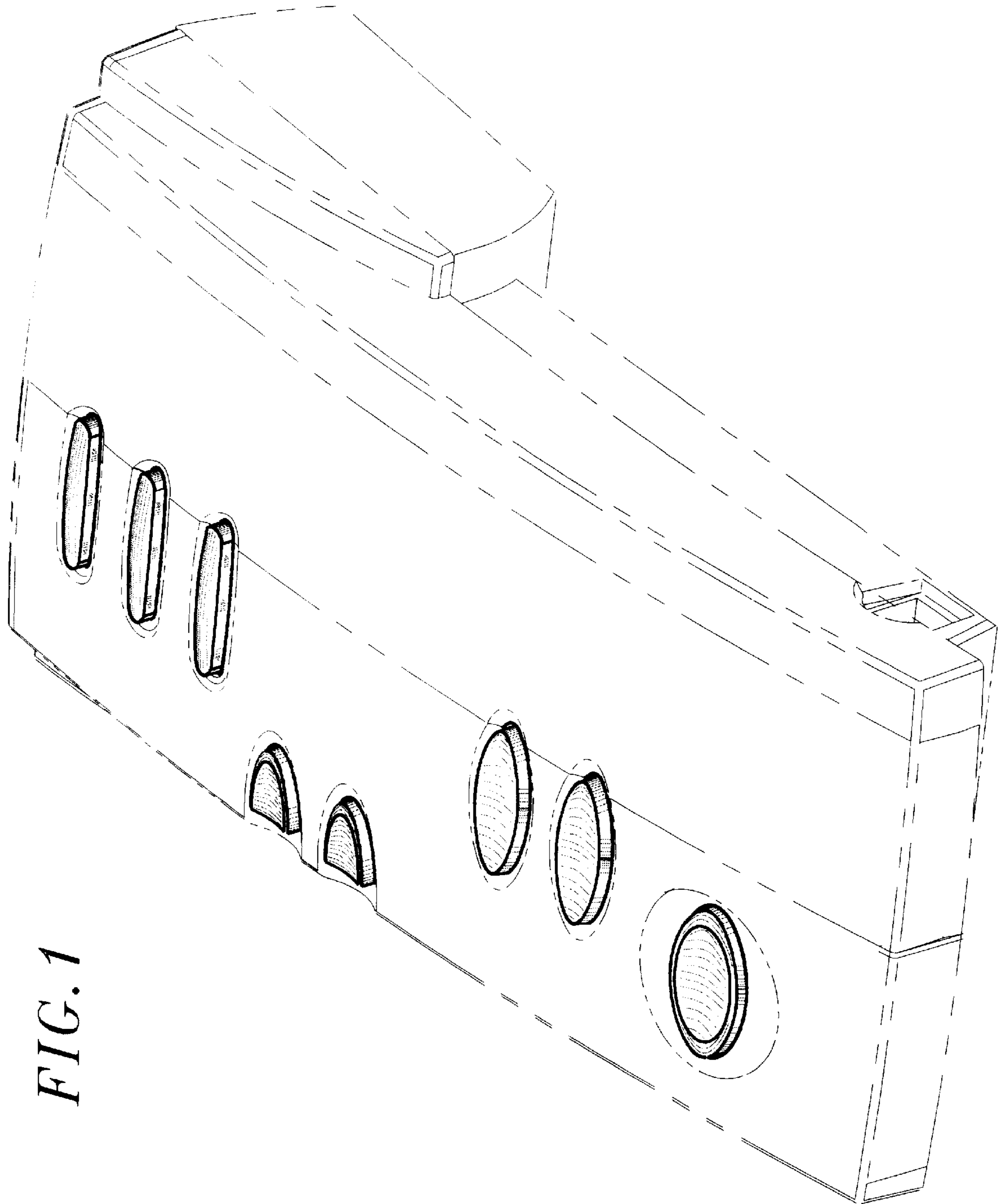


FIG. 1

FIG. 2

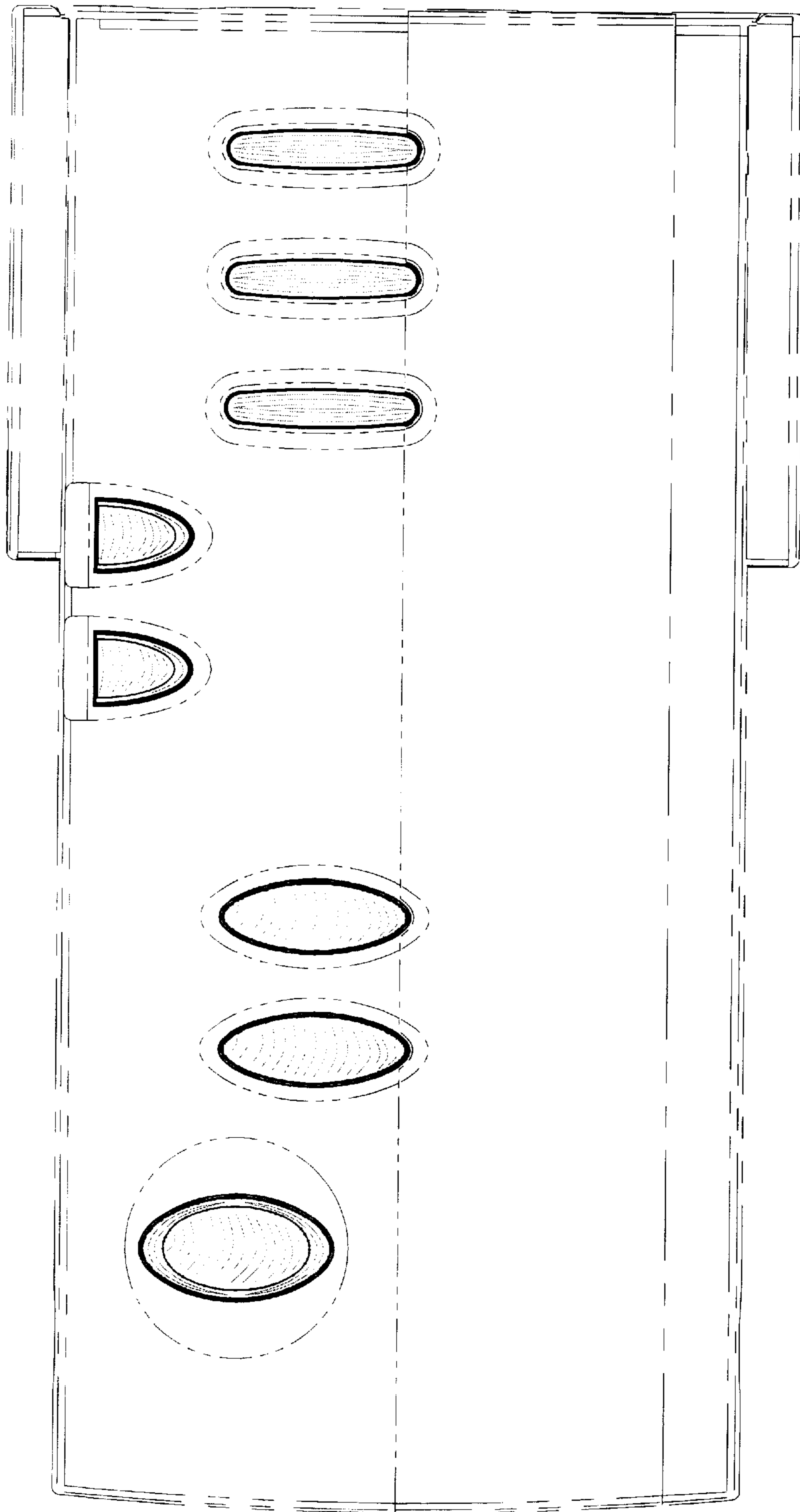


FIG. 3

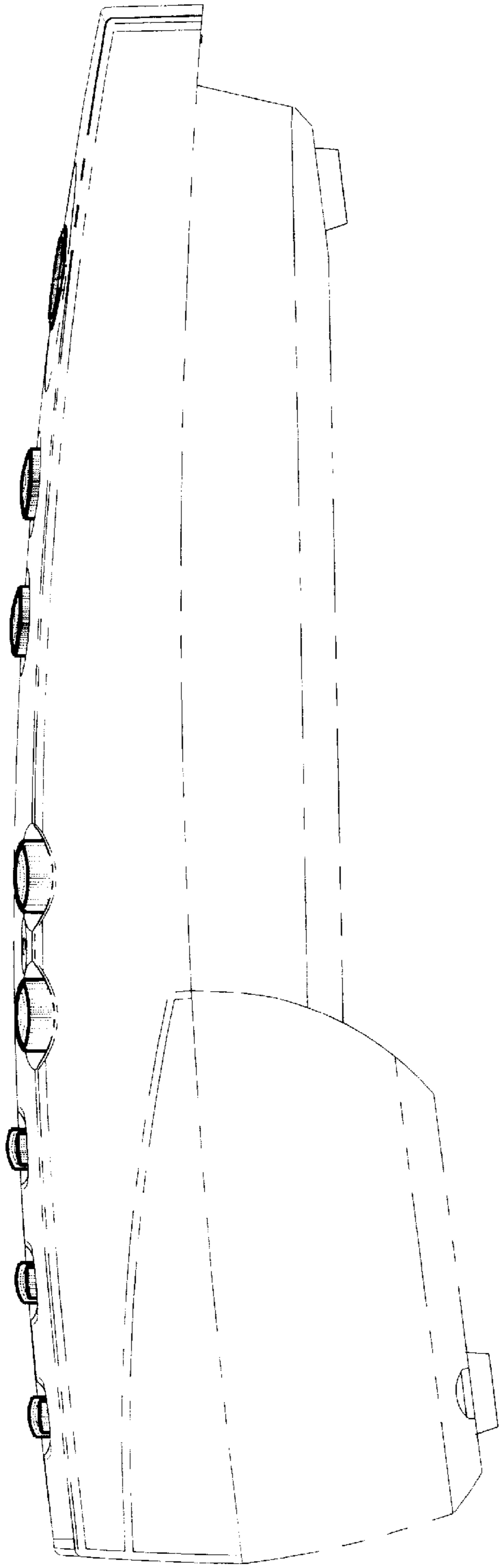


FIG. 4

