



US00D418143S

**United States Patent** [19]  
**Thaw**

[11] **Patent Number: Des. 418,143**

[45] **Date of Patent: \*\* Dec. 28, 1999**

[54] **SATELLITE DISH COVER**

[76] Inventor: **Jeffrey B. Thaw**, P.O. Box 422,  
Cornwall, Ontario, Canada, K6H 5T2

[\*\*] Term: **14 Years**

[21] Appl. No.: **29/096,266**

[22] Filed: **Nov. 9, 1998**

[30] **Foreign Application Priority Data**

Oct. 30, 1998 [CA] Canada ..... 1998-2666

[51] **LOC (6) Cl. .... 14-03**

[52] **U.S. Cl. .... D14/230**

[58] **Field of Search** ..... D14/230-238,  
D14/299; D6/610, 611; 343/340, 372, 882;  
383/72, 74

[56] **References Cited**

**U.S. PATENT DOCUMENTS**

D. 304,454 11/1989 Serres ..... D14/230  
D. 387,356 12/1997 Kelly et al. .... D14/231

D. 402,990 12/1998 Kelly et al. .... D14/230  
4,282,530 8/1981 Semplak ..... 343/872  
5,415,972 5/1995 Franklin ..... 343/840  
5,528,253 6/1996 Franklin ..... 343/840  
5,813,125 9/1998 Kelly et al. .... 343/872

*Primary Examiner*—Louis S. Zarfes  
*Assistant Examiner*—G. Andoll  
*Attorney, Agent, or Firm*—Dimock Stratton Clarizio; Mark  
B. Eisen

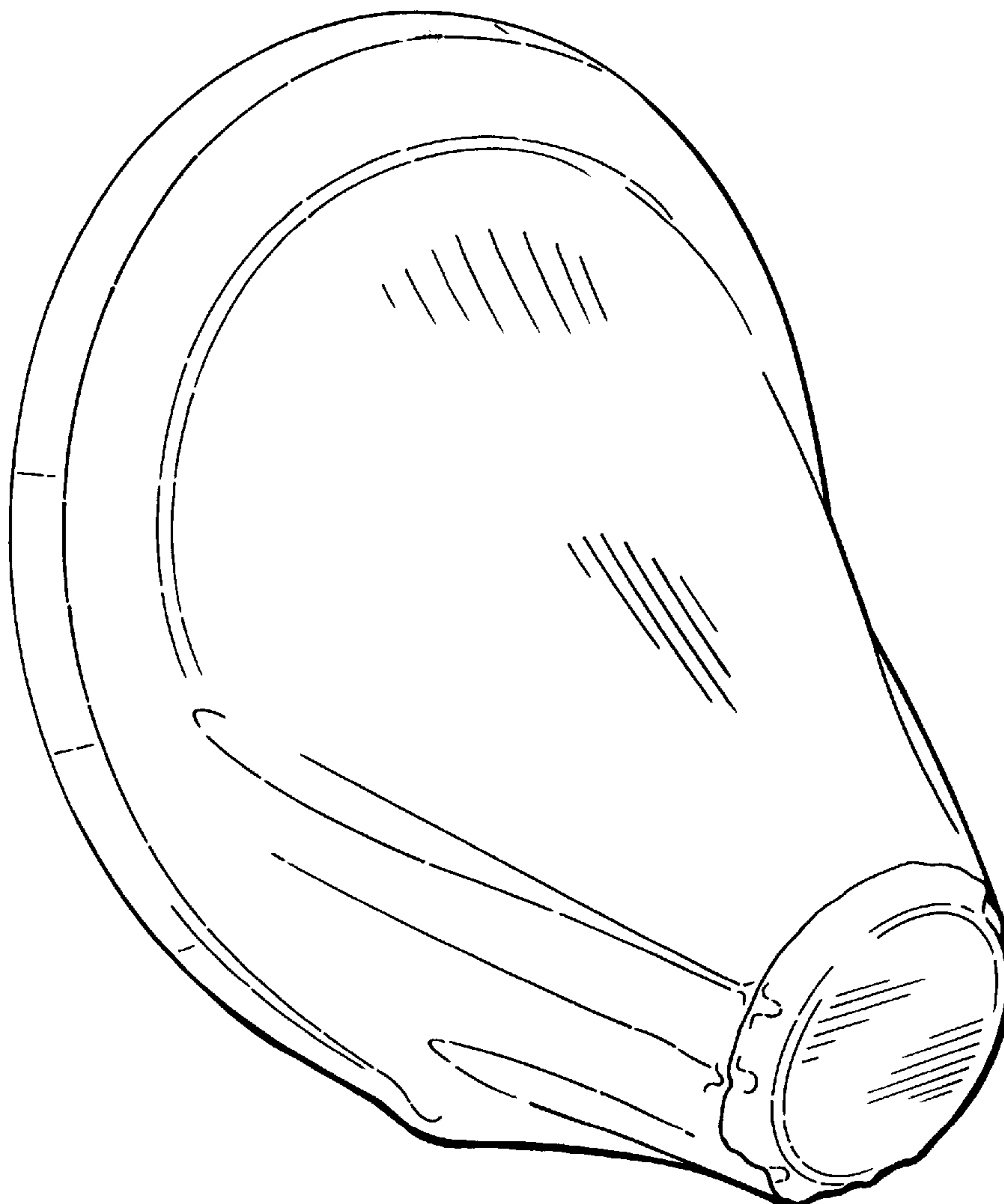
[57] **CLAIM**

The ornamental design for a satellite dish cover, as shown  
and described.

**DESCRIPTION**

FIG. 1 is a perspective view of the satellite dish cover;  
FIG. 2 is a side elevation, the opposite side being a mirror  
image thereof;  
FIG. 3 is a front end elevation;  
FIG. 4 is a rear end elevation;  
FIG. 5 is a top plan view; and,  
FIG. 6 is a bottom plan view.

**1 Claim, 3 Drawing Sheets**



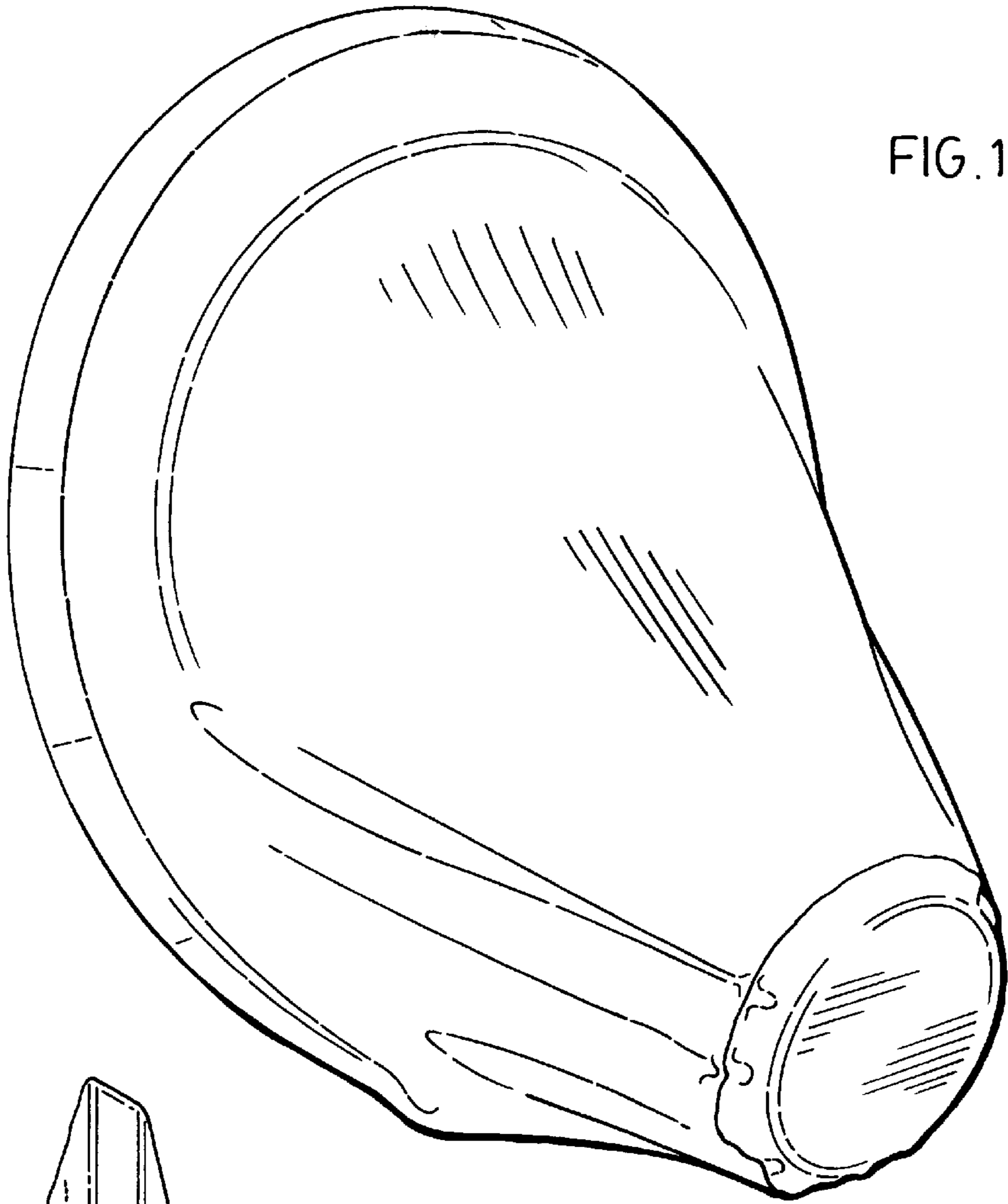


FIG. 1.

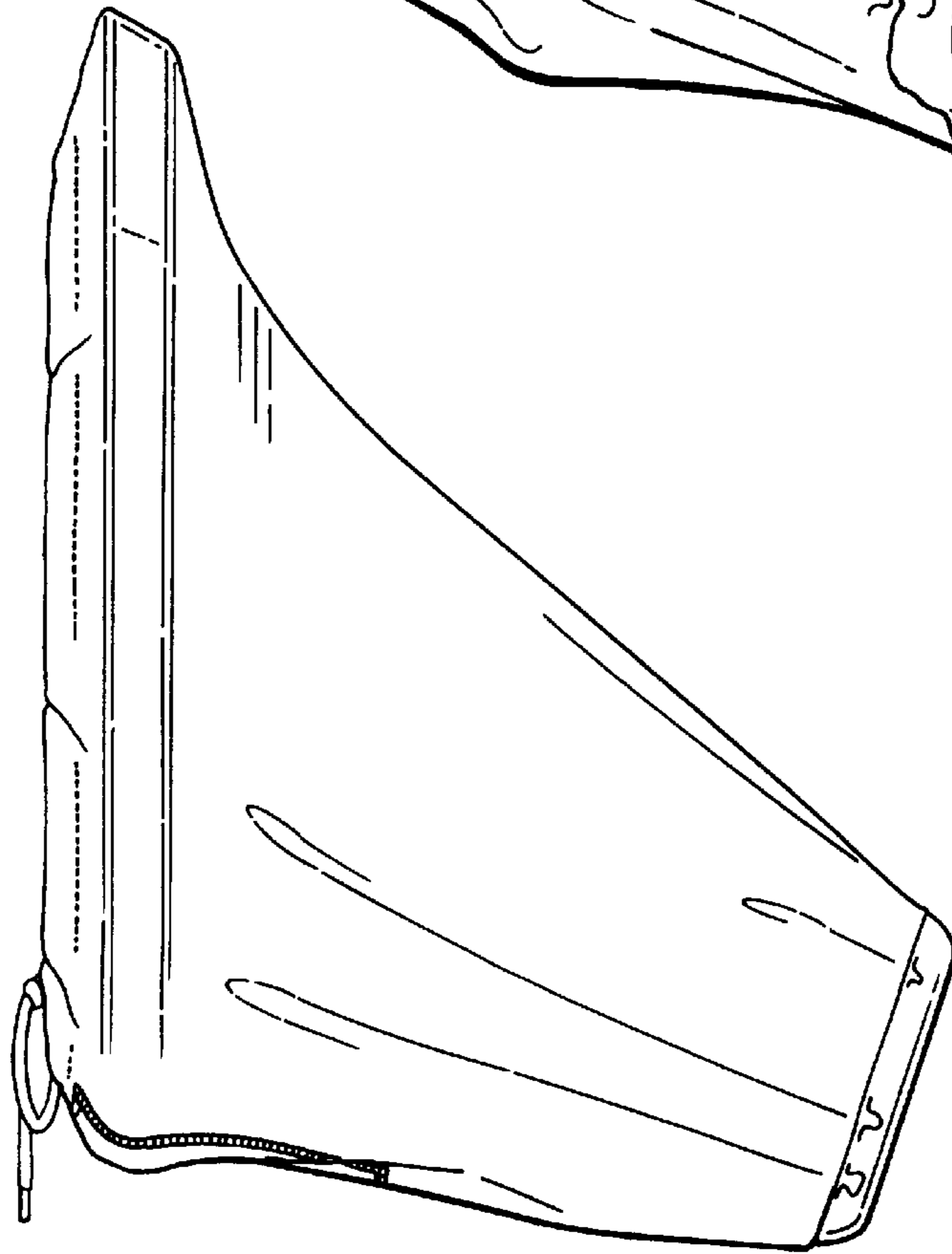


FIG. 2.

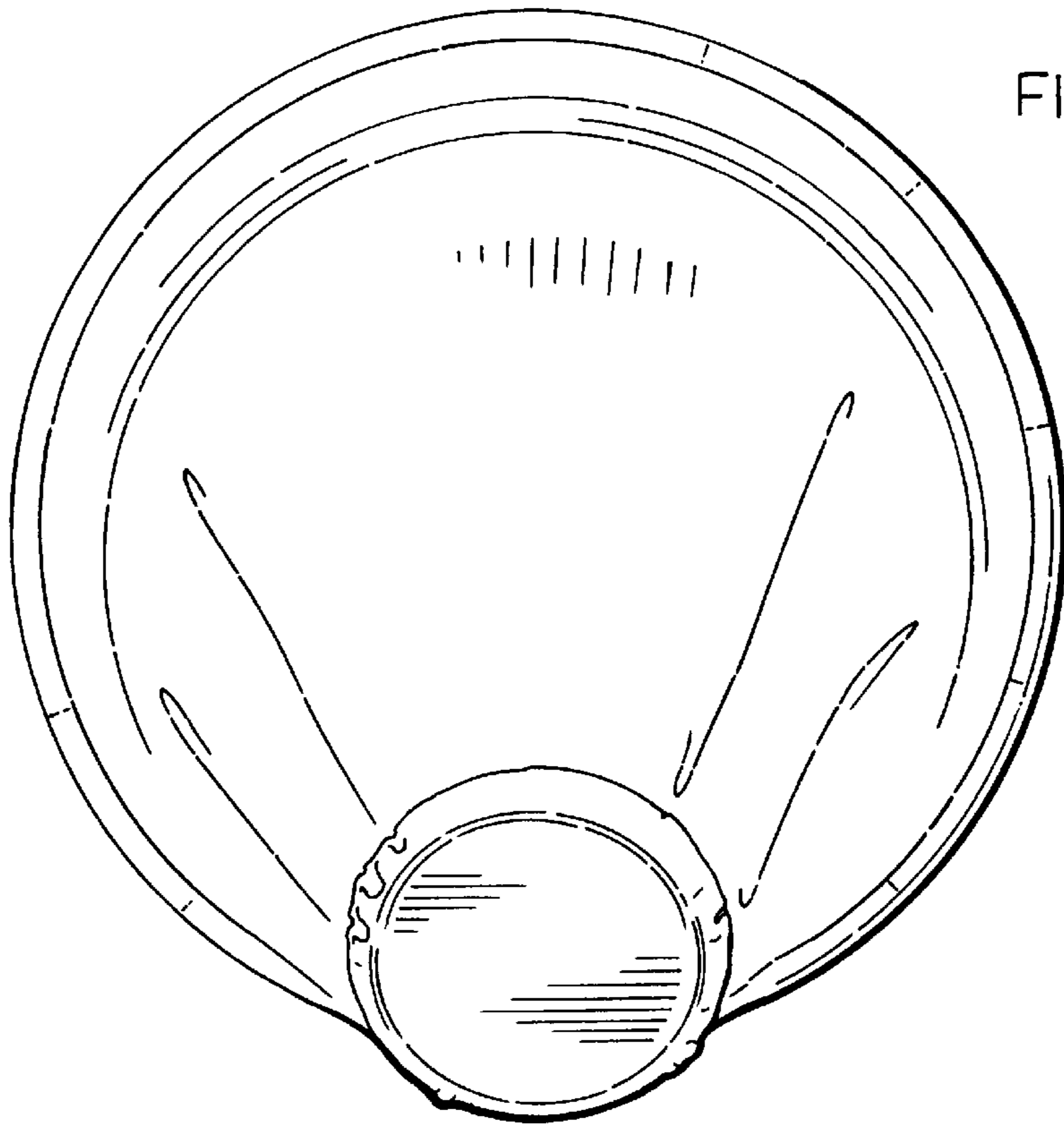


FIG. 3.

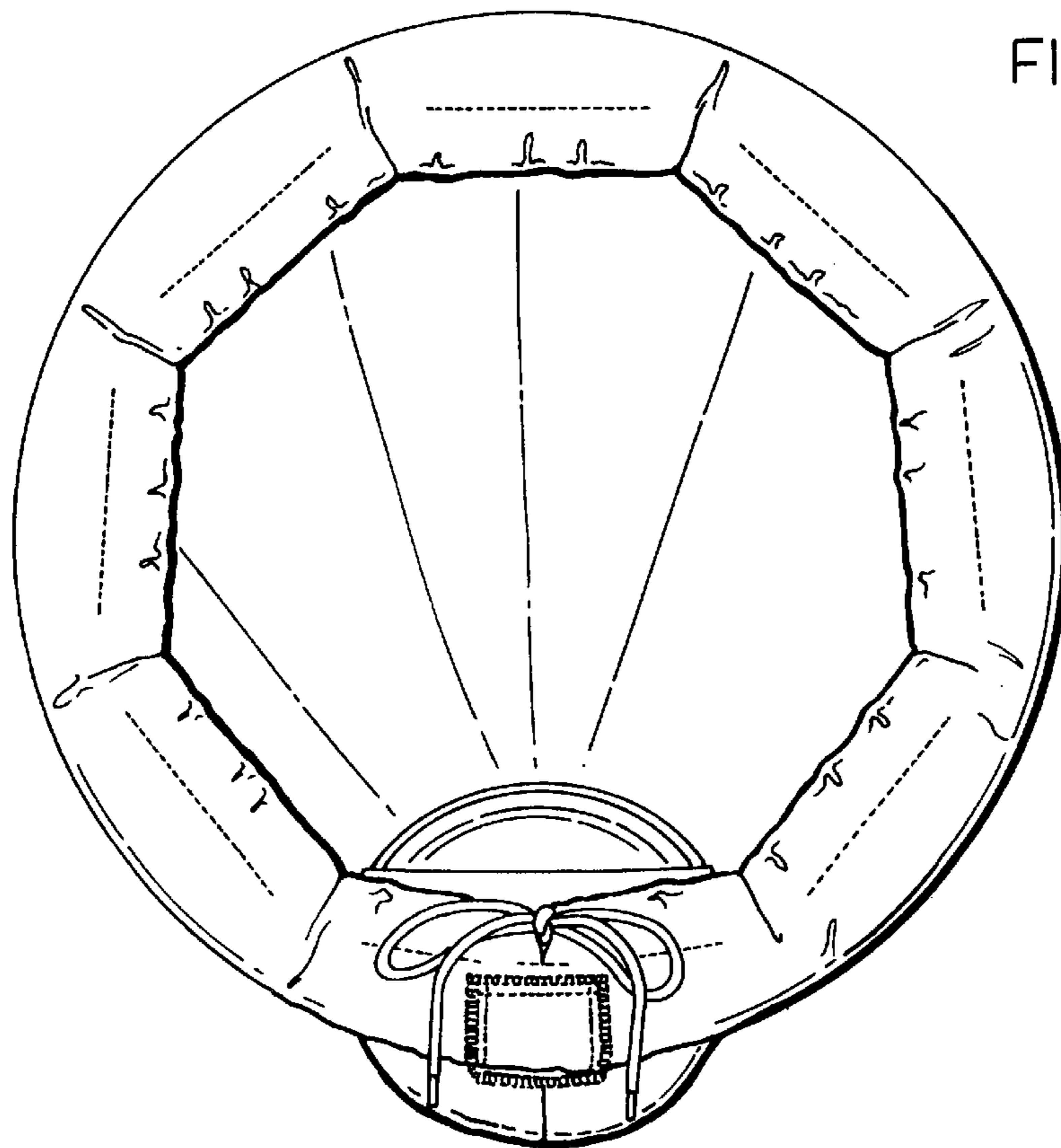


FIG. 4.

FIG. 5.

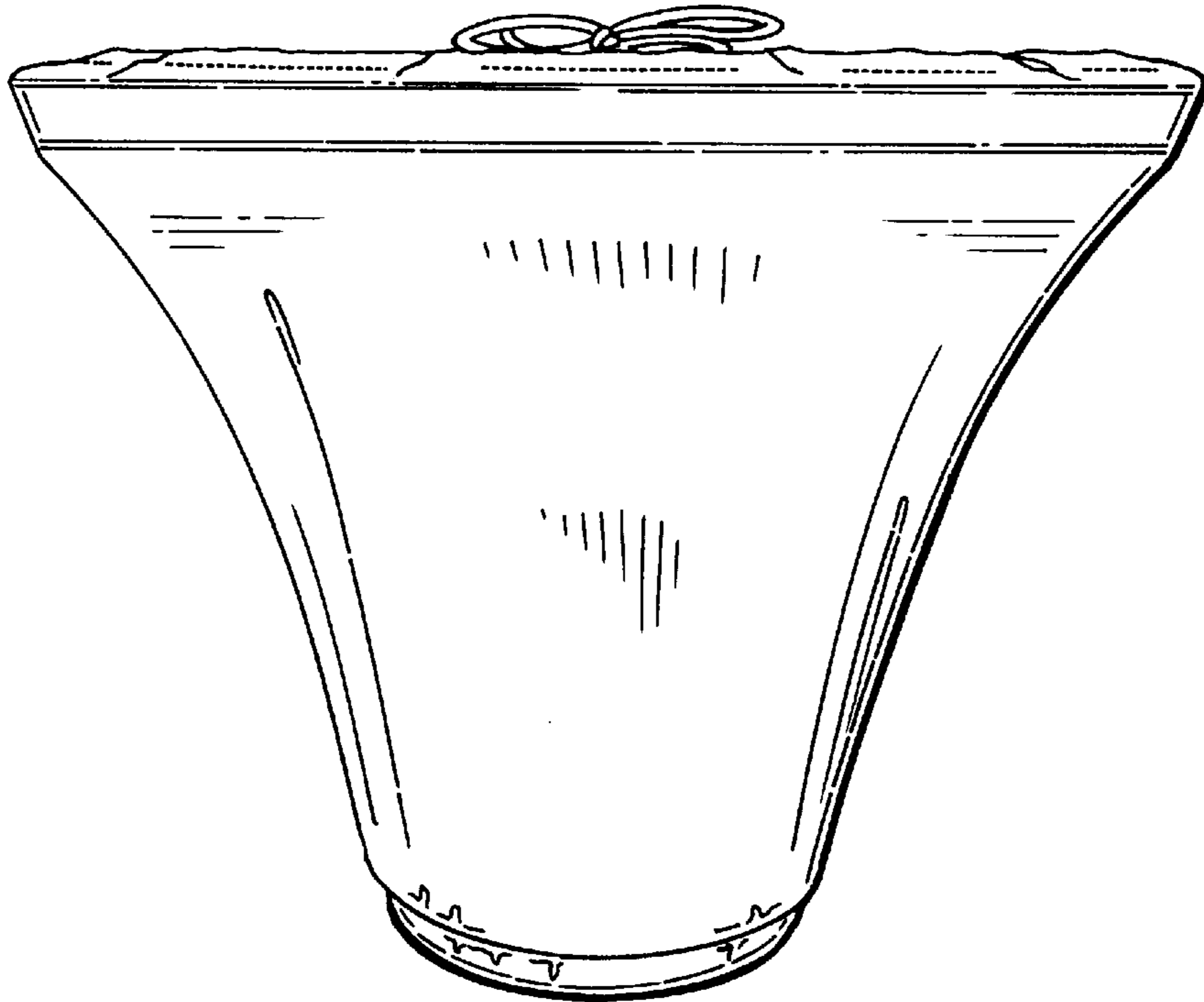


FIG. 6.

