



US00D418135S

# United States Patent [19] Cheng

[11] **Patent Number: Des. 418,135**

[45] **Date of Patent: \*\* Dec. 28, 1999**

[54] **CLOCK RADIO**

[75] **Inventor: Alvin Cheng**, Central, The Hong Kong Special Administrative Region of the People's Republic of China

[73] **Assignee: Hopestar Electronics Limited**, Central, The Hong Kong Special Administrative Region of the People's Republic of China

[\*\*] **Term: 14 Years**

[21] **Appl. No.: 29/103,554**

[22] **Filed: Apr. 16, 1999**

[51] **LOC (6) Cl. .... 14-01**

[52] **U.S. Cl. .... D14/170**

[58] **Field of Search** ..... D10/1, 2, 15; D14/168, D14/170-171, 188-189, 193-198; 455/344, 350, 351

D. 280,402 9/1985 Brown ..... D10/2 X  
D. 294,569 3/1988 Geraets ..... D14/188  
D. 328,298 7/1992 Chan ..... D14/189  
D. 342,735 12/1993 Chan ..... D14/171

*Primary Examiner*—Nanda Bondade  
*Attorney, Agent, or Firm*—Salter & Michaelson

## [57] **CLAIM**

The ornamental design for a clock radio, as shown.

## **DESCRIPTION**

FIG. 1 is a front elevational view of a clock radio showing my new design;

FIG. 2 is a rear elevational view thereof;

FIG. 3 is a left side elevational view thereof;

FIG. 4 is a right side elevational view thereof;

FIG. 5 is a top plan view thereof;

FIG. 6 is a bottom plan view thereof; and,

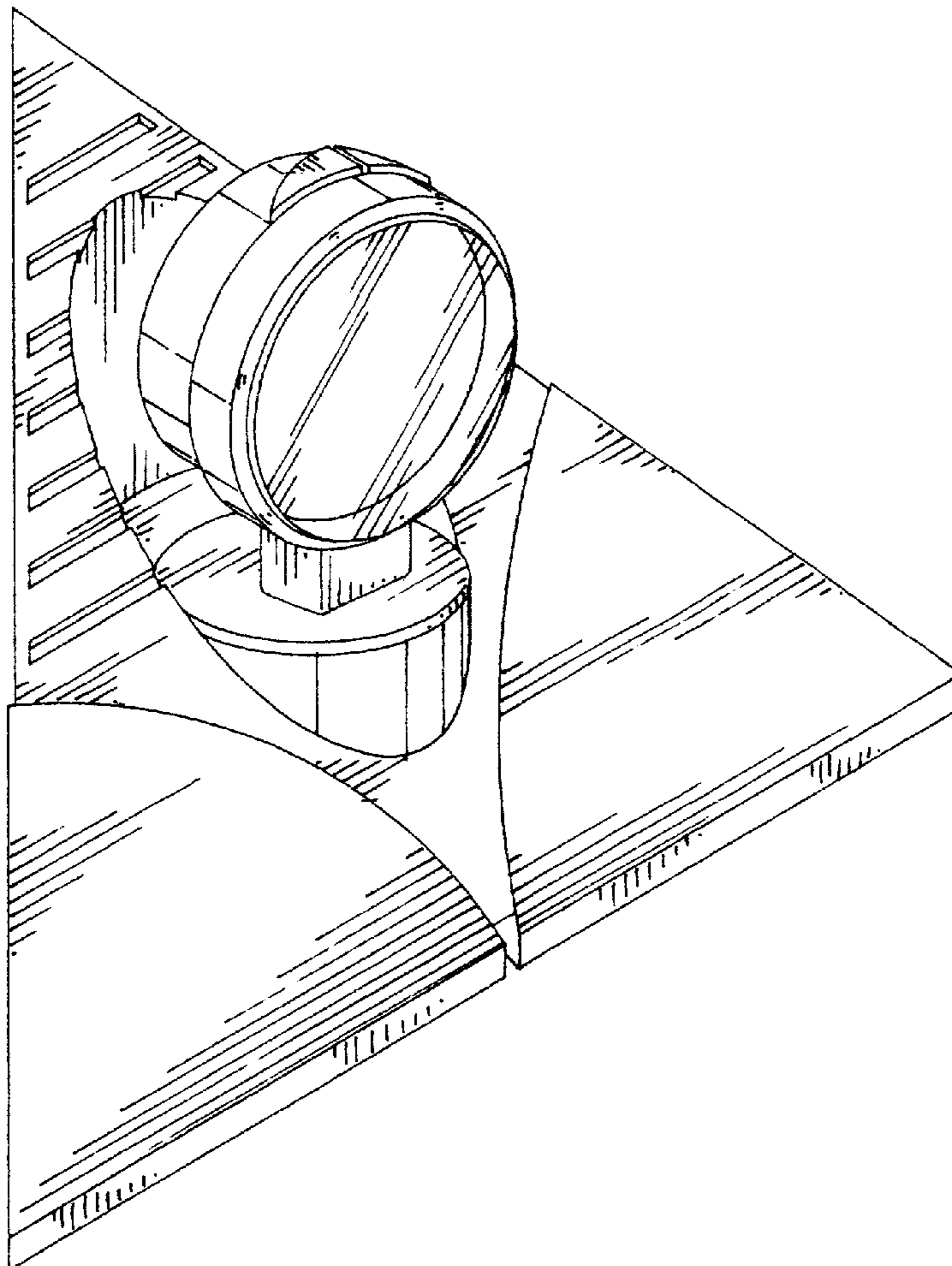
FIG. 7 is a perspective view thereof.

## [56] **References Cited**

### U.S. PATENT DOCUMENTS

D. 249,650 9/1978 Schoenfeld ..... D10/15 X

**1 Claim, 4 Drawing Sheets**



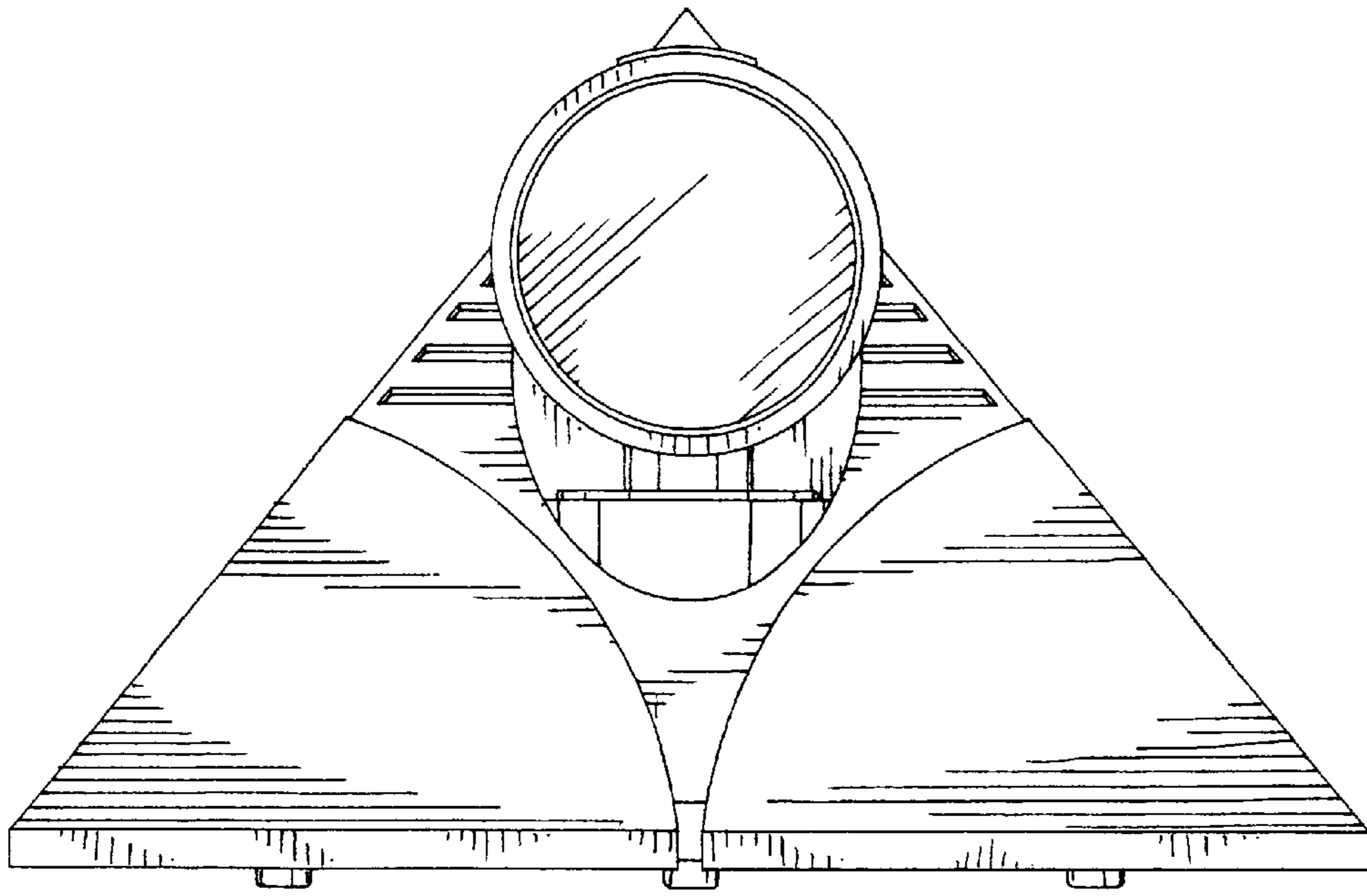


FIG. 1

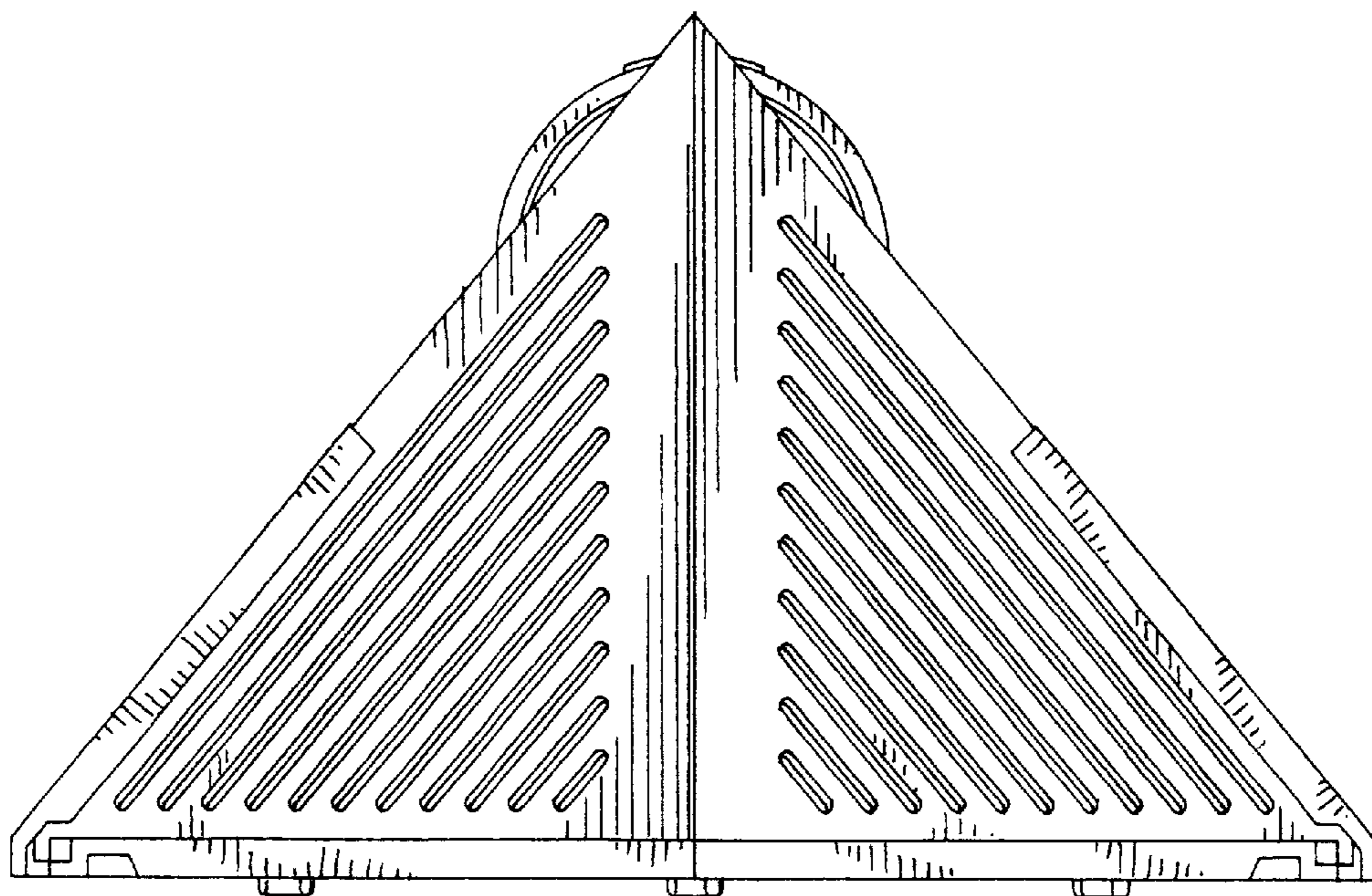


FIG. 2

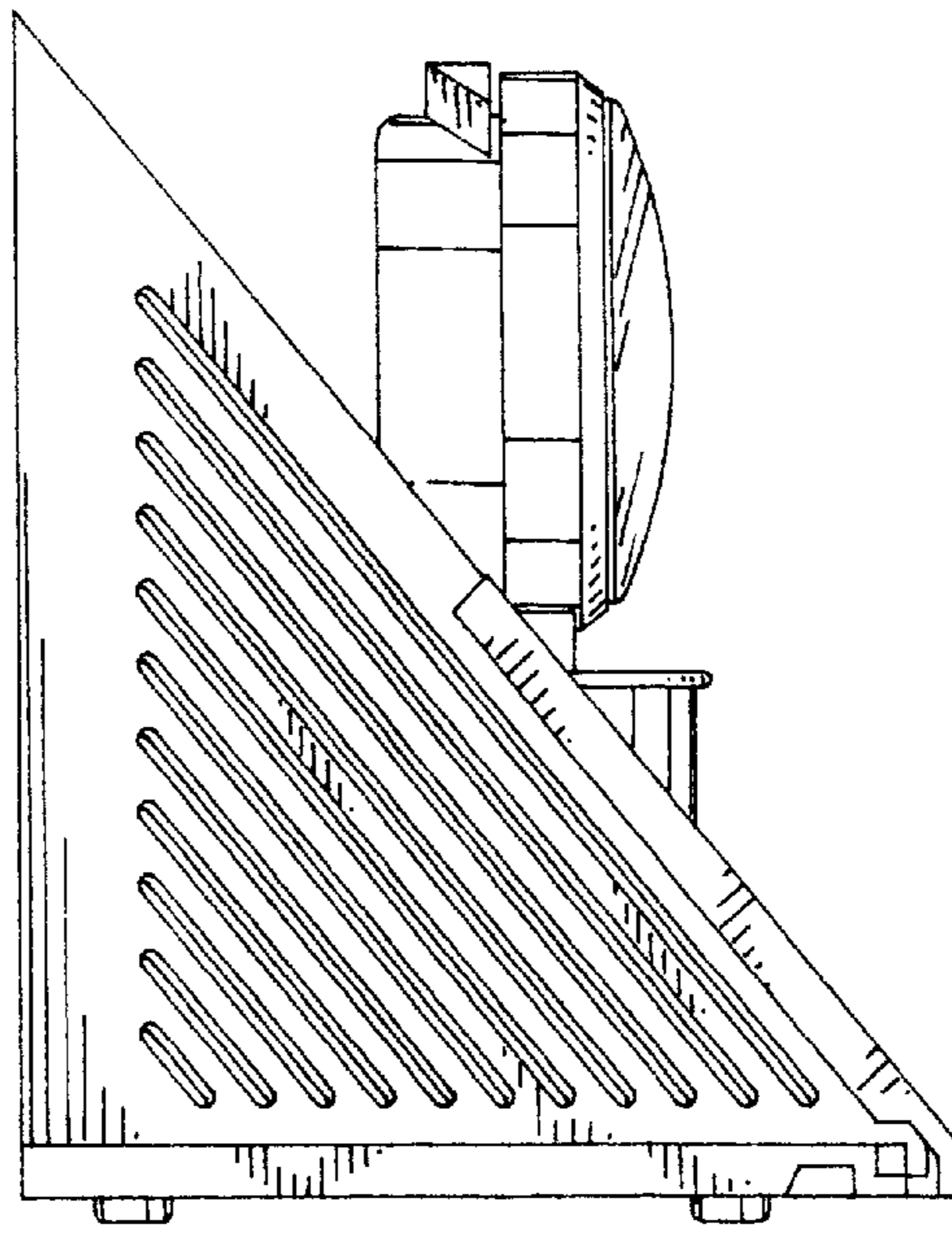


FIG. 3

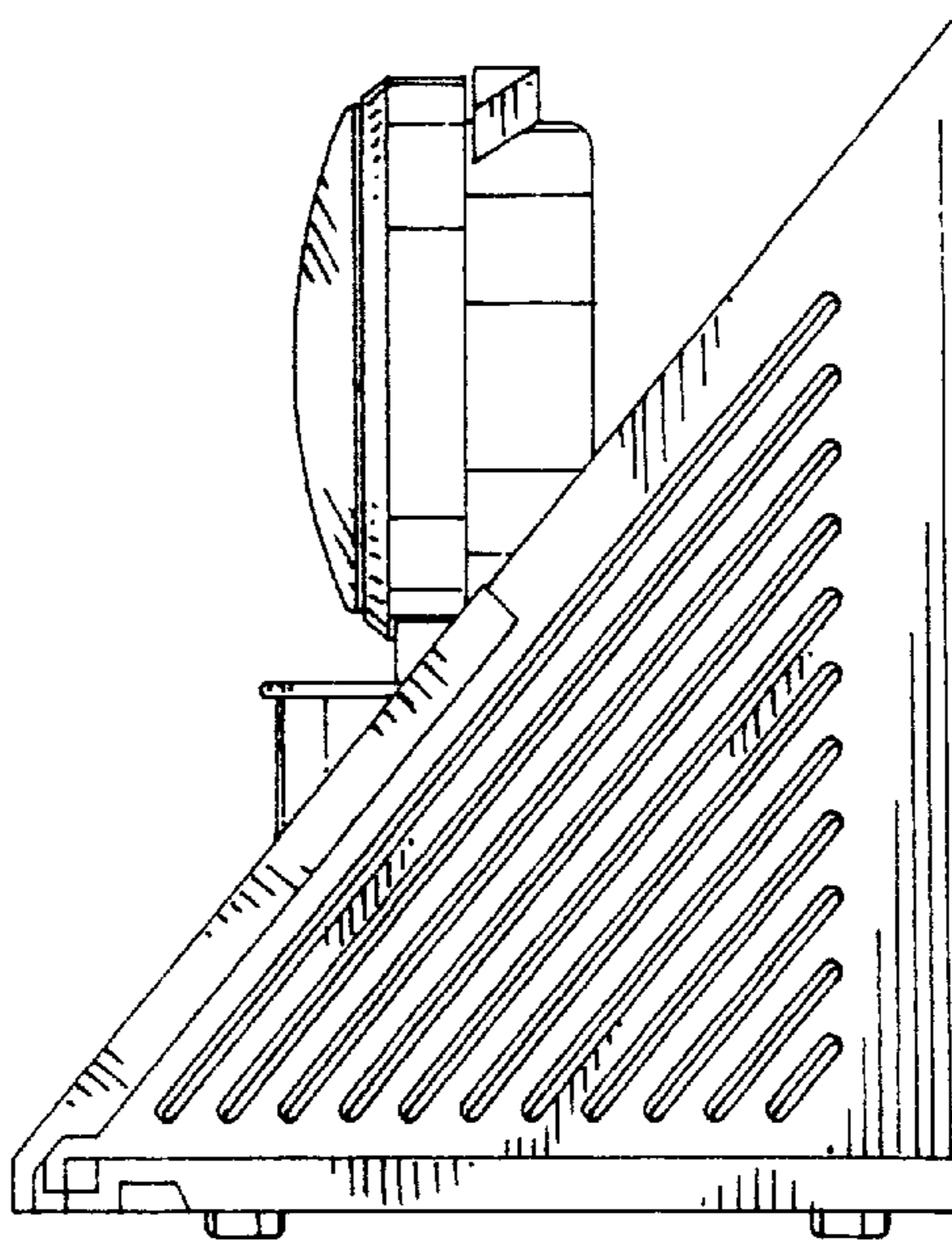


FIG. 4

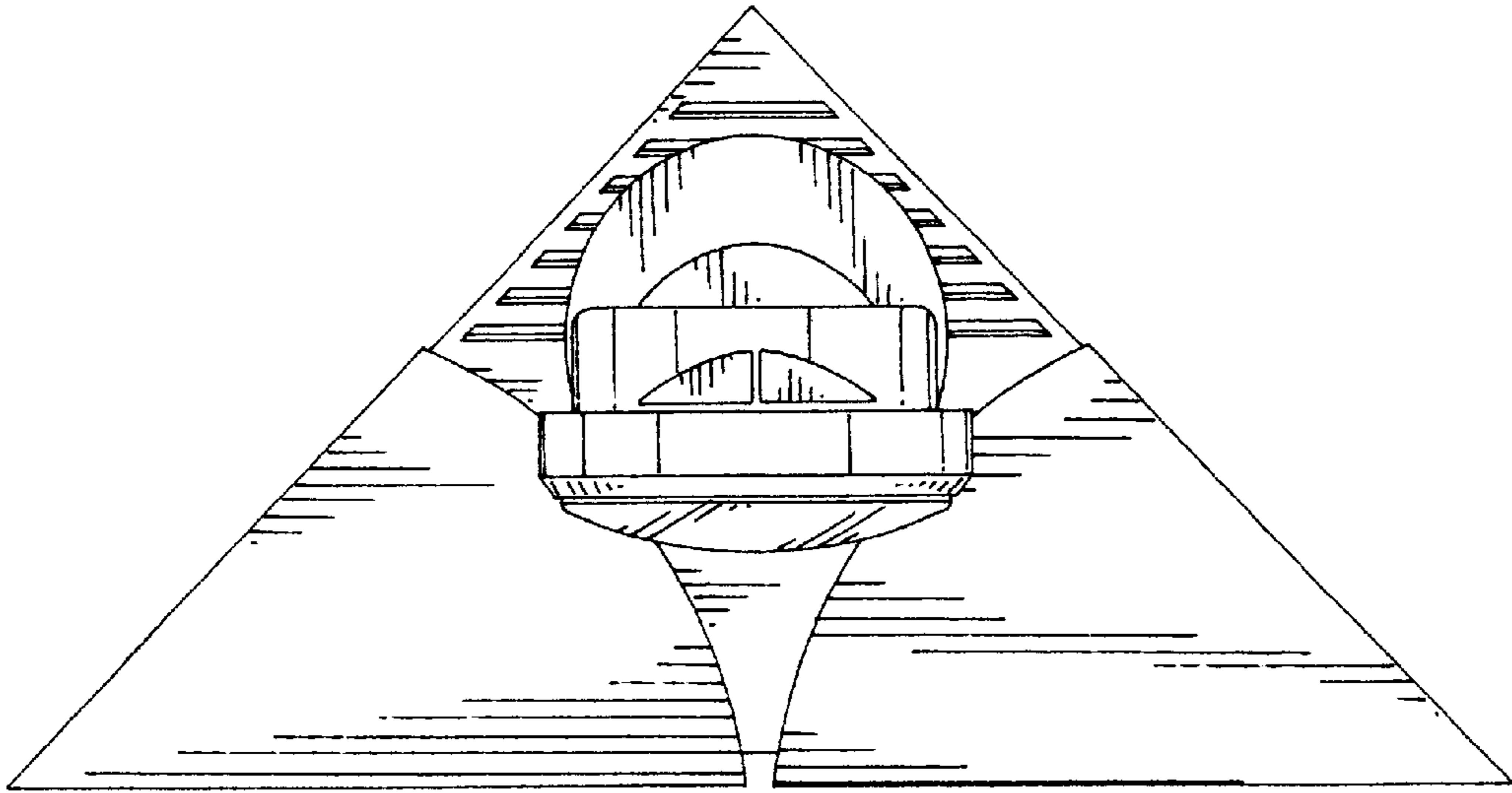


FIG. 5

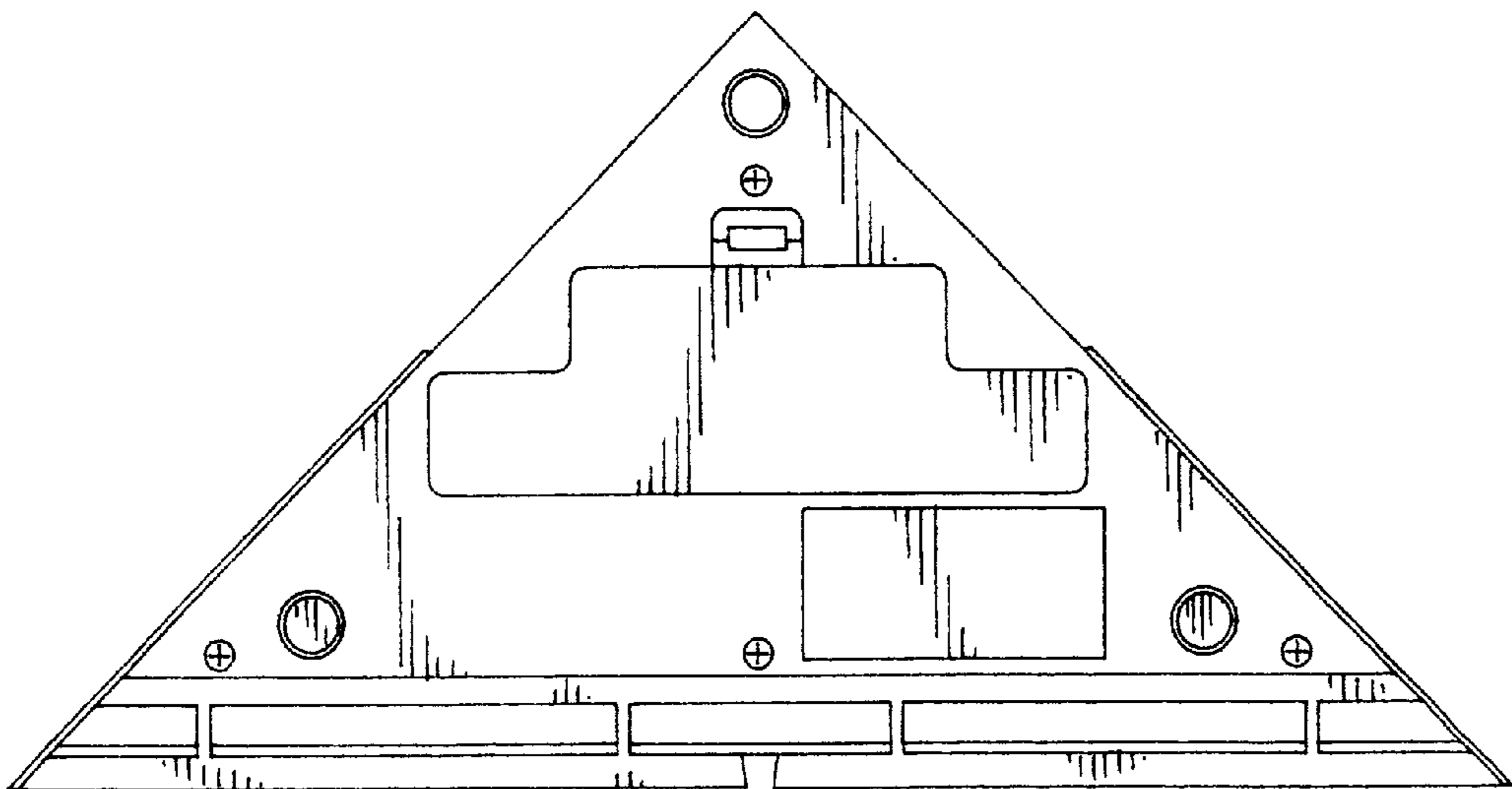


FIG. 6

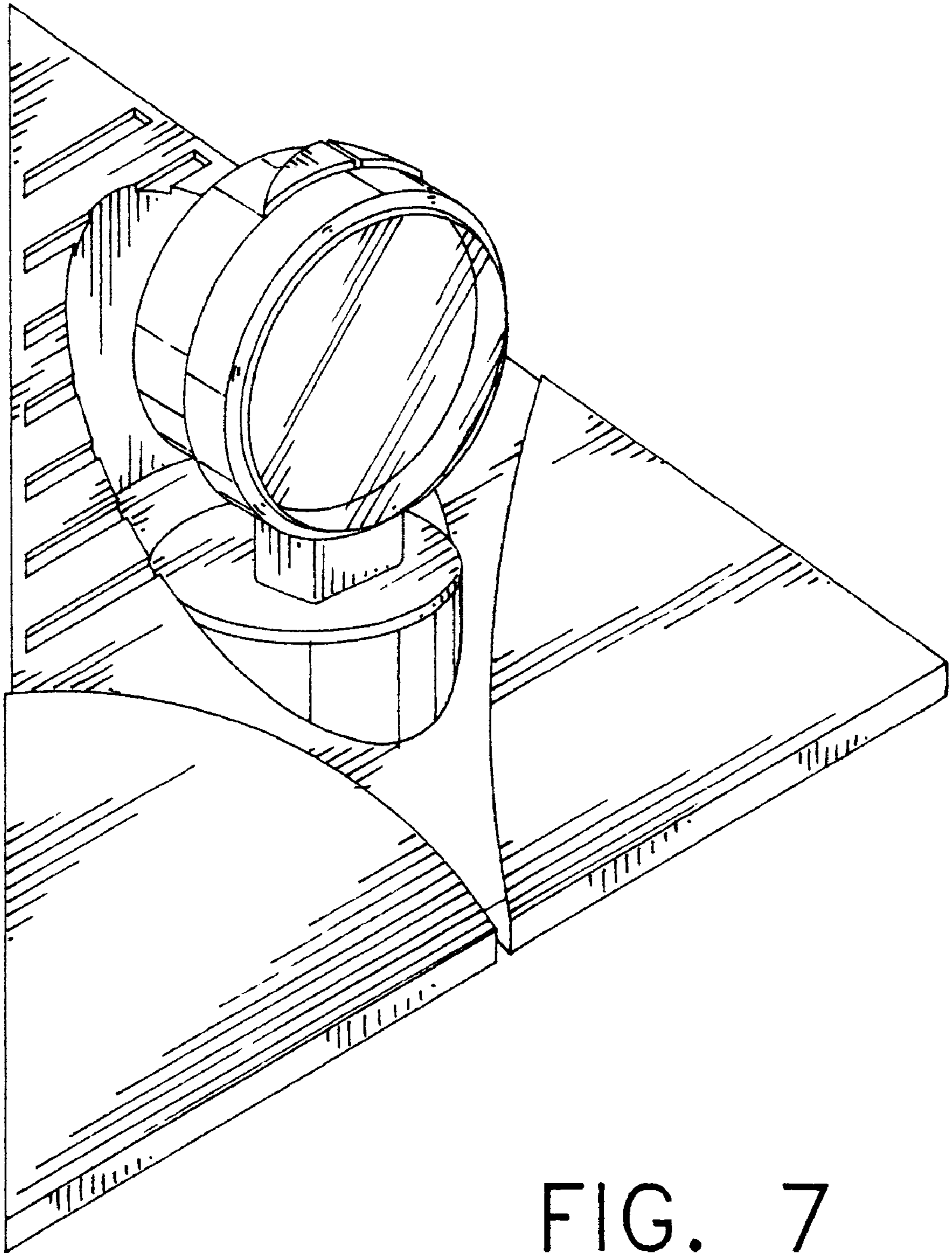


FIG. 7