



US00D418133S

**United States Patent** [19]  
**Tanaka**

[11] **Patent Number: Des. 418,133**  
[45] **Date of Patent: \*\* Dec. 28, 1999**

[54] **ELECTRONIC PLAYBACK DEVICE**

[75] Inventor: **Soichi Tanaka**, Tokyo, Japan

[73] Assignee: **Sony Corporation**, Tokyo, Japan

[\*\*] Term: **14 Years**

[21] Appl. No.: **29/083,283**

[22] Filed: **Feb. 9, 1998**

[30] **Foreign Application Priority Data**

Aug. 8, 1997	[JP]	Japan	.....	9-64432
Aug. 8, 1997	[JP]	Japan	.....	9-64433
Aug. 8, 1997	[JP]	Japan	.....	9-64434

[51] **LOC (6) Cl.** ..... **14-01**

[52] **U.S. Cl.** ..... **D14/160; D14/156; D14/164**

[58] **Field of Search** ..... **D14/135-136,**  
**D14/156-157, 160-165, 167-168, 188,**  
**257-260; 369/75.1, 77.1, 77.2**

[56] **References Cited**

**U.S. PATENT DOCUMENTS**

D. 340,716	10/1993	Ito et al.	.....	D14/156
D. 345,561	3/1994	Ito et al.	.....	D14/162
D. 357,015	4/1995	Ikenaga	.....	D14/156
4,561,085	12/1985	Funabashi	.....	D14/156 X
5,301,178	4/1994	Okabe et al.	.....	369/77.1

**OTHER PUBLICATIONS**

Catalog "87", pp. 127 & 128, Sony (Nov. 1997).

*Primary Examiner*—Nanda Bondade  
*Attorney, Agent, or Firm*—Foley & Lardner

[57] **CLAIM**

The ornamental design for a electronic playback device, as shown and described.

**DESCRIPTION**

FIG. 1 is a perspective view of a first embodiment of a electronic playback device as embodied in a disc player;

FIG. 2 is a top plan view thereof;

FIG. 3 is a left side elevational view thereof, a right side elevational view thereof being a mirror image, thereof;

FIG. 4 is a front elevational view thereof;

FIG. 5 is a bottom plan view thereof; and

FIG. 6 is a rear elevational view thereof;

FIG. 7 is a perspective view of a second embodiment of a electronic playback device as embodied in a tape player;

FIG. 8 is a top plan view thereof; and

FIG. 9 is a front elevational view thereof, the rest of the views thereof is the same as those of the first embodiment;

FIG. 10 is a perspective view of a third embodiment of a electronic playback device as embodied in a disc player;

FIG. 11 is a top plan view thereof;

FIG. 12 is a left side elevational view thereof, a right side elevational view thereof being the mirror image, thereof;

FIG. 13 is a front elevational view thereof;

FIG. 14 is a bottom plan view thereof; and,

FIG. 15 is a rear elevational view thereof.

**1 Claim, 8 Drawing Sheets**

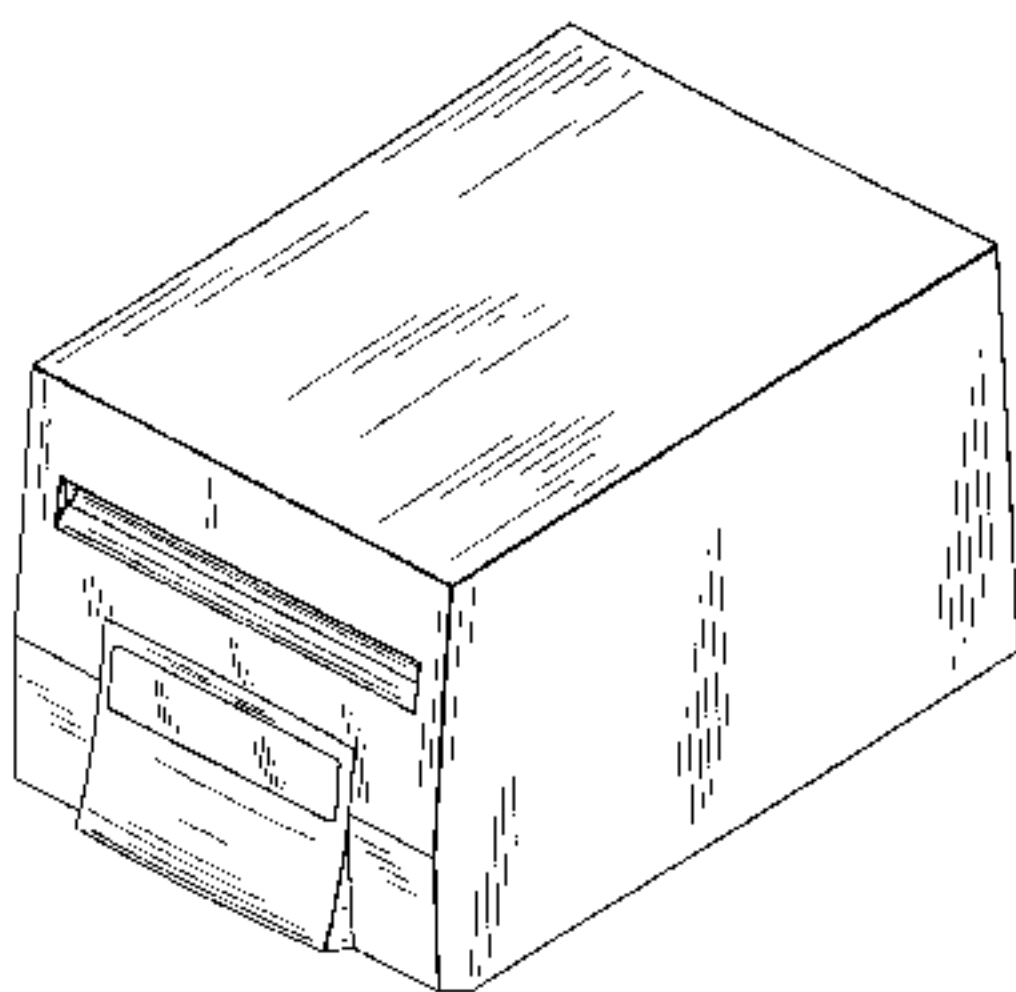
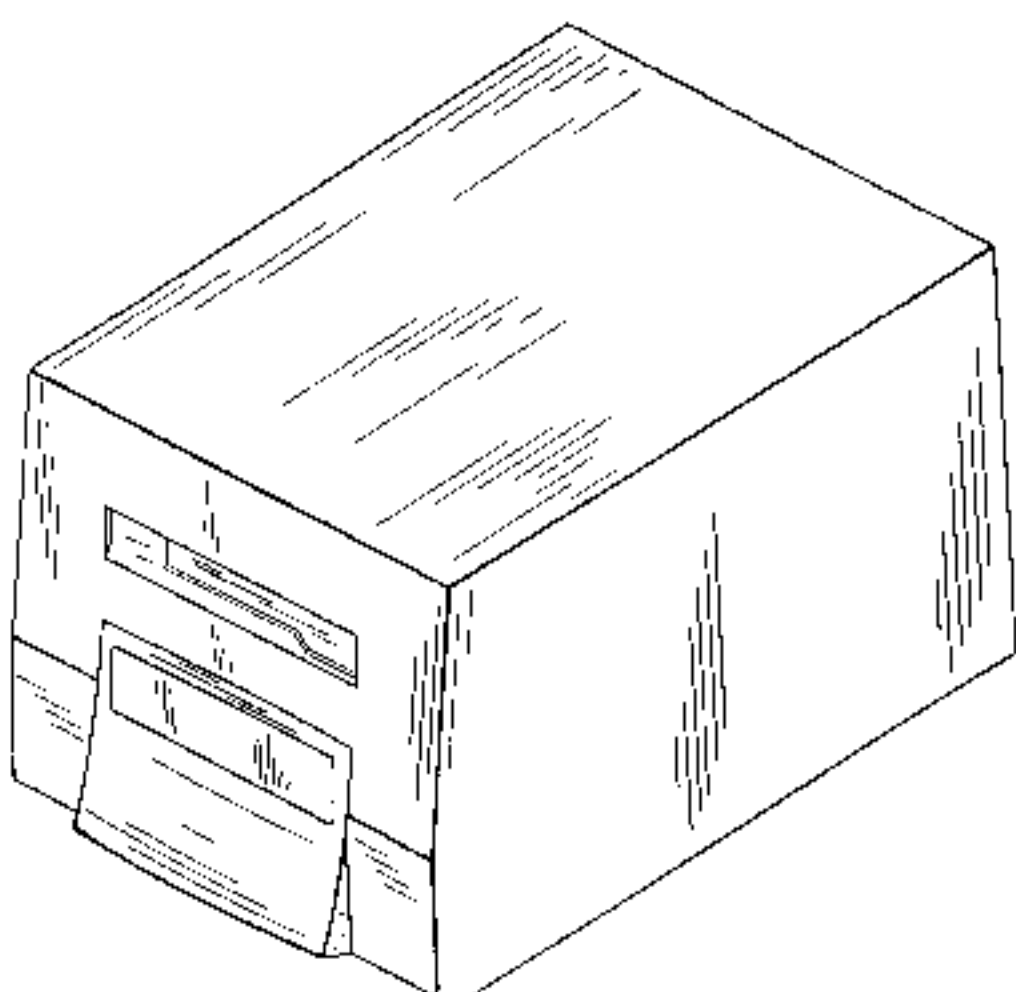
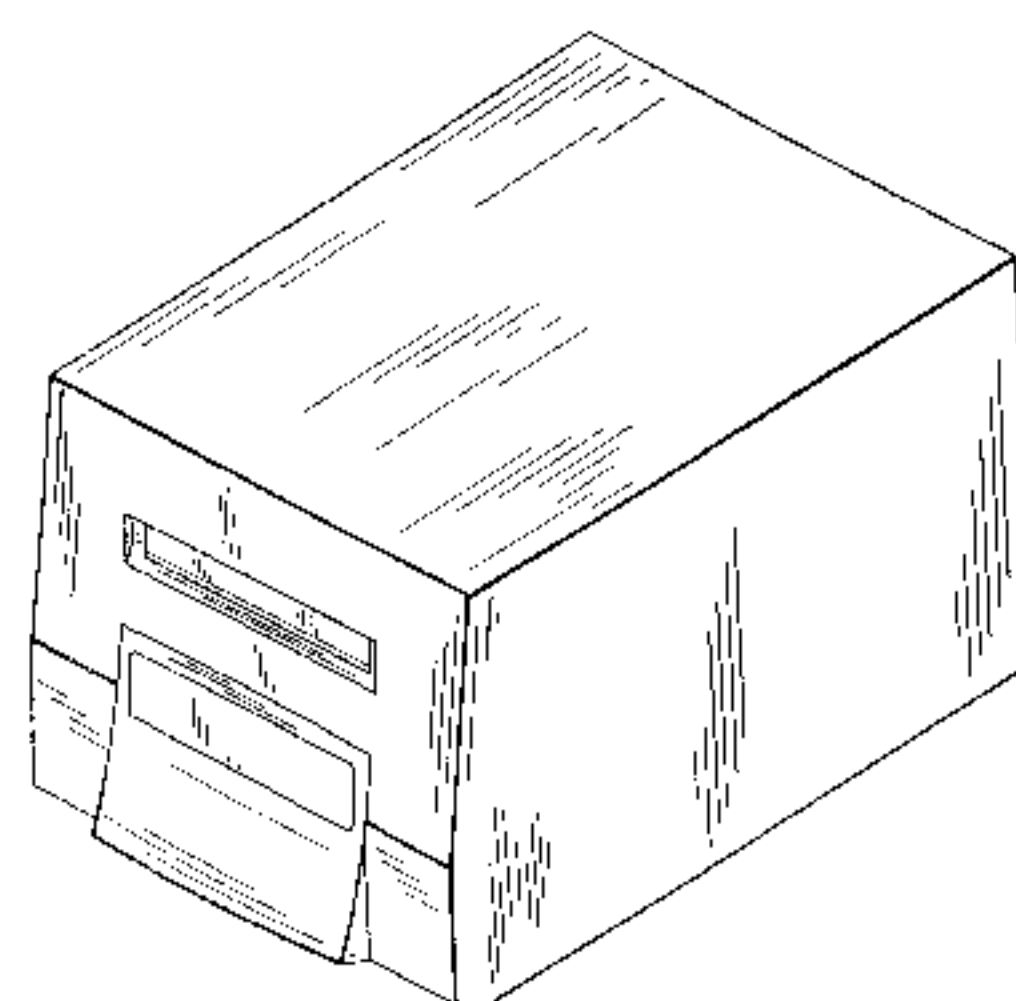


FIG. 1

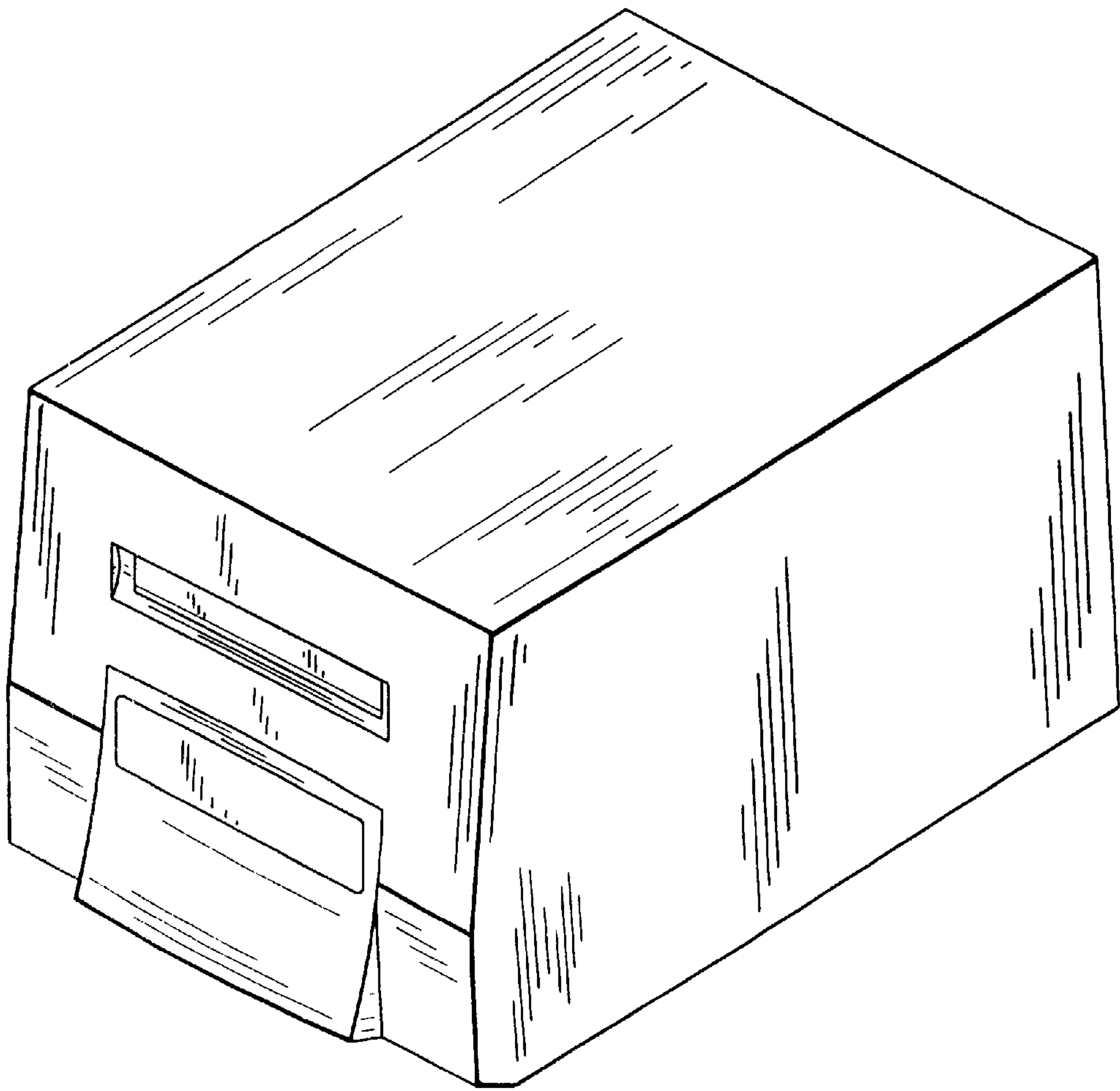


FIG. 2

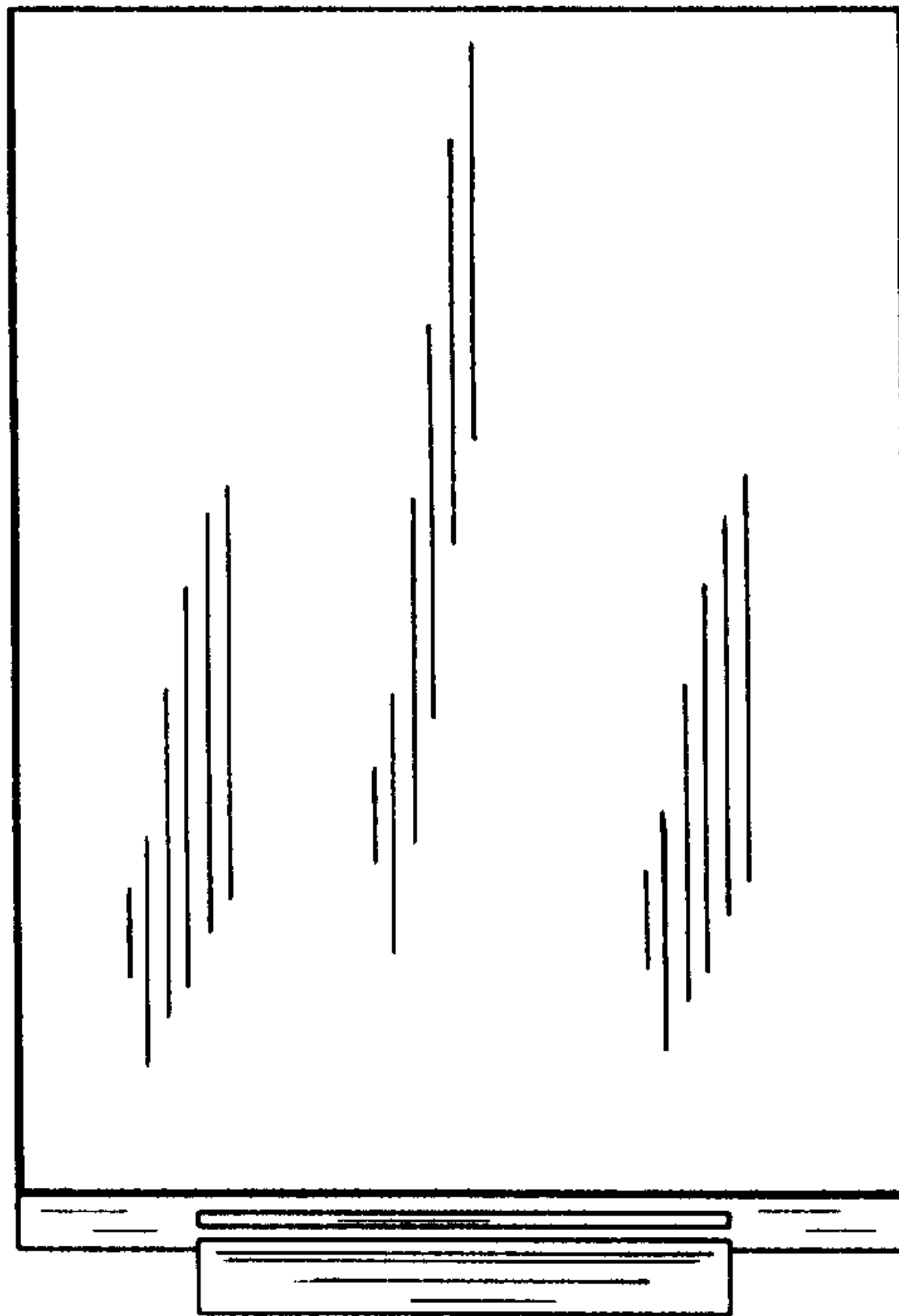


FIG. 5

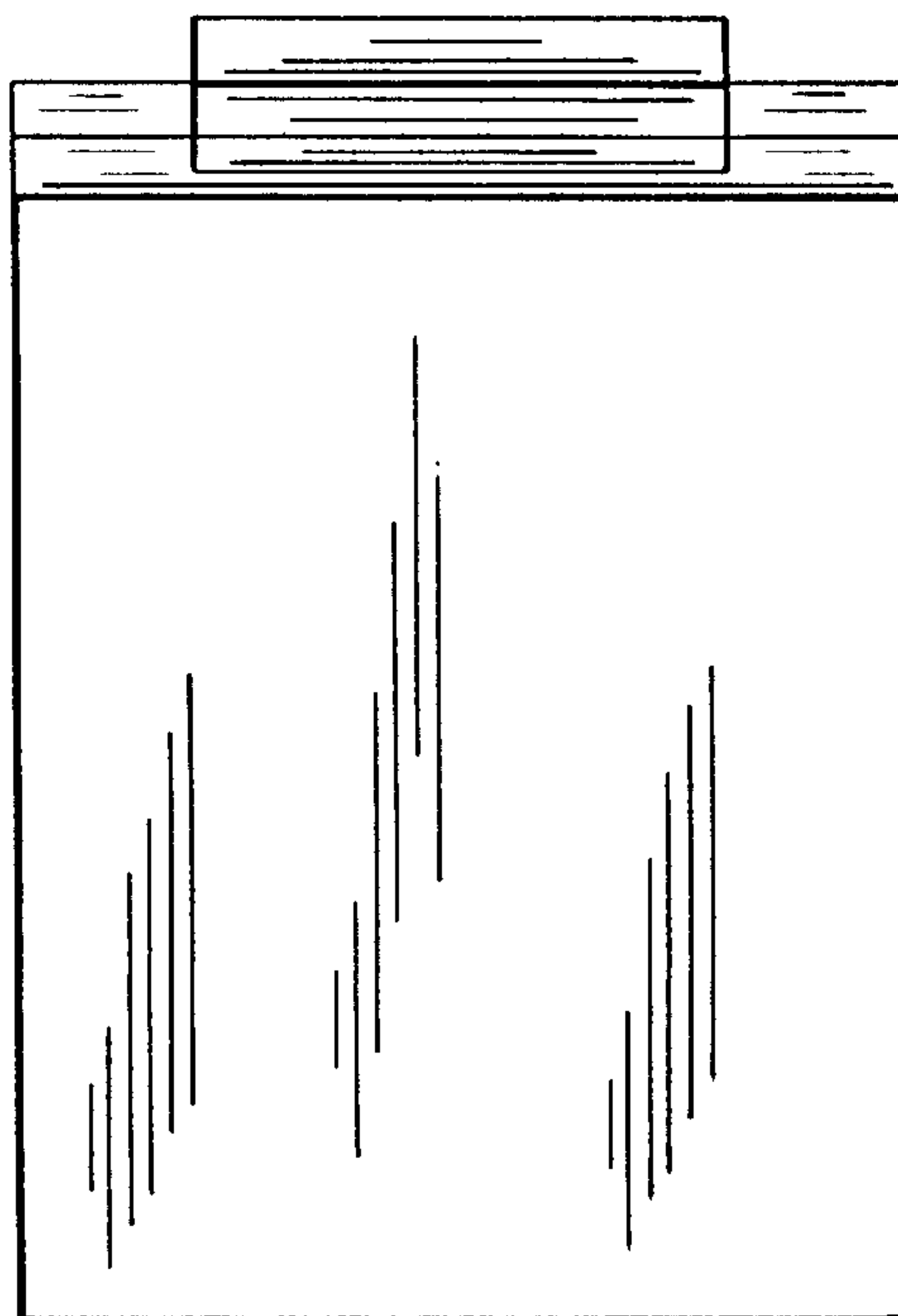


FIG. 3

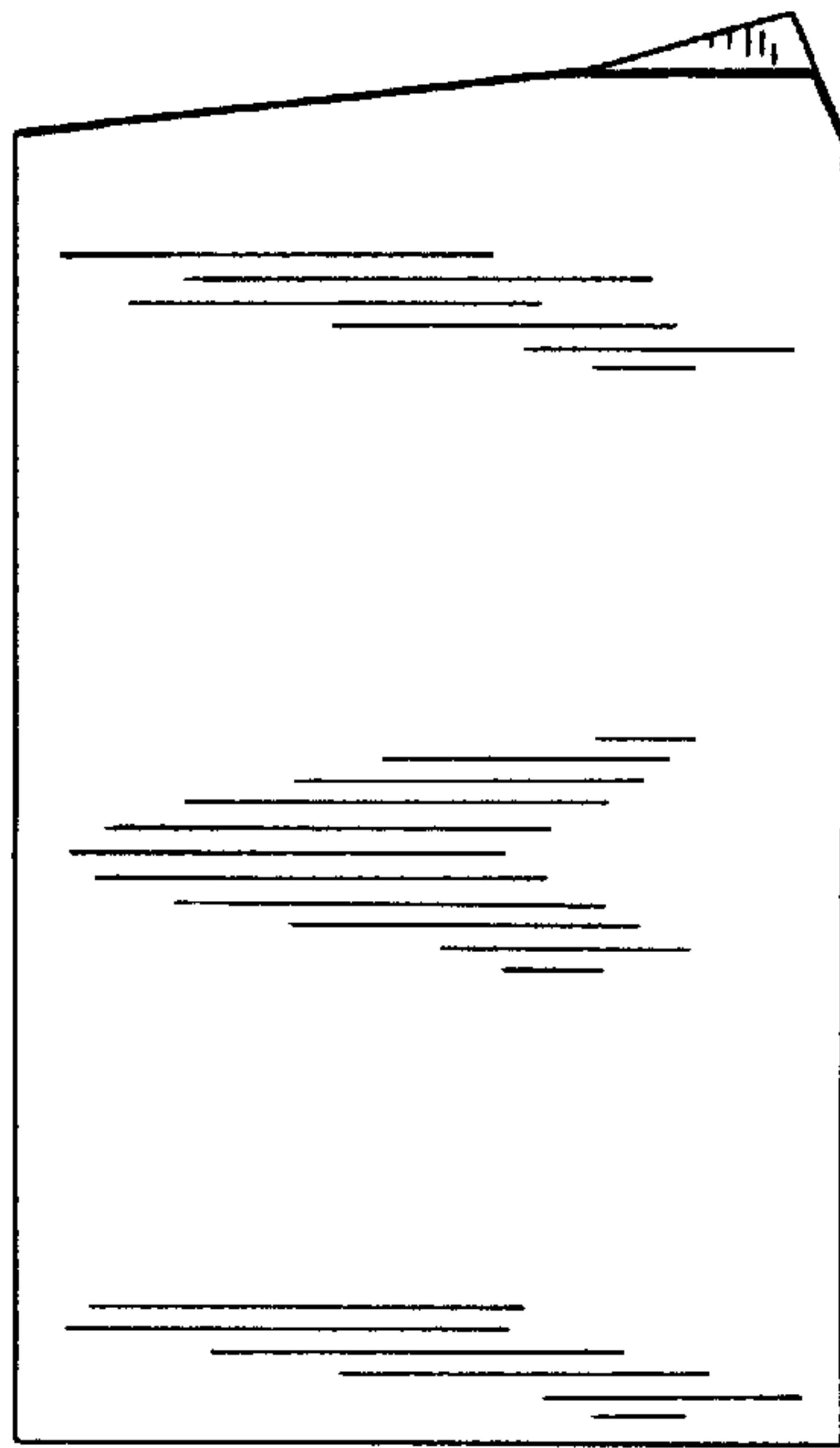


FIG. 4

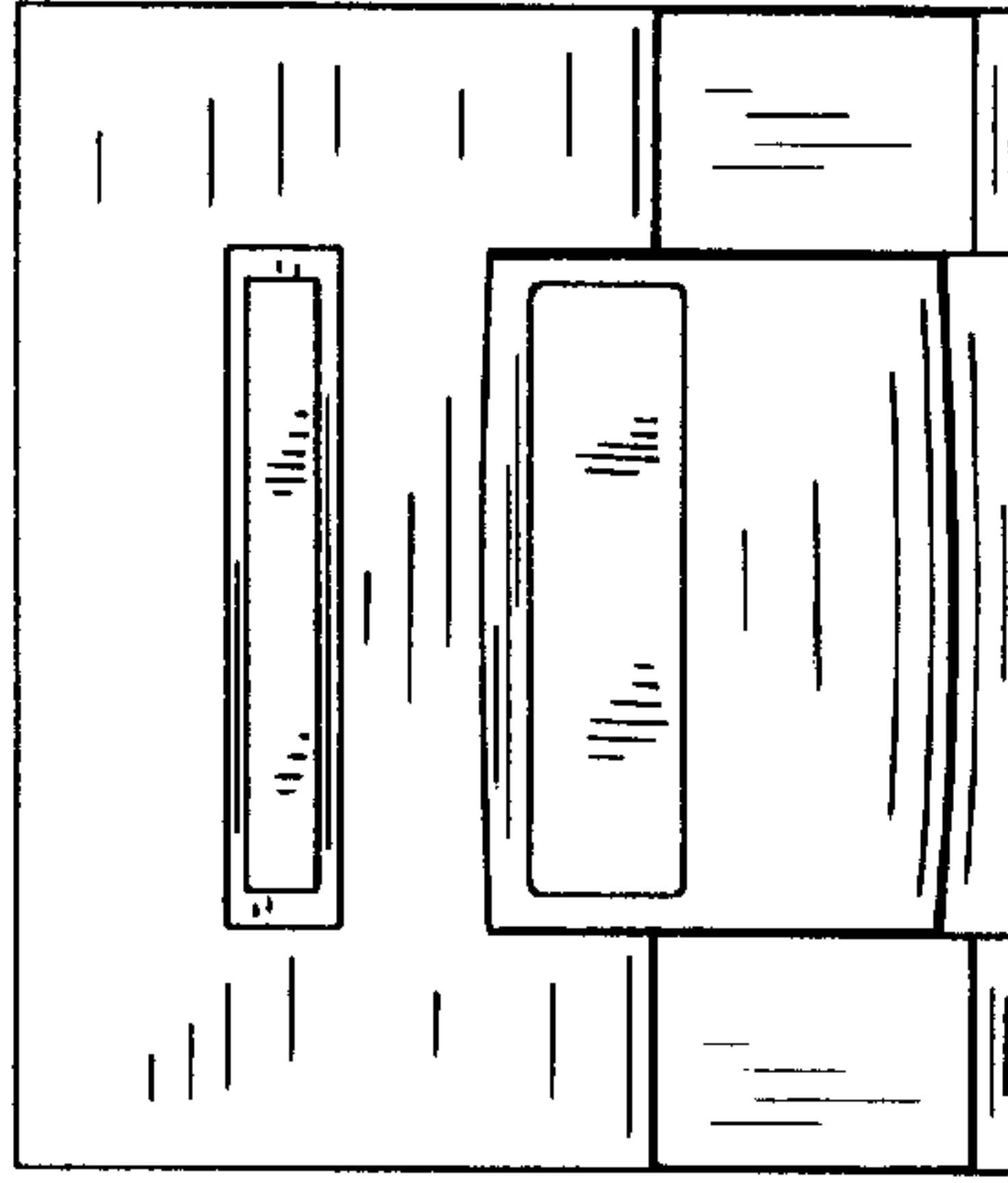


FIG. 6

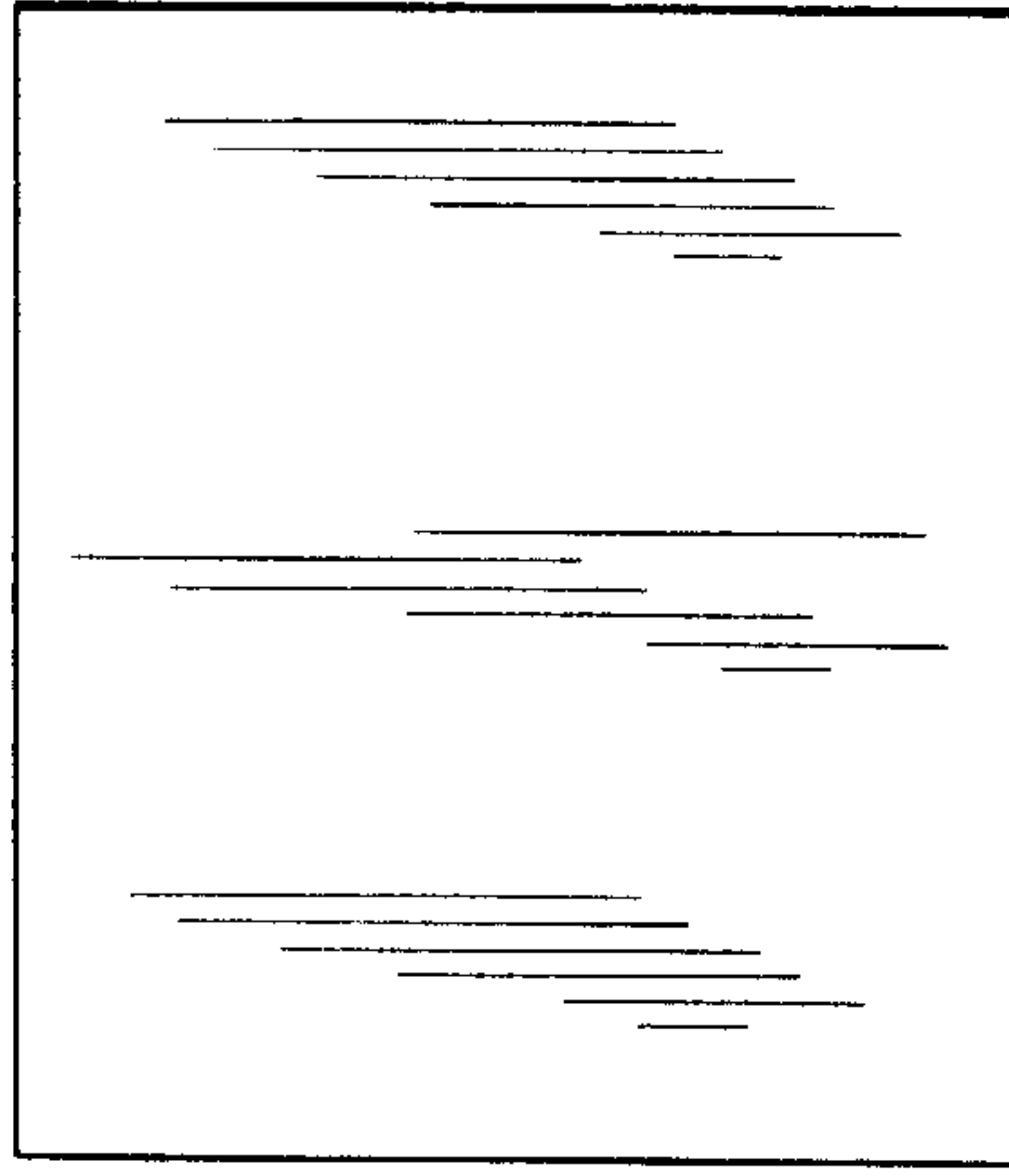


FIG. 7

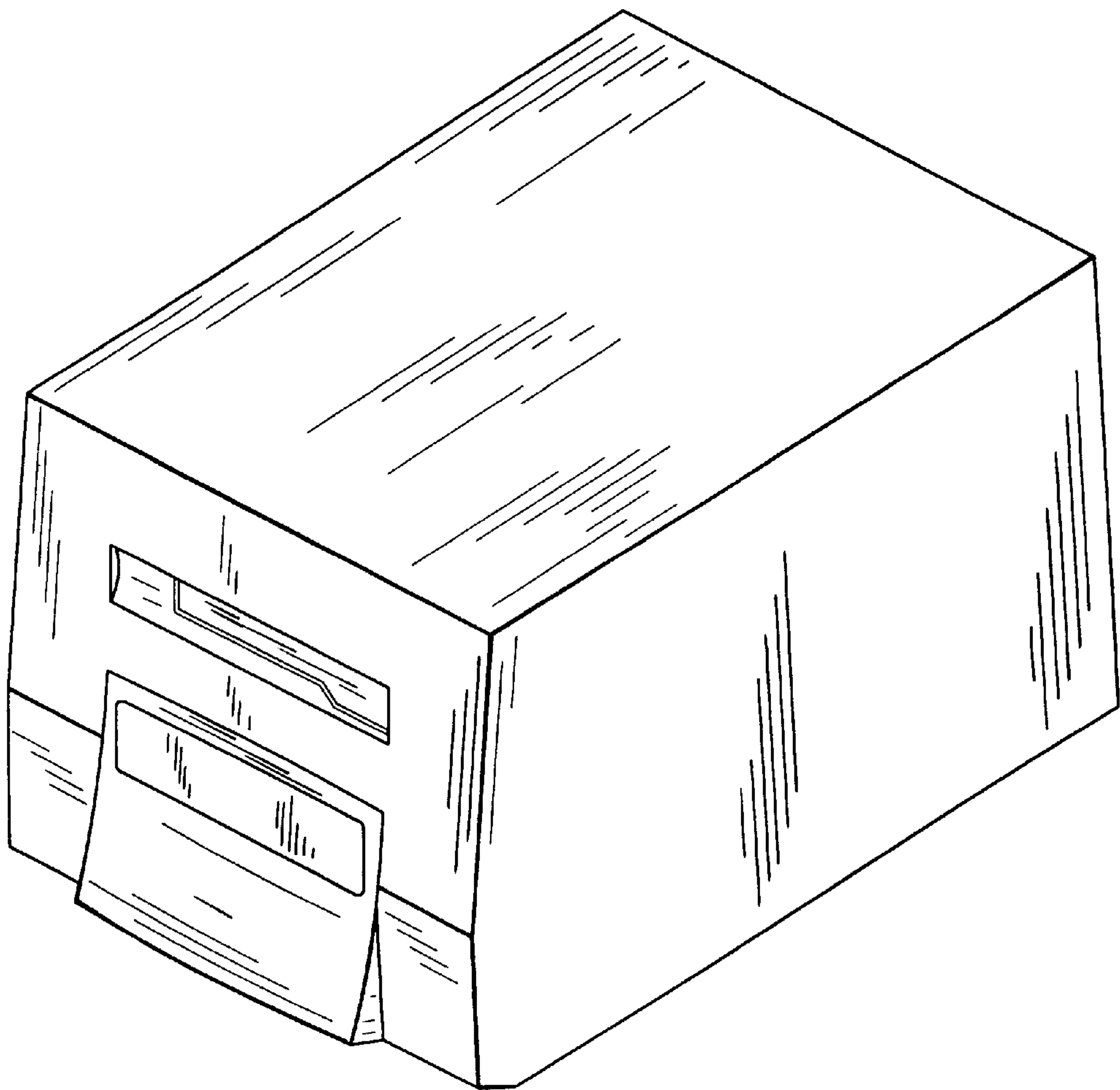


FIG. 8

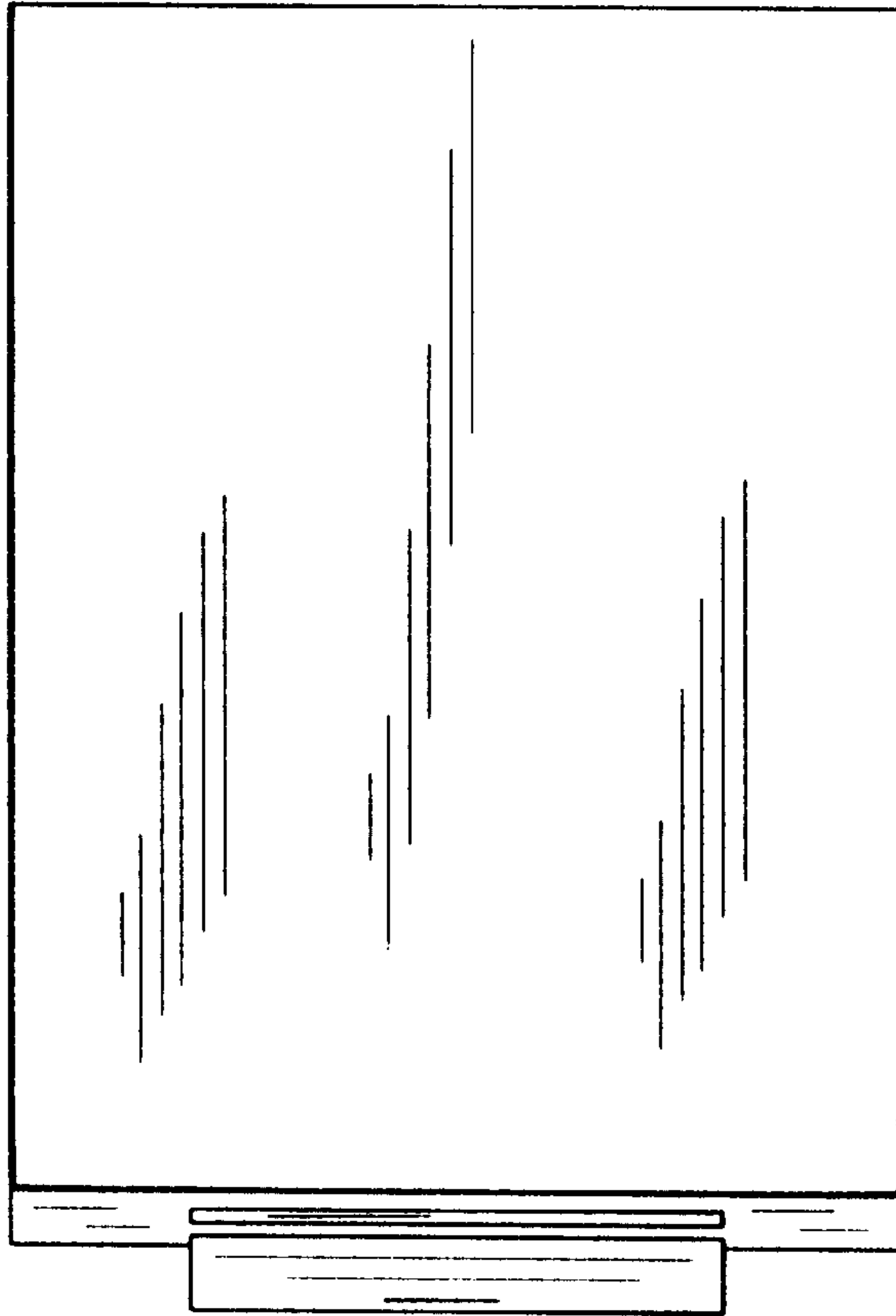


FIG. 9

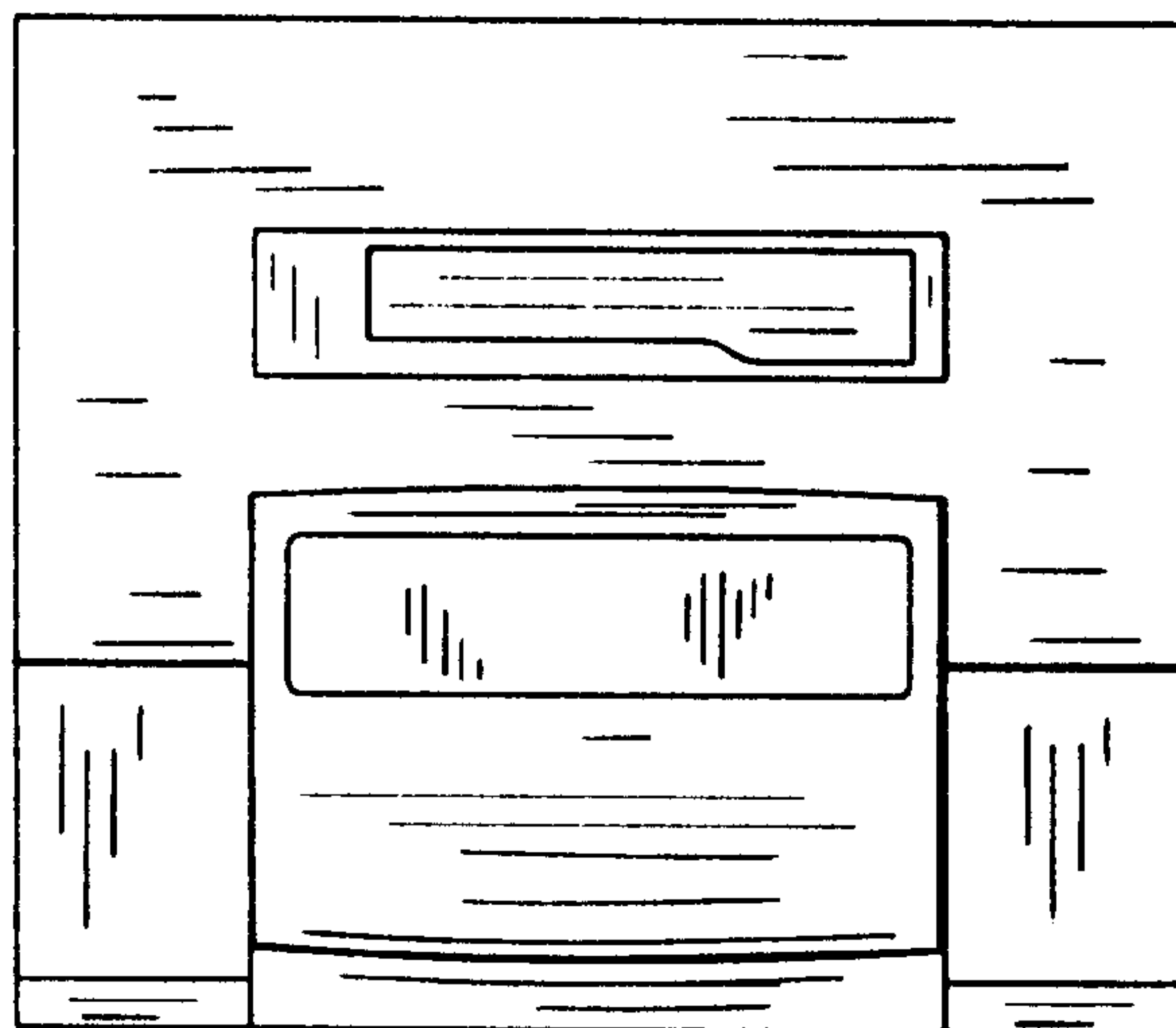


FIG. 10

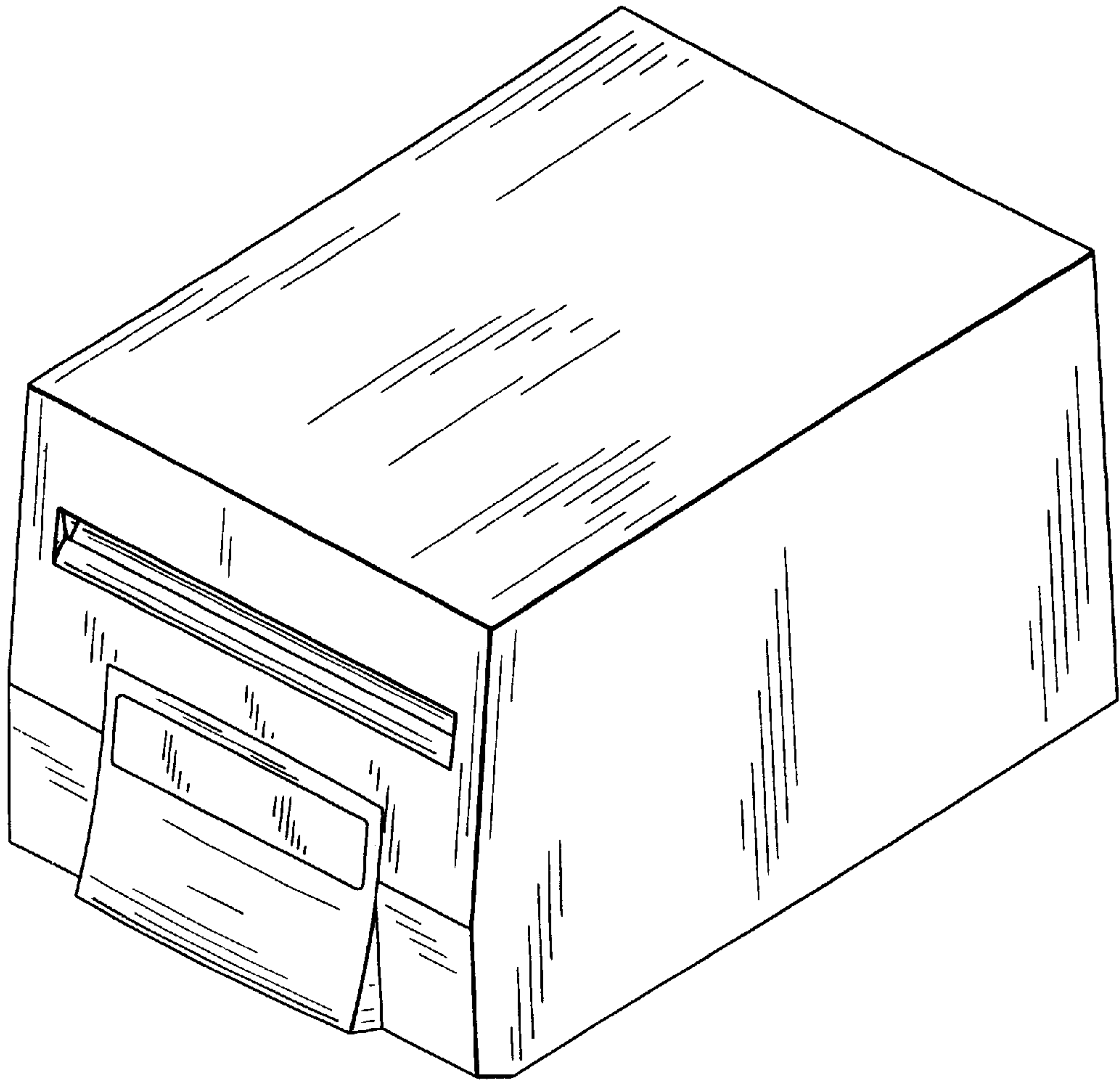




FIG. 11

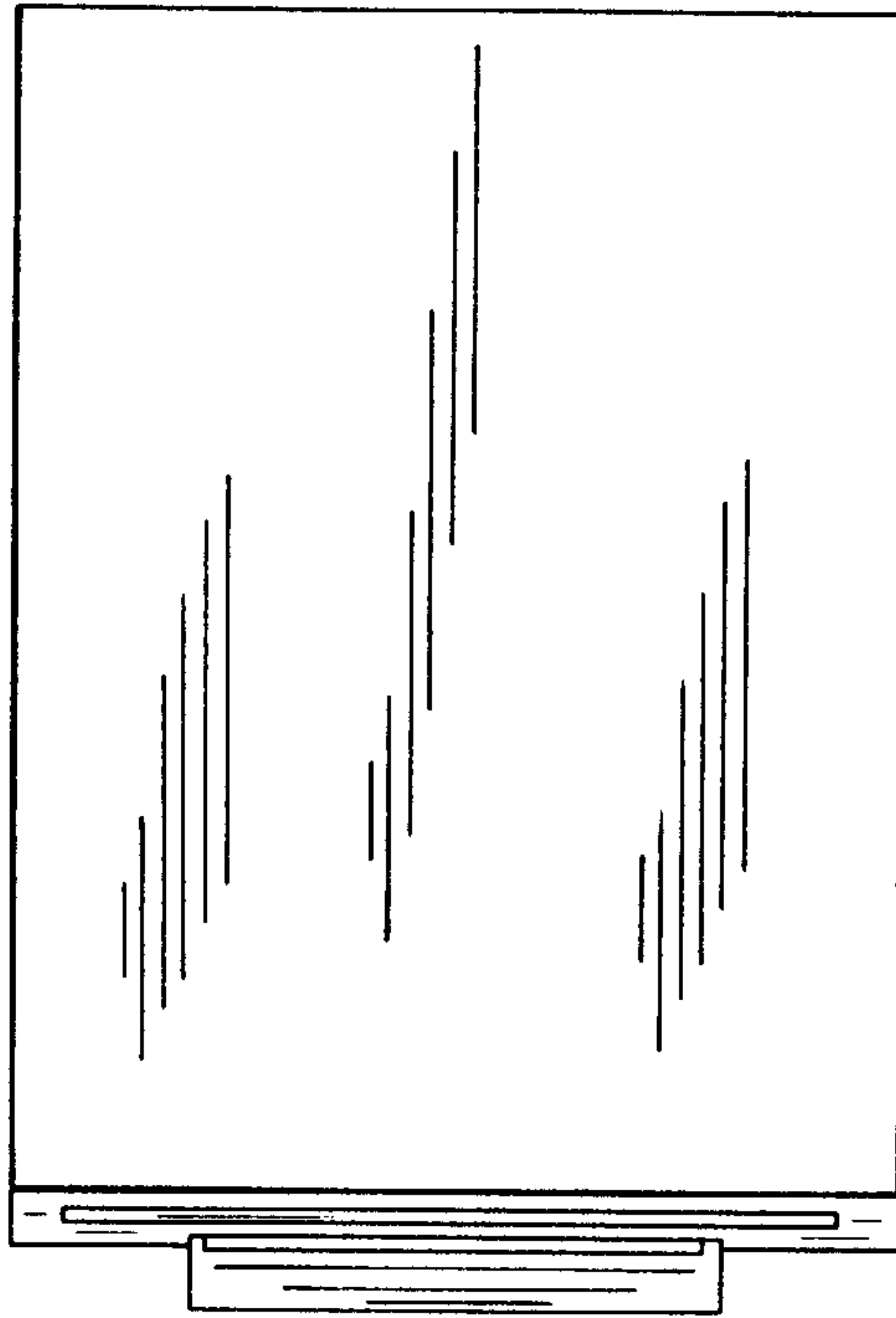


FIG. 14

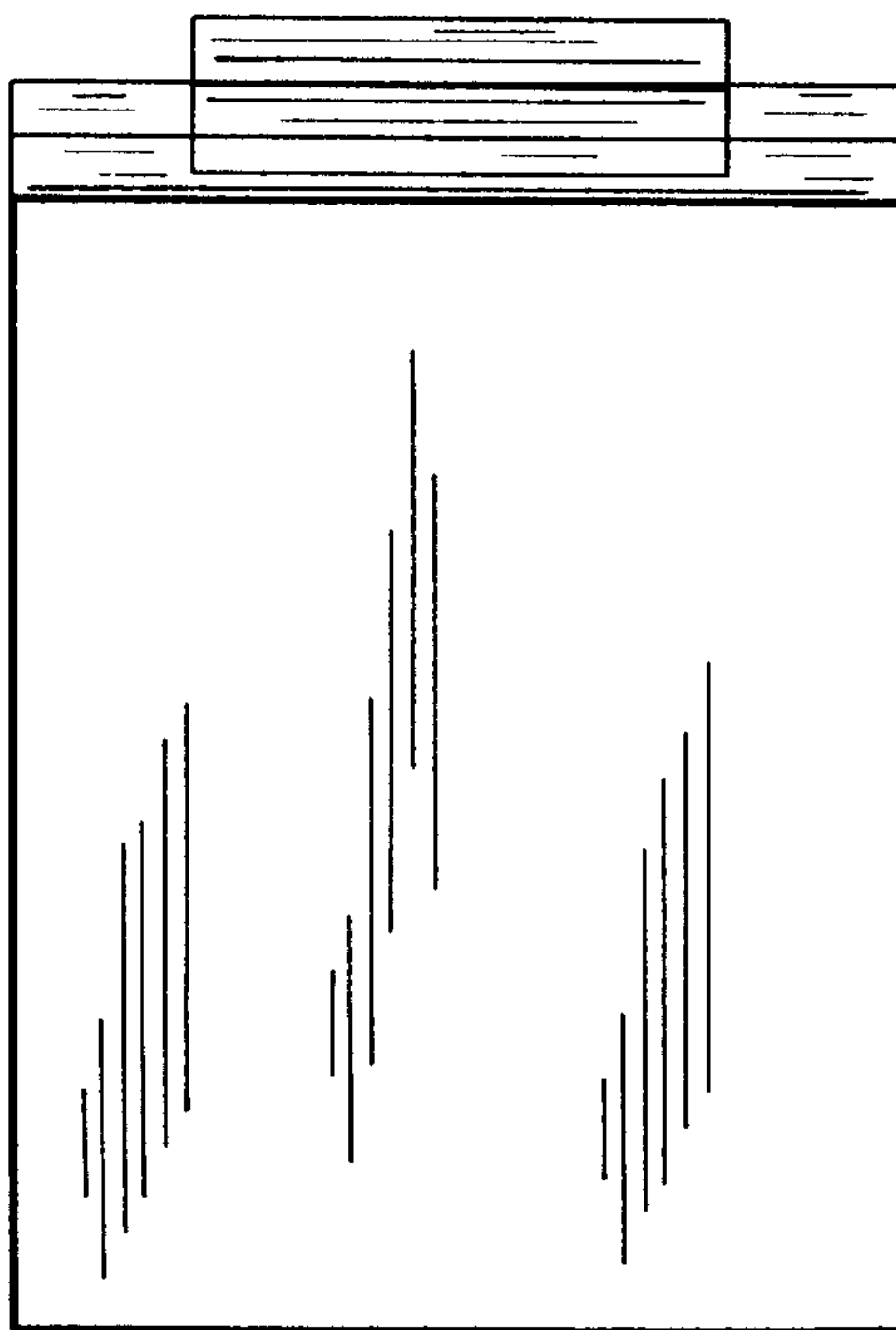




FIG. 15

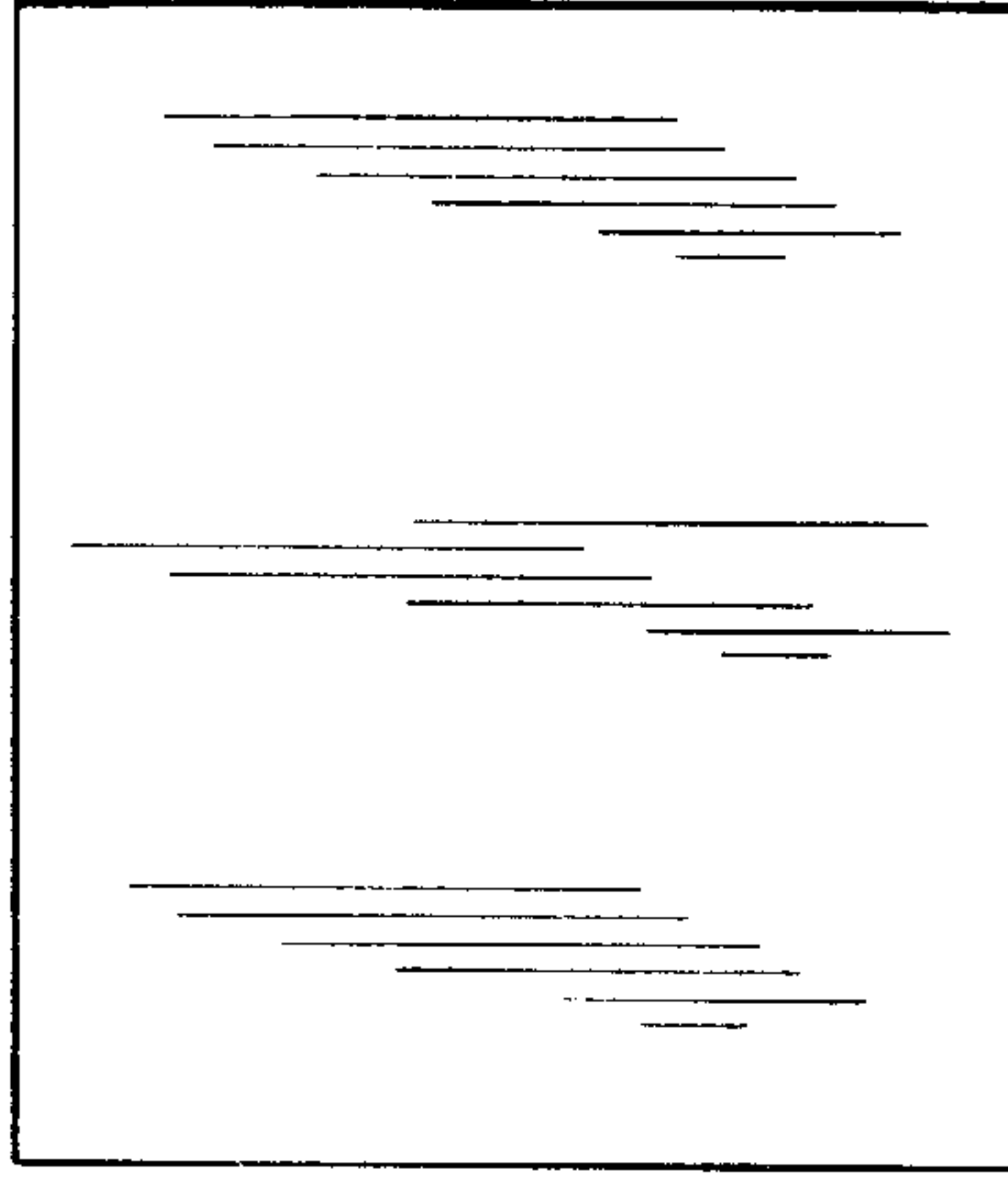


FIG. 13

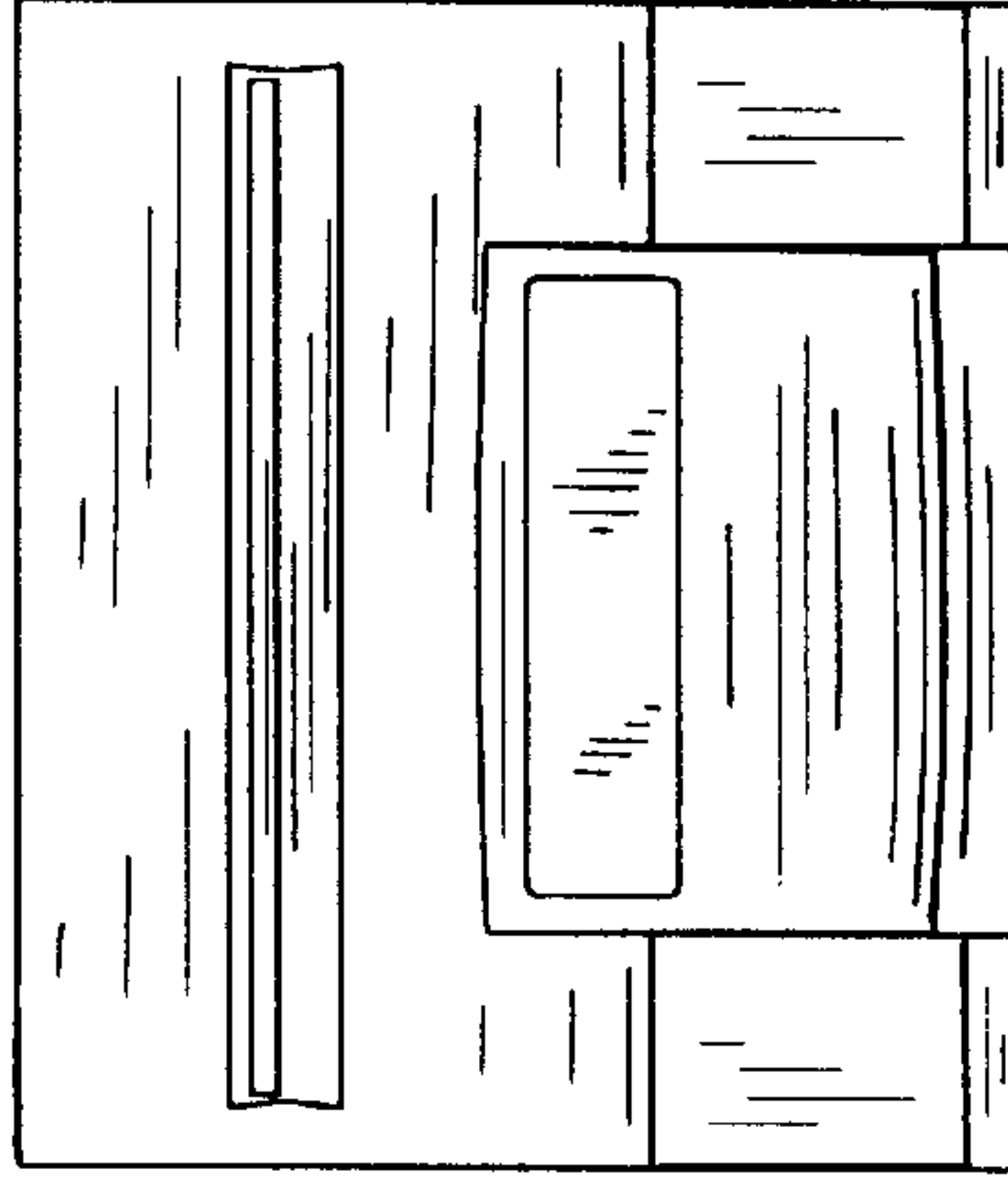


FIG. 12

