



US00D418130S

United States Patent [19] Iribe

[11] **Patent Number: Des. 418,130**

[45] **Date of Patent: ** Dec. 28, 1999**

[54] **VIDEO TAPE RECORDER**

[75] Inventor: **Toshio Iribe**, Tokyo, Japan

[73] Assignee: **Sony Corporation**, Tokyo, Japan

[**] Term: **14 Years**

[21] Appl. No.: **29/084,888**

[22] Filed: **Mar. 12, 1998**

[51] **LOC (6) Cl.** **14-01**

[52] **U.S. Cl.** **D14/135**

[58] **Field of Search** D14/107-109,
D14/124, 135, 136, 156, 160, 161, 164,
239; 386/46; 369/75.1

[56] **References Cited**

U.S. PATENT DOCUMENTS

D. 282,665	2/1986	Sims et al.	D14/108
D. 334,917	4/1993	Miyamoto	D14/108
D. 356,784	3/1995	Hill et al.	D14/108
D. 371,358	7/1996	Yamagishi et al.	D14/136
D. 377,481	1/1997	Miyamoto et al.	D14/108

OTHER PUBLICATIONS

Catalog "Sony Equipment 1992", p. 45, Sony (May 1992).
Catalog "Sony Equipment 1995-1996", pp. 7, 8, 9, 10 & 11,
Sony (Jun. 1995).

Primary Examiner—Ted Shooman
Assistant Examiner—Richelle Shelton
Attorney, Agent, or Firm—Foley & Lardner

[57] **CLAIM**

The ornamental design for a video tape recorder, as shown and described.

DESCRIPTION

FIG. 1 is a perspective view of a video tape recorder showing my new design;
FIG. 2 is a top plan view thereof;
FIG. 3 is a left side elevational view thereof, a right side elevational view thereof being a mirror image; and,
FIG. 4 is a front elevational view thereof, the rear elevational view being unornamented.

1 Claim, 2 Drawing Sheets

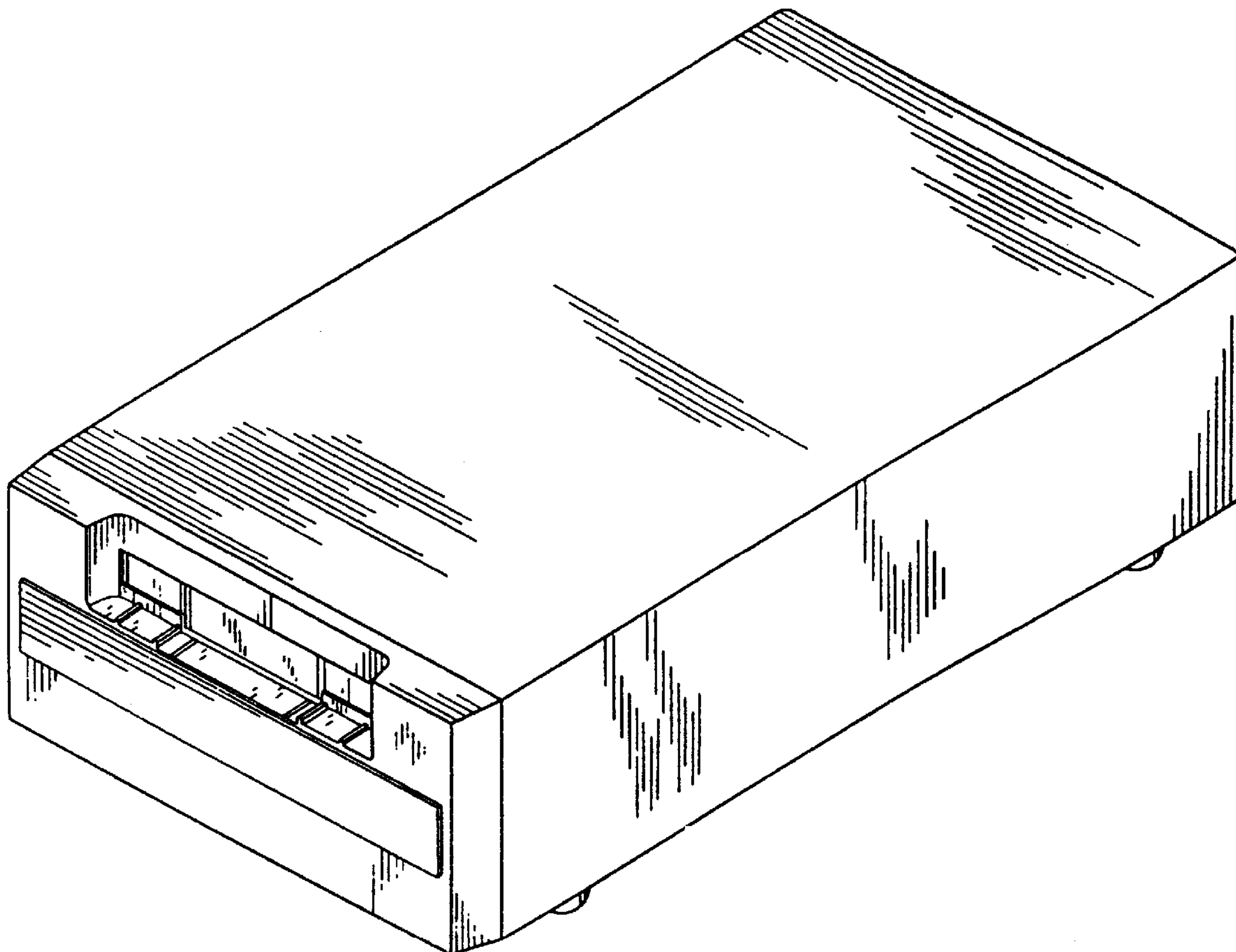


FIG. 1

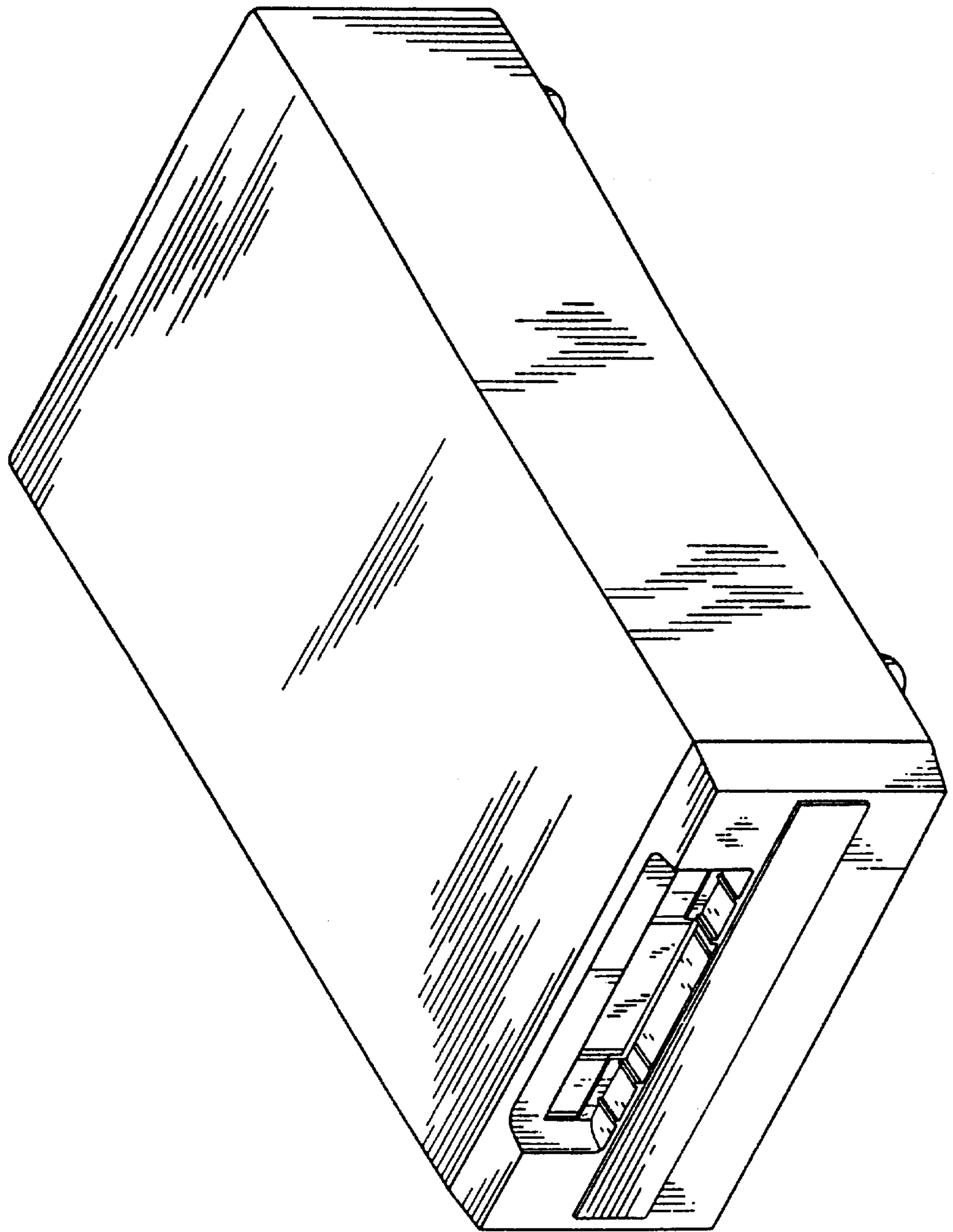


FIG. 2

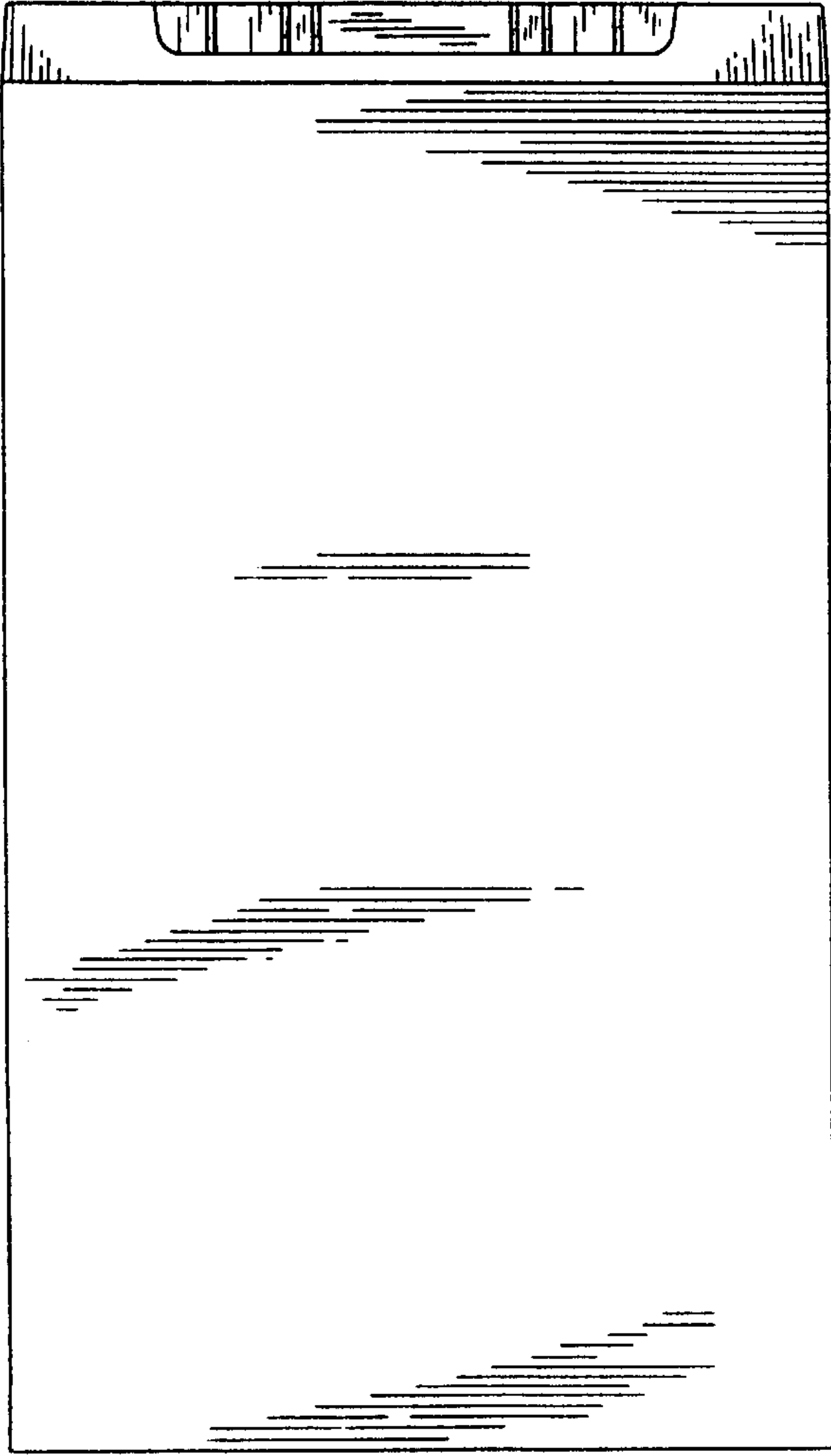


FIG. 3

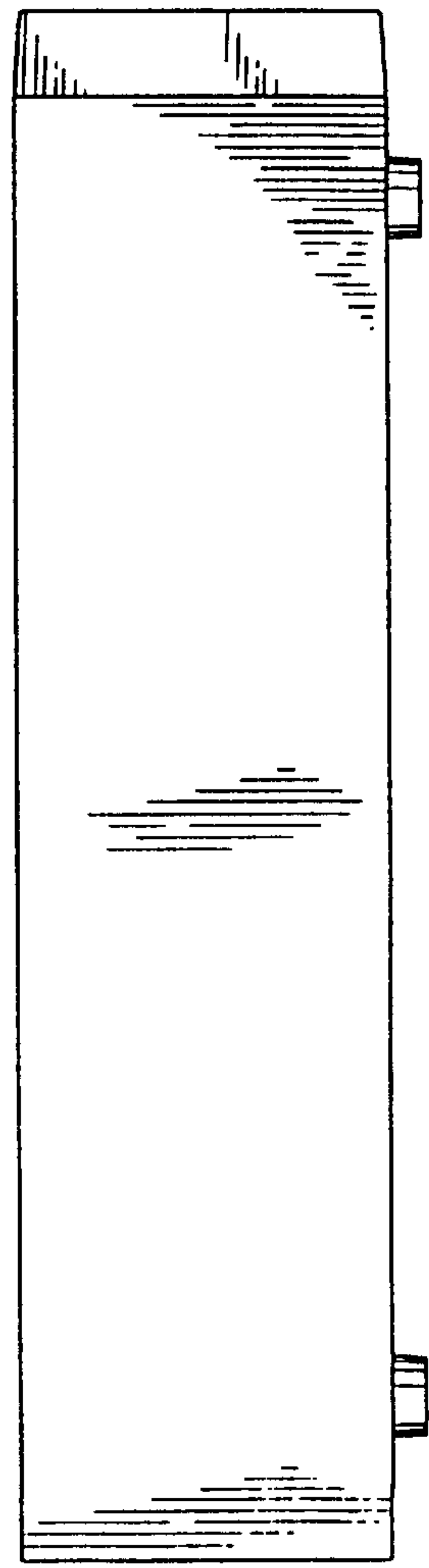


FIG. 4

