



US00D418129S

# United States Patent [19]

Takizawa et al.

[11] Patent Number: **Des. 418,129**

[45] Date of Patent: **\*\* Dec. 28, 1999**

[54] **IMAGE DISPLAY DEVICE**

D. 360,203 7/1995 Bourgerie ..... D14/128  
D. 368,087 3/1996 Gioscia ..... D14/128

[75] Inventors: **Sakiko Takizawa**, Kawasaki; **Hiroyuki Koizumi**, Tokyo, both of Japan

*Primary Examiner*—Ted Shooman  
*Assistant Examiner*—Richelle Shelton  
*Attorney, Agent, or Firm*—Fitzpatrick, Cella, Harper & Scinto

[73] Assignee: **Canon Kabushiki Kaisha**, Tokyo, Japan

[\*\*] Term: **14 Years**

## [57] CLAIM

[21] Appl. No.: **29/089,680**

The ornamental design for an image display device, as shown and described.

[22] Filed: **Jun. 19, 1998**

## DESCRIPTION

### [30] Foreign Application Priority Data

Feb. 6, 1998 [JP] Japan ..... 10-3255

FIG. 1 is a front view of an image display device, showing our new design;

[51] **LOC (6) Cl.** ..... **14-03**

FIG. 2 is a rear view thereof;

[52] **U.S. Cl.** ..... **D14/128; D14/133**

FIG. 3 is a top plan view thereof;

[58] **Field of Search** ..... D14/128, 133;  
D21/325; 312/7.2; 348/787, 789, 836; 353/47,  
74

FIG. 4 is a bottom plan view thereof;

FIG. 5 is a left side view thereof;

FIG. 6 is a right side view thereof; and,

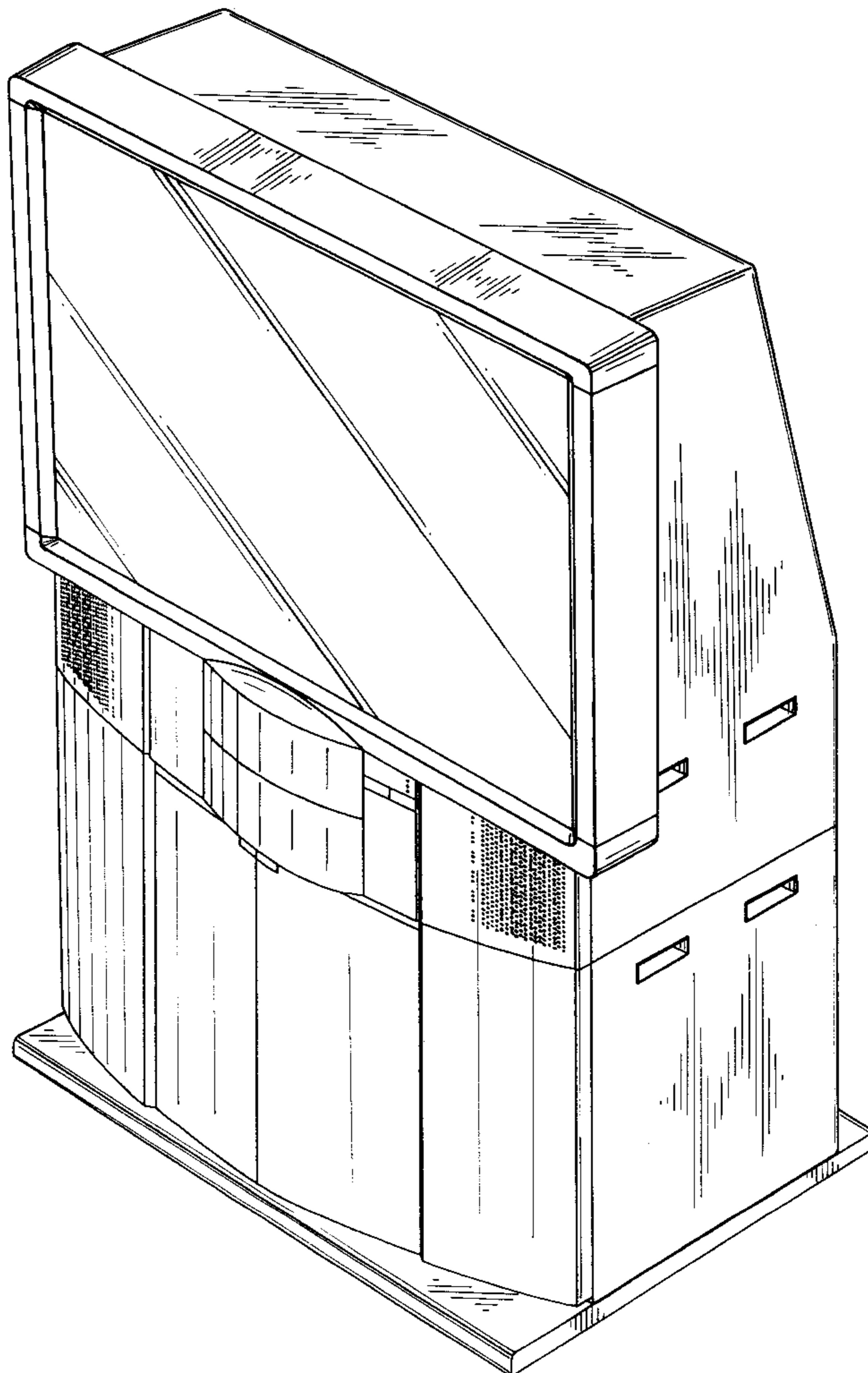
FIG. 7 is a perspective view thereof.

### [56] References Cited

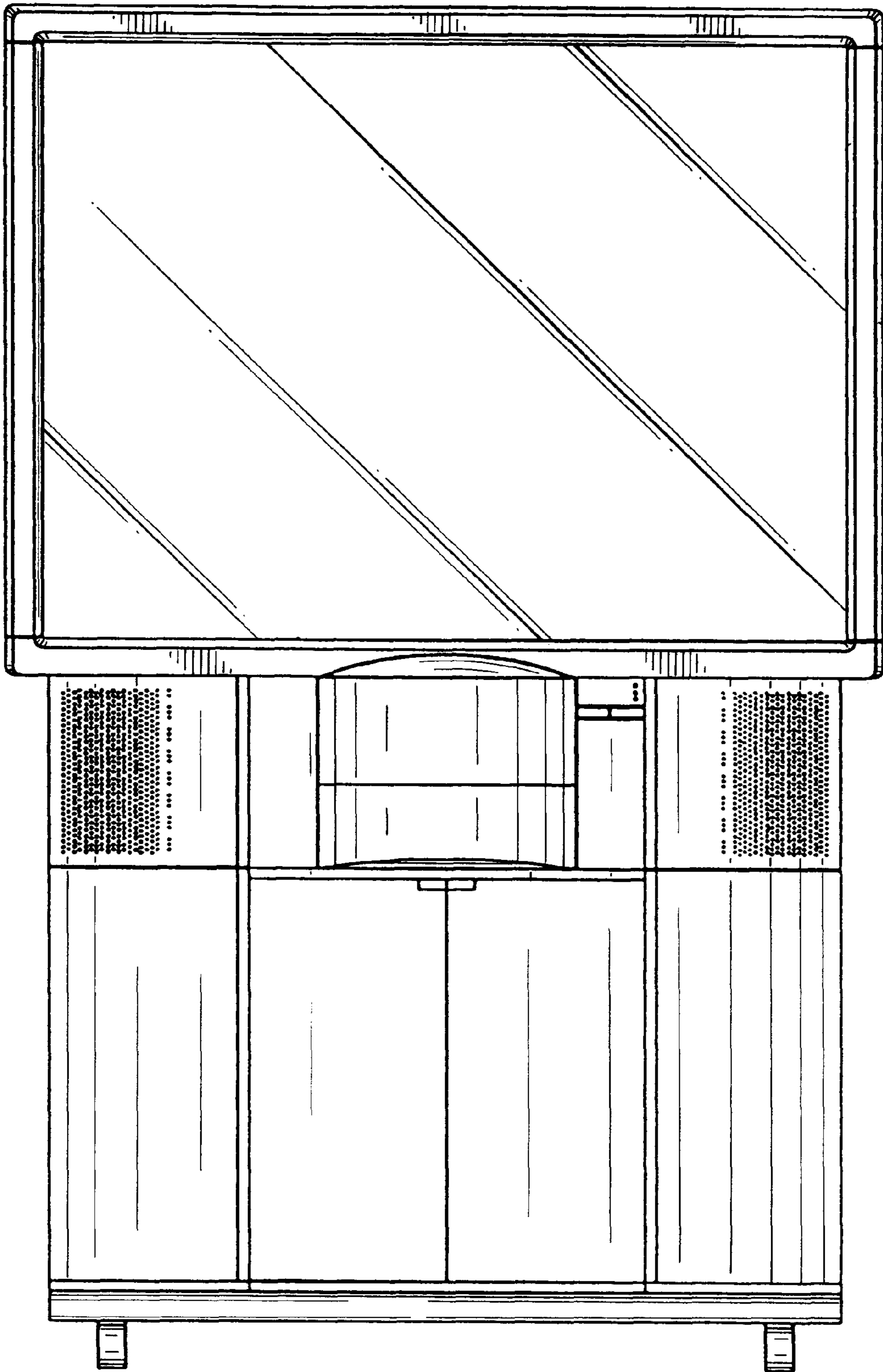
#### U.S. PATENT DOCUMENTS

D. 354,486 1/1995 Morita et al. .... D14/133

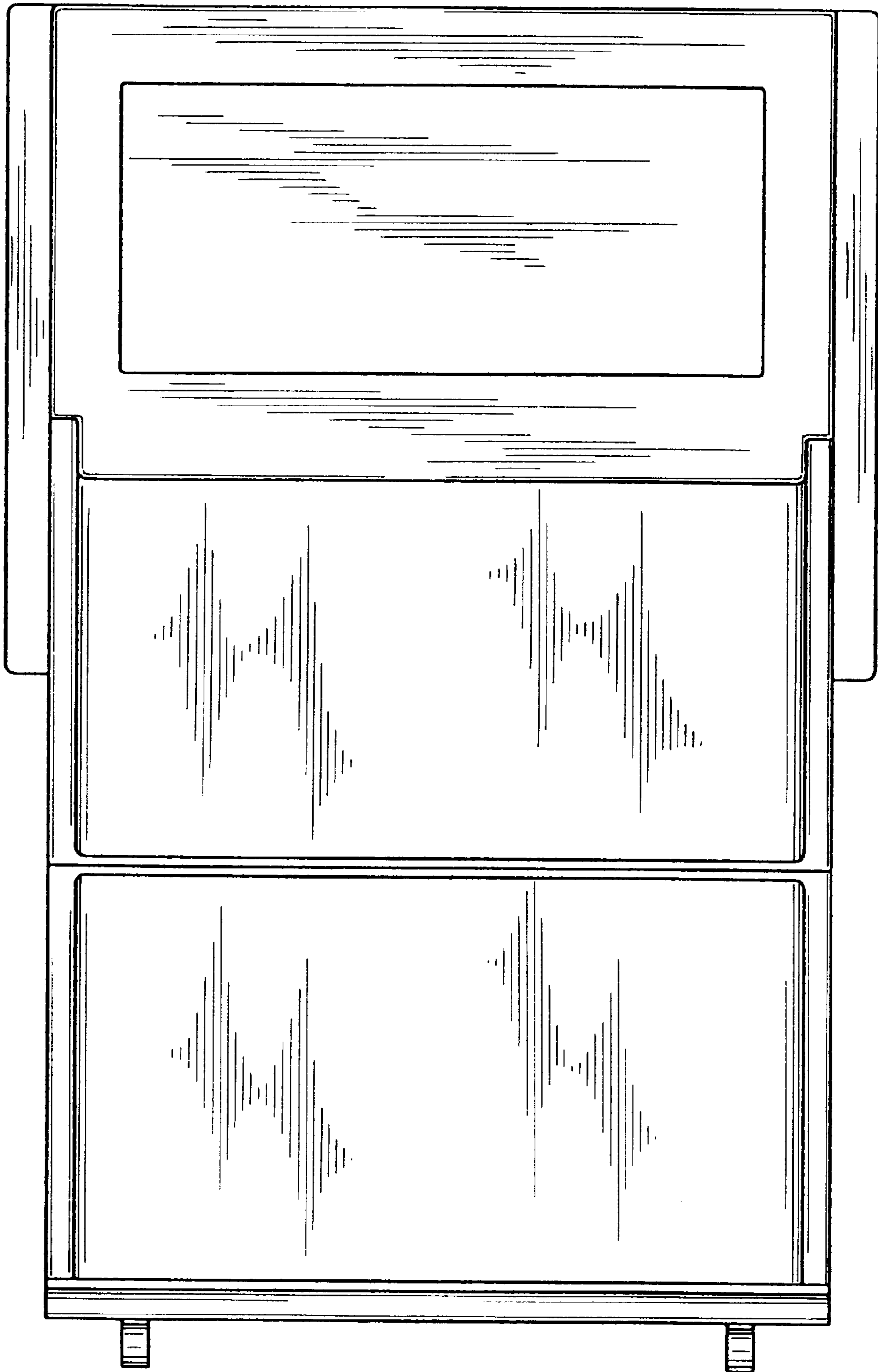
**1 Claim, 5 Drawing Sheets**



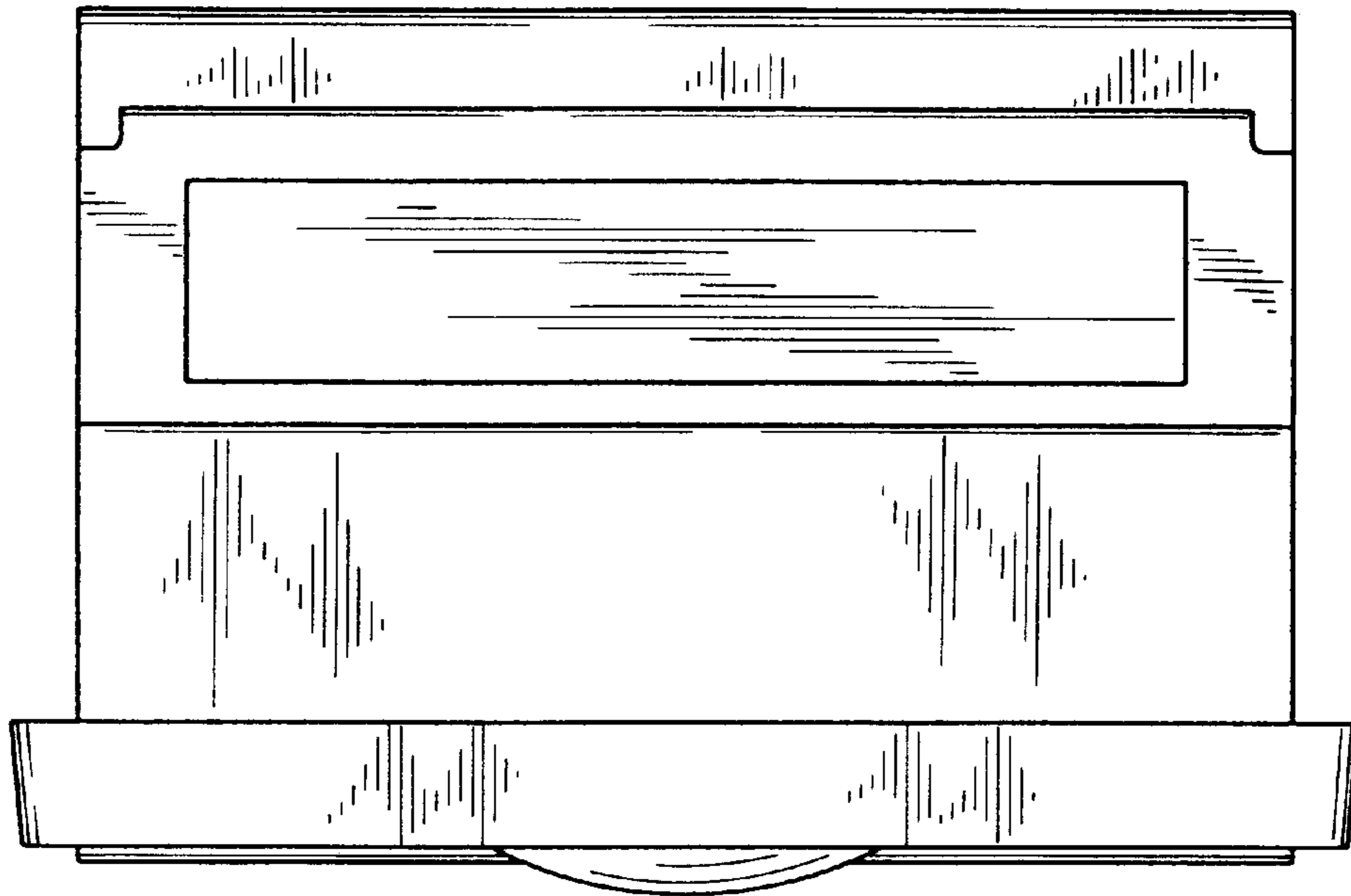
*FIG. 1*



*FIG. 2*



*FIG. 3*



*FIG. 4*

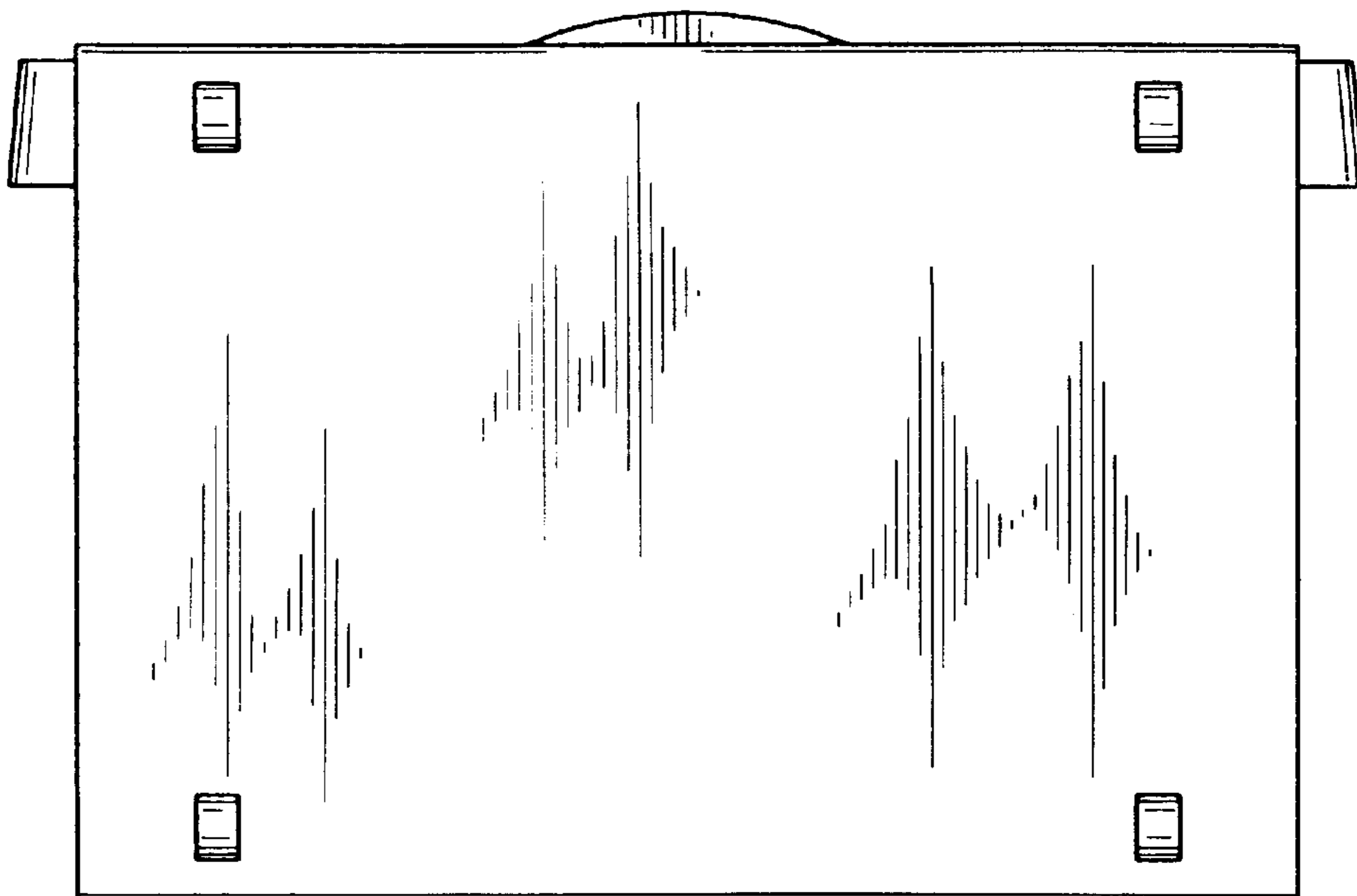


FIG. 5

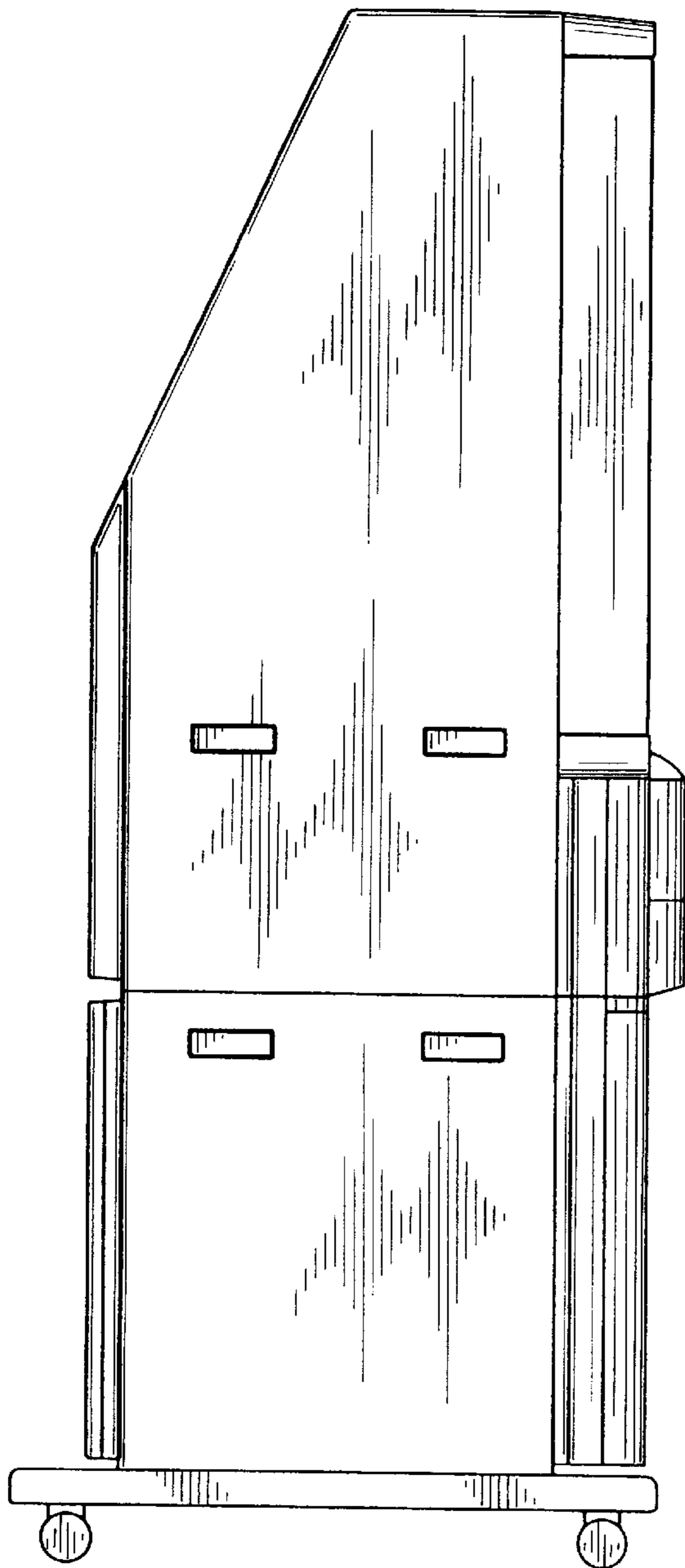
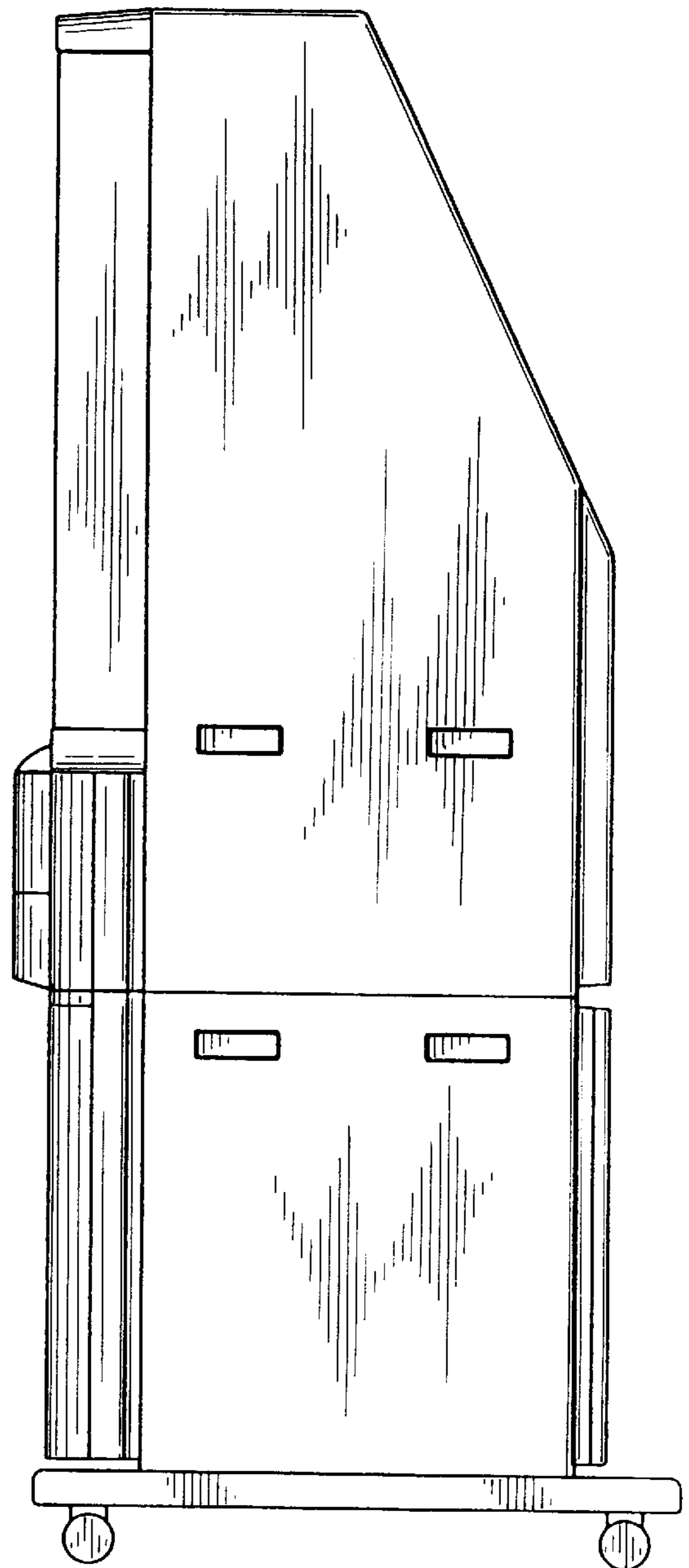
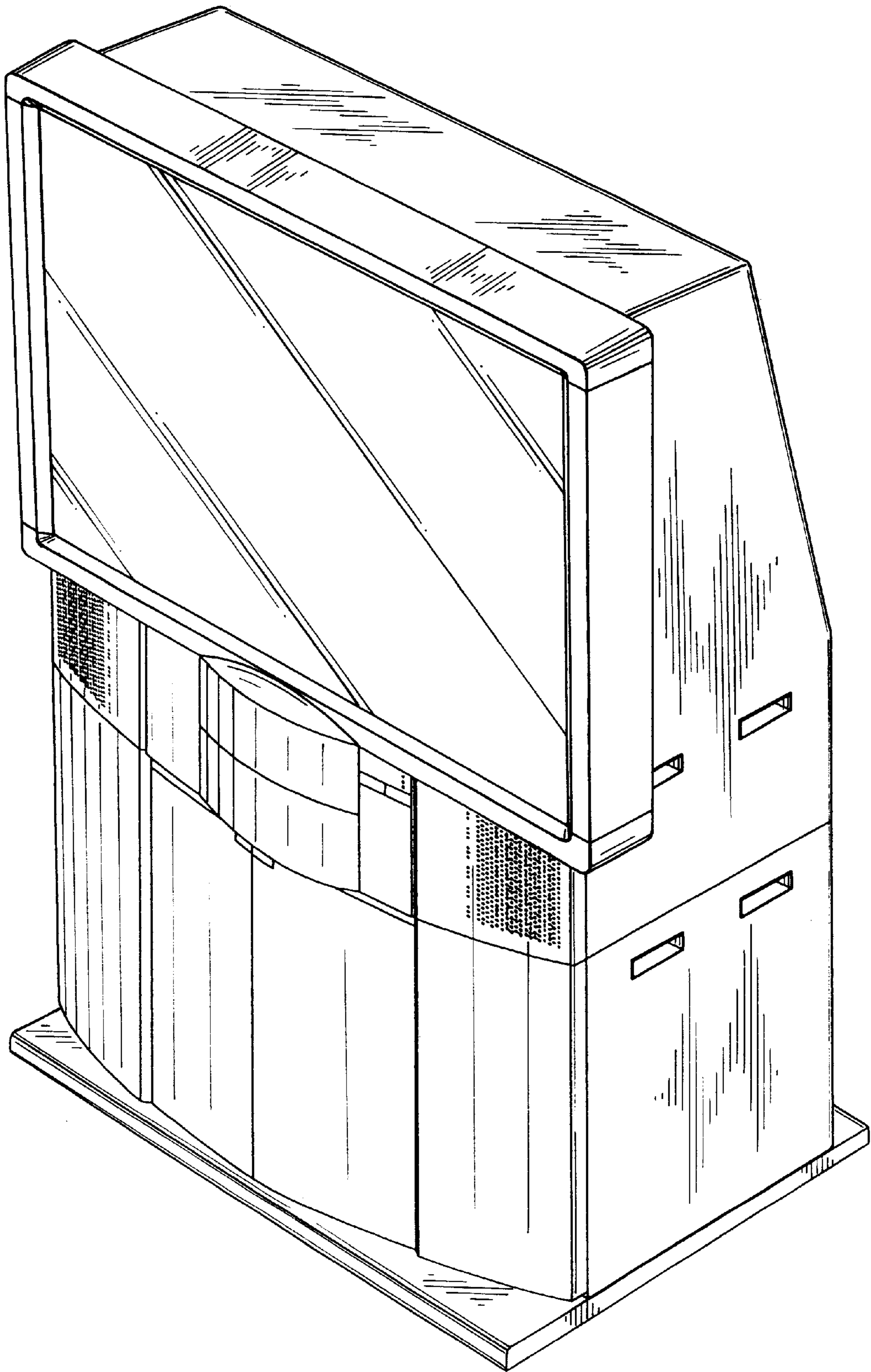


FIG. 6



*FIG. 7*



UNITED STATES PATENT AND TRADEMARK OFFICE  
**CERTIFICATE OF CORRECTION**

PATENT NO. : Des. 418,129  
DATED : December 28, 1999  
INVENTOR(S) : Sakiko Takizawa

Page 1 of 2

It is certified that error appears in the above-identified patent and that said Letters Patent is hereby corrected as shown below:

Drawings,

Sheet 4, Figures 5 and 6, replace Figures 5 and 6 with attached amended Figures 5 and 6.

Signed and Sealed this

Thirtieth Day of August, 2005

A handwritten signature in black ink on a light gray dotted background. The signature reads "Jon W. Dudas" in a cursive style.

JON W. DUDAS

*Director of the United States Patent and Trademark Office*

FIG. 6

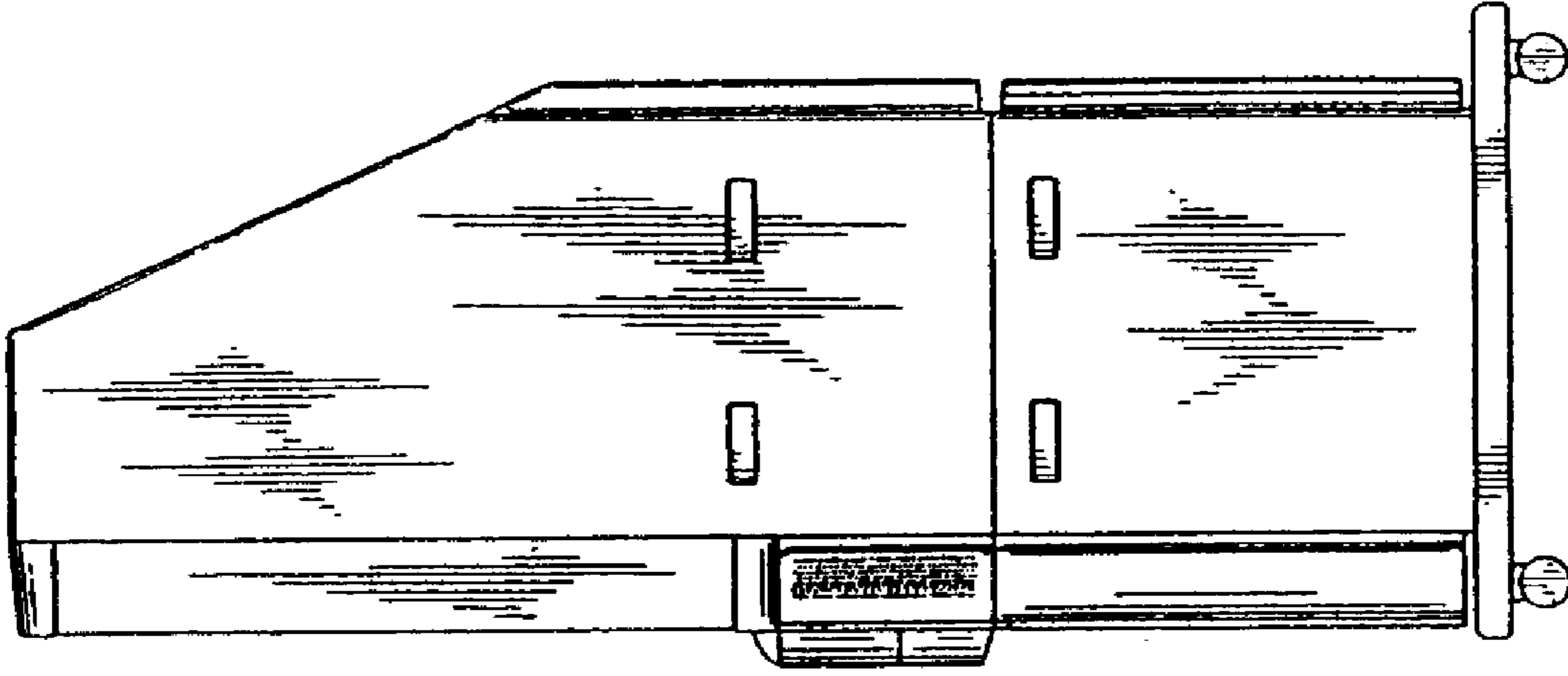


FIG. 5

