



US00D418128S

United States Patent [19]

[11] Patent Number: Des. 418,128

Ellis et al.

[45] Date of Patent: ** Dec. 28, 1999

[54] SHIPPING CARTRIDGE FOR A COMPUTER DISK DRIVE

[75] Inventors: Carl E. Ellis, Layton; Lewis E. Farrer, Kaysville; Richard E. Leavitt, Layton, all of Utah

[73] Assignee: Iomega Corporation, Roy, Utah

[**] Term: 14 Years

[21] Appl. No.: 29/078,972

[22] Filed: Nov. 5, 1997

[51] LOC (6) Cl. 14-99

[52] U.S. Cl. D14/121

[58] Field of Search D14/120, 121, D14/114, 100, 299; D21/332; 360/132, 133, 135, 60, 137, 129, 900; 369/291, 292; 206/307, 308.1; 463/44, 46, 47; D6/407

[56] References Cited

U.S. PATENT DOCUMENTS

D. 267,566	1/1983	Hoffman	D18/12
D. 316,089	4/1991	Nakauma	D14/121
D. 361,326	8/1995	Schriner	D14/114

4,459,680	7/1984	Sukeda et al.	D14/121 X
5,362,068	11/1994	Liu	463/46 X
5,542,531	8/1996	Yeung	206/308.1
5,650,891	7/1997	Thayne et al.	360/99.06
5,685,425	11/1997	Choi	206/308.1 X
5,706,943	1/1998	Yu	206/308.1 X
5,713,464	2/1998	Chang	206/308.1 X

Primary Examiner—Prabhakar Deshmukh
Attorney, Agent, or Firm—Woodcock Washburn Kurtz Mackiewicz & Norris LLP

[57] CLAIM

The ornamental design for a shipping cartridge for a computer disk drive, as shown and described.

DESCRIPTION

FIG. 1 is a top isometric view of the shipping cartridge for a computer disk drive of this invention; FIG. 2 is a bottom isometric view thereof; FIG. 3 is a top plan view thereof; FIG. 4 is a bottom plan view thereof; FIG. 5 is a side right view thereof; FIG. 6 is a side left view thereof; FIG. 7 is a front end view thereof; and, FIG. 8 is a rear view thereof.

1 Claim, 3 Drawing Sheets

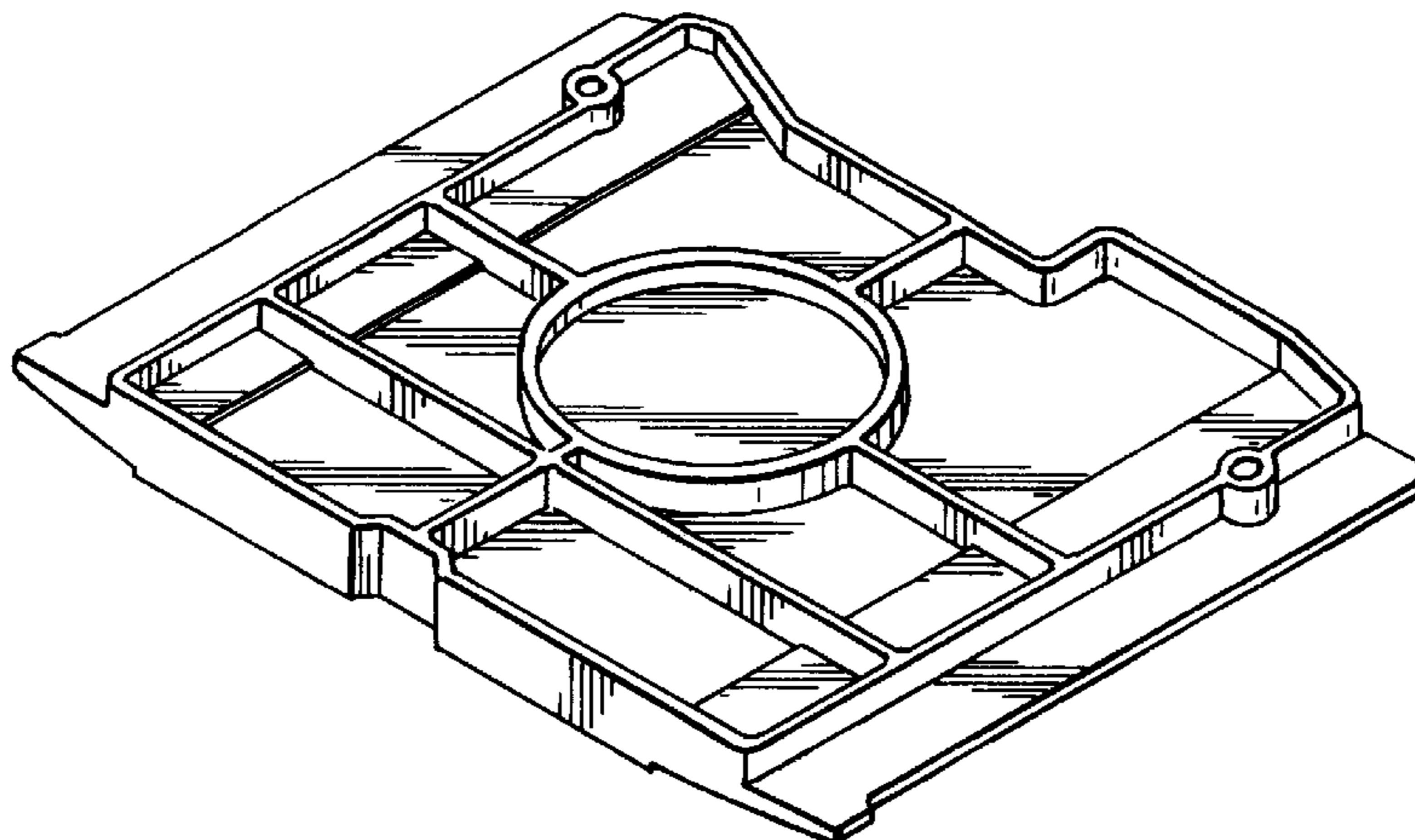
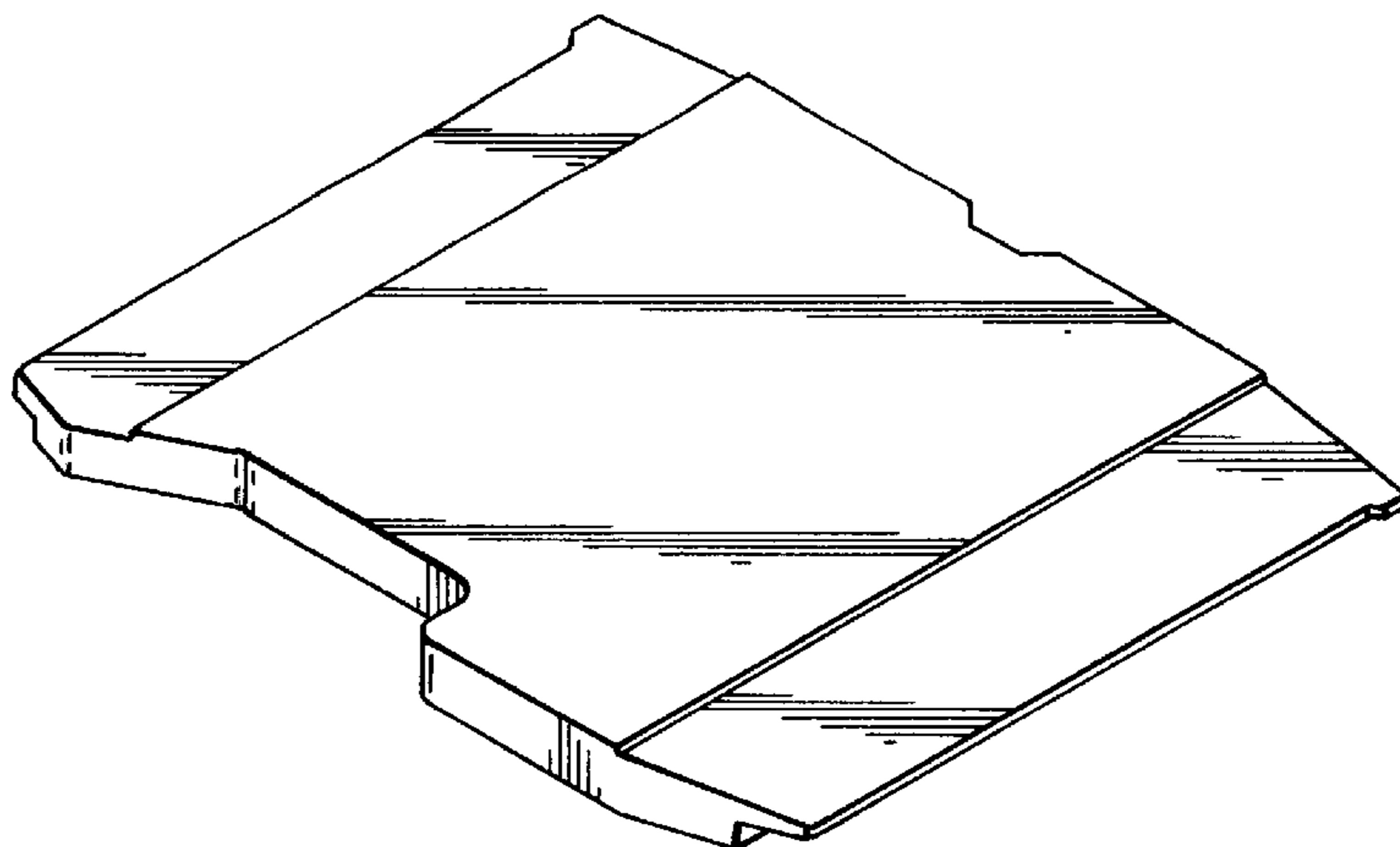


FIG. 1

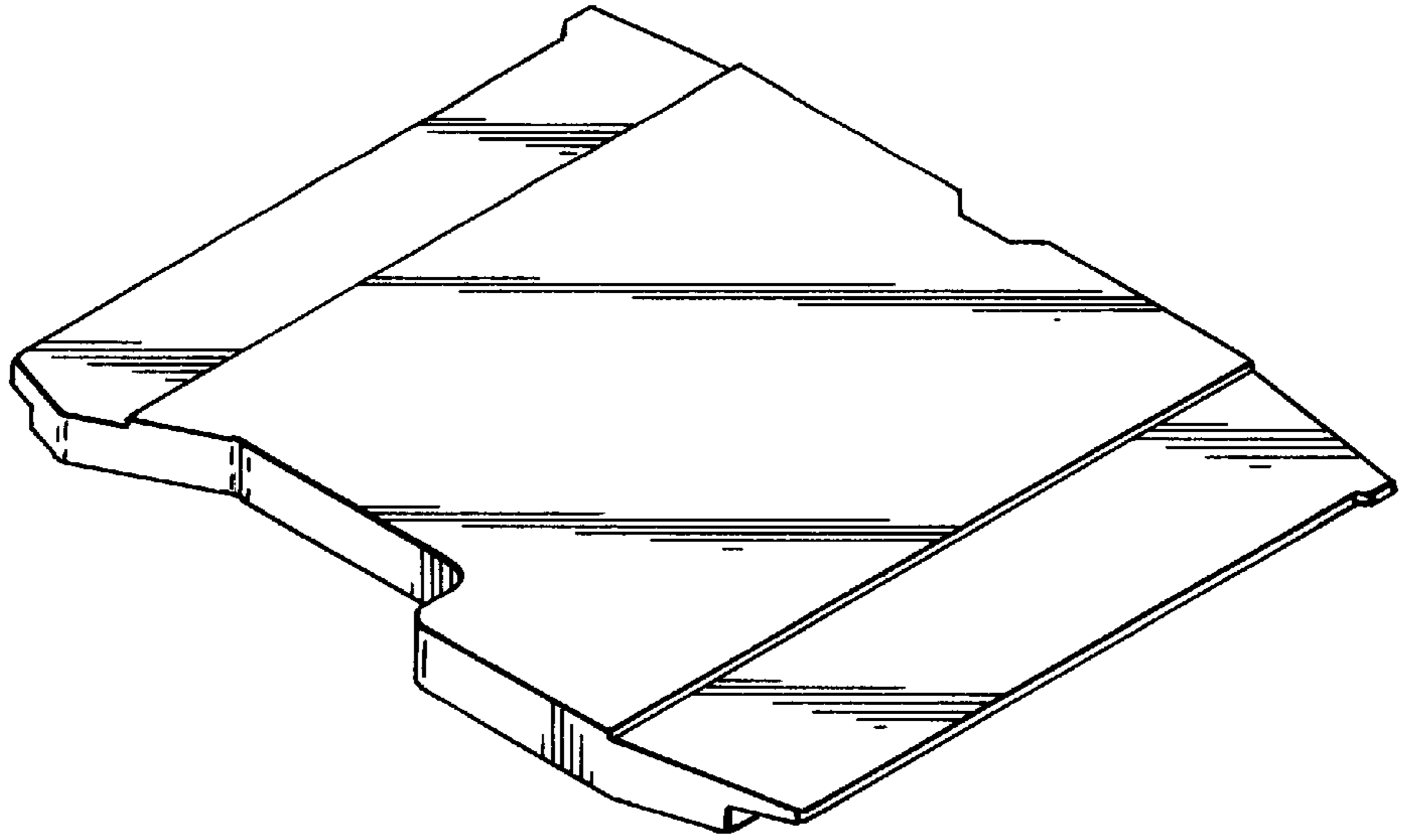


FIG. 2

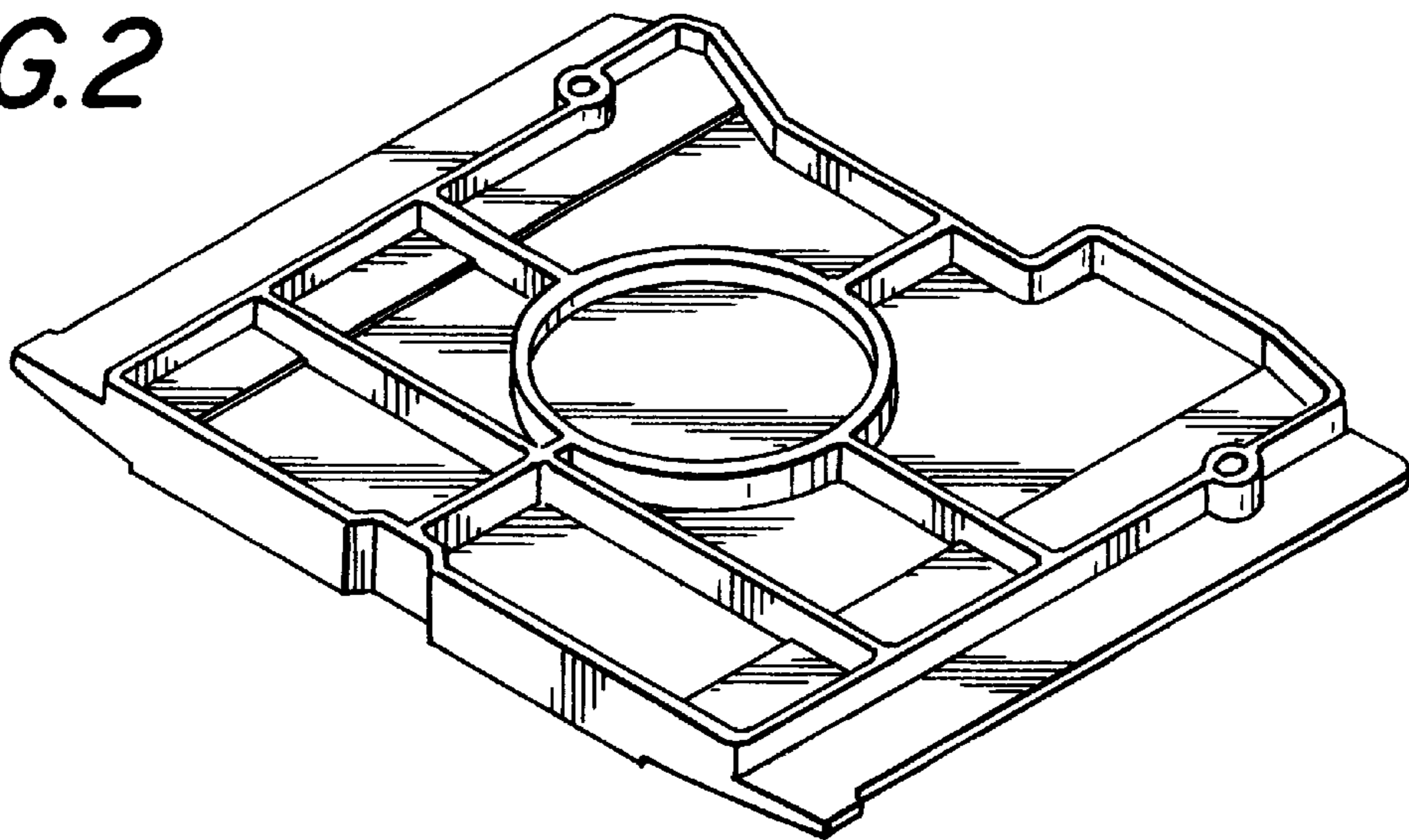


FIG.3

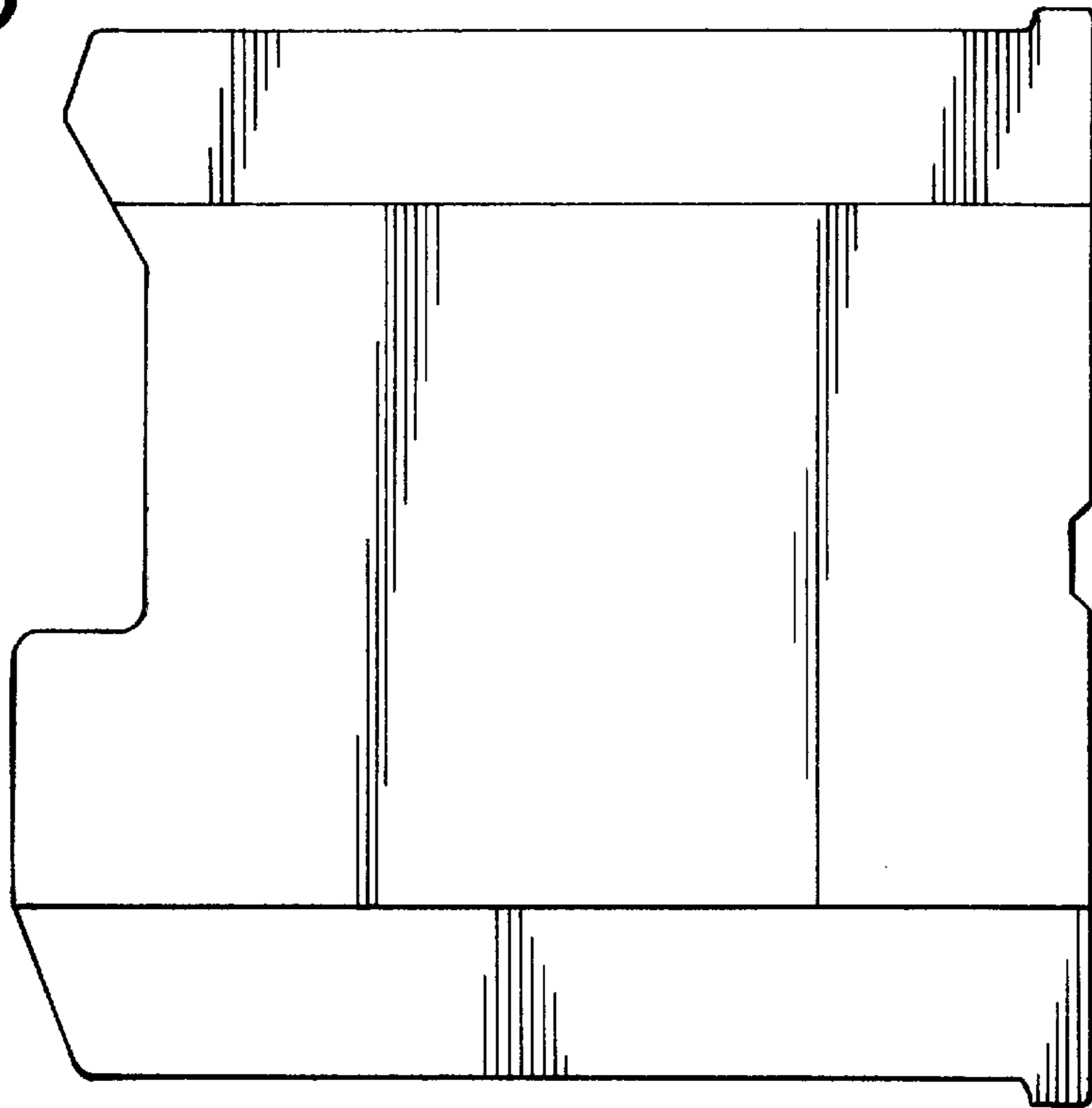


FIG.4

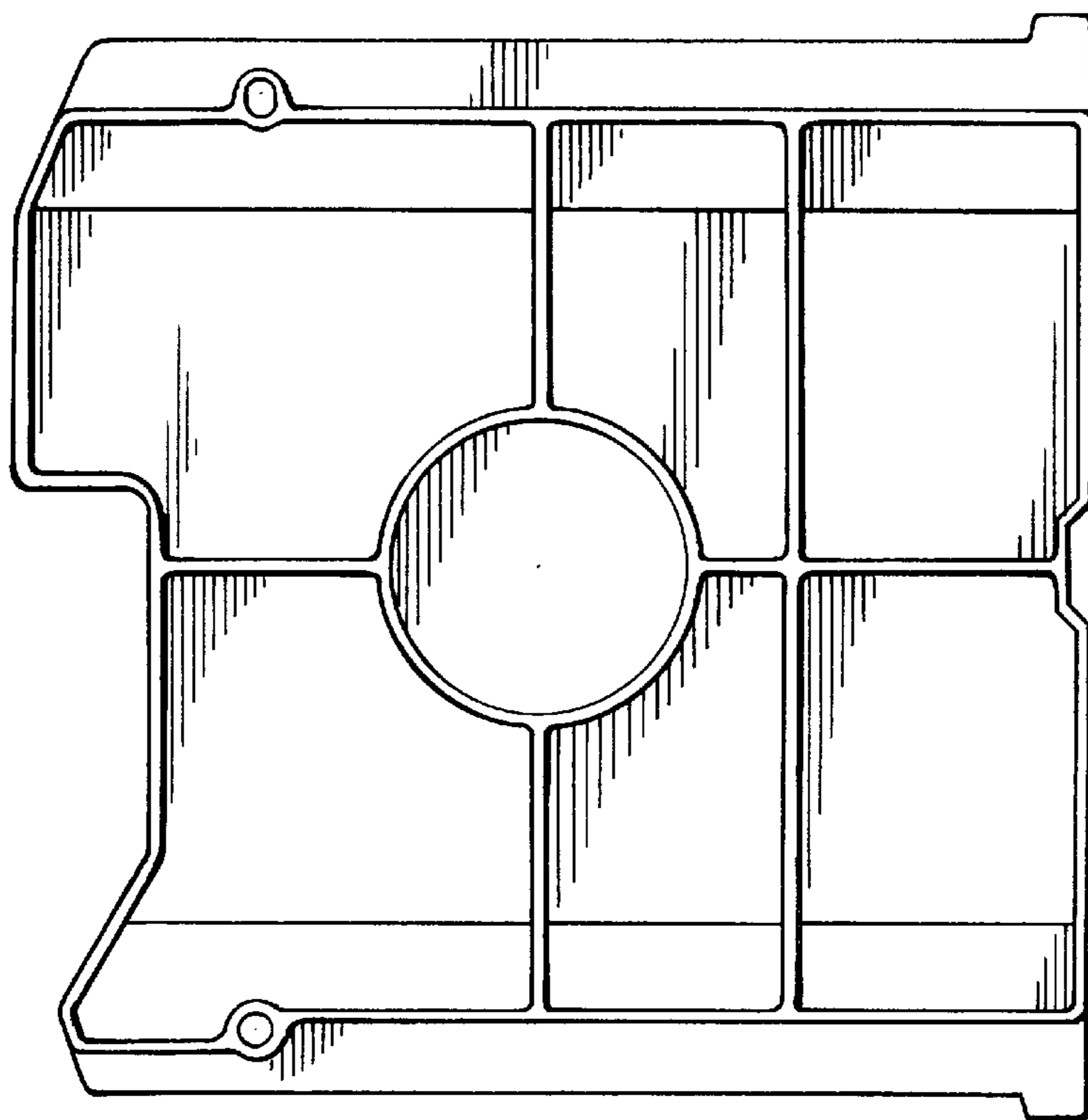


FIG.5

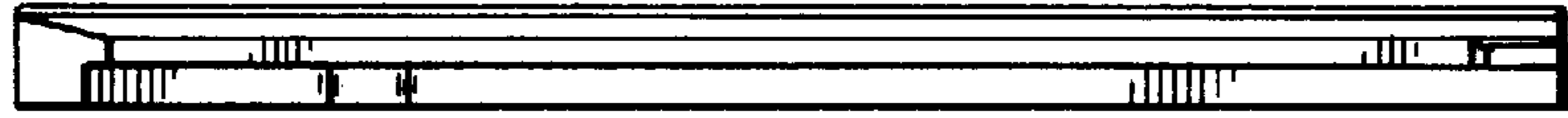


FIG.6

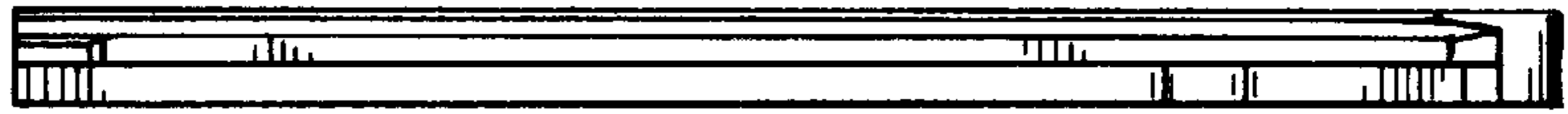


FIG.7



FIG.8

