



US00D418118S

# United States Patent [19]

Habeshaw et al.

[11] Patent Number: **Des. 418,118**

[45] Date of Patent: **\*\* Dec. 28, 1999**

[54] **ELECTRONIC DEVICE FOR READING ANALYTICAL TESTS**

[75] Inventors: **Rosie L. Habeshaw**, Bedford; **Andreas Mehne**, Cambridge, both of United Kingdom

[73] Assignee: **Unilever Patent Holdings BV**, Vlaardingen, Netherlands

[\*\*] Term: **14 Years**

[21] Appl. No.: **29/093,384**

[22] Filed: **Sep. 9, 1998**

[30] **Foreign Application Priority Data**

Mar. 13, 1998 [GB] United Kingdom ..... 2073191

[51] **LOC (6) Cl.** ..... **14-02**

[52] **U.S. Cl.** ..... **D14/107; D14/100; D10/46**

[58] **Field of Search** ..... D14/100, 105, D14/107, 114; D10/46; D24/107; 361/680-685

[56] **References Cited**

**U.S. PATENT DOCUMENTS**

D. 304,934 12/1989 Koshino ..... D14/107

D. 324,344 3/1992 Collister ..... D10/46  
D. 328,594 8/1992 Kobayashi ..... D14/107  
D. 341,572 11/1993 Kuroki ..... D14/100  
D. 355,644 2/1995 Risko ..... D14/100  
D. 397,325 8/1998 Kawakami et al. .... D14/100

*Primary Examiner*—Freda Nunn  
*Attorney, Agent, or Firm*—Pillsbury Madison & Sutro, LLP

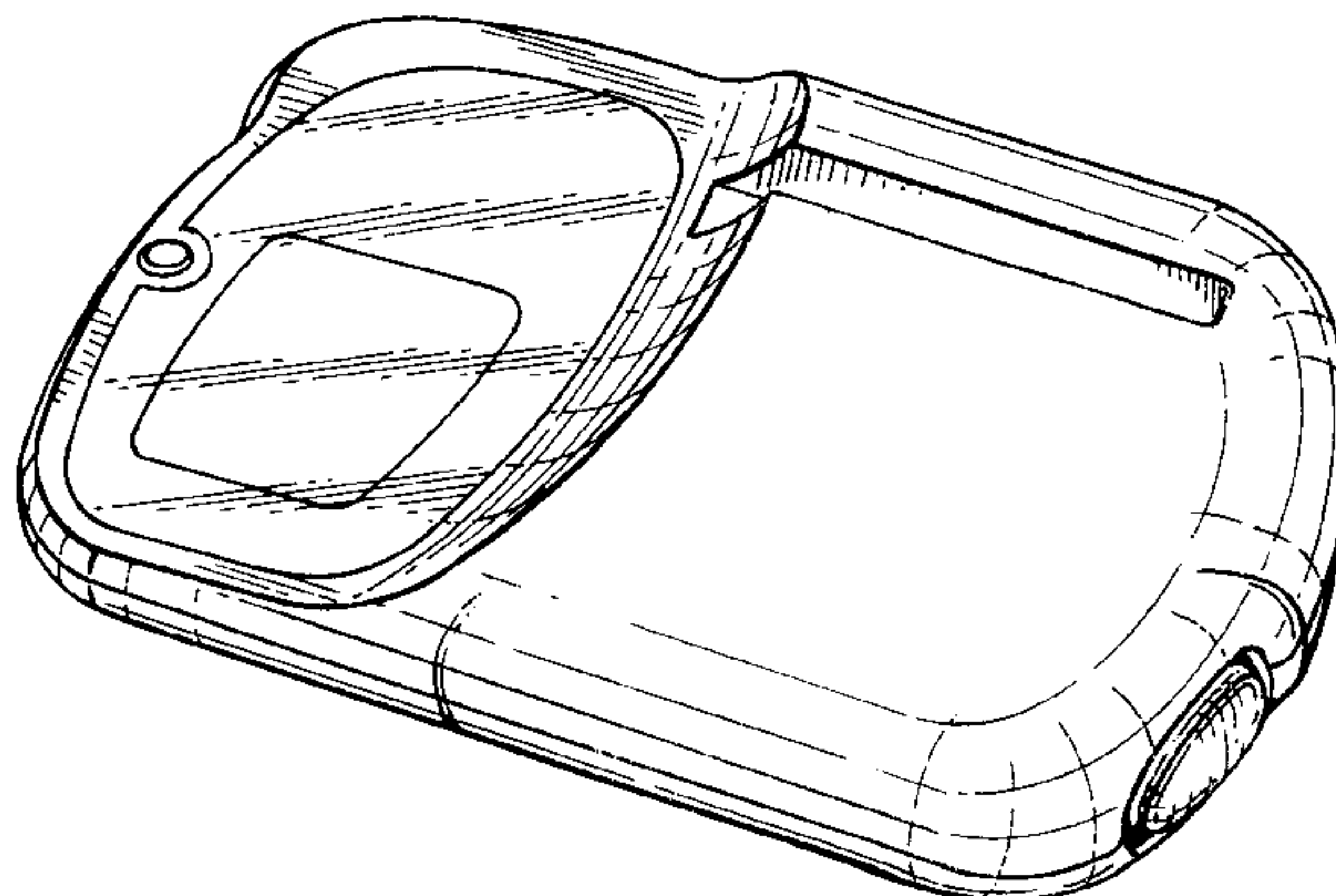
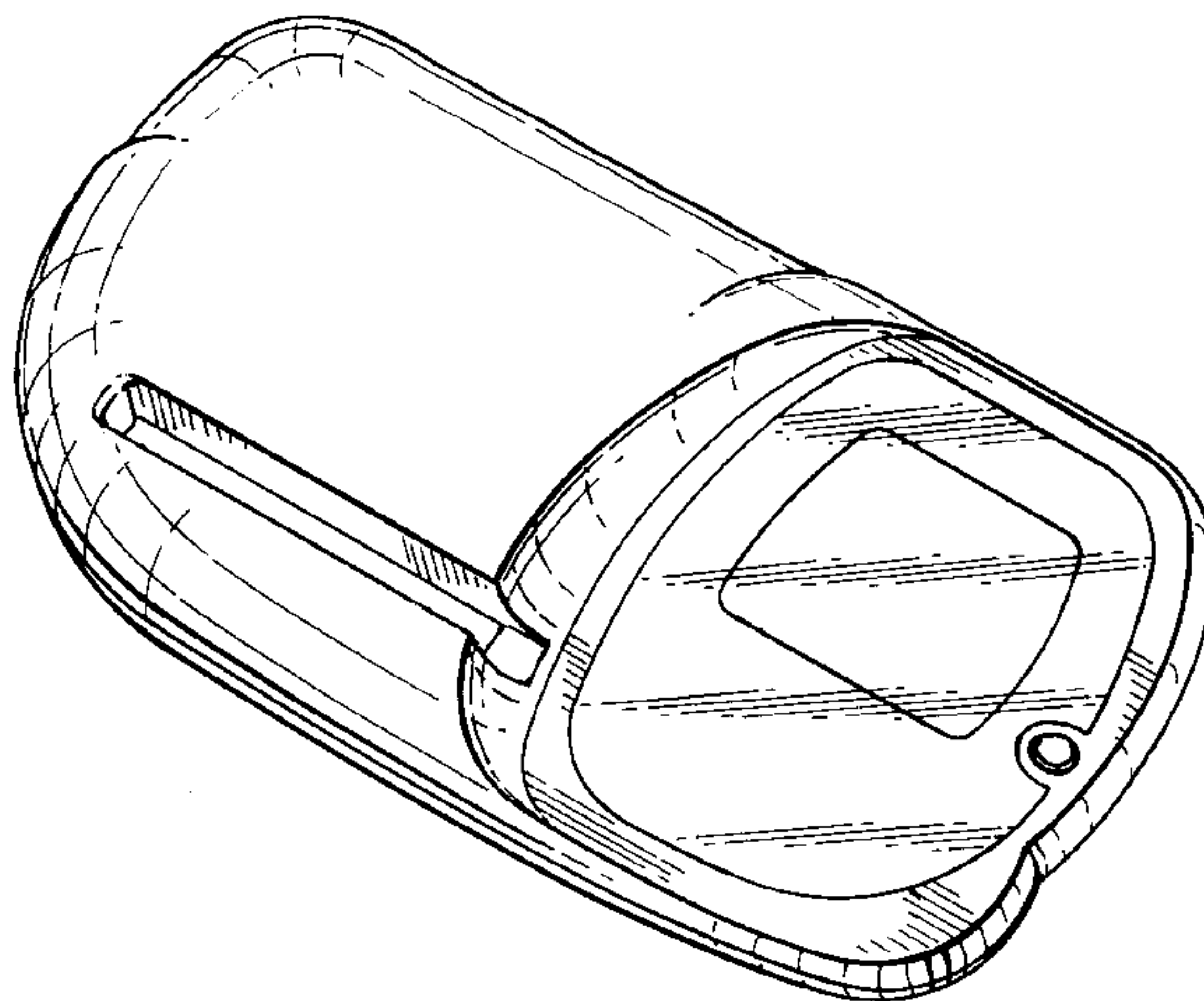
[57] **CLAIM**

The ornamental design for an electronic device for reading analytical tests, as shown and described.

**DESCRIPTION**

FIG. 1 is a top front and side perspective view of an electronic device for reading analytical tests showing our new design;  
FIG. 2 is a top rear and opposite side view;  
FIG. 3 is a view from below;  
FIG. 4 is a right side view;  
FIG. 5 is a left side view;  
FIG. 6 is a rear view; and,  
FIG. 7 is a front view.

**1 Claim, 3 Drawing Sheets**



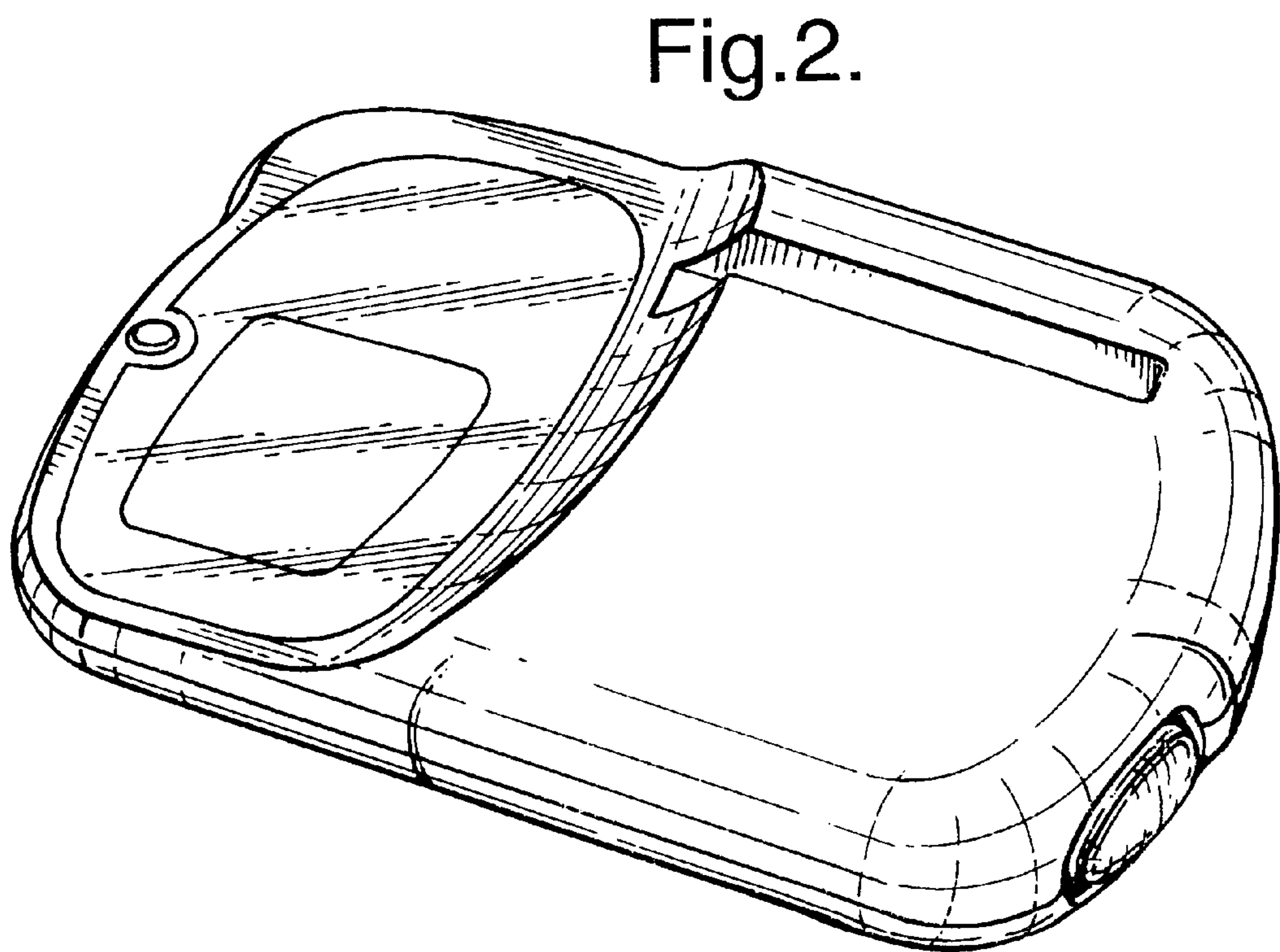
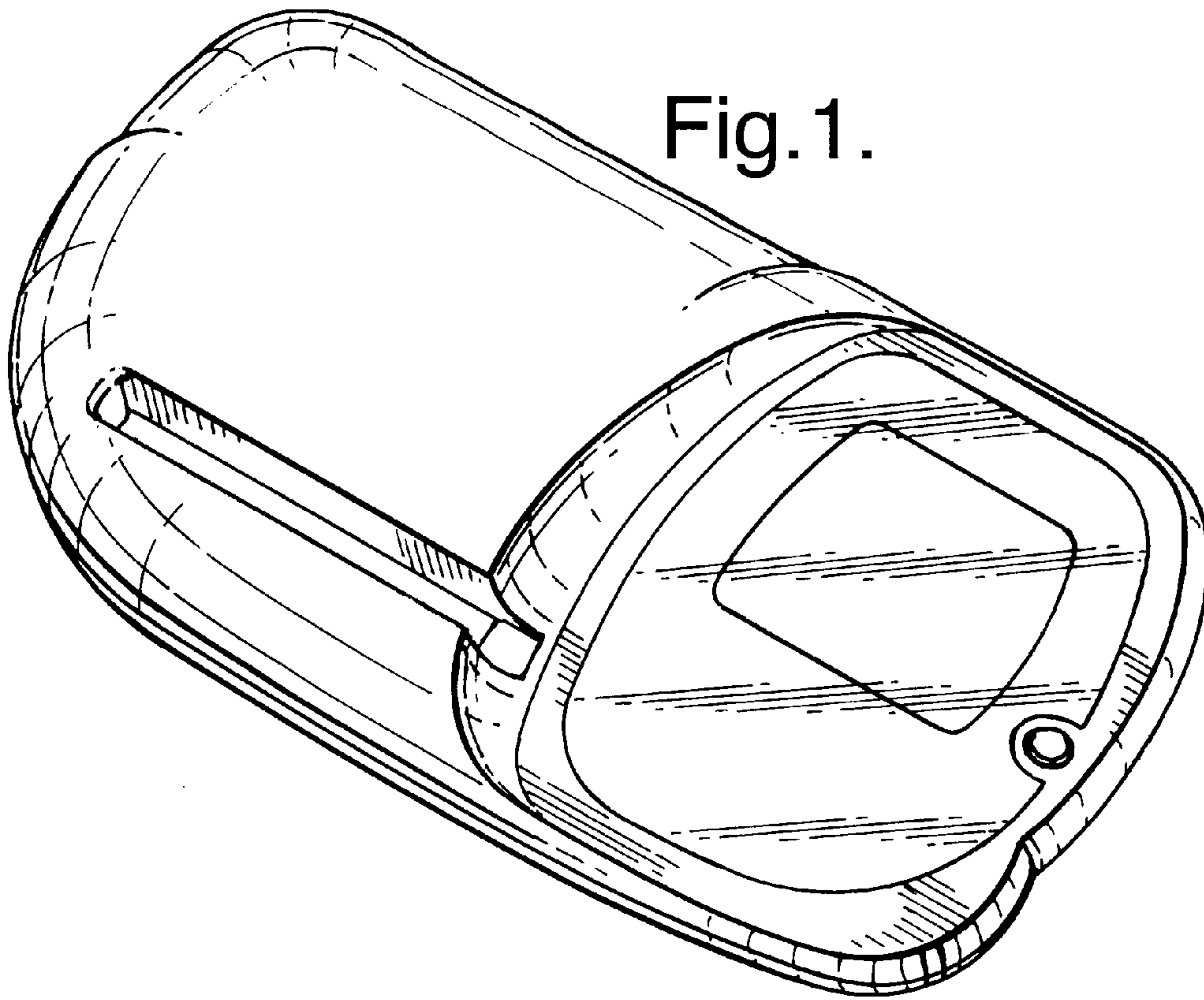


Fig.3.

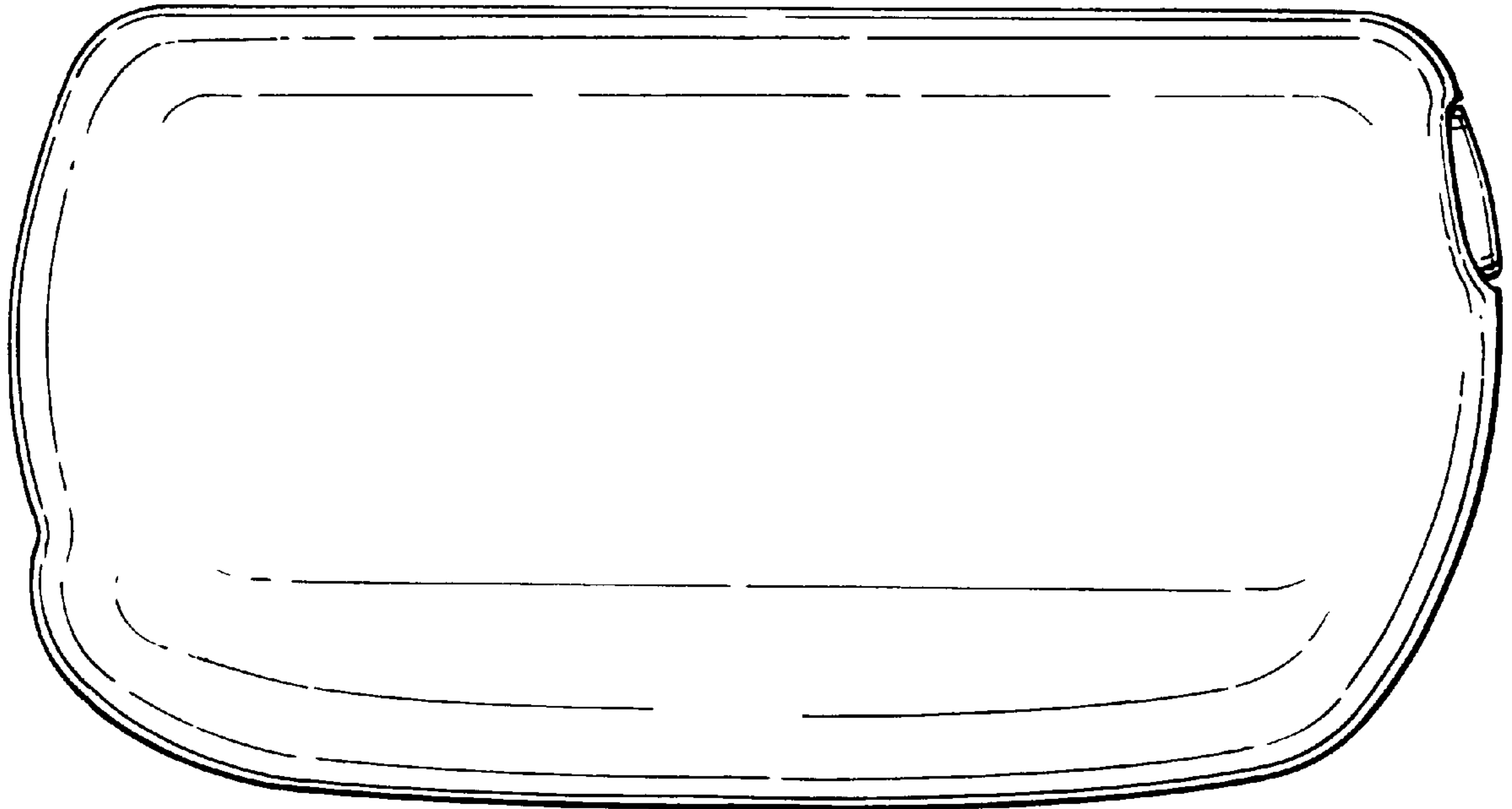


Fig.4.

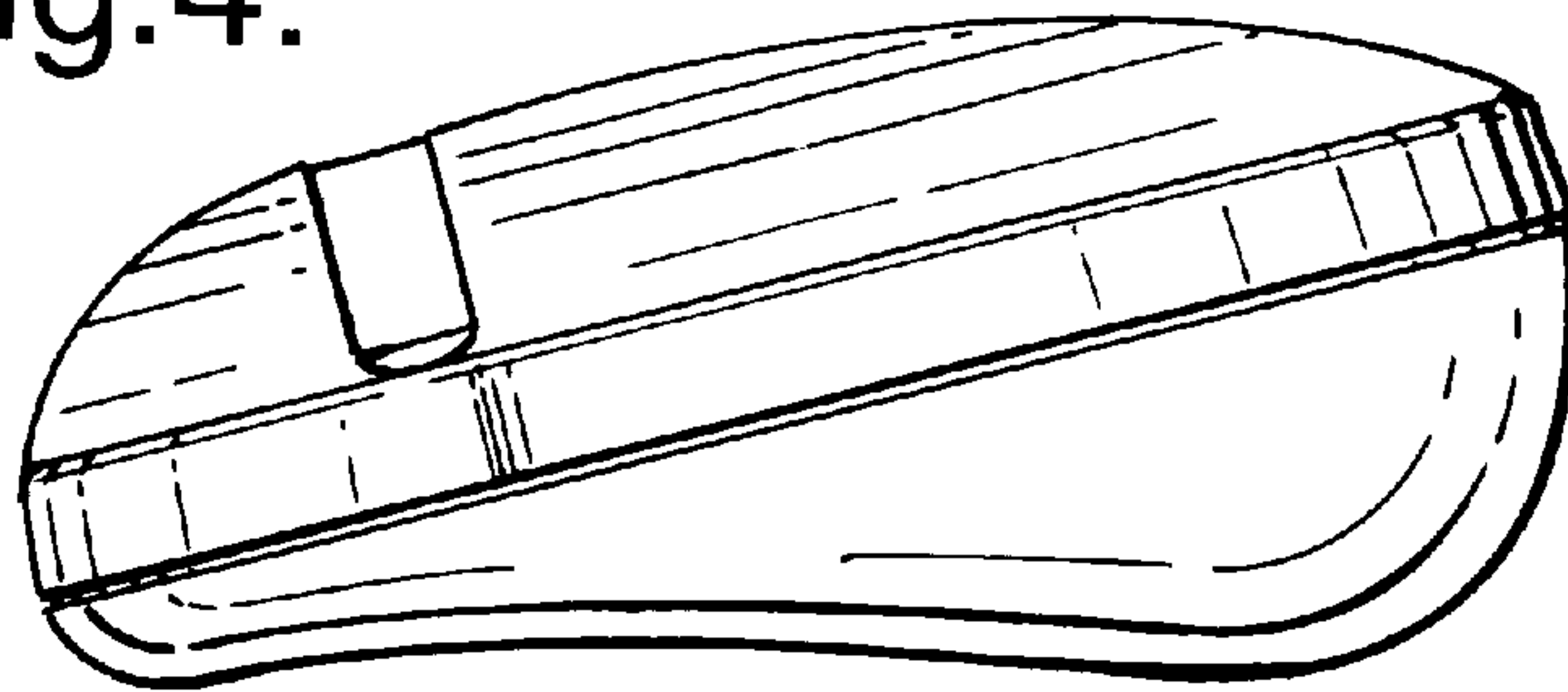


Fig.5.

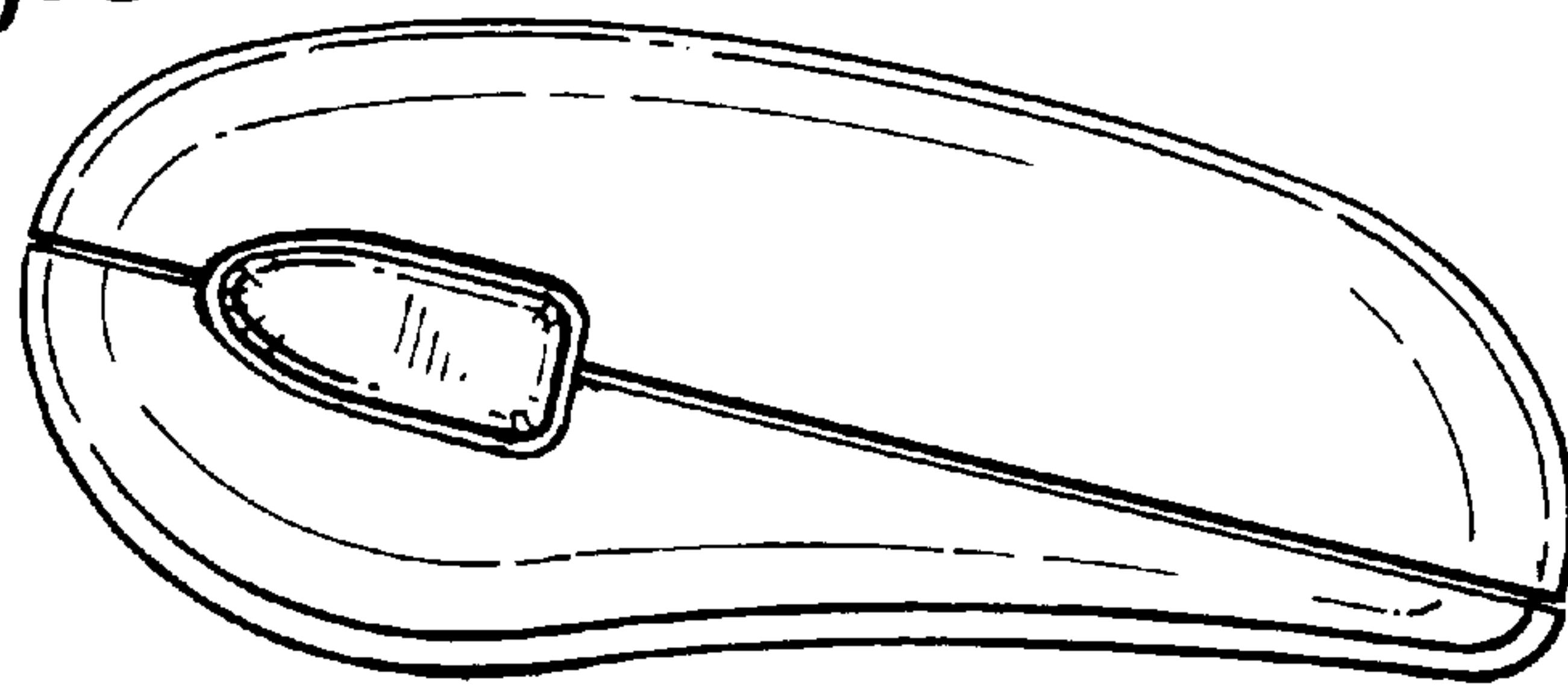


Fig.6.

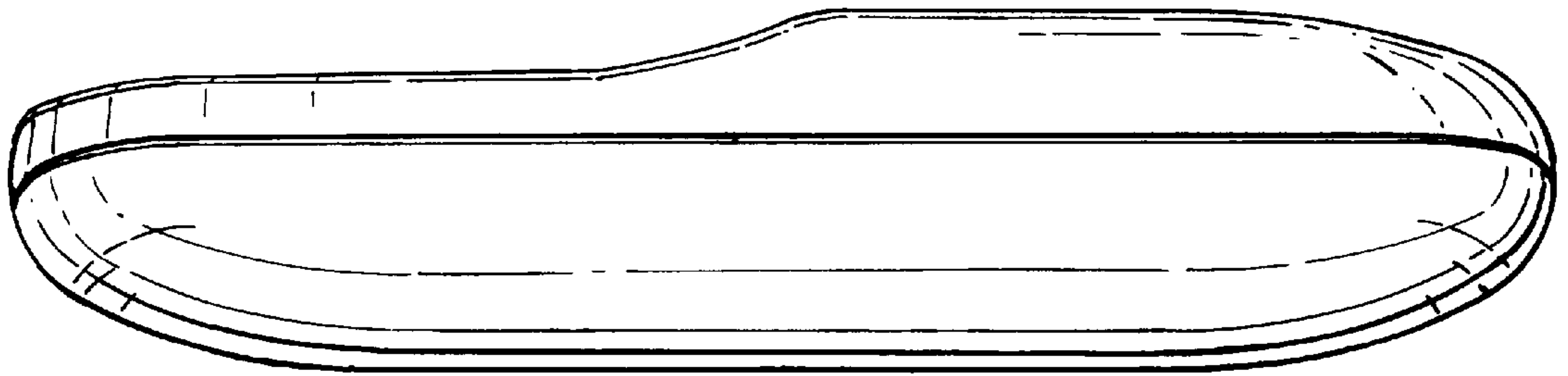


Fig.7.

