



US00D418117S

United States Patent [19]

Wade et al.

[11] Patent Number: Des. 418,117

[45] Date of Patent: ** Dec. 28, 1999

[54] COMPUTER

[75] Inventors: Adam C. Wade, Lake Forest, Calif.;
Hideto Iwamoto; Akira Izumi, both of
Tokyo, Japan

[73] Assignee: Mitsubishi Denki Kabushiki Kaisha,
Tokyo, Japan

[**] Term: 14 Years

[21] Appl. No.: 29/093,431

[22] Filed: Sep. 10, 1998

[51] LOC (6) Cl. 14-02

[52] U.S. Cl. D14/100

[58] Field of Search D14/100, 106,
D14/115; D18/1, 2, 7; D19/26, 52; 345/104,
156, 173, 901, 905; 364/708.1; 349/12;
434/307 R

[56] References Cited

U.S. PATENT DOCUMENTS

D. 340,701 10/1993 Takeuchi D14/100
D. 361,552 8/1995 Iino D14/100

FOREIGN PATENT DOCUMENTS

887554 1/1994 Japan .

909160 10/1994 Japan .
917891 1/1995 Japan .
934419 9/1995 Japan .
1012045 6/1998 Japan .
1013366 6/1998 Japan .

Primary Examiner—Freda Nunn
Attorney, Agent, or Firm—Oblon, Spivak, McClelland,
Maier & Neustadt, P.C.

[57] CLAIM

The ornamental design for a computer, as shown and described.

DESCRIPTION

FIG. 1 is a front elevational view of a computer, showing our new design;
FIG. 2 is a rear elevational view thereof;
FIG. 3 is a left side elevational view thereof;
FIG. 4 is a right side elevational view thereof;
FIG. 5 is a top plan view thereof;
FIG. 6 is a bottom plan view thereof;
FIG. 7 is a cross-sectional view thereof, taken along line 7-7 in FIG. 1, with the internal system omitted; and,
FIG. 8 is a front, top and right side perspective view thereof, with the input pen removed.

1 Claim, 4 Drawing Sheets

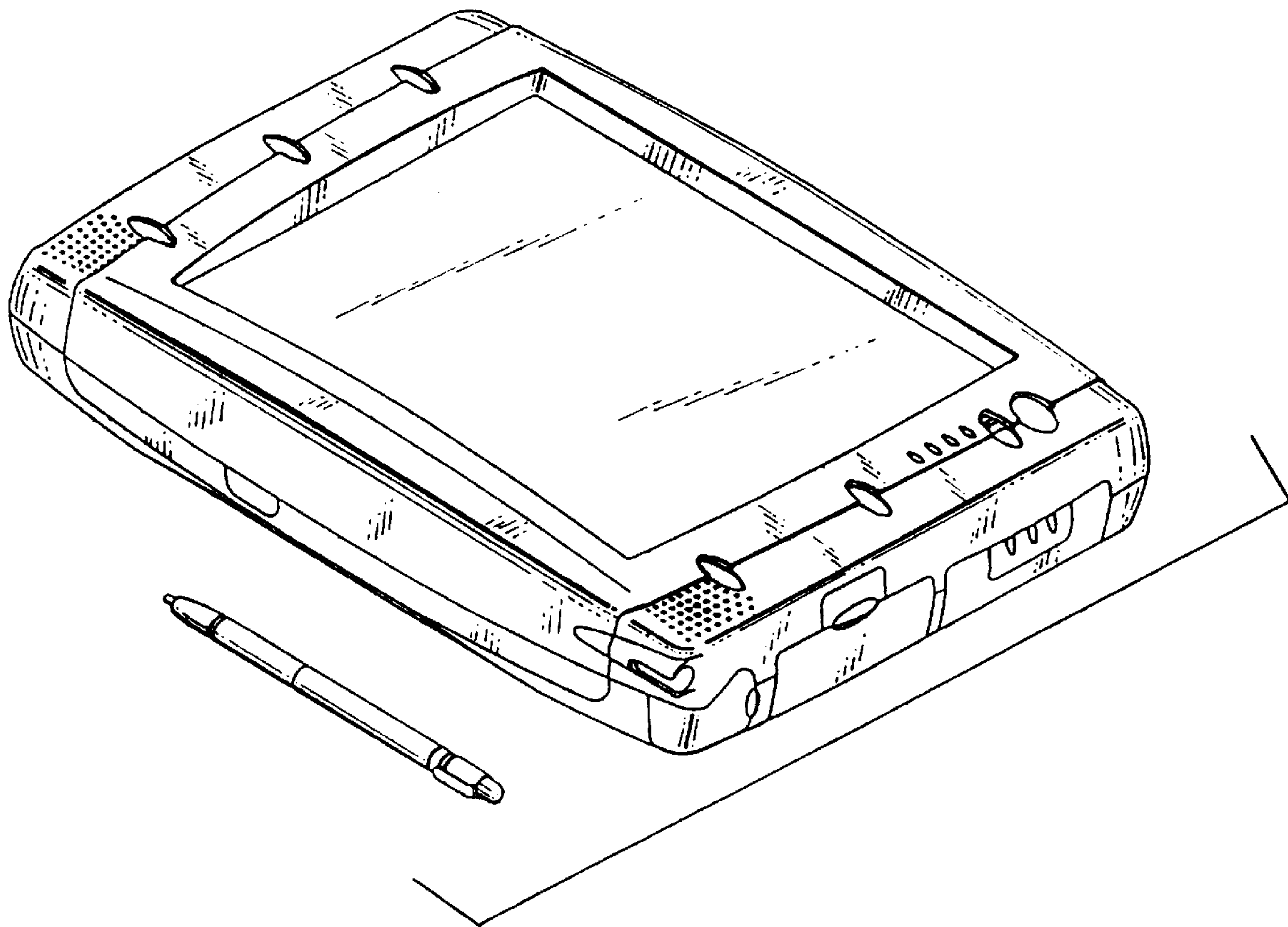


FIG. 1

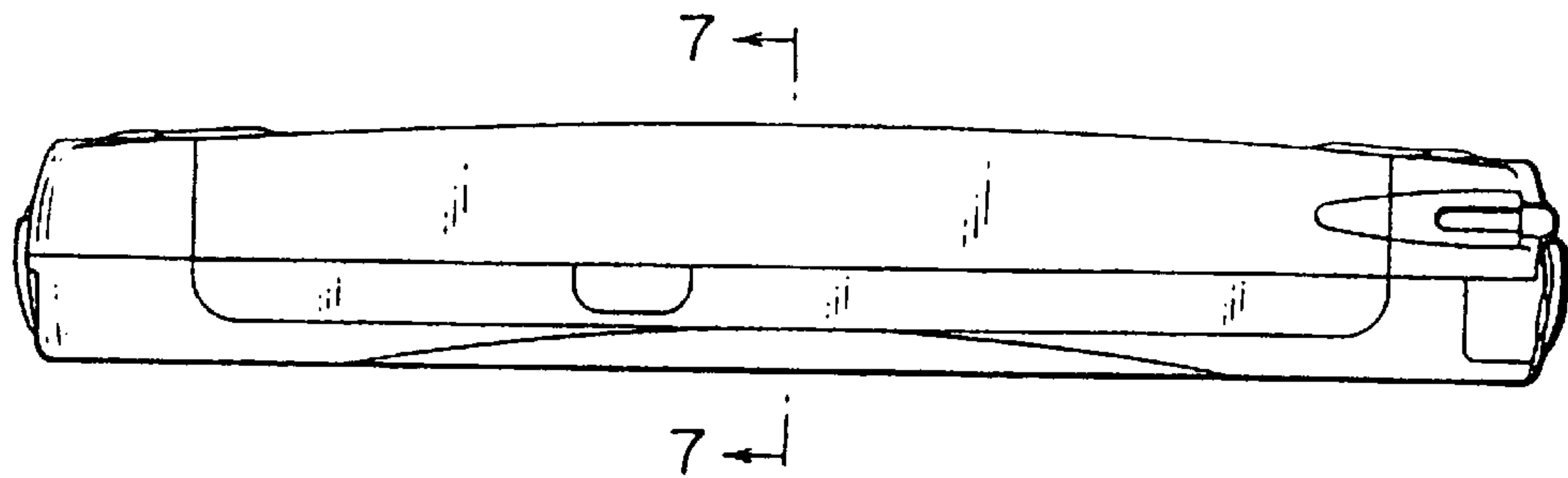


FIG. 2

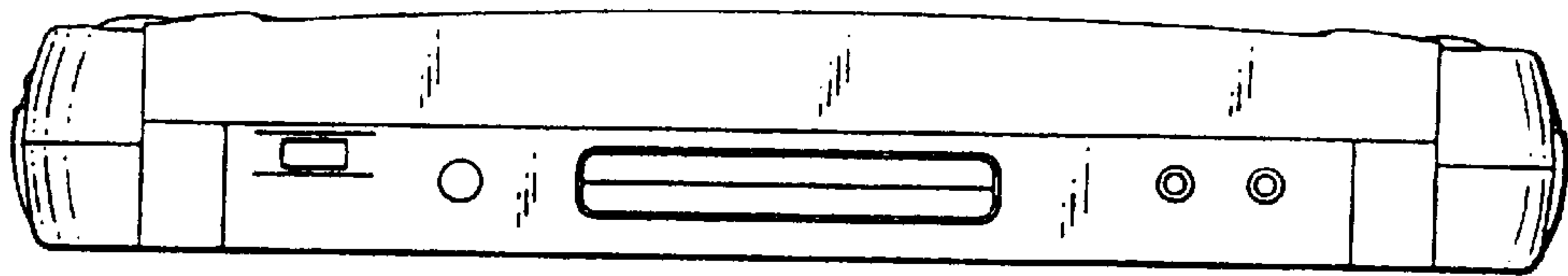


FIG. 3

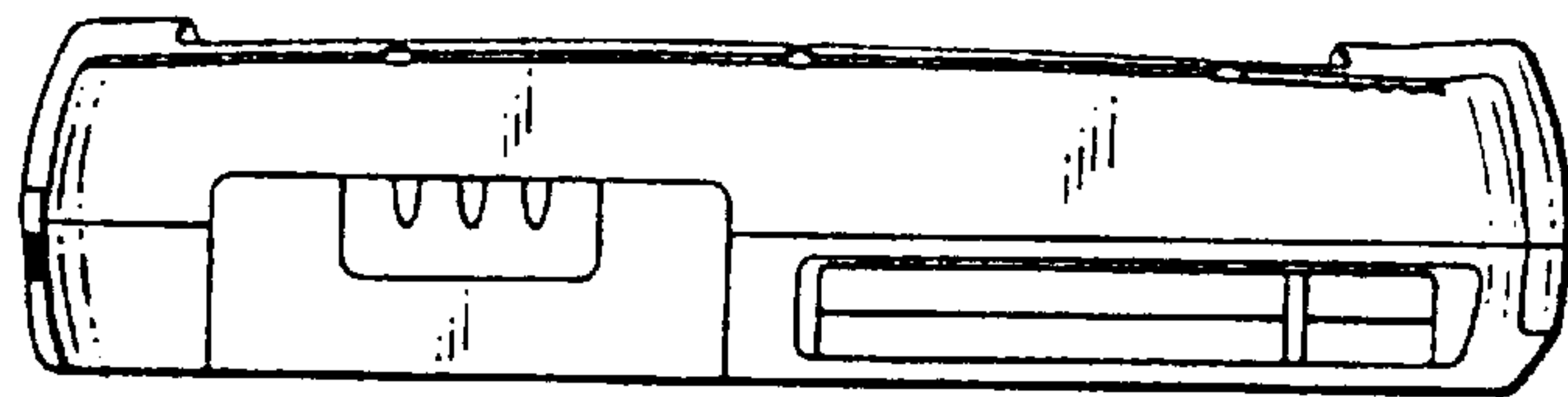


FIG. 4

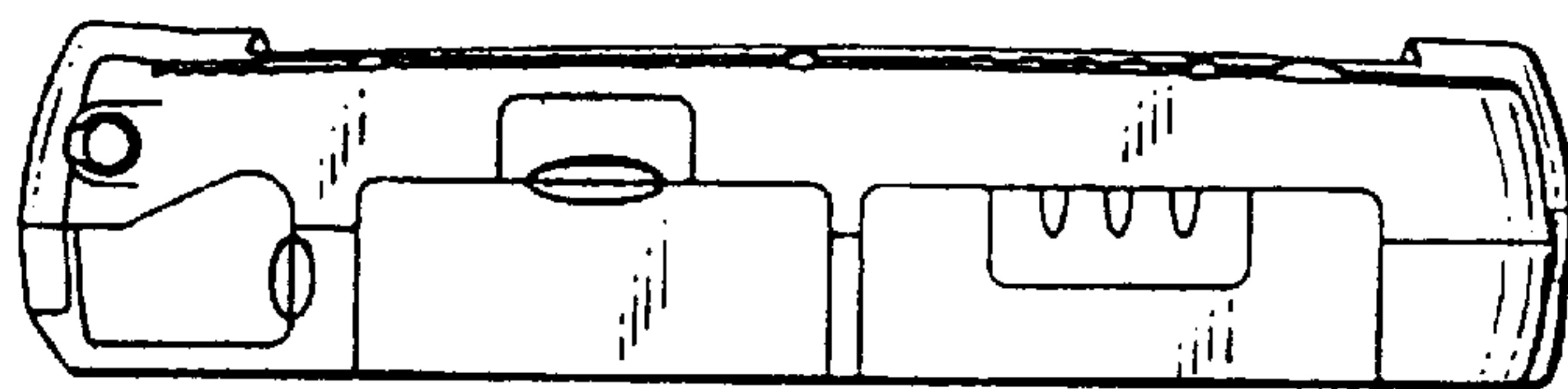


FIG. 5

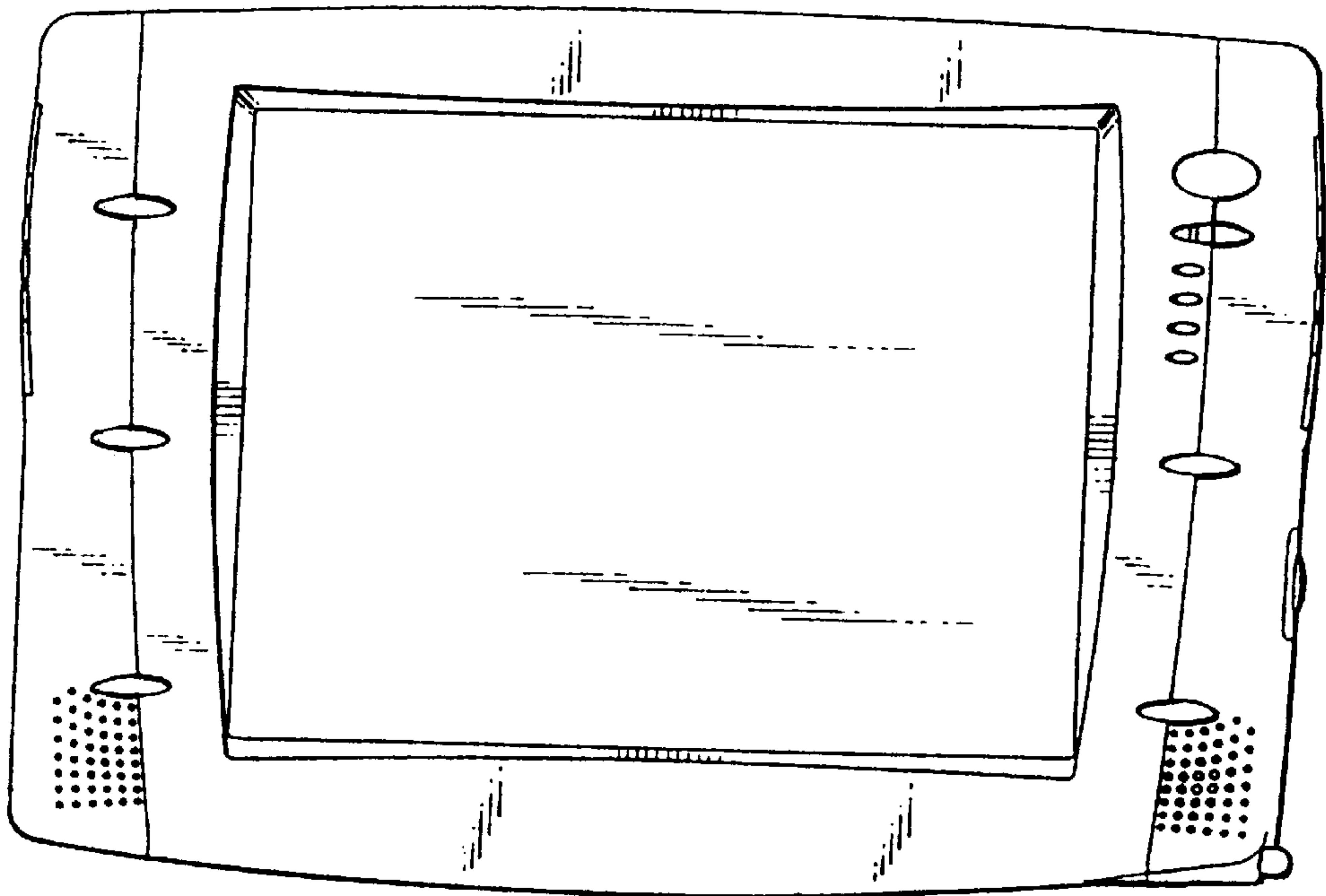


FIG. 6

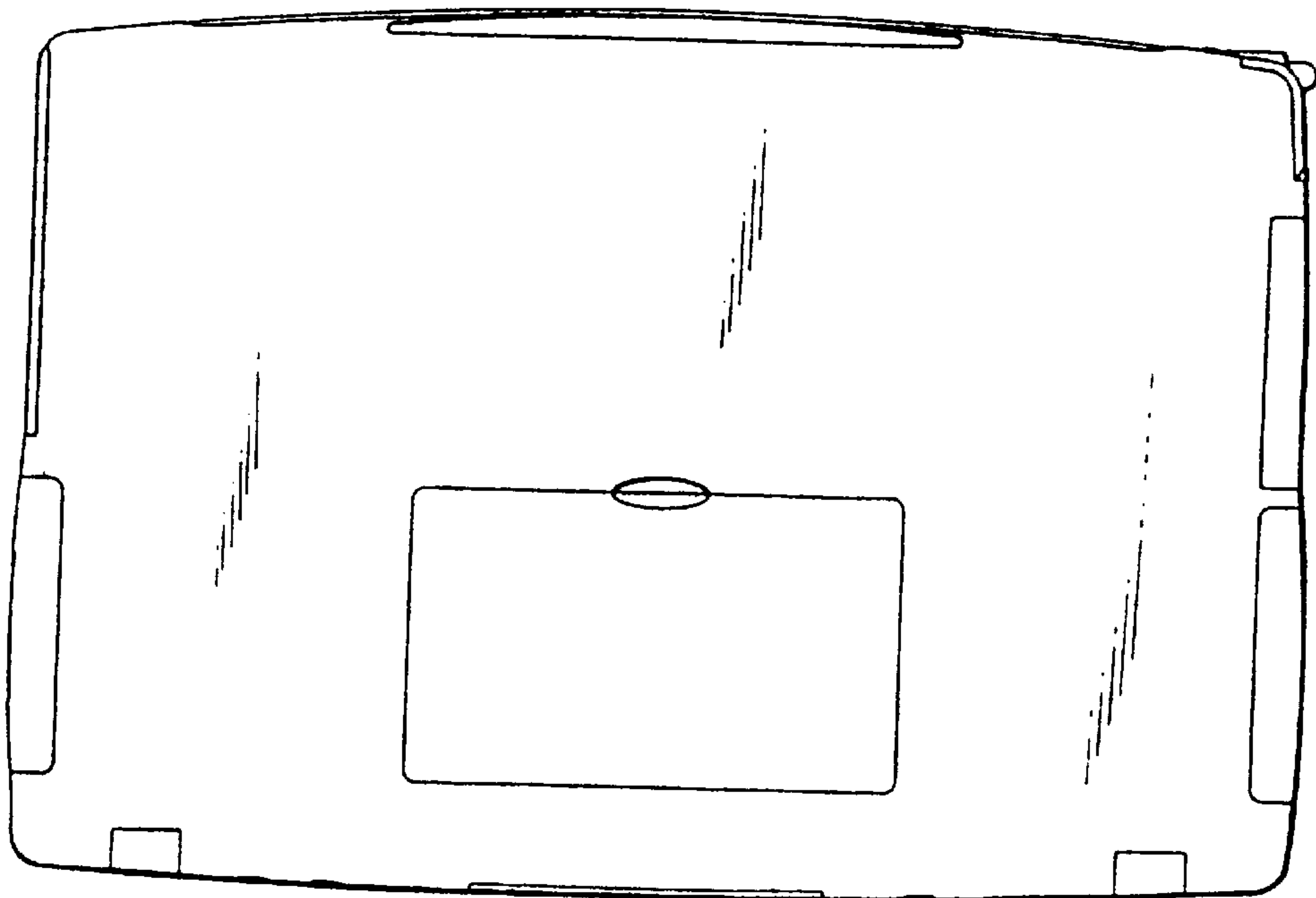


FIG. 7

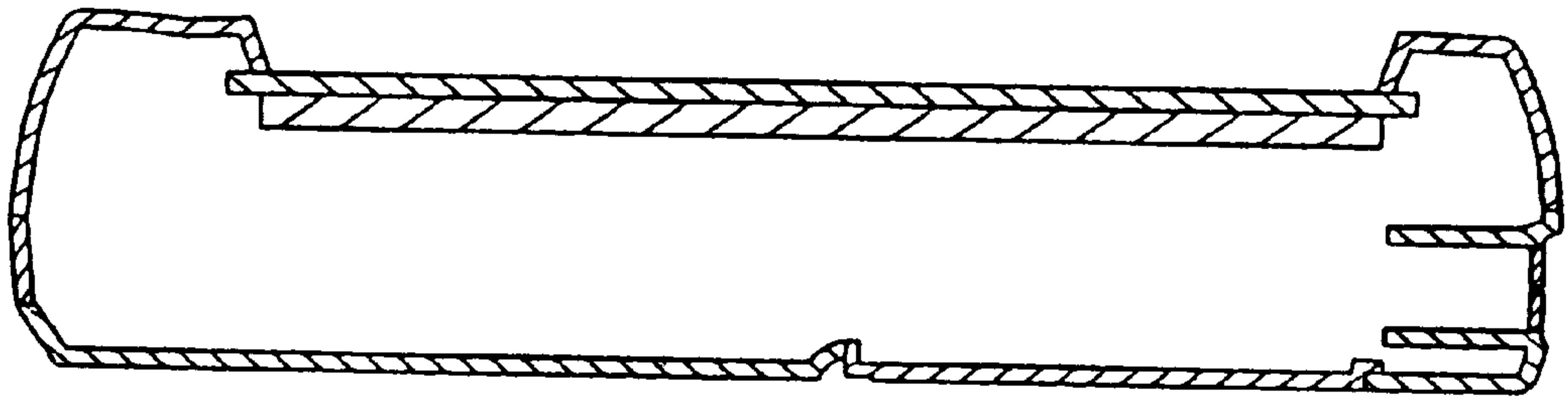


FIG. 8

