



US00D418113S

United States Patent [19]

Yanish et al.

[11] **Patent Number: Des. 418,113**

[45] **Date of Patent: ** Dec. 28, 1999**

[54] **CONNECTOR FACEPLATE FOR COMMUNICATION LINES**

| | | | |
|-----------|--------|----------------|----------|
| 4,742,541 | 5/1988 | Cwirzen et al. | 174/60 X |
| 5,497,893 | 3/1996 | Mangone, Jr. | 220/3.8 |
| 5,731,545 | 3/1998 | Reed | 174/66 |

[75] Inventors: **David M. Yanish**, Conifer; **Peter Kubisa**, Littleton; **Peter J. Lotinsky**, Denver, all of Colo.

Primary Examiner—Joel Sincavage
Attorney, Agent, or Firm—McGlew and Tuttle, P.C.

[73] Assignee: **Krone Aktiengesellschaft**, Berlin-Zehlendorf, Germany

[57] **CLAIM**

The ornamental design for a connector faceplate for communication lines, as shown and described.

[**] Term: **14 Years**

DESCRIPTION

[21] Appl. No.: **29/090,305**

FIG. 1 is a front view of a connector faceplate for communication lines showing our new design. The appearance from the rear forms no part of the claimed design;

[22] Filed: **Jul. 6, 1998**

FIG. 2 is a top view thereof;

[51] **LOC (6) Cl.** **13-02**

[52] **U.S. Cl.** **D13/152**

[58] **Field of Search** D13/154, 156, D13/152, 184; D14/240; 220/3.8, 241; 174/66, 60

FIG. 3 is a left side view thereof, the right side view thereof being a mirror image;

FIG. 4 is a top left perspective view of the present invention; and,

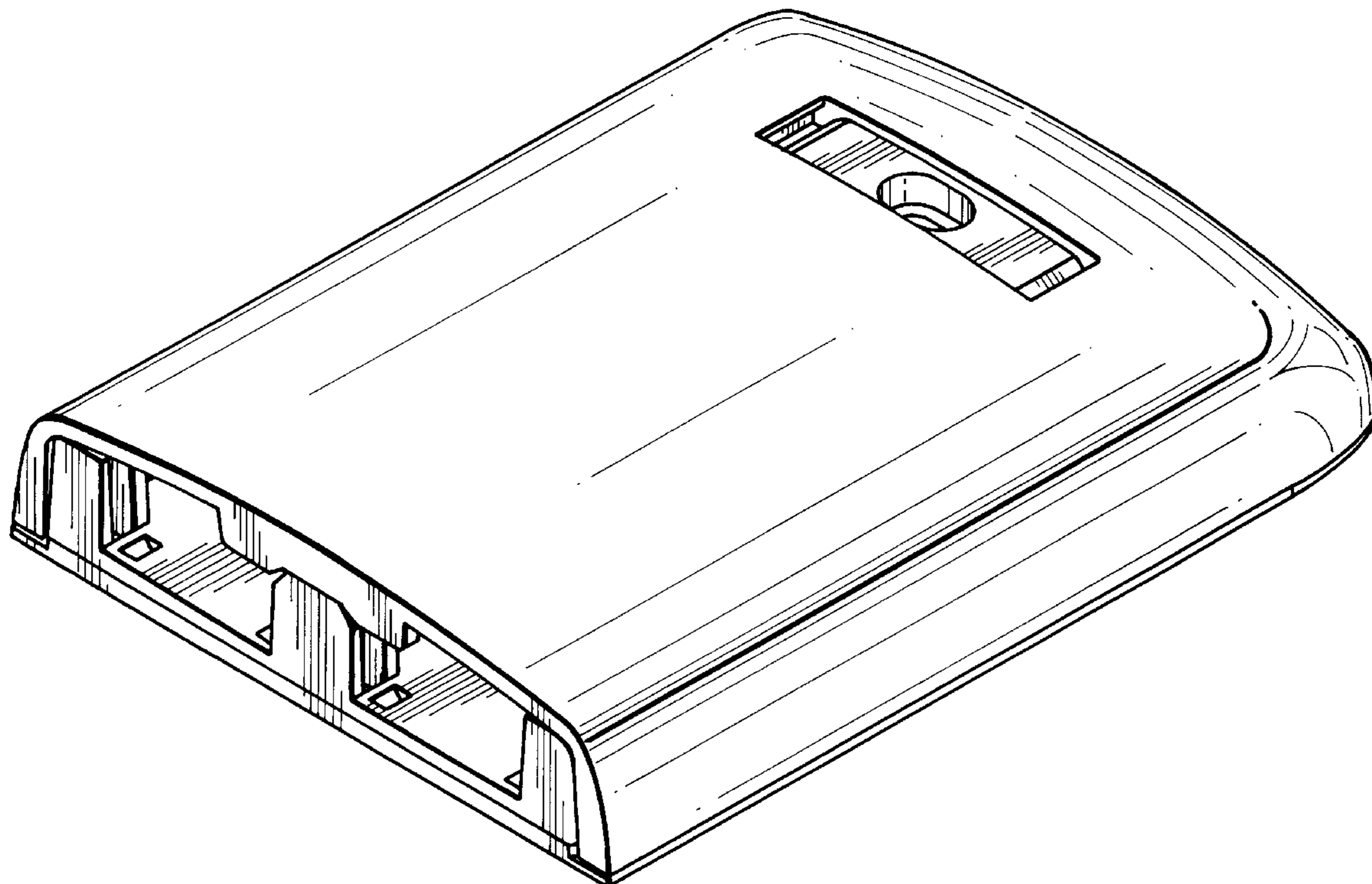
FIG. 5 is a bottom right perspective view of the present invention.

[56] **References Cited**

U.S. PATENT DOCUMENTS

D. 377,339 1/1997 Beruscha et al. D13/184

1 Claim, 5 Drawing Sheets



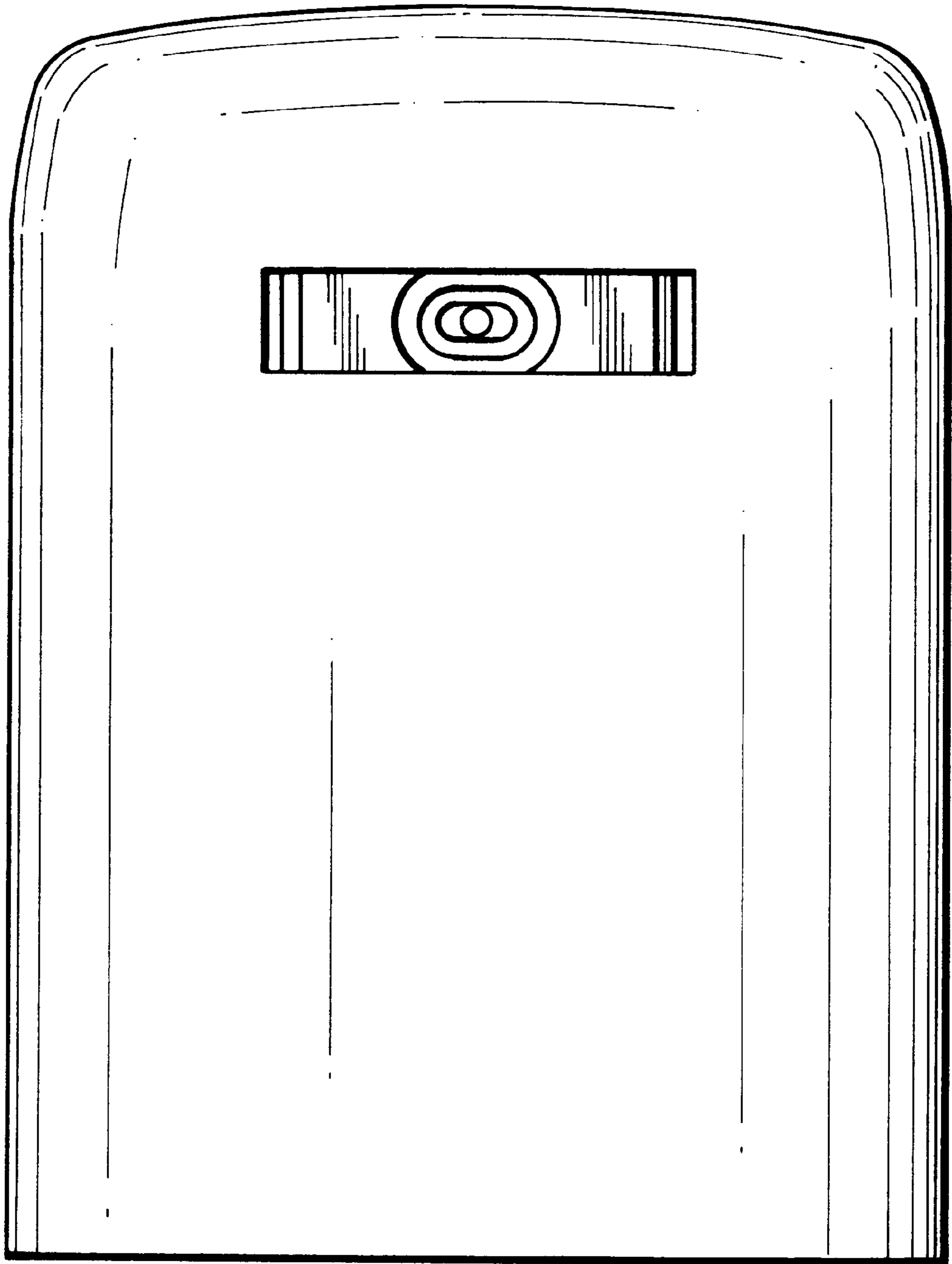


FIG. 1

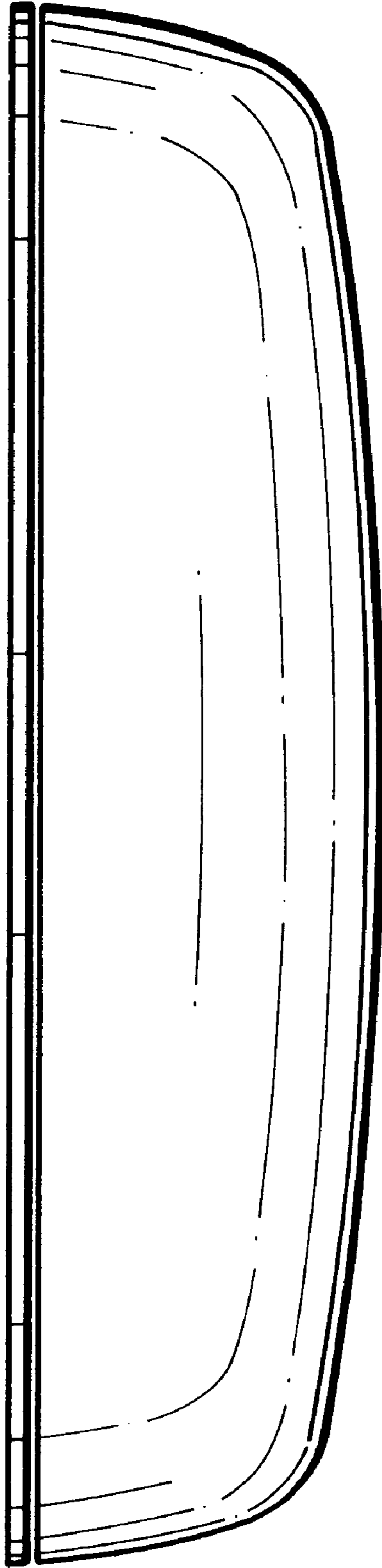


FIG. 2

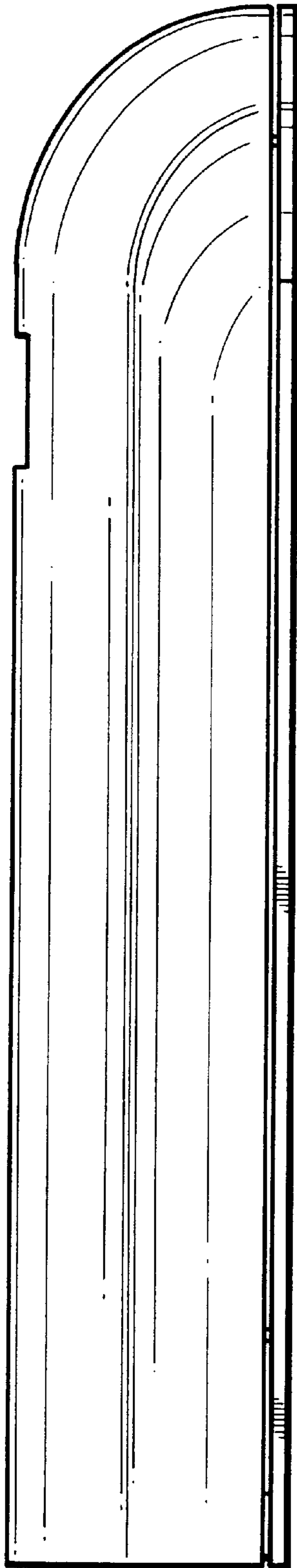


FIG. 3

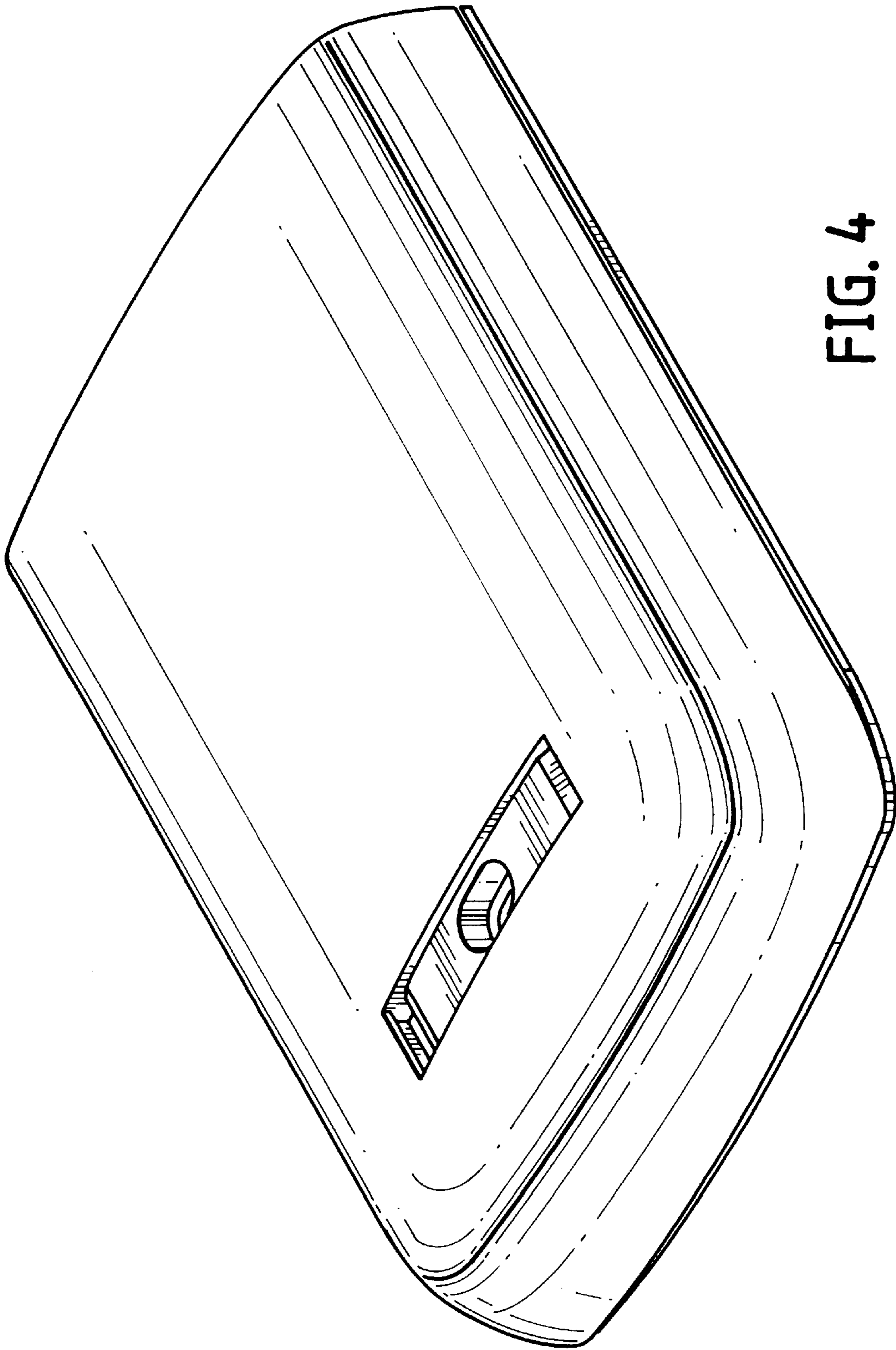


FIG. 4

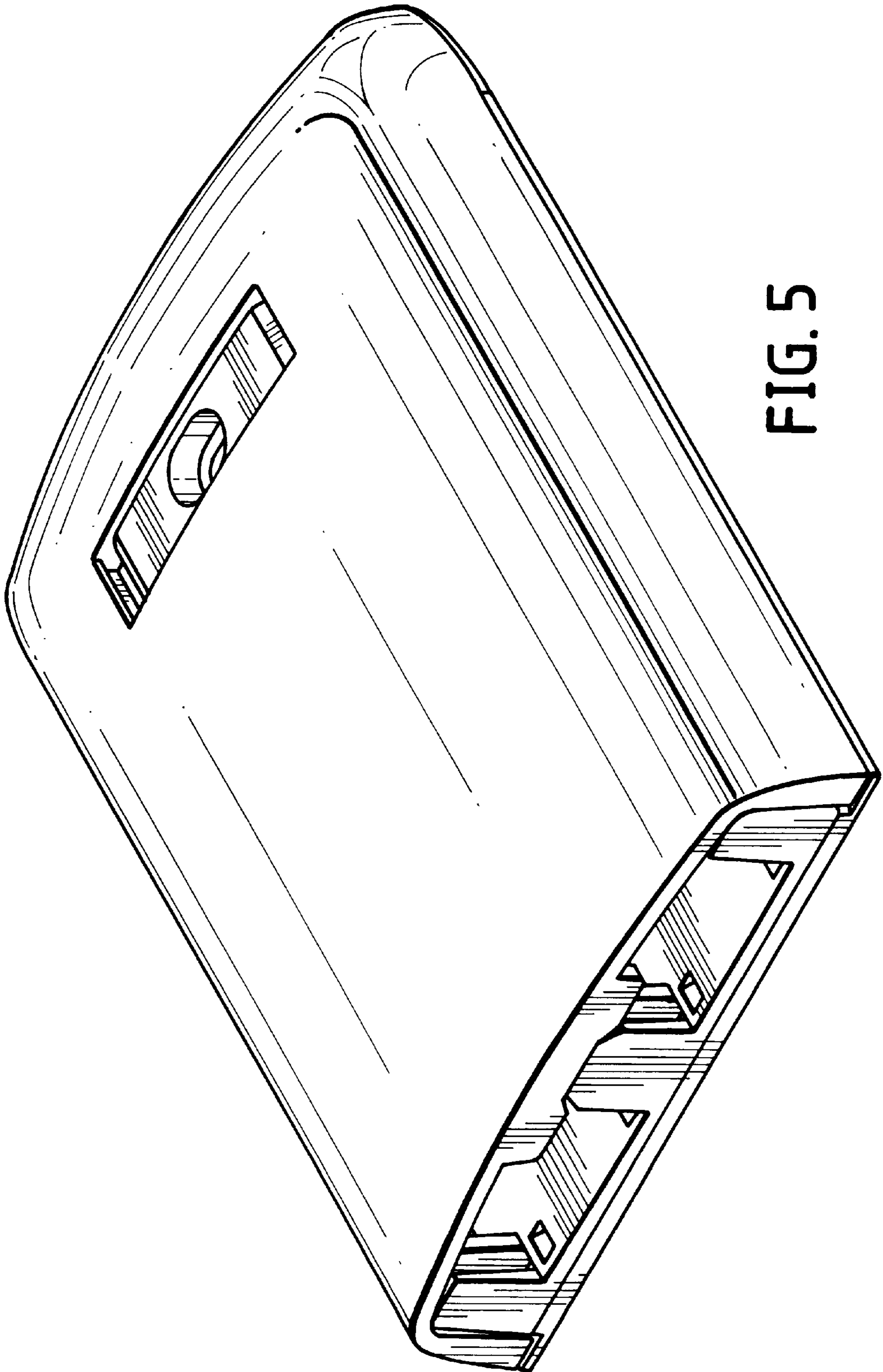


FIG. 5