



US00D418112S

United States Patent [19]
Lin

[11] **Patent Number: Des. 418,112**

[45] **Date of Patent: ** Dec. 28, 1999**

[54] **MODULAR CONNECTOR WITH TERMINATION CAP**

[75] Inventor: **Mike H. Lin**, Cerritos, Calif.

[73] Assignee: **International Connectors & Cable Corporation**, Cerritos, Calif.

[**] Term: **14 Years**

[21] Appl. No.: **29/087,979**

[22] Filed: **May 13, 1998**

[51] **LOC (6) Cl.** **13-03**

[52] **U.S. Cl.** **D13/147; D13/147**

[58] **Field of Search** **D13/147; D14/256; 439/344, 552, 557, 676, 358, 521, 718**

[56] **References Cited**

U.S. PATENT DOCUMENTS

D. 400,178	10/1998	Lin	D13/147
4,904,209	2/1990	Nelson	439/676
5,571,035	11/1996	Ferrill	439/676 X
5,624,274	4/1997	Lin	439/676 X

OTHER PUBLICATIONS

ICC's Solutions—Exclusive Newsletter for Authorized ICC Distributors dated Sep. 1996.
ICC's Elite Series flyer published more than one year prior to the filing date.

Primary Examiner—Joel Sincavage
Attorney, Agent, or Firm—Christie, Parker & Hale, LLP

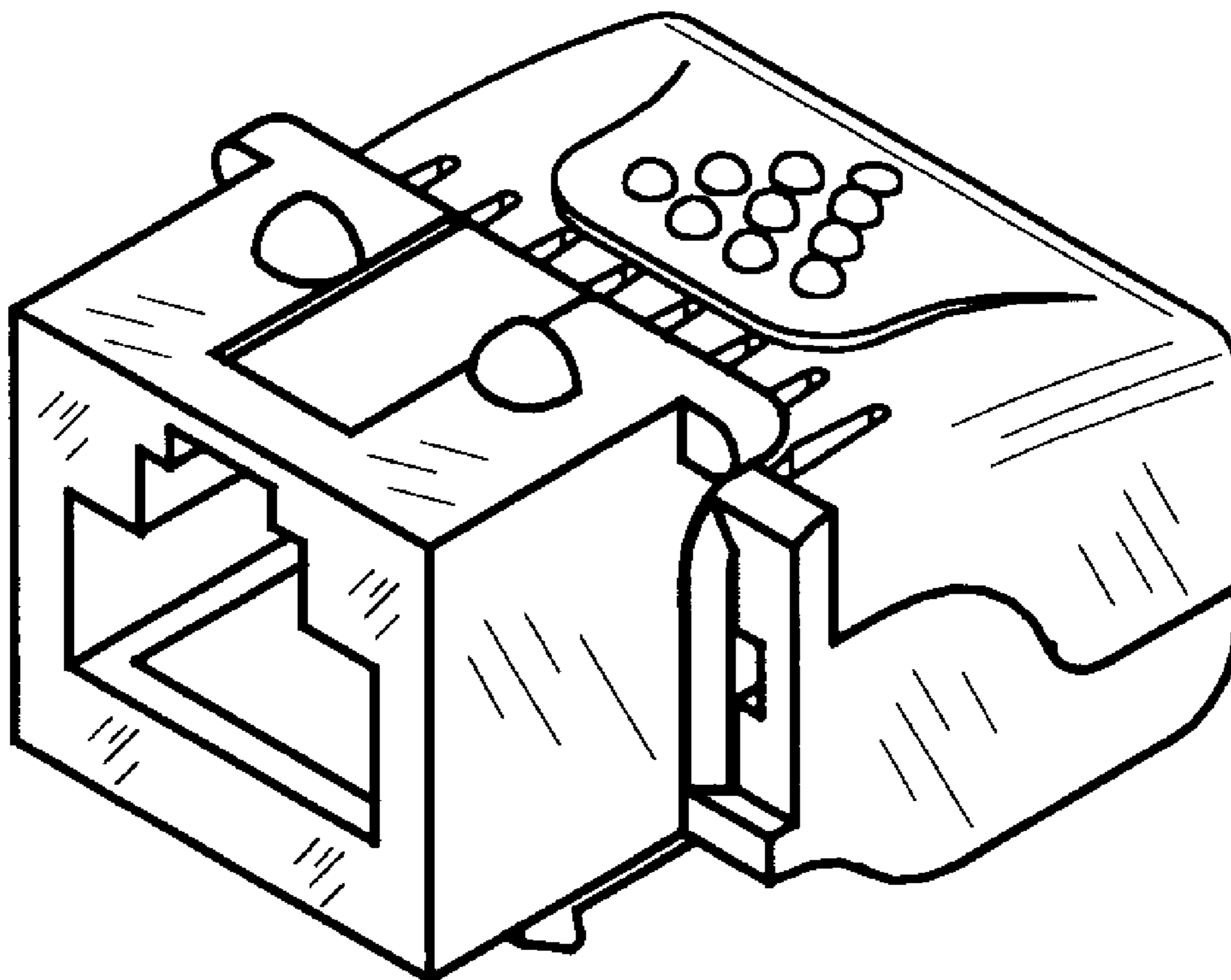
[57] **CLAIM**

I claim the ornamental design for a modular connector with termination cap, as shown and described.

DESCRIPTION

FIG. 1 is a top perspective view of the modular connector with termination cap of the present invention;
FIG. 2 is a bottom perspective view of the modular connector with termination cap of the present invention;
FIG. 3 is a top view thereof;
FIG. 4 is a side view thereof the opposite side being a mirror image;
FIG. 5 is a front view thereof;
FIG. 6 is a back view thereof; and,
FIG. 7 is a bottom view thereof.

1 Claim, 2 Drawing Sheets



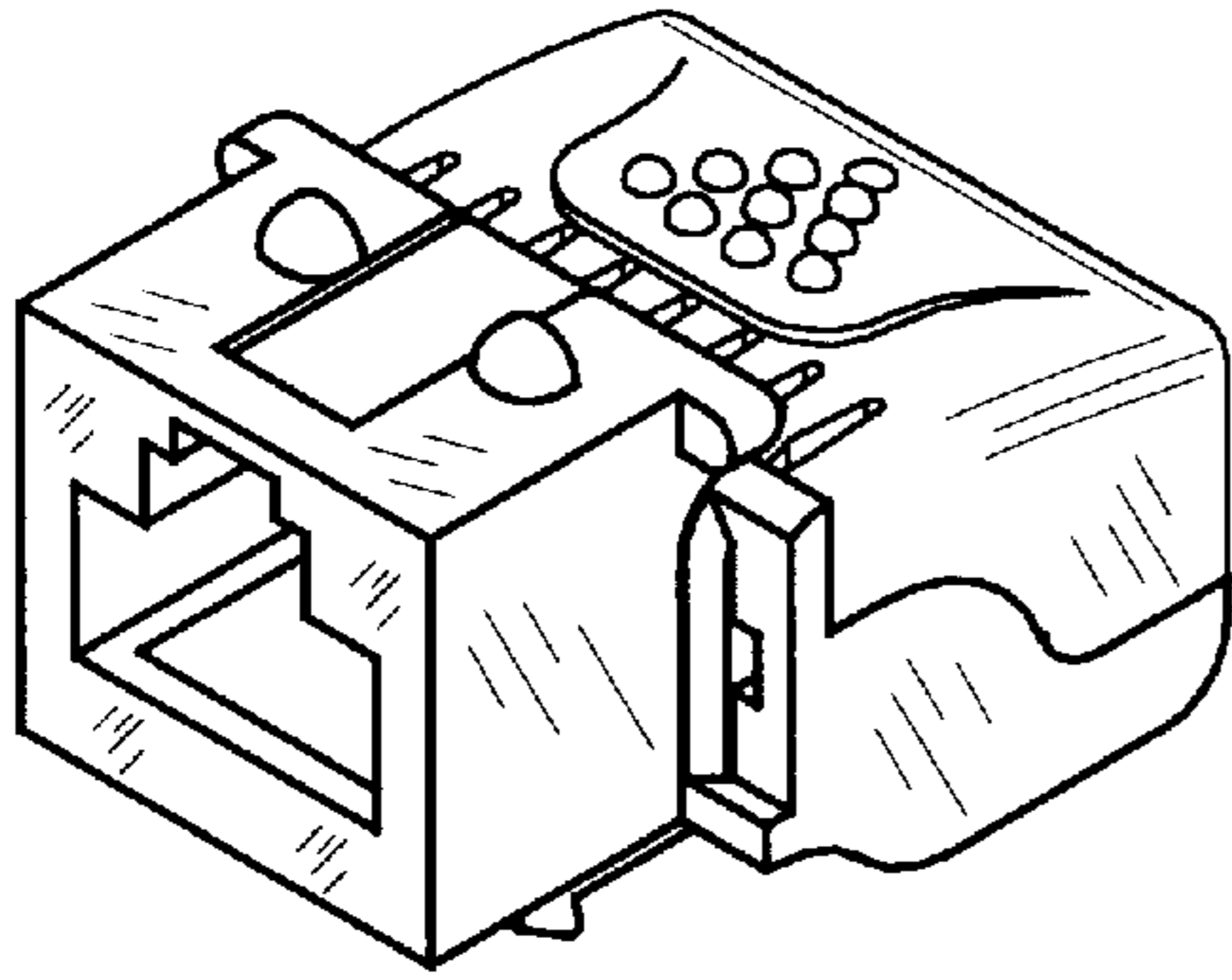


FIG. 1

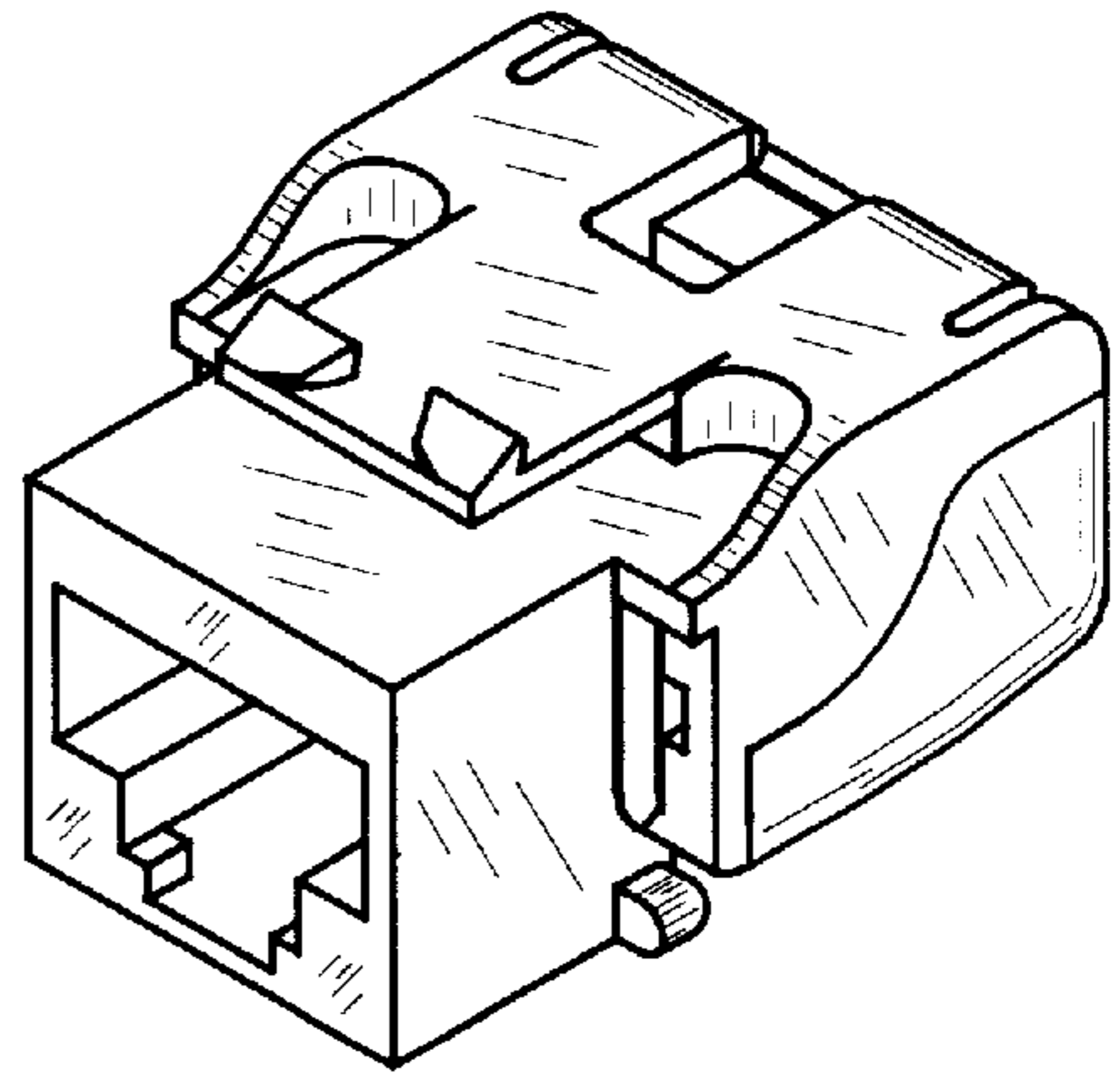


FIG. 2

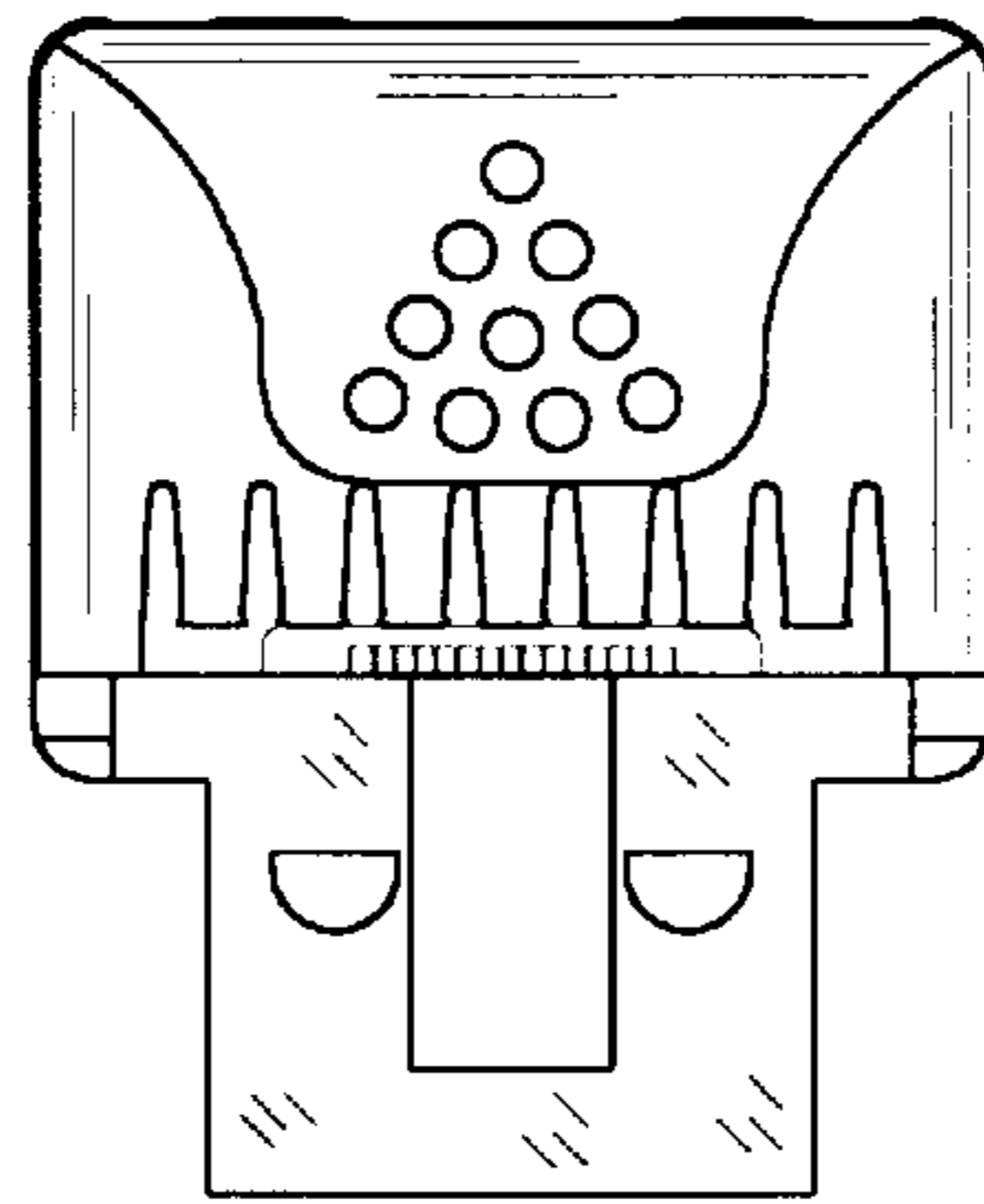


FIG. 3

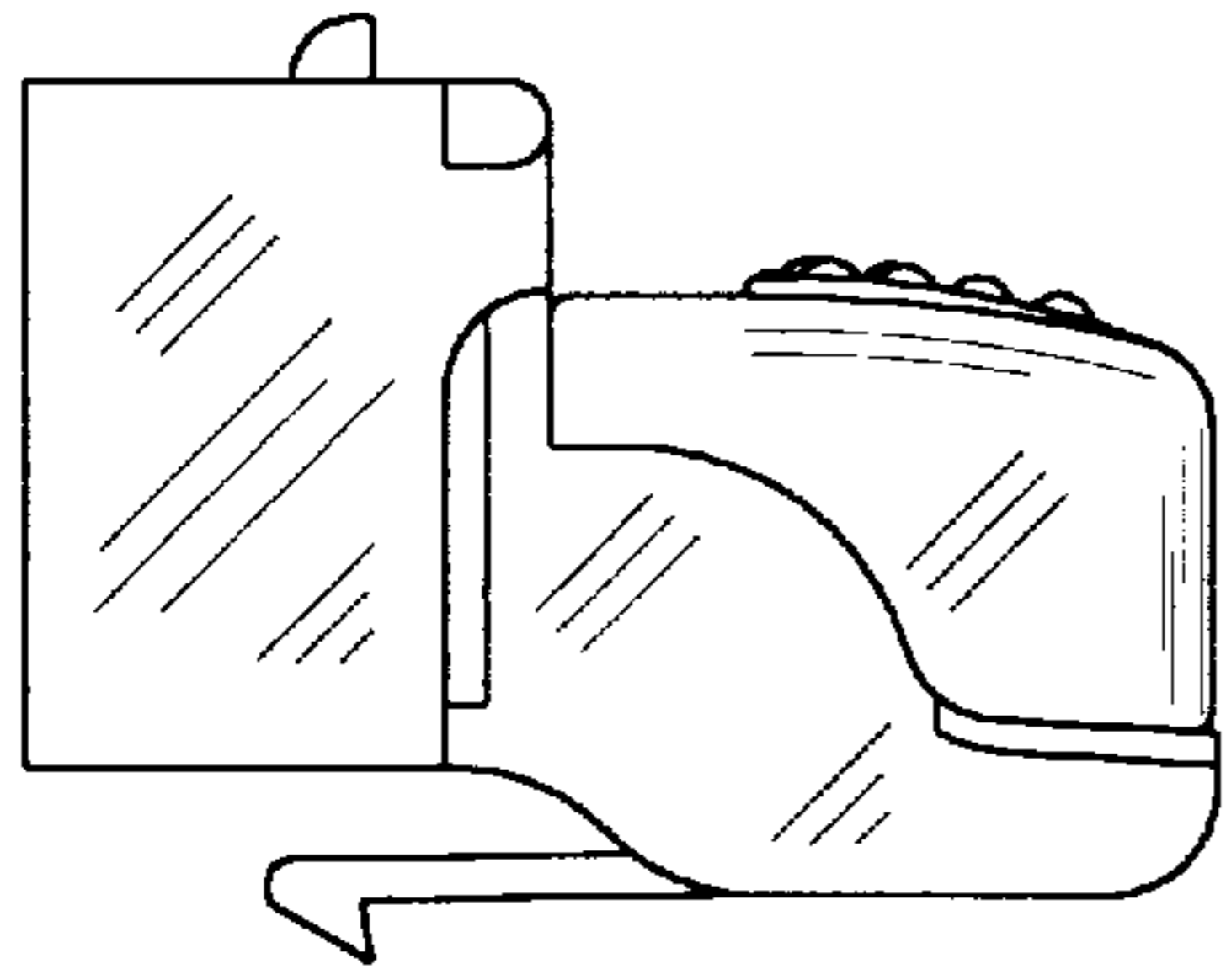


FIG. 4

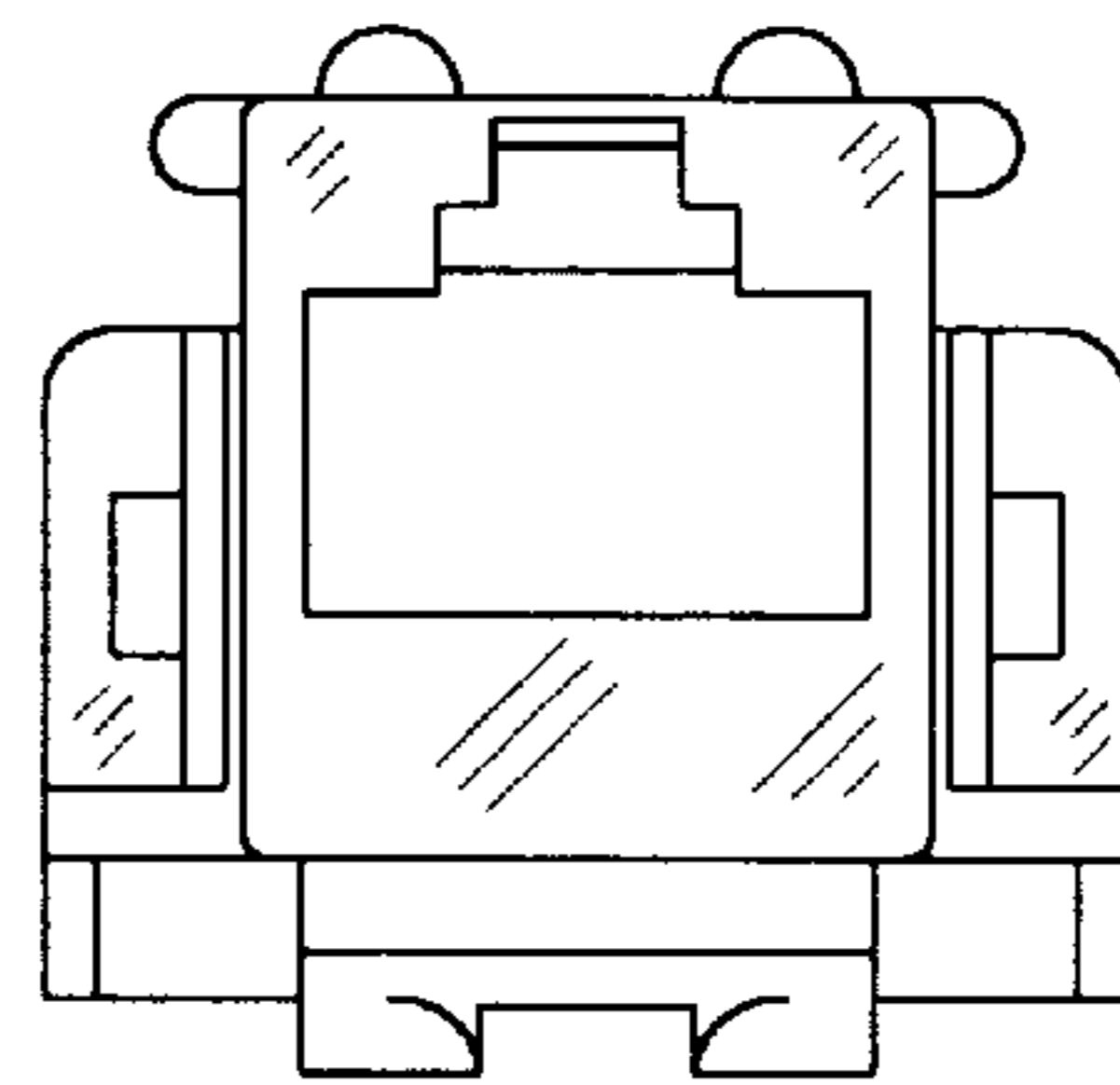


FIG. 5

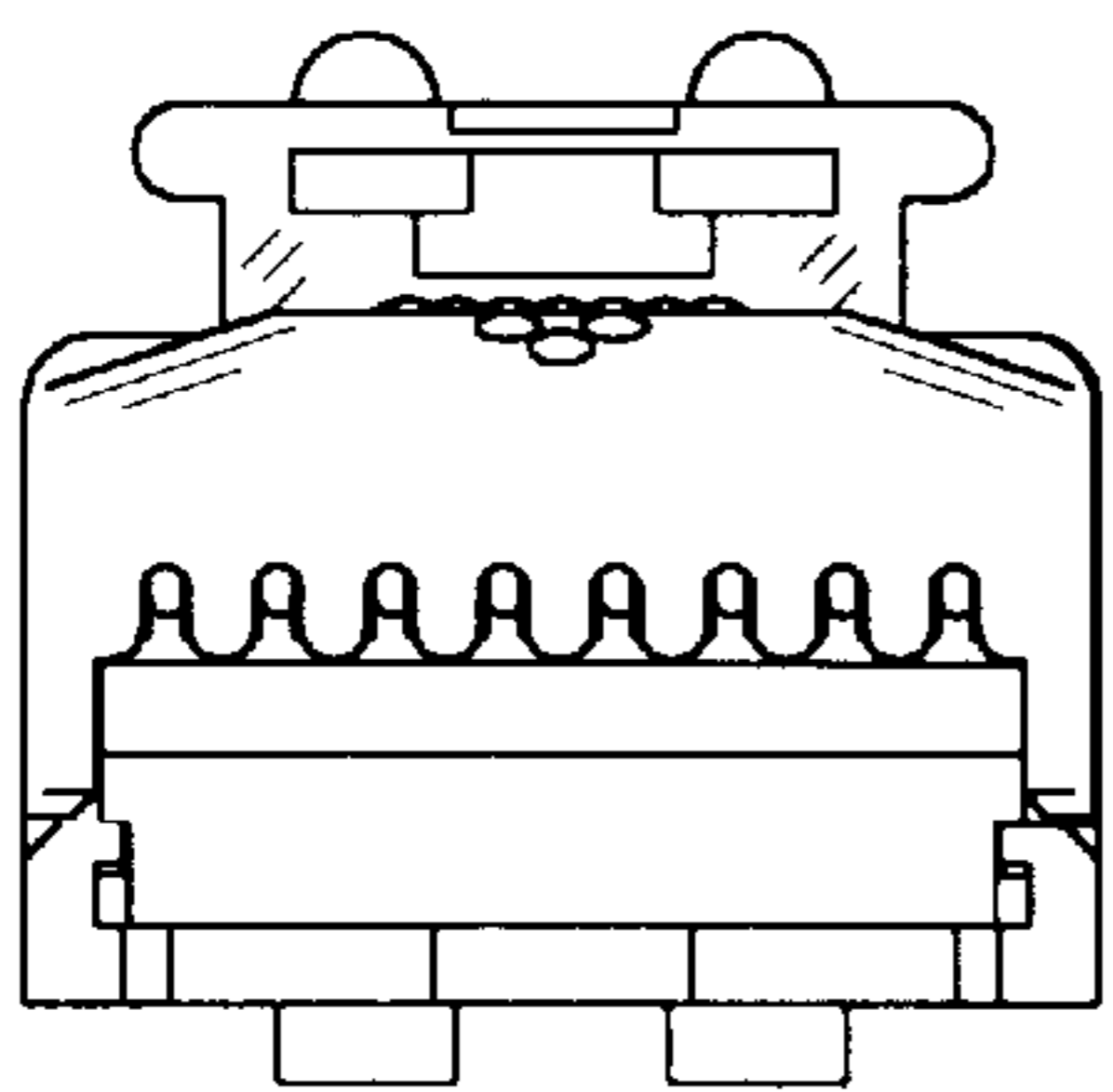


FIG. 6

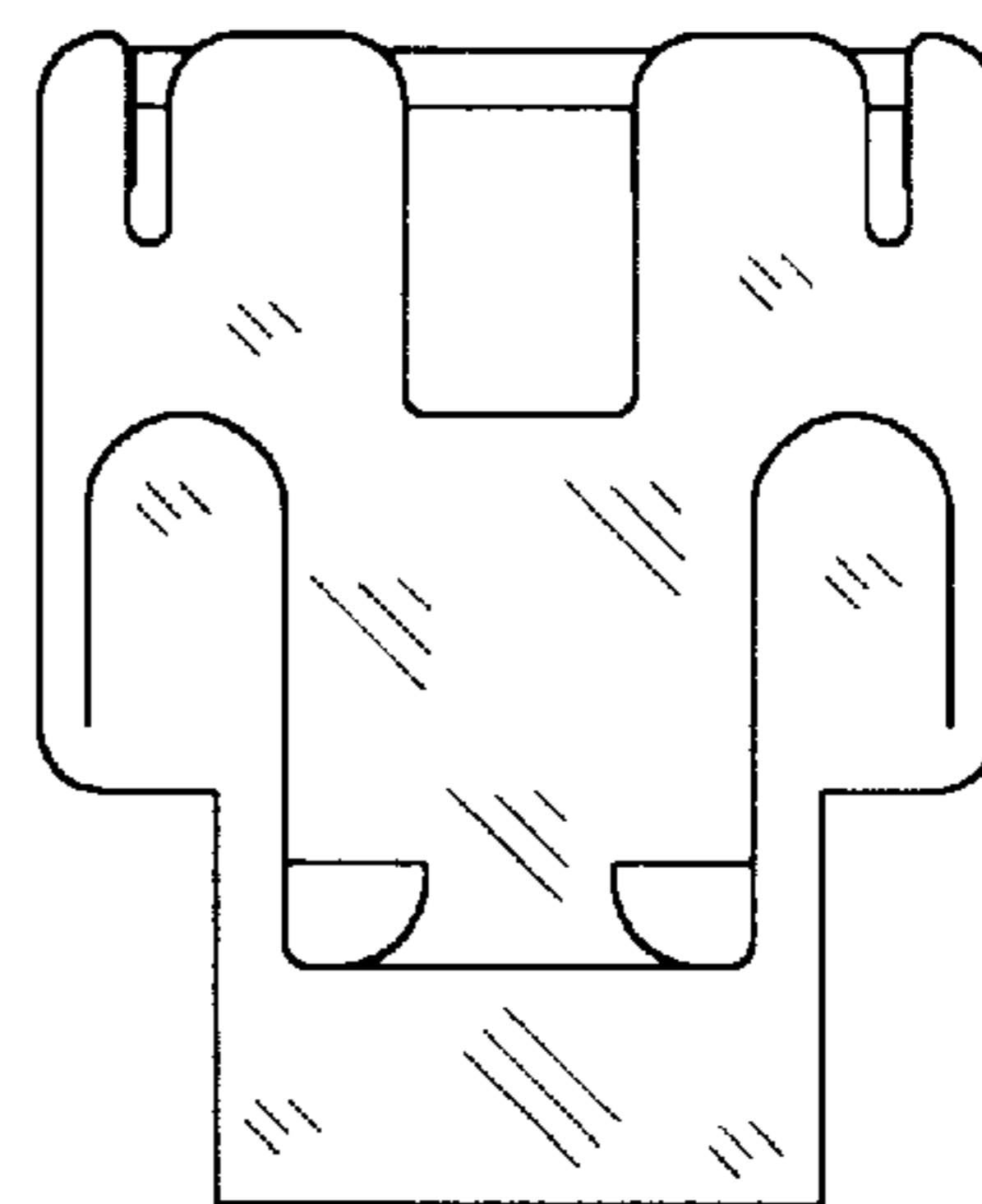


FIG. 7