



US00D418110S

United States Patent [19] Tennessee

[11] **Patent Number: Des. 418,110**

[45] **Date of Patent: ** Dec. 28, 1999**

[54] **ELECTRICAL CONNECTOR**

[75] Inventor: **John Tennessen**, Richfield, Wis.

[73] Assignee: **Marquette Medical Systems, Inc.**,
Milwaukee, Wis.

[**] Term: **14 Years**

[21] Appl. No.: **29/095,958**

[22] Filed: **Nov. 2, 1998**

[51] **LOC (6) Cl.** **13-03**

[52] **U.S. Cl.** **D13/146**

[58] **Field of Search** D13/146, 147;
439/562, 571, 680, 613, 614, 675, 677

[56] **References Cited**

U.S. PATENT DOCUMENTS

4,420,209 12/1983 Reis et al. 439/680
5,727,963 3/1998 Lemaster 439/358

Primary Examiner—Joel Sincavage
Attorney, Agent, or Firm—Michael Best & Friedrich LLP

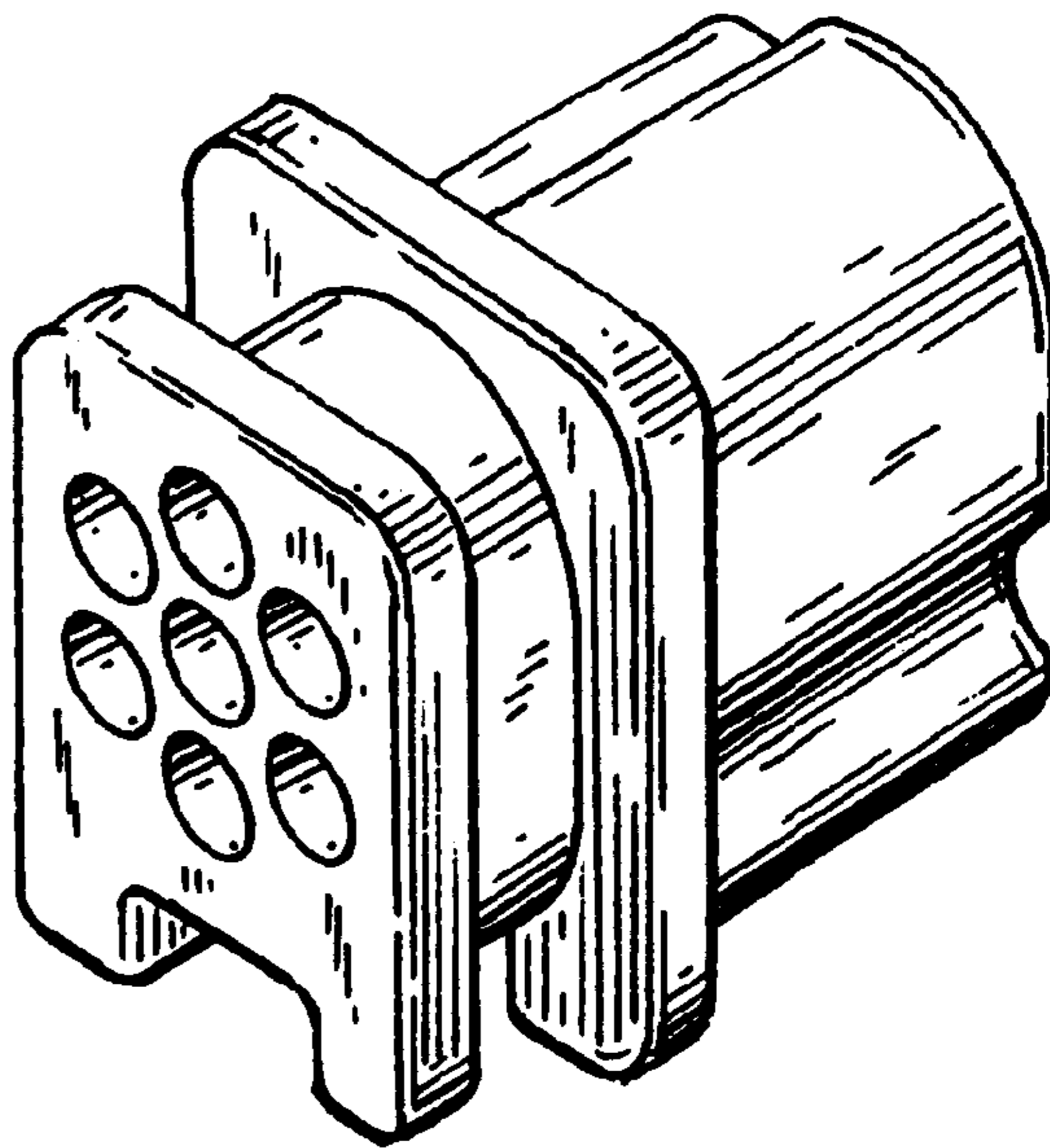
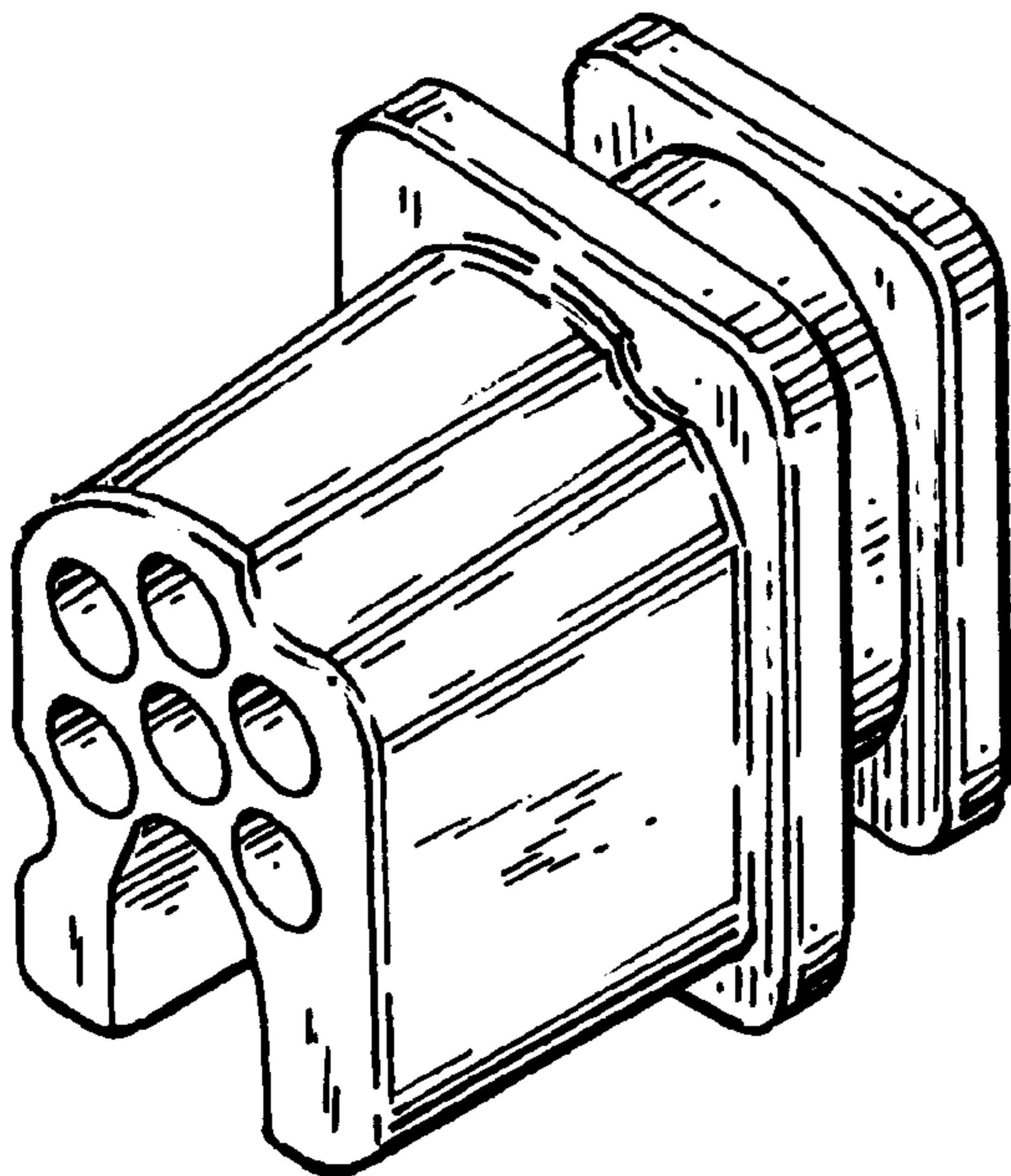
[57] **CLAIM**

The ornamental design for an electrical connector, as shown and described.

DESCRIPTION

FIG. 1 is a perspective view of an ornamental design of a electrical connector according to my invention; FIG. 2 is a rear perspective view thereof; FIG. 3 is a front view thereof; FIG. 4 is a right side view thereof; FIG. 5 is a left side view thereof; FIG. 6 is a rear view thereof; FIG. 7 is a top view thereof; FIG. 8 is a bottom view thereof. FIG. 9 shows a perspective view of the electrical connector showing its environment wherein it is coupled to a cable connector, those portions shown in broken lines are not a part of the invention; and, FIGS. 10, 11 and 12 are front views of alternate embodiments of the invention, the remaining views thereof are identical to those of the embodiment of FIGS. 1–9 except for the positions of the side and top grooves.

1 Claim, 3 Drawing Sheets



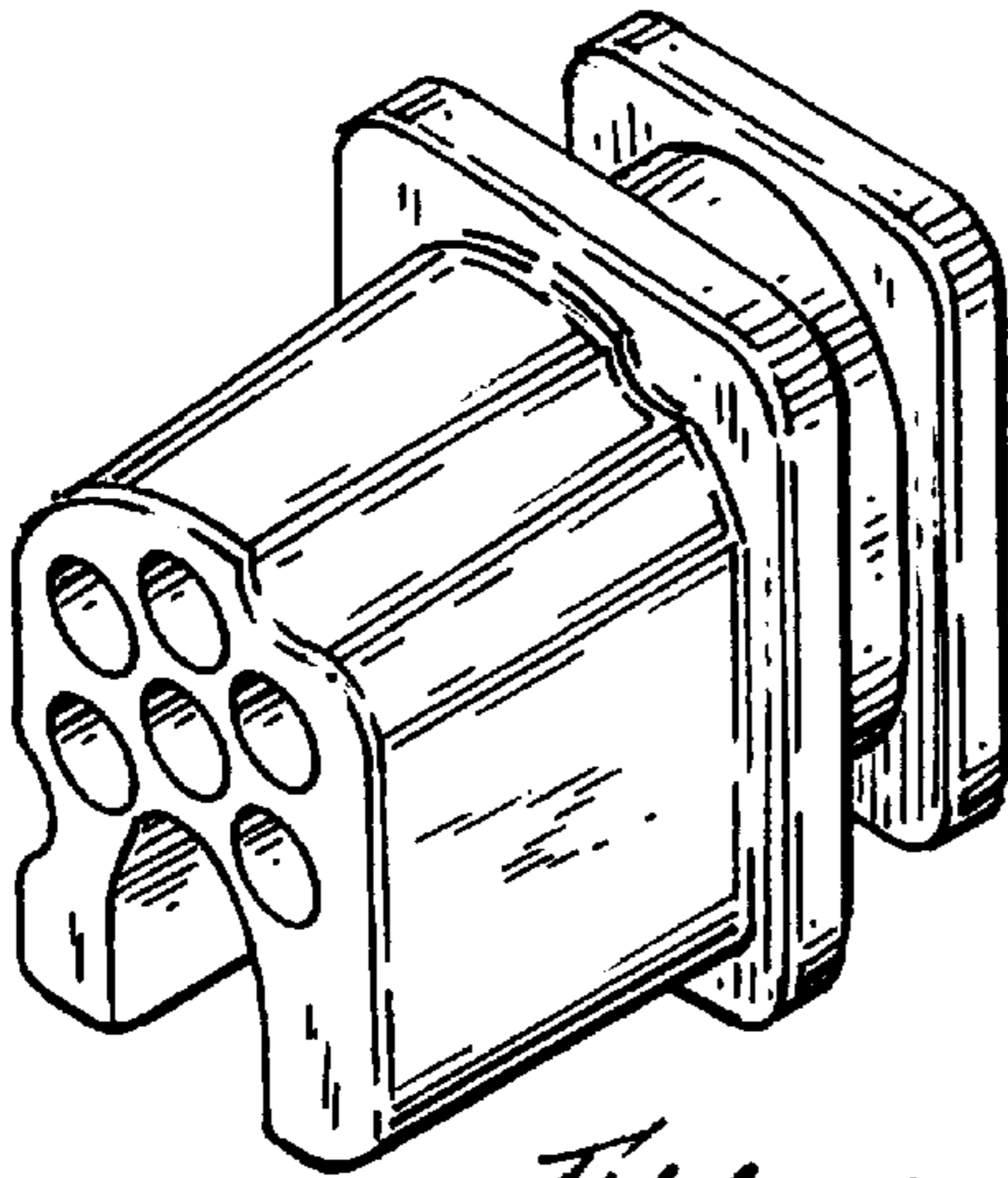


Fig. 1

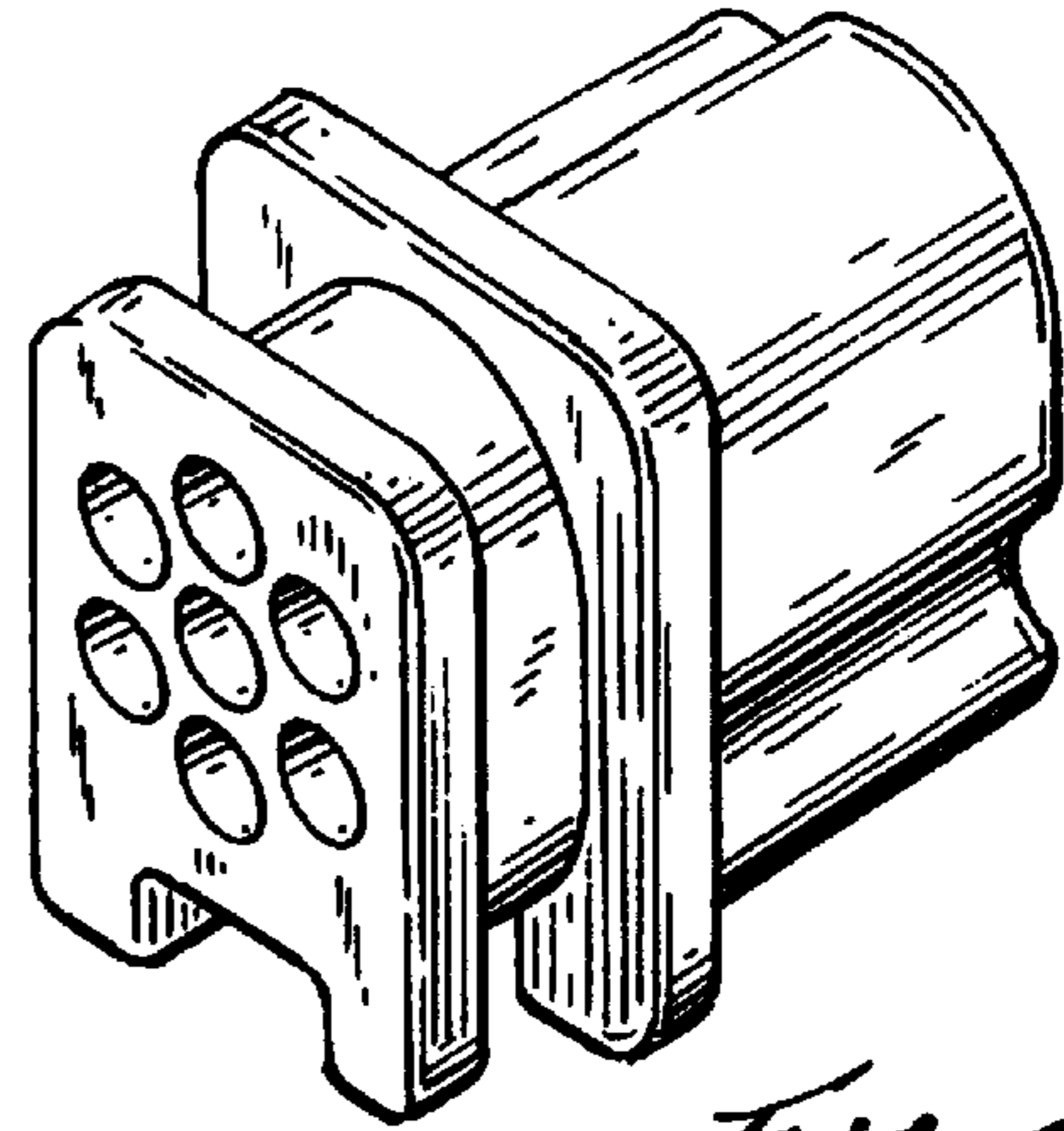


Fig. 2

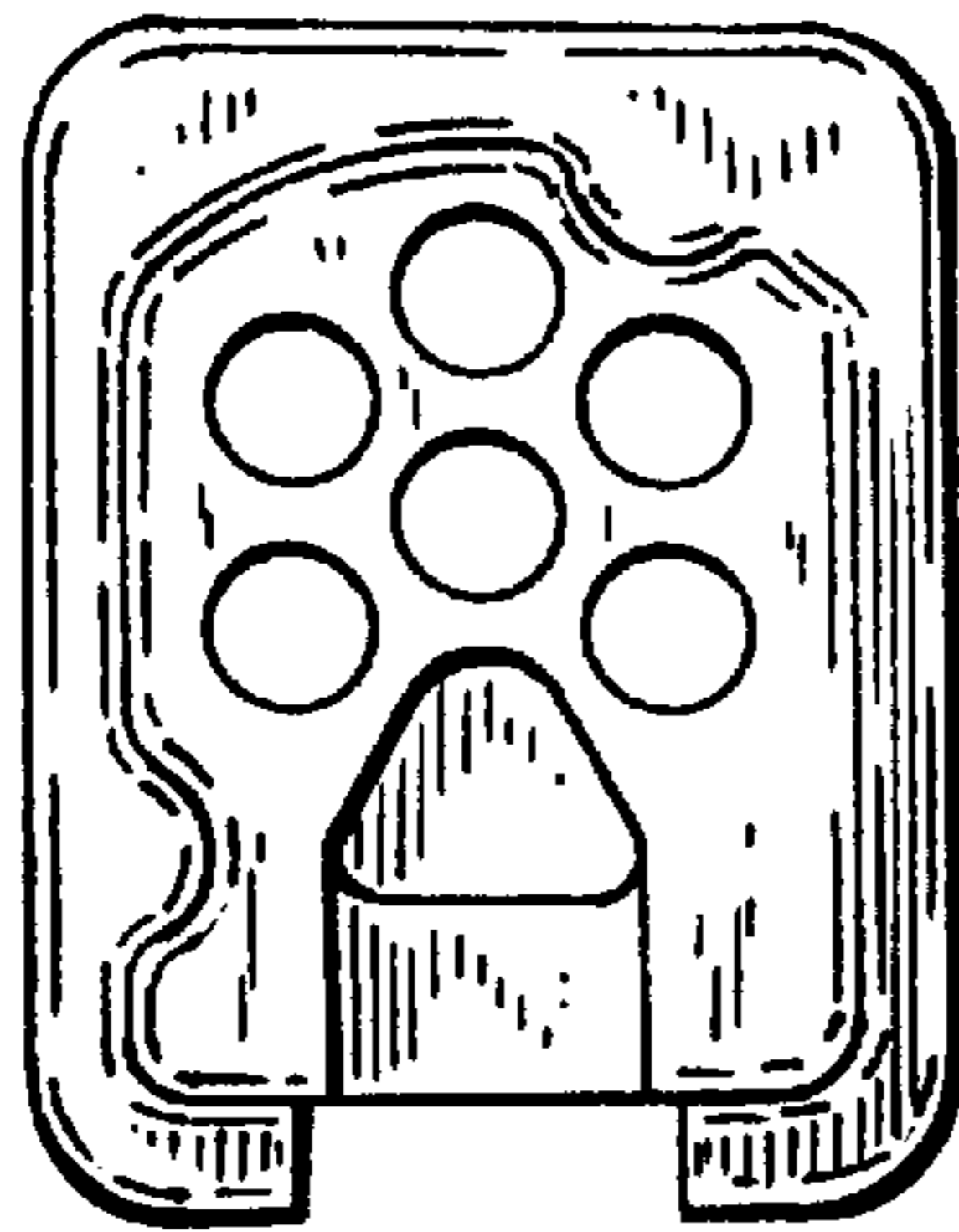


Fig. 3

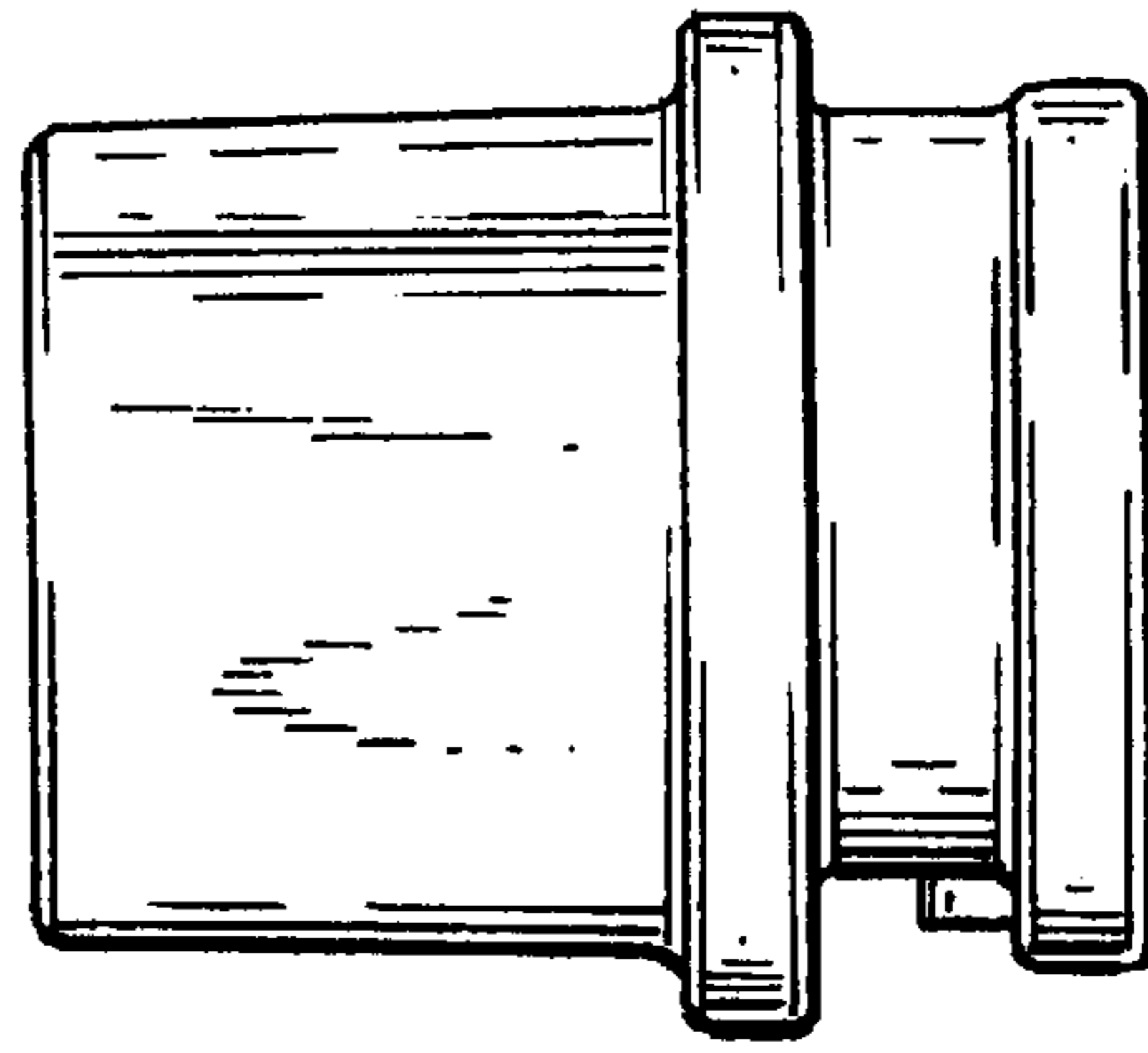


Fig. 4

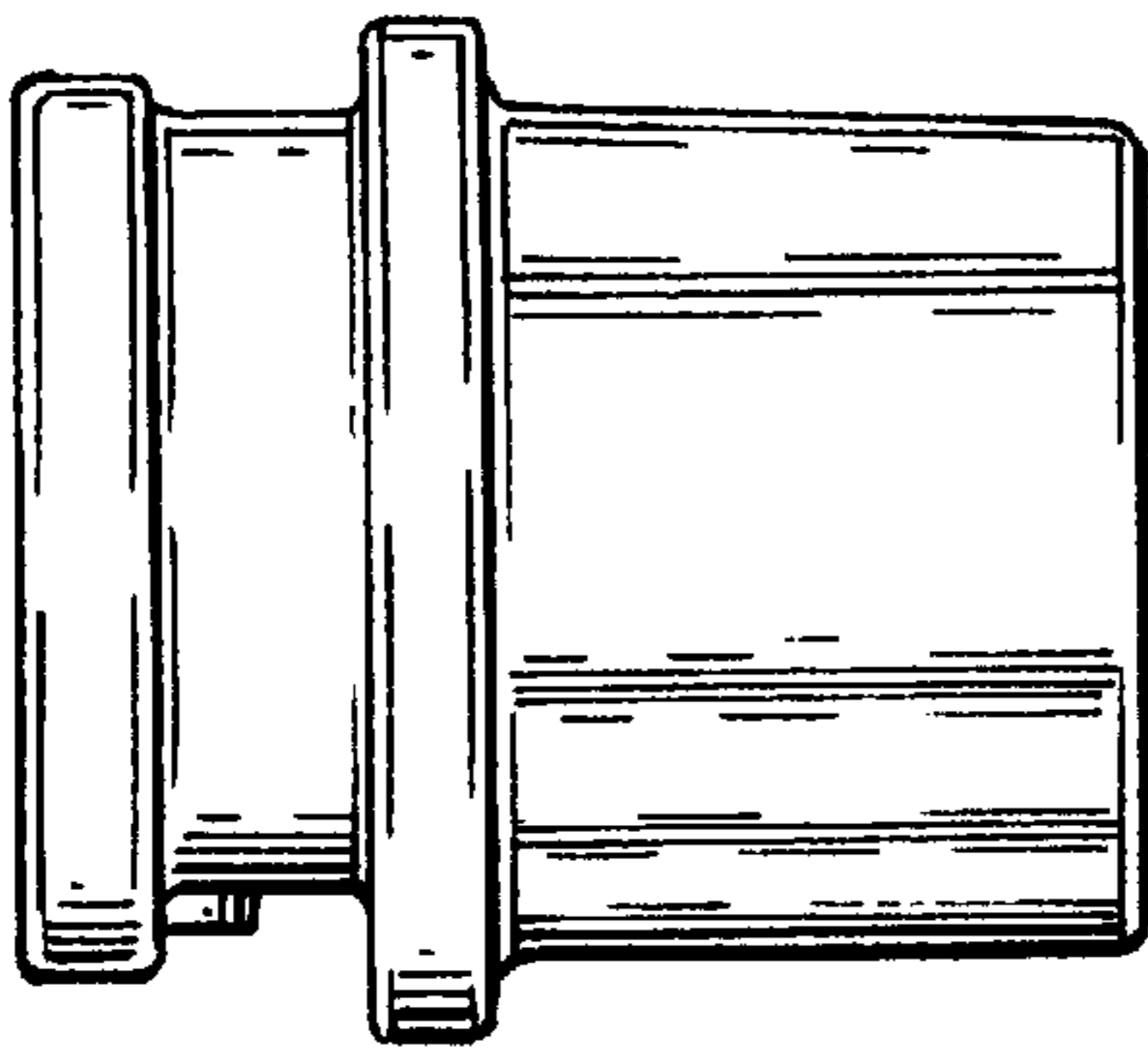


Fig. 5

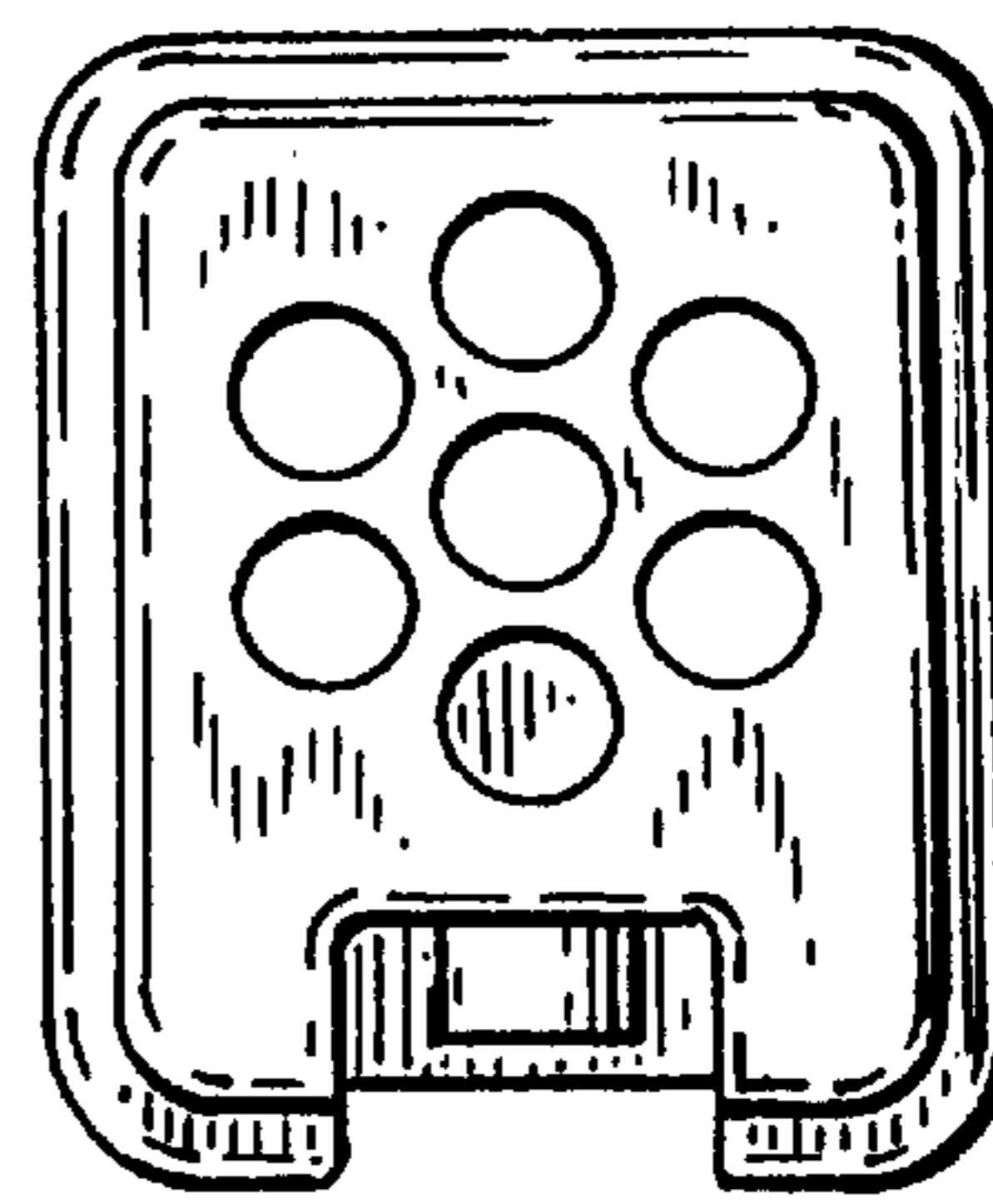


Fig. 6

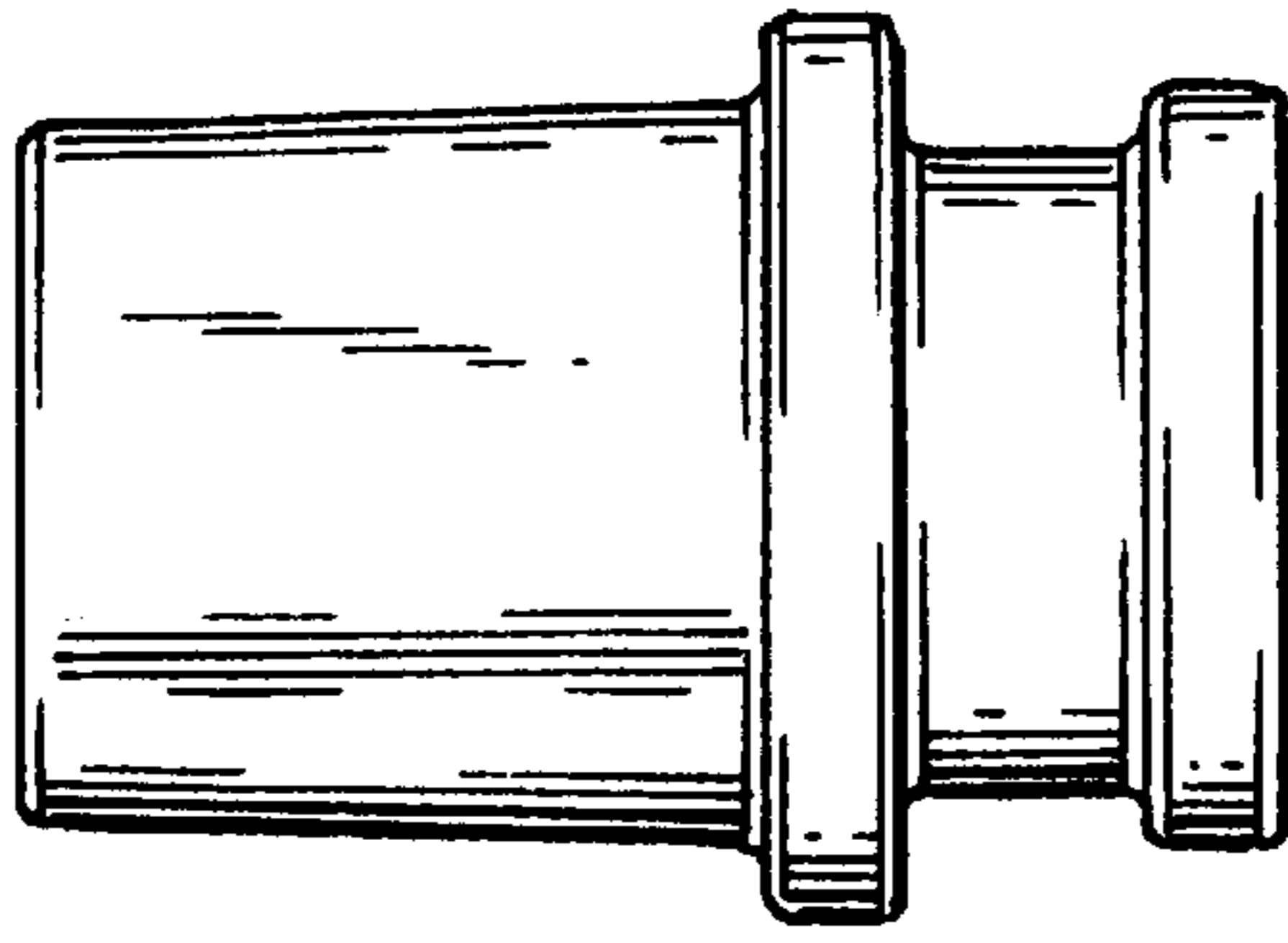


Fig. 7

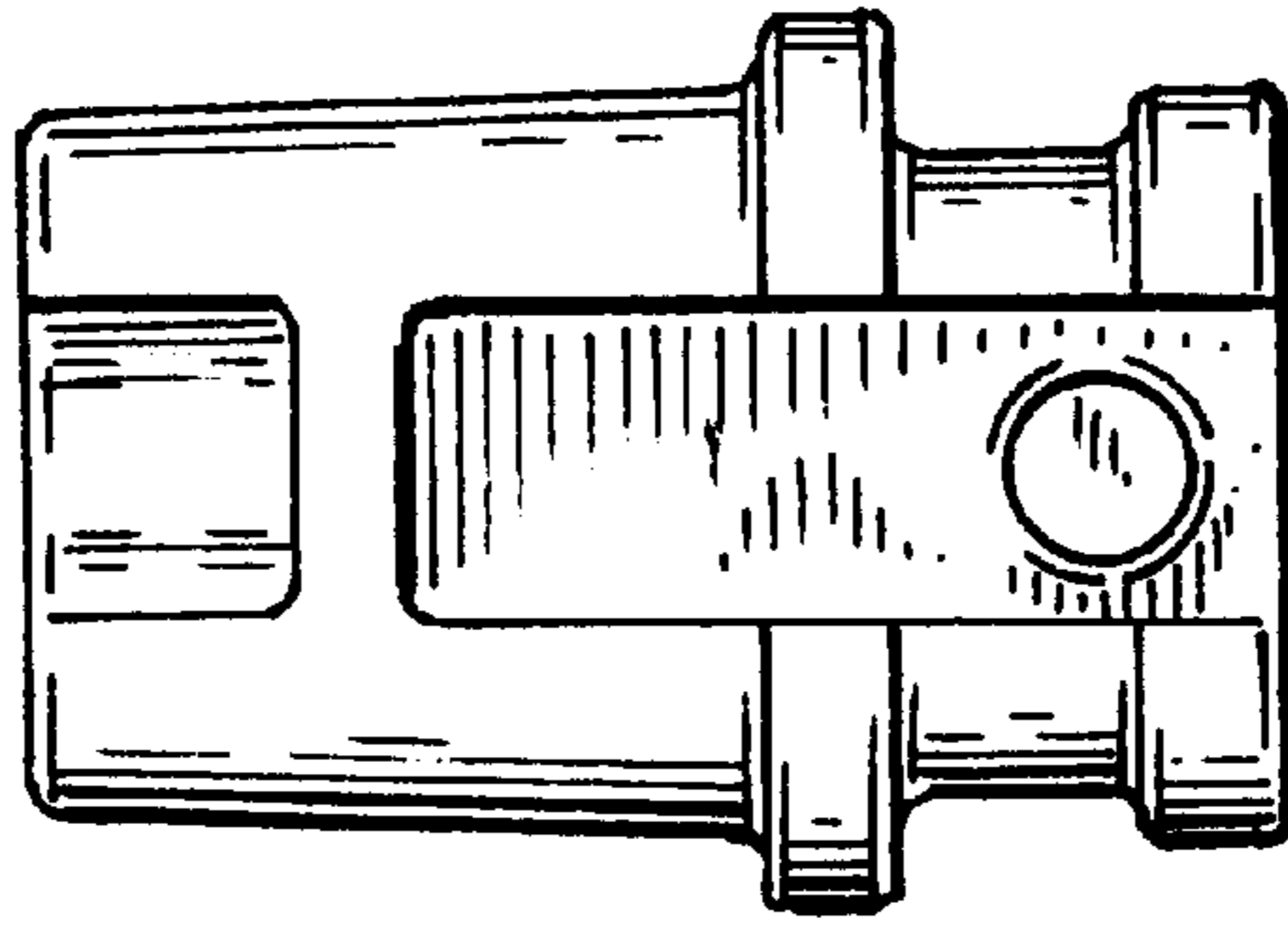


Fig. 8

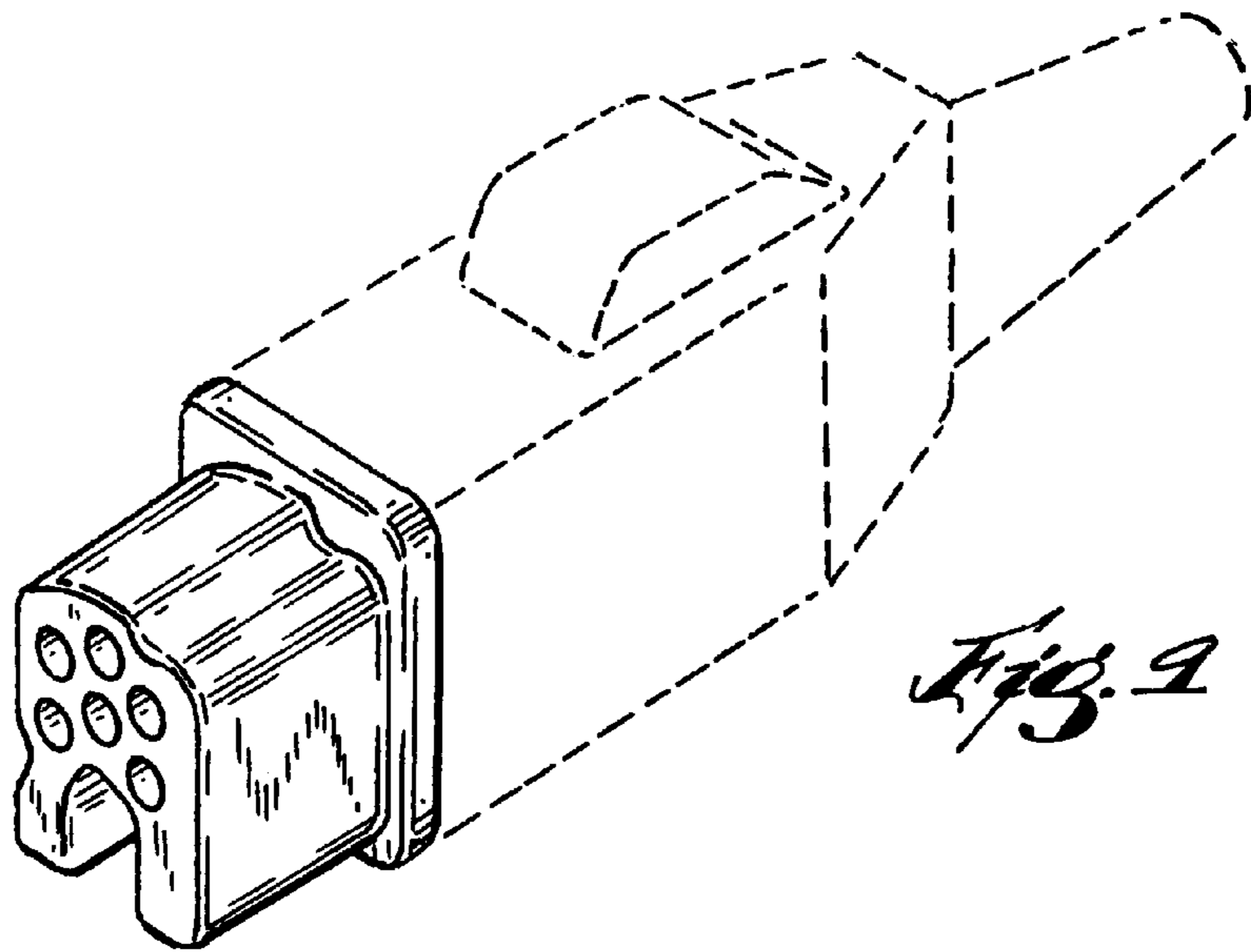


Fig. 9

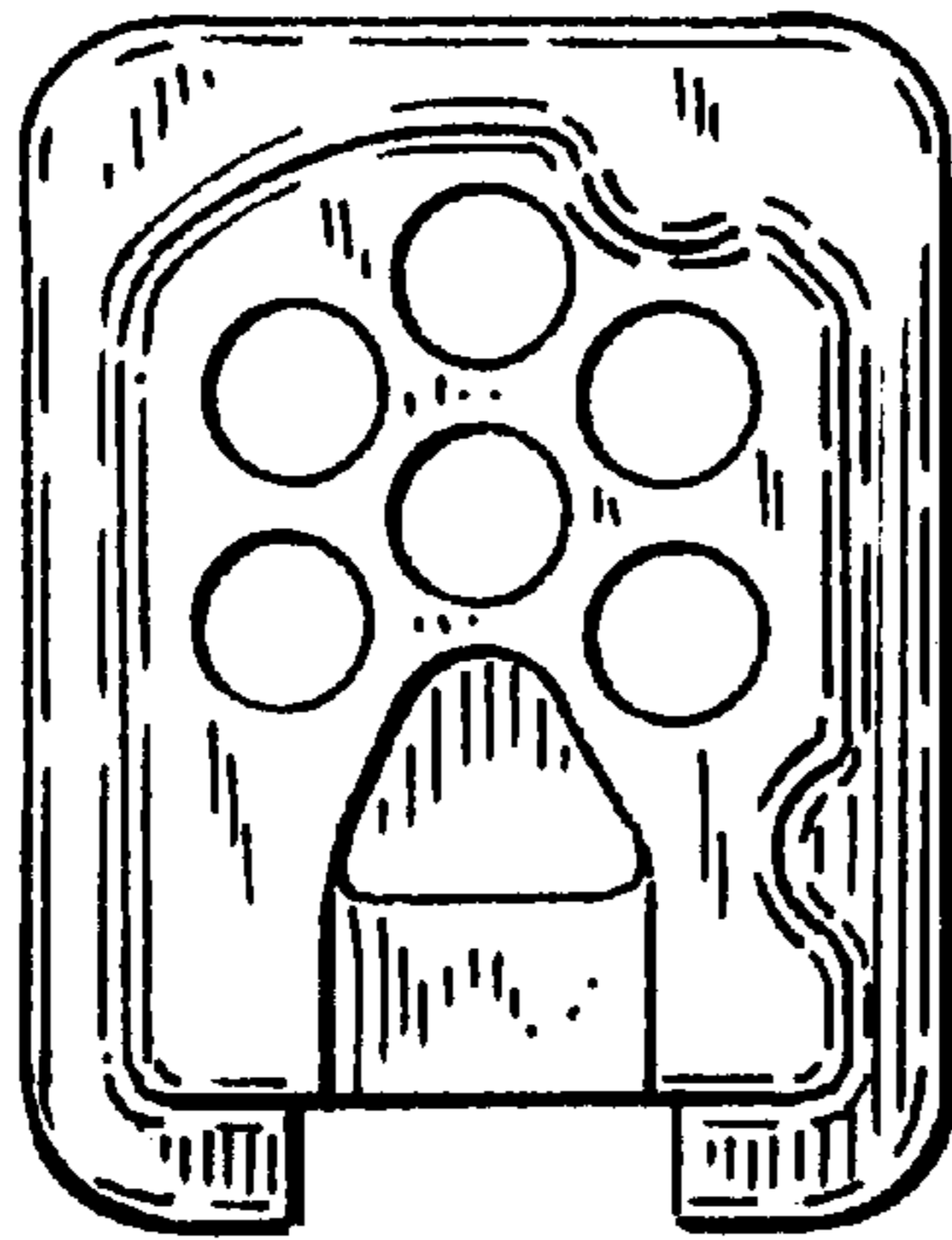


Fig. 10

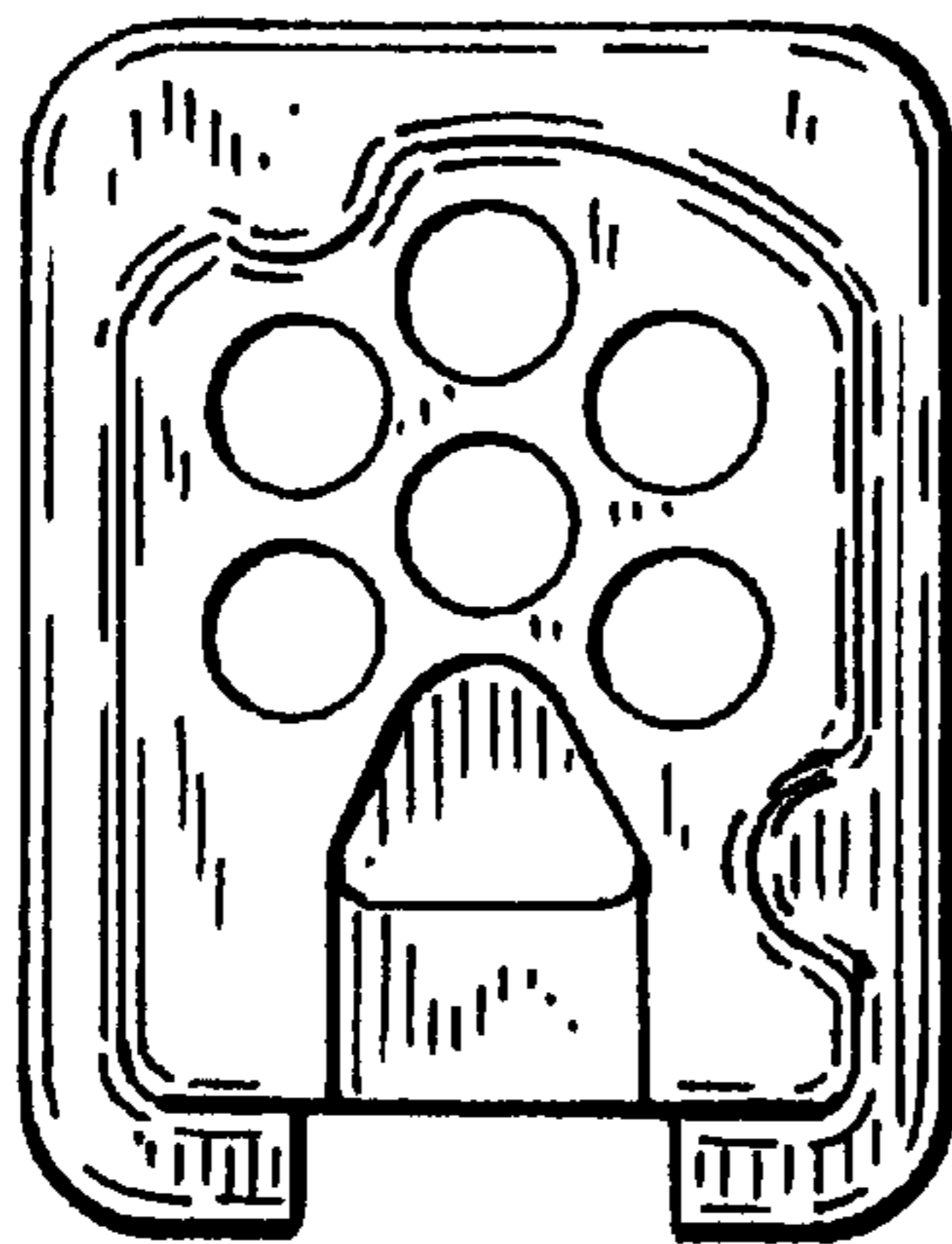


Fig. 11

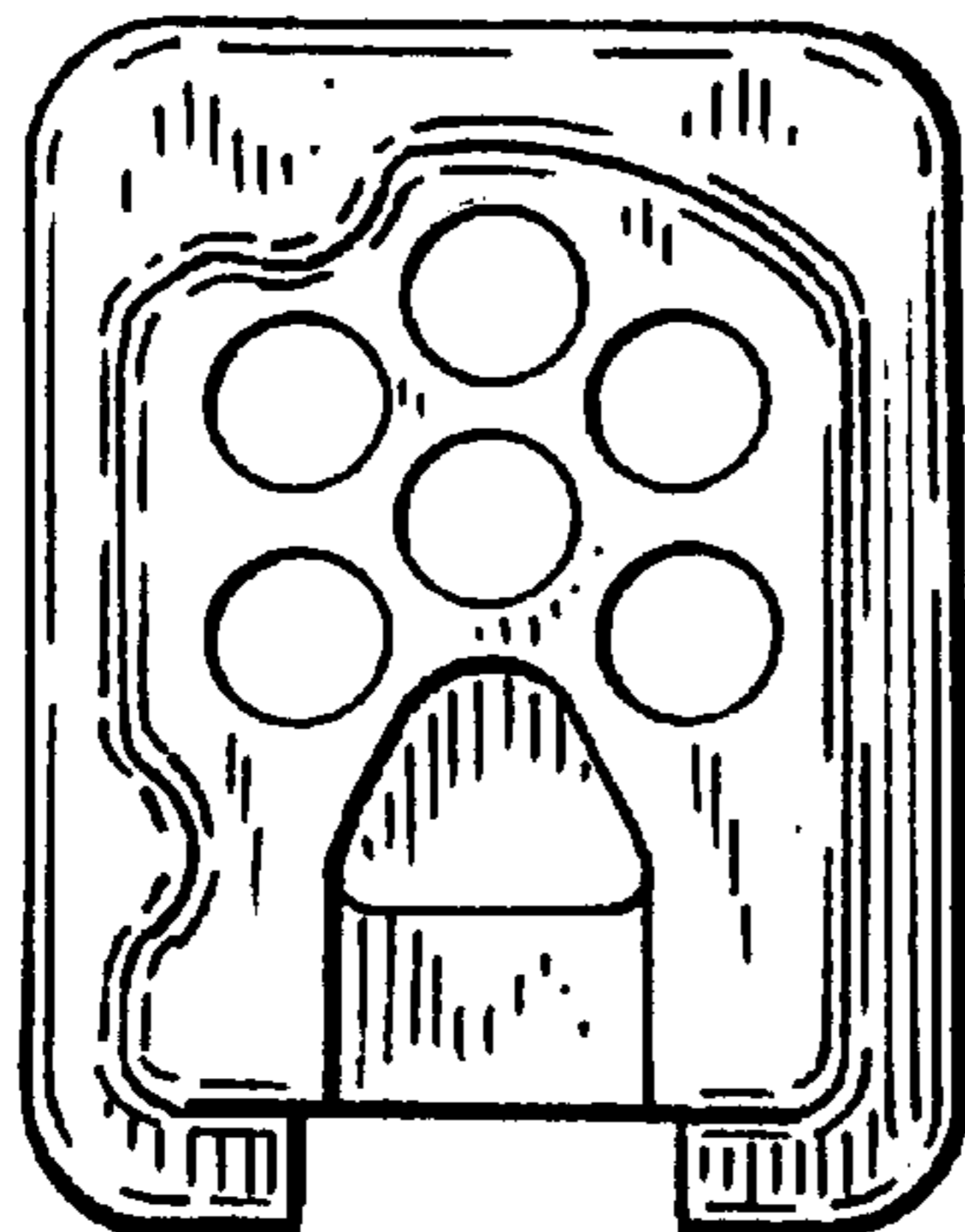


Fig. 12