



US00D418109S

United States Patent [19] Lok

[11] Patent Number: **Des. 418,109**

[45] Date of Patent: **** Dec. 28, 1999**

[54] **MODULAR JACK**

[75] Inventor: **Gordon Lok**, Montebello, Calif.

[73] Assignee: **Hon Hai Precision Ind. Co., Ltd.**,
Taipei Hsien, Taiwan

[**] Term: **14 Years**

[21] Appl. No.: **29/097,459**

[22] Filed: **Dec. 7, 1998**

[51] **LOC (6) Cl.** **13-03**

[52] **U.S. Cl.** **D13/133; D13/147**

[58] **Field of Search** **D13/146, 147;**
D14/256; 439/433, 676, 447, 701, 723

[56] **References Cited**

U.S. PATENT DOCUMENTS

- 4,221,458 9/1980 Hughes et al. 439/344 X
- 4,239,316 12/1980 Spaulding 439/344

- 4,778,410 10/1988 Tanaka 439/676
- 4,875,872 10/1989 Tanaka 439/344
- 5,118,311 6/1992 Margini 439/676
- 5,378,172 1/1995 Roberts 439/676 X
- 5,425,660 6/1995 Weikle 439/676

Primary Examiner—Joel Sincavage

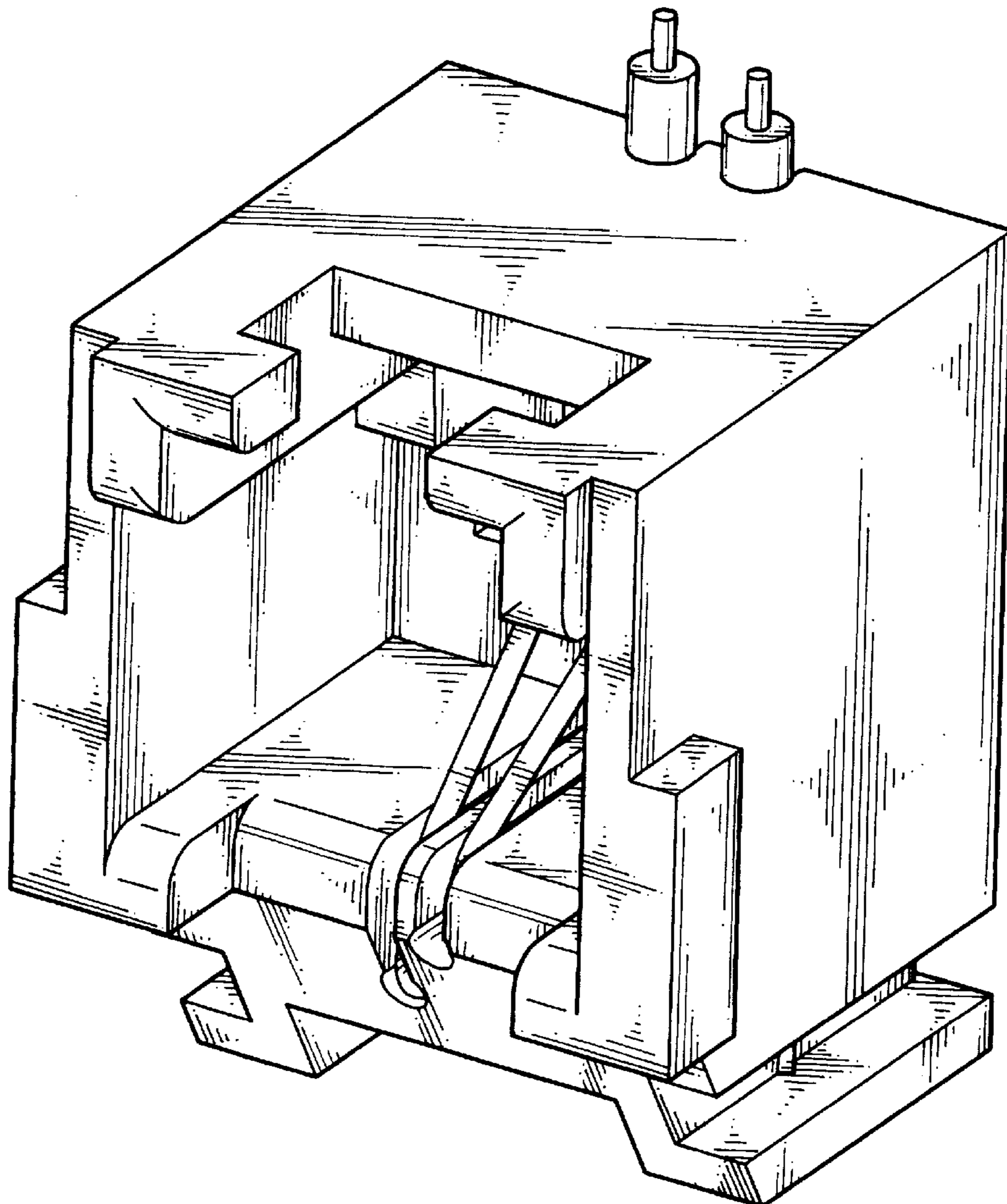
[57] **CLAIM**

The ornamental design for a modular jack, as shown.

DESCRIPTION

FIG. 1 is a front, top and right perspective view of a modular jack showing my new design;
 FIG. 2 is a front view thereof;
 FIG. 3 is a rear view thereof;
 FIG. 4 is a left side elevational view thereof;
 FIG. 5 is a right side elevational view thereof;
 FIG. 6 is a top plan view thereof; and,
 FIG. 7 is a bottom plan view thereof.

1 Claim, 7 Drawing Sheets



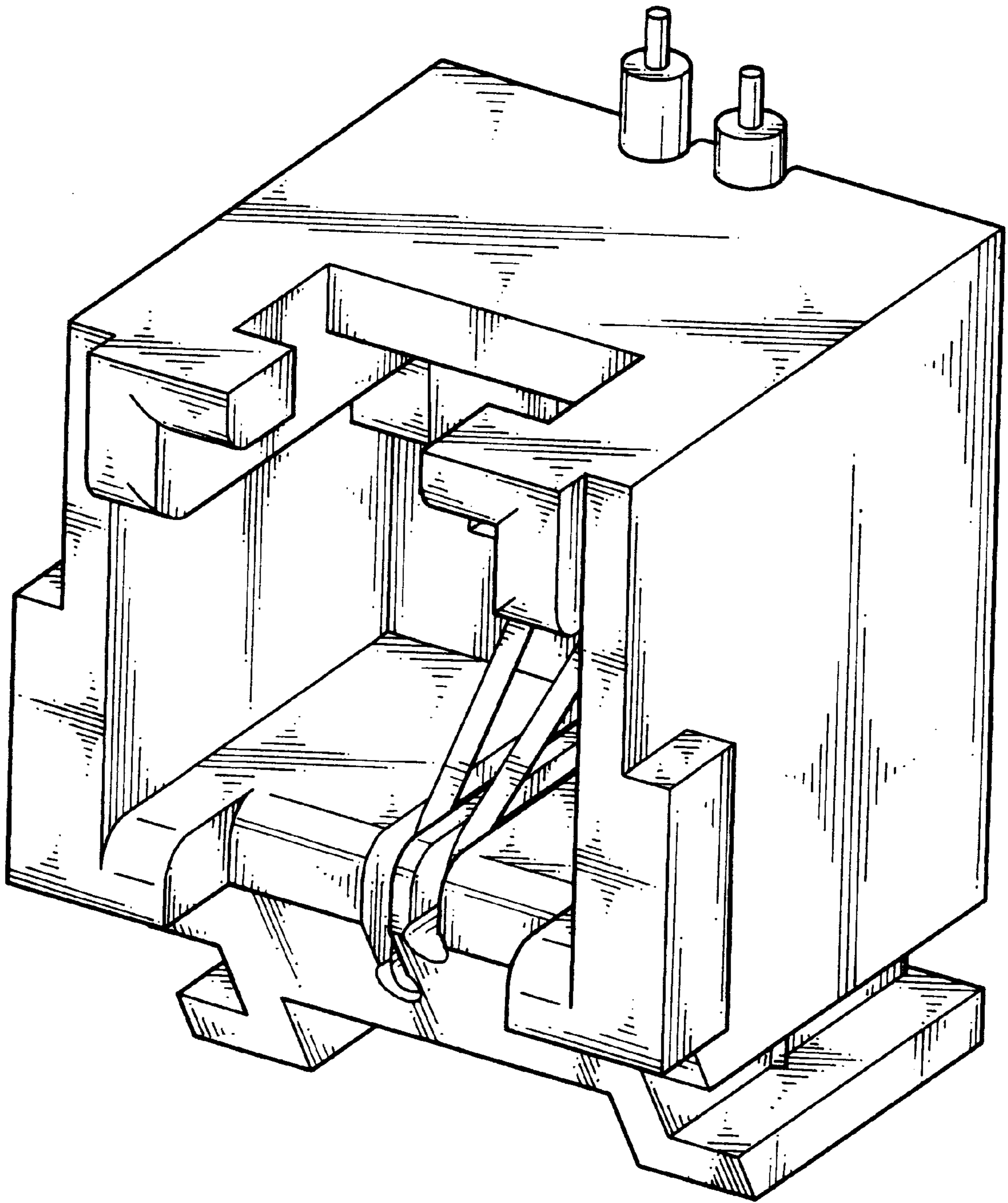


FIG. 1

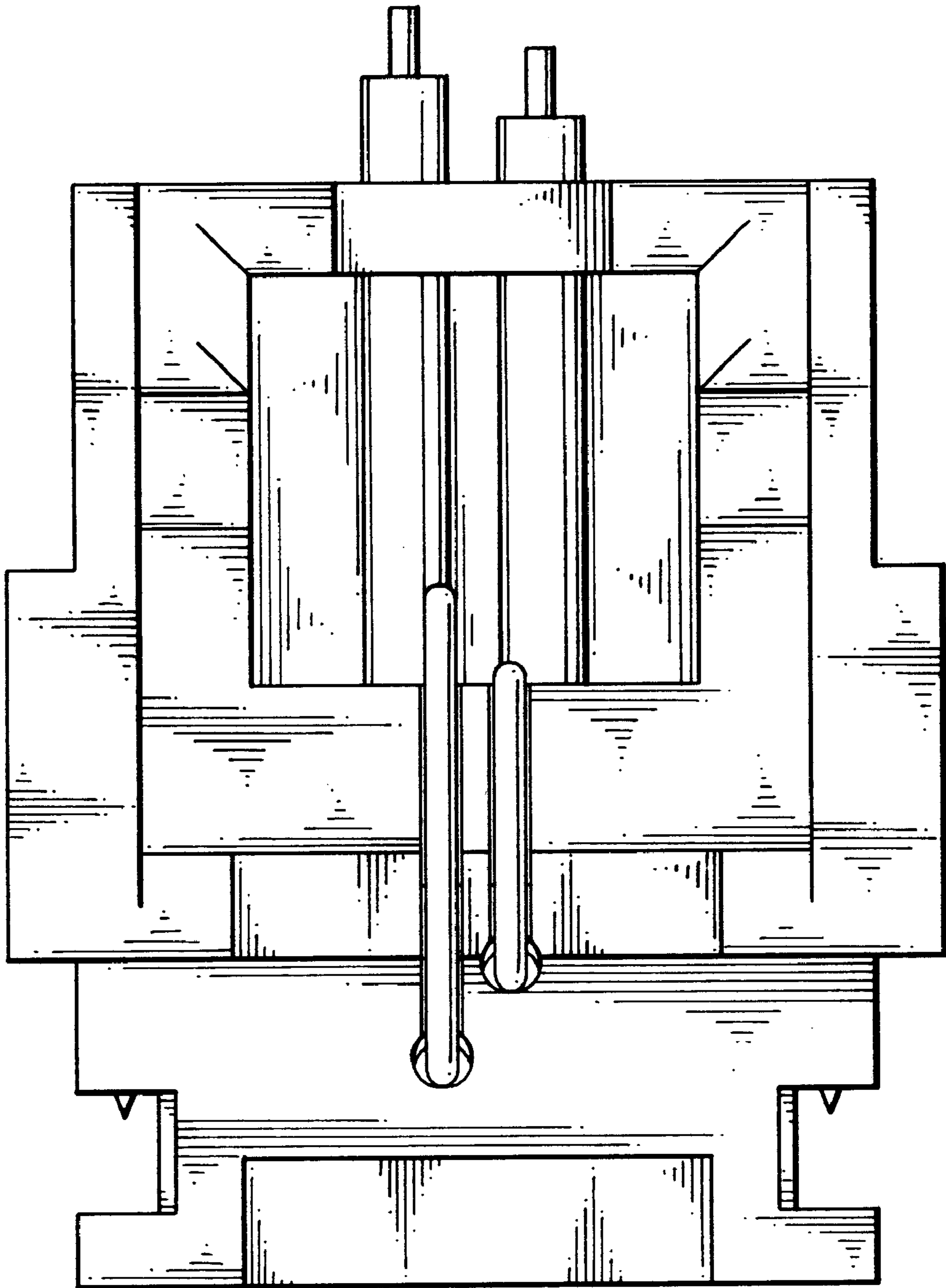


FIG. 2

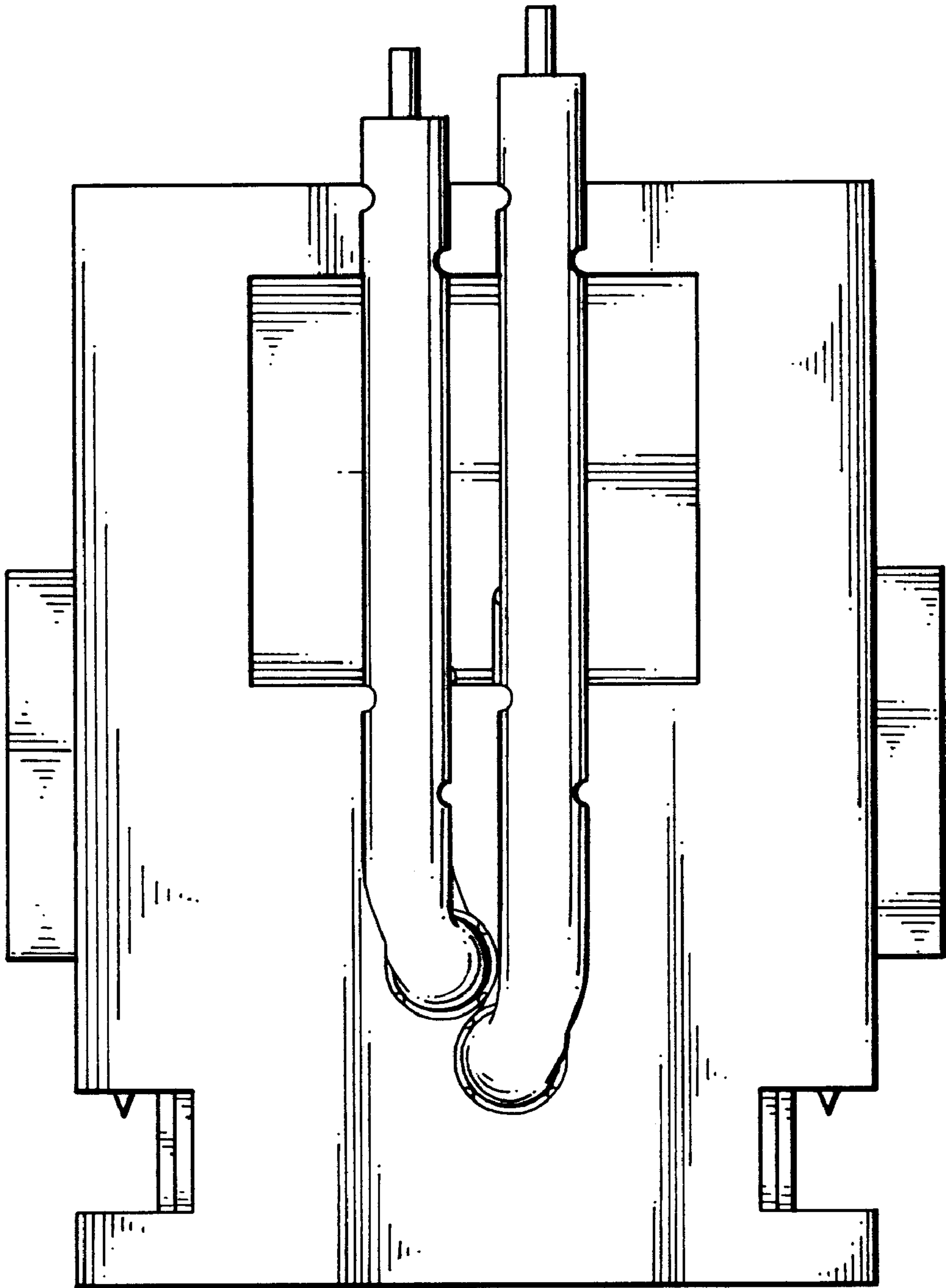


FIG. 3

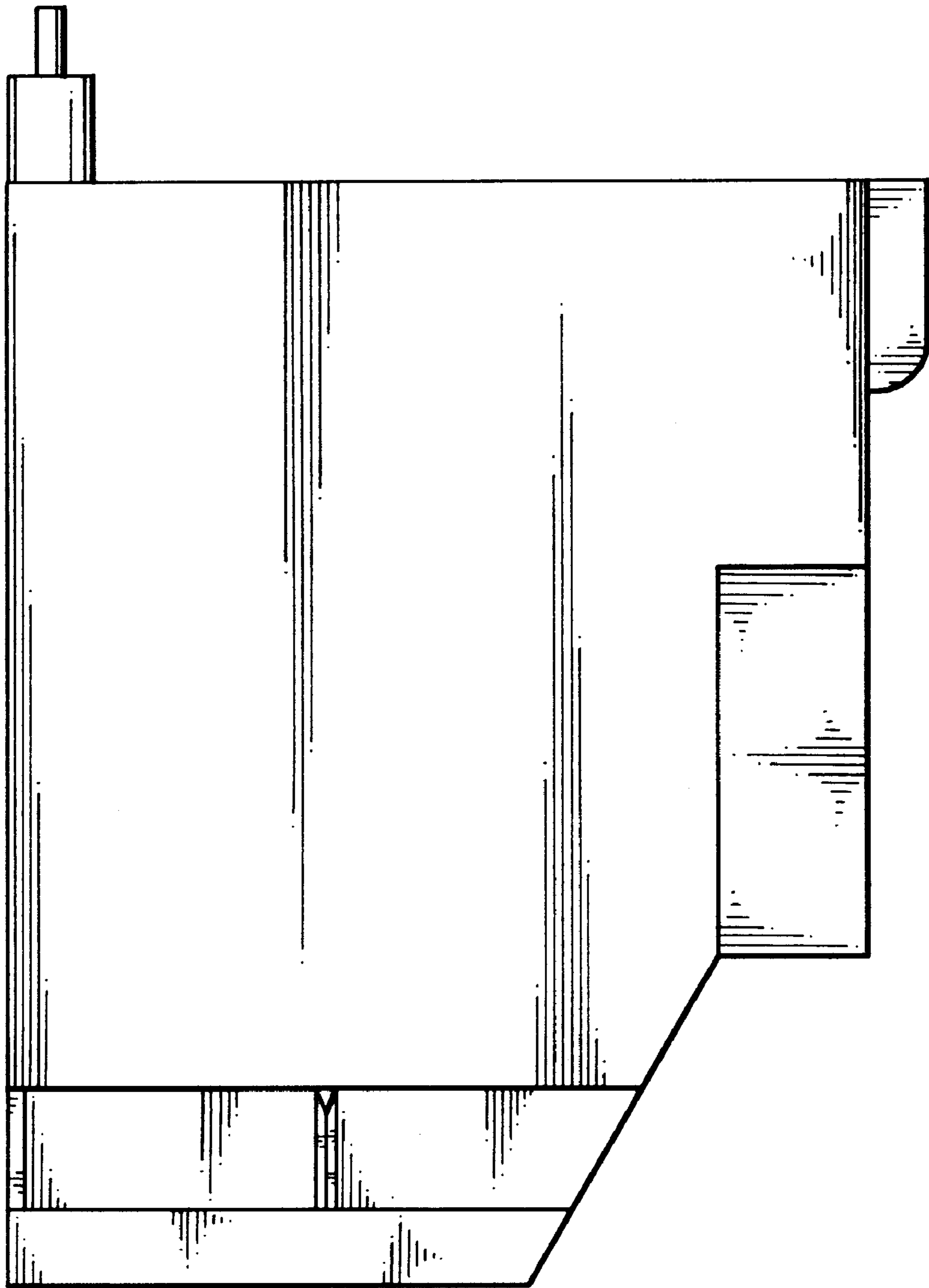


FIG. 4

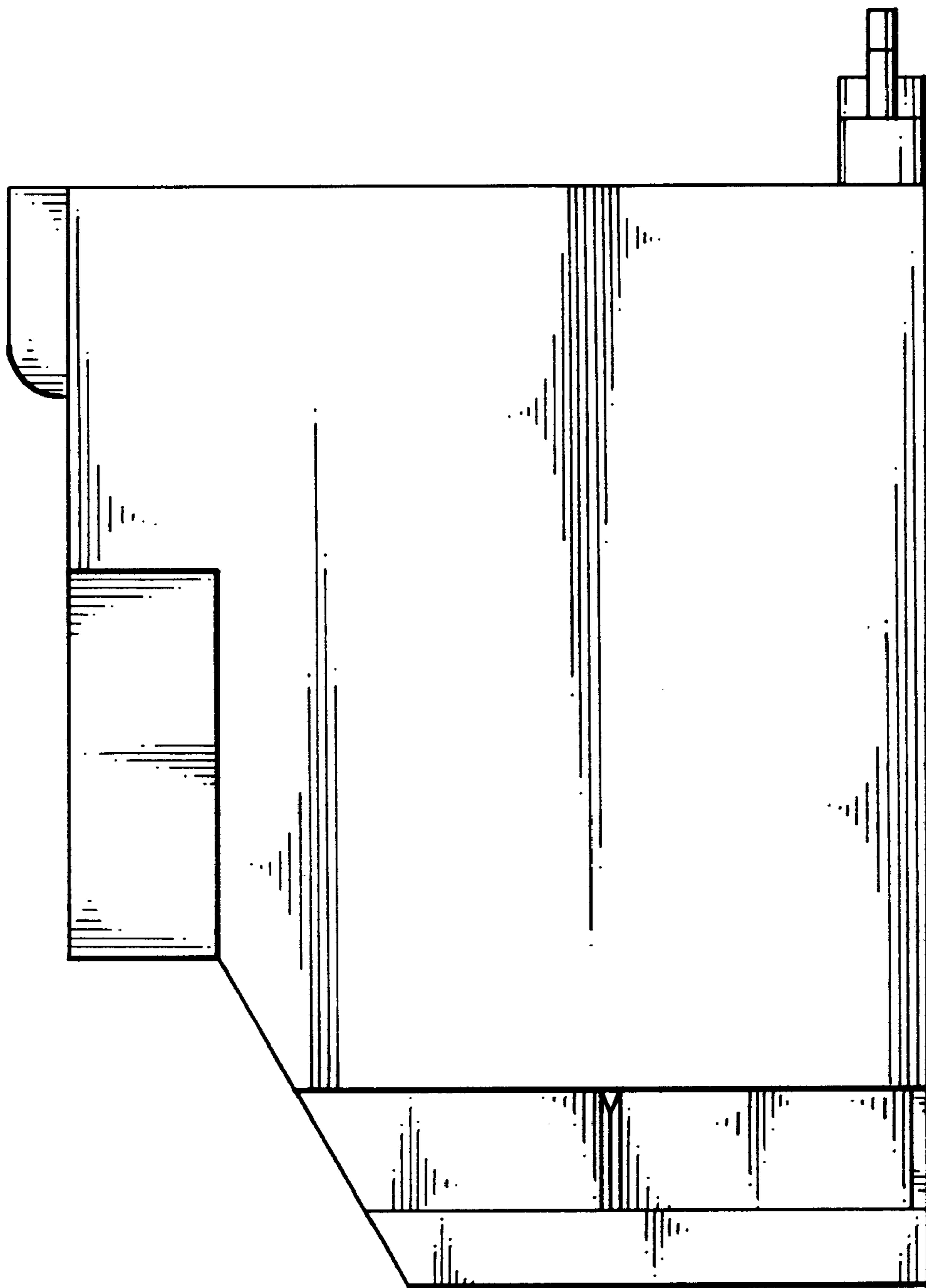


FIG. 5

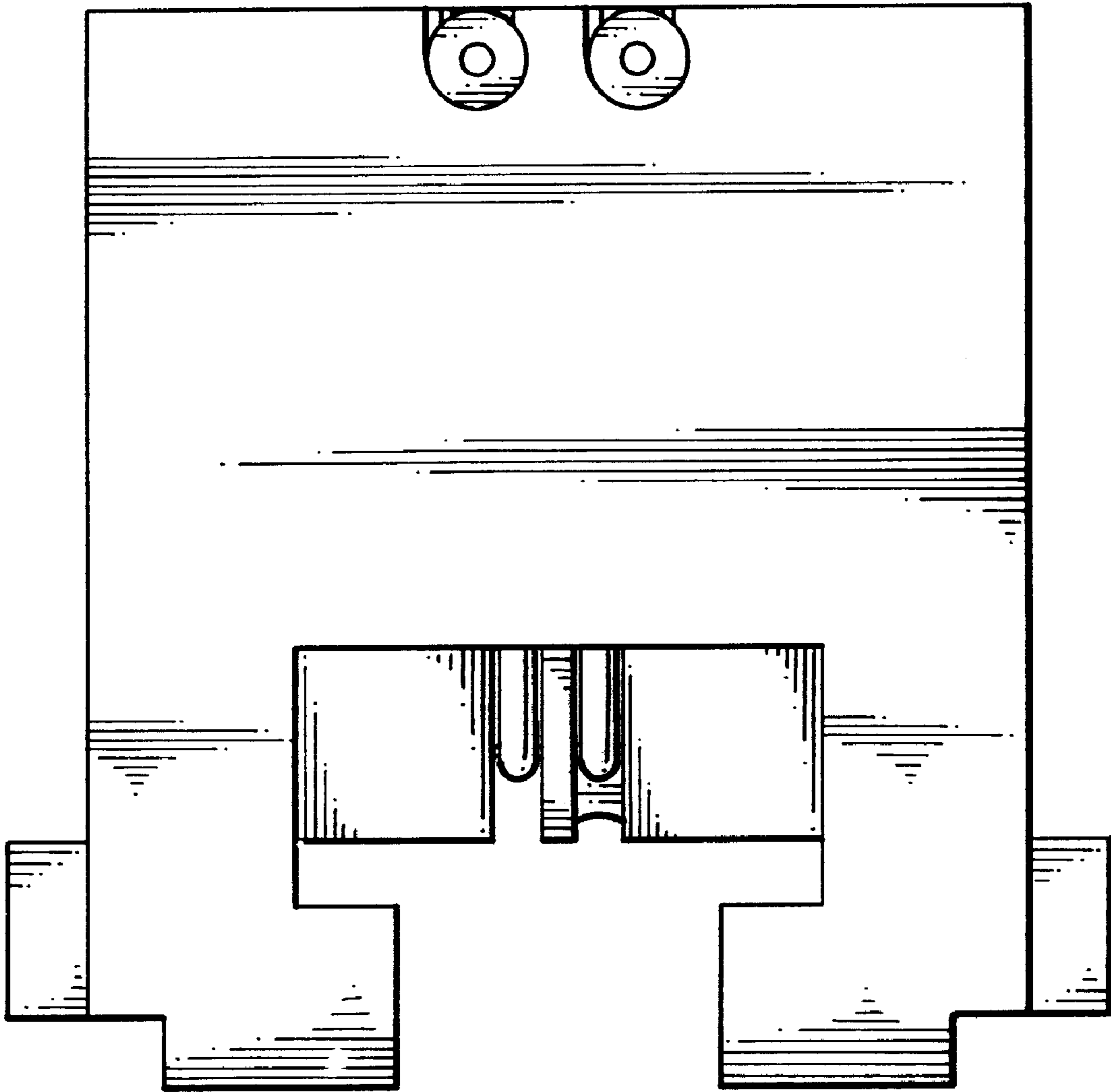


FIG. 6

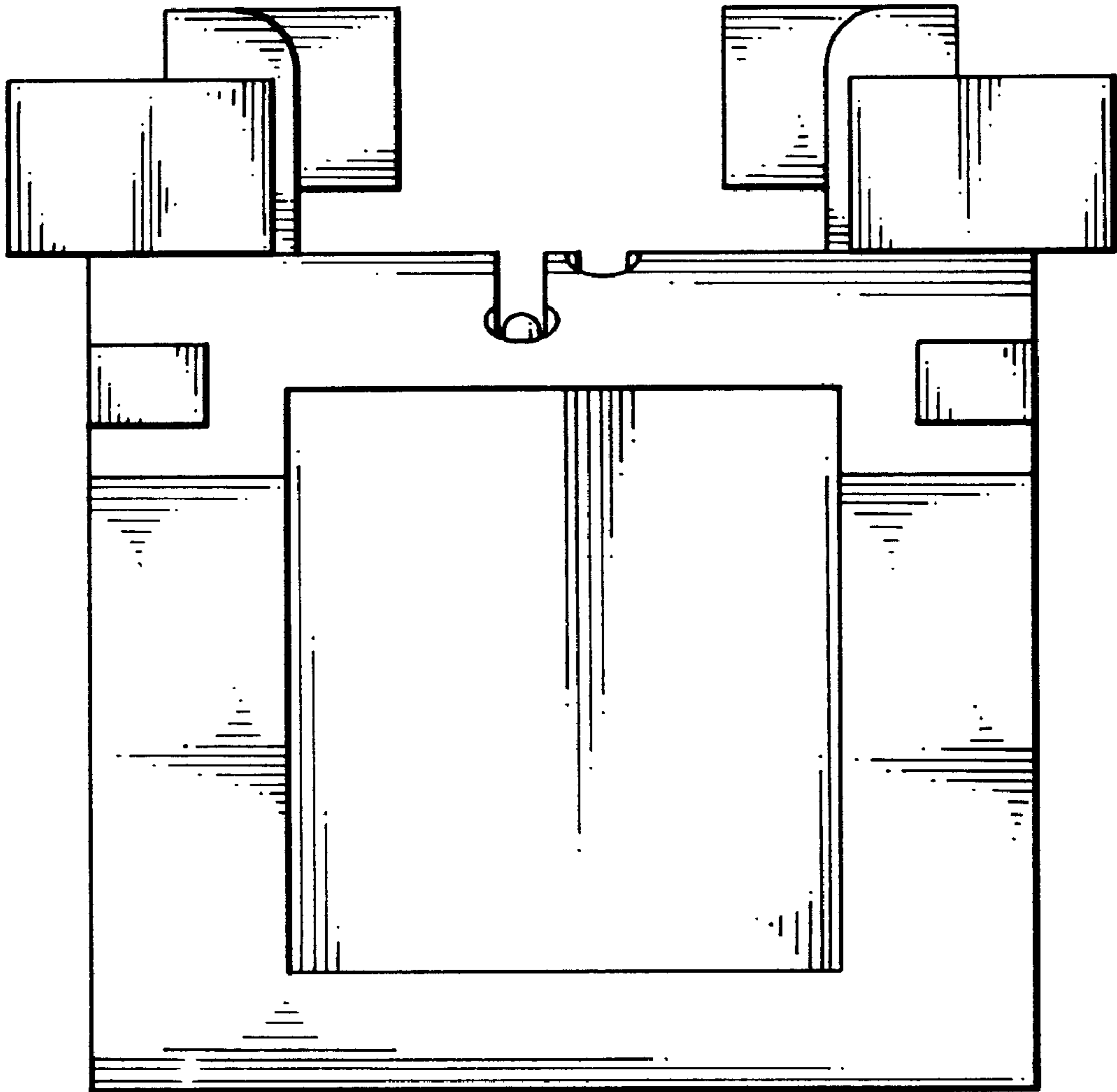


FIG. 7