



US00D418108S

# United States Patent [19] Snider

[11] Patent Number: **Des. 418,108**

[45] Date of Patent: **\*\* Dec. 28, 1999**

[54] **CHARGER**

[75] Inventor: **Gregory Scott Snider**, Bel Air, Md.

[73] Assignee: **Black & Decker Inc.**, Newark, Del.

[\*\*] Term: **14 Years**

[21] Appl. No.: **29/092,968**

[22] Filed: **Aug. 31, 1998**

[51] **LOC (6) Cl.** ..... **13-02**

[52] **U.S. Cl.** ..... **D13/108**

[58] **Field of Search** ..... D13/107, 108;  
D14/149, 251; 320/107, 111-115

[56] **References Cited**

**U.S. PATENT DOCUMENTS**

- D. 193,664 9/1962 Armbruster .
- D. 215,688 10/1969 DeFano et al. .
- D. 219,985 2/1971 Ray ..... D13/108
- D. 255,029 5/1980 Brownlie ..... D13/108
- D. 277,662 2/1985 Huntingdon et al. .
- D. 278,228 4/1985 Liautaud et al. .
- D. 278,704 5/1985 Claxton et al. .
- D. 283,812 5/1986 Liautaud et al. .
- D. 289,996 5/1987 Oord et al. .
- D. 298,748 11/1988 Sharrah et al. .
- D. 331,220 11/1992 Tsuchiya .
- D. 334,170 3/1993 Rams et al. .... D13/108
- D. 335,861 5/1993 Tattari .
- D. 348,428 7/1994 Gallagher et al. .
- D. 358,801 5/1995 Vos ..... D13/108
- D. 362,227 9/1995 Richards et al. .

- D. 382,249 8/1997 Rak et al. .
- D. 400,166 10/1998 Concari et al. .... D13/108
- 4,608,528 8/1986 Stillwell .

**FOREIGN PATENT DOCUMENTS**

- 0485784 5/1992 European Pat. Off. .
- 1198881 9/1963 Germany .
- 0174033 4/1982 Japan .
- 57-61273 4/1982 Japan .

**OTHER PUBLICATIONS**

Charging base for shaver shown in photos 1-7, attached as Exhibit A., is prior art under 35 U.S.C. §102(b) against the battery charger design of the subject application.

*Primary Examiner*—Joel Sincavage  
*Attorney, Agent, or Firm*—Bruce S. Shapiro; Dennis A. Dearing; John D. Del Ponti

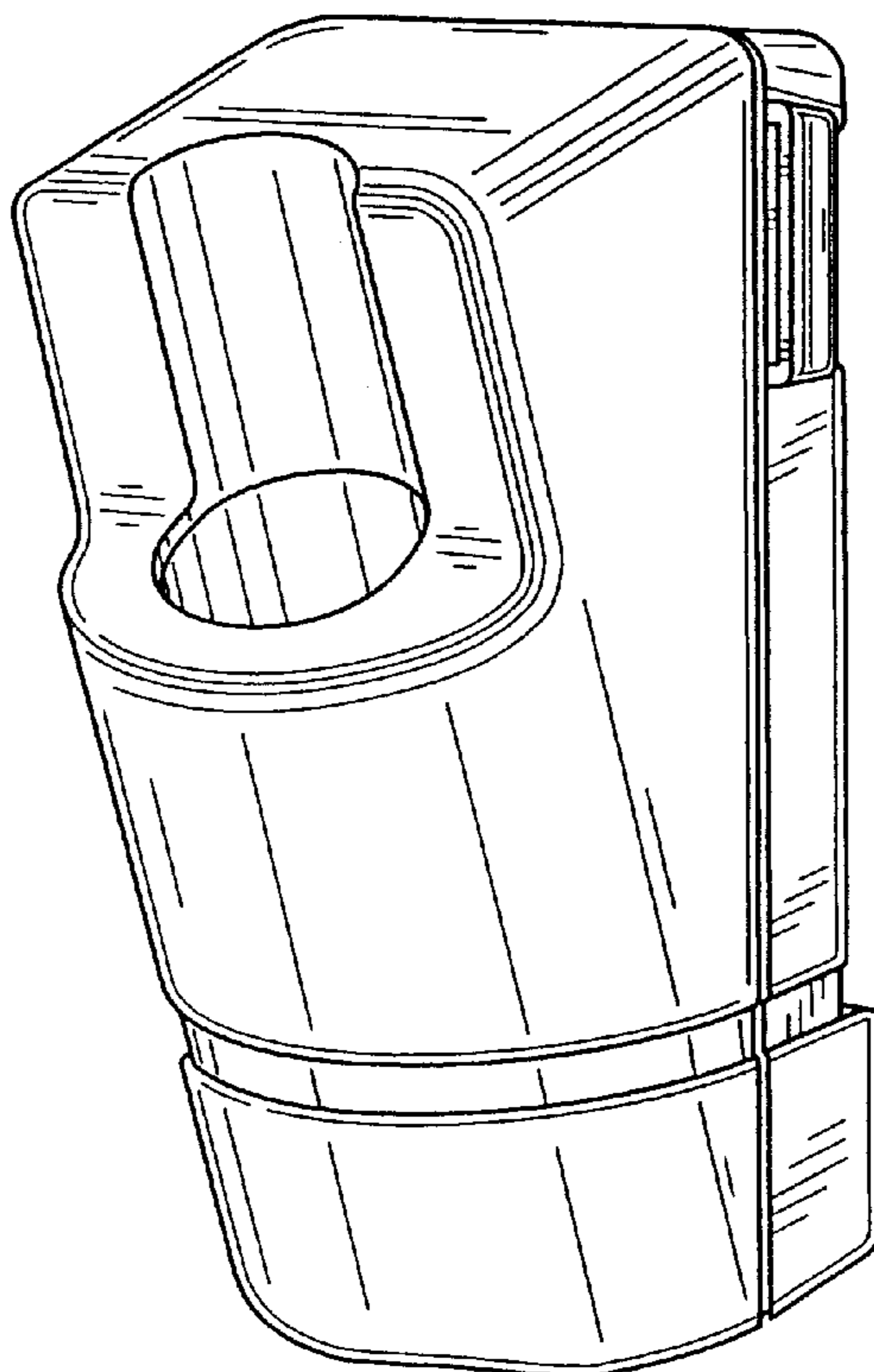
[57] **CLAIM**

The ornamental design for a charger, as shown and described.

**DESCRIPTION**

FIG. 1 is a front perspective view of a charger showing my new design.  
FIG. 2 is a front elevational view thereof.  
FIG. 3 is a rear elevational view thereof.  
FIG. 4 is a top plan view thereof.  
FIG. 5 is a bottom plan view thereof; and,  
FIG. 6 is a right side elevational view thereof the left side being a mirror image.

**1 Claim, 5 Drawing Sheets**



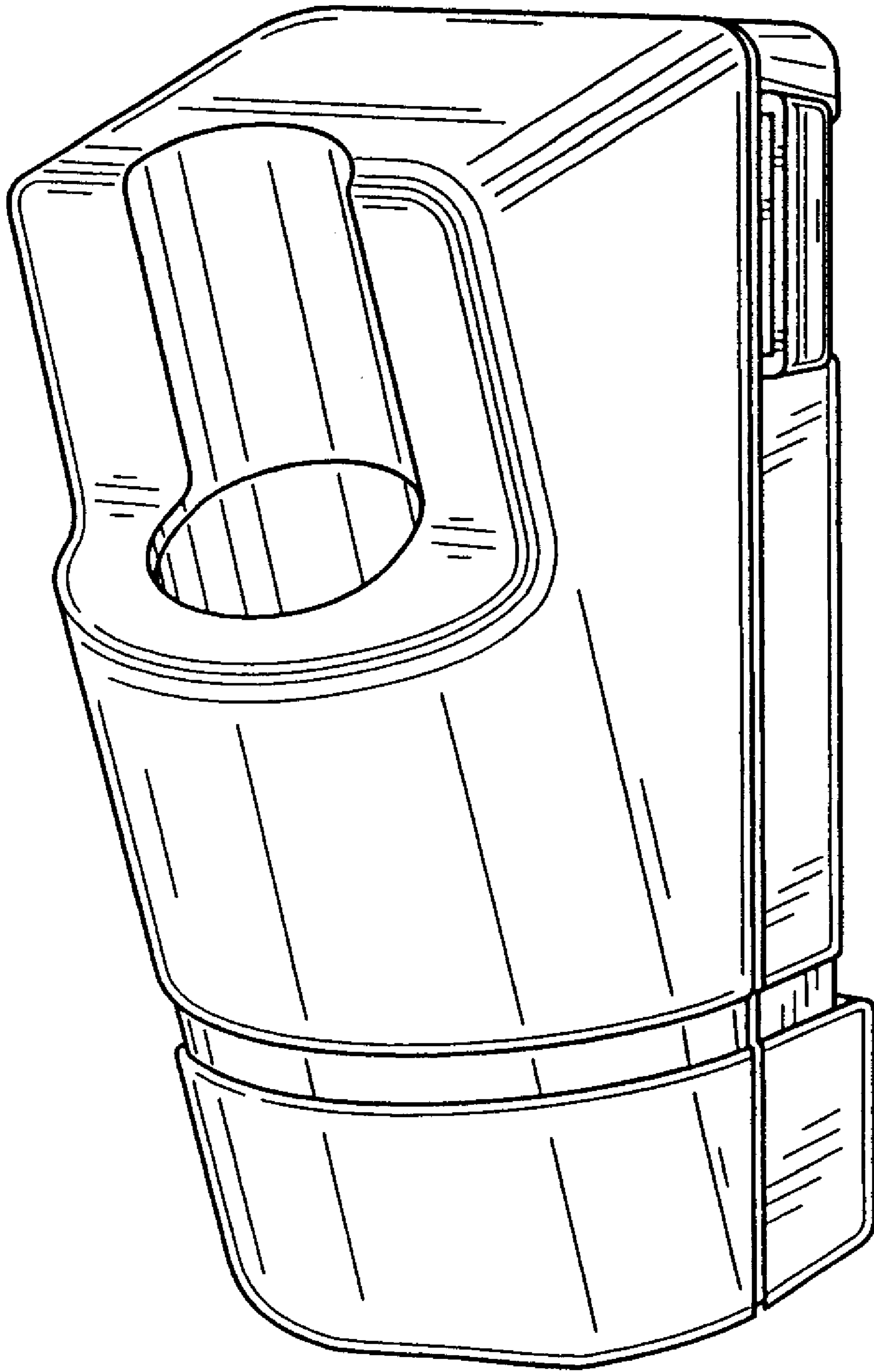


FIG. 1

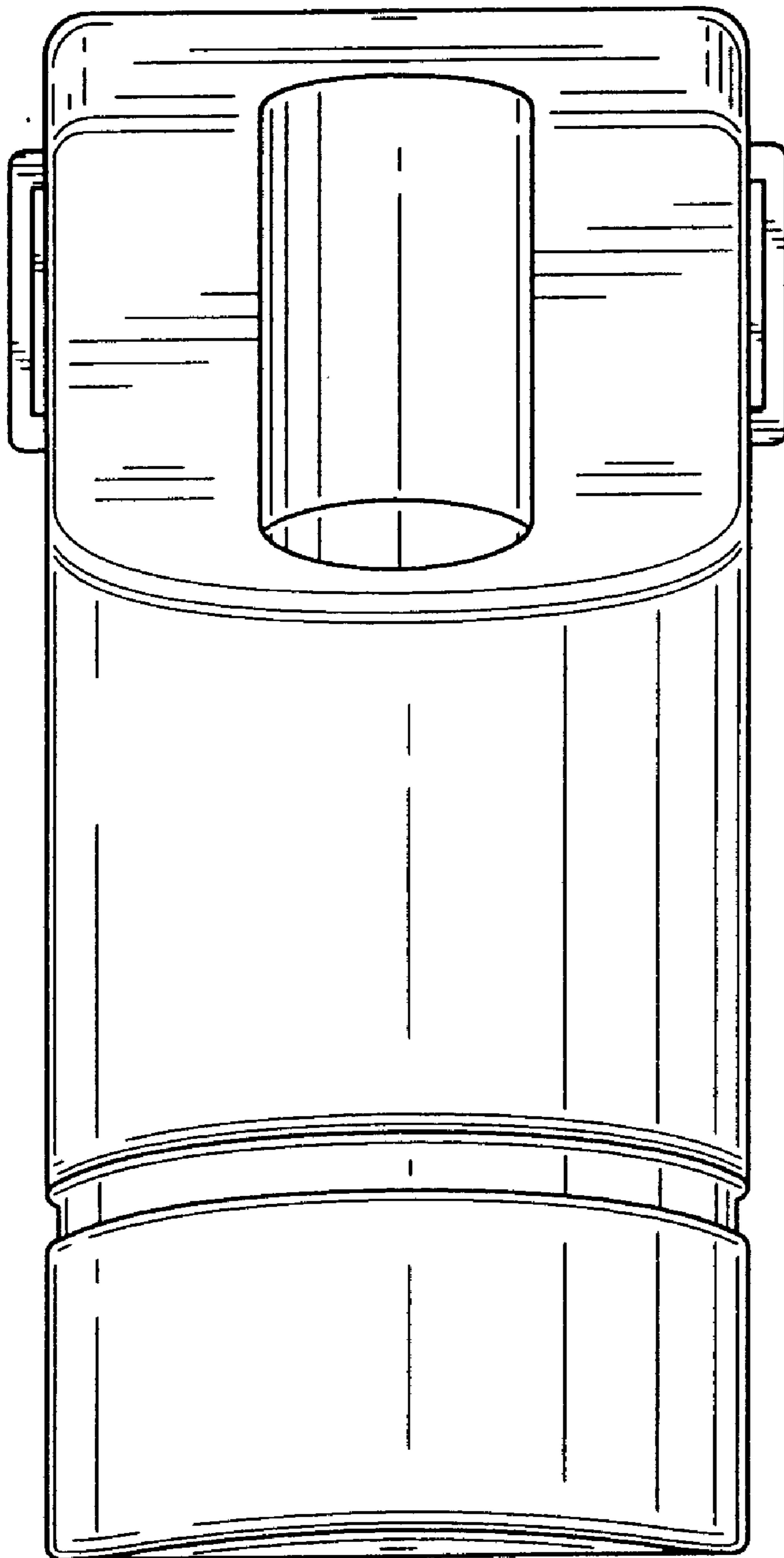


FIG. 2

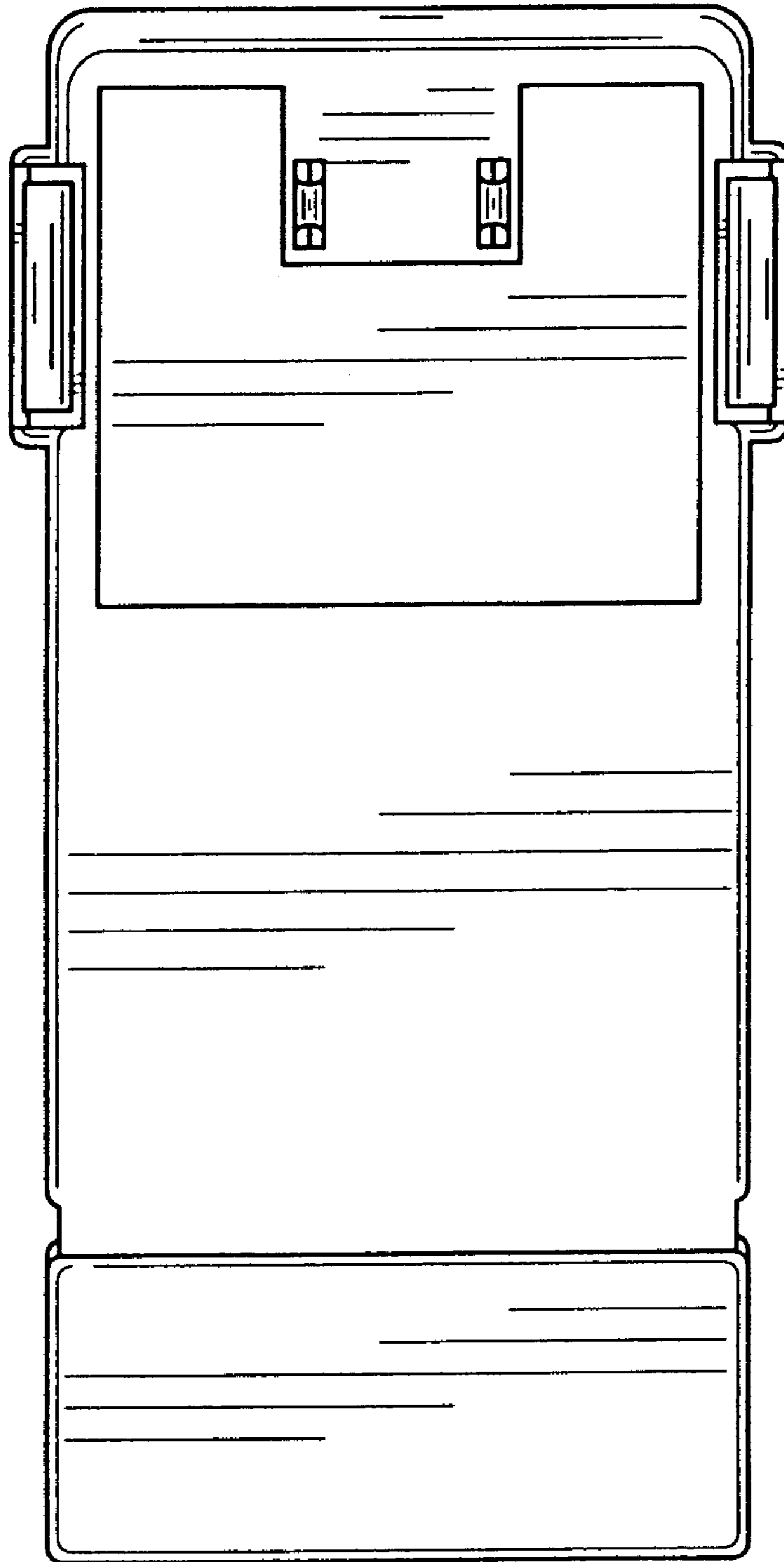


FIG. 3

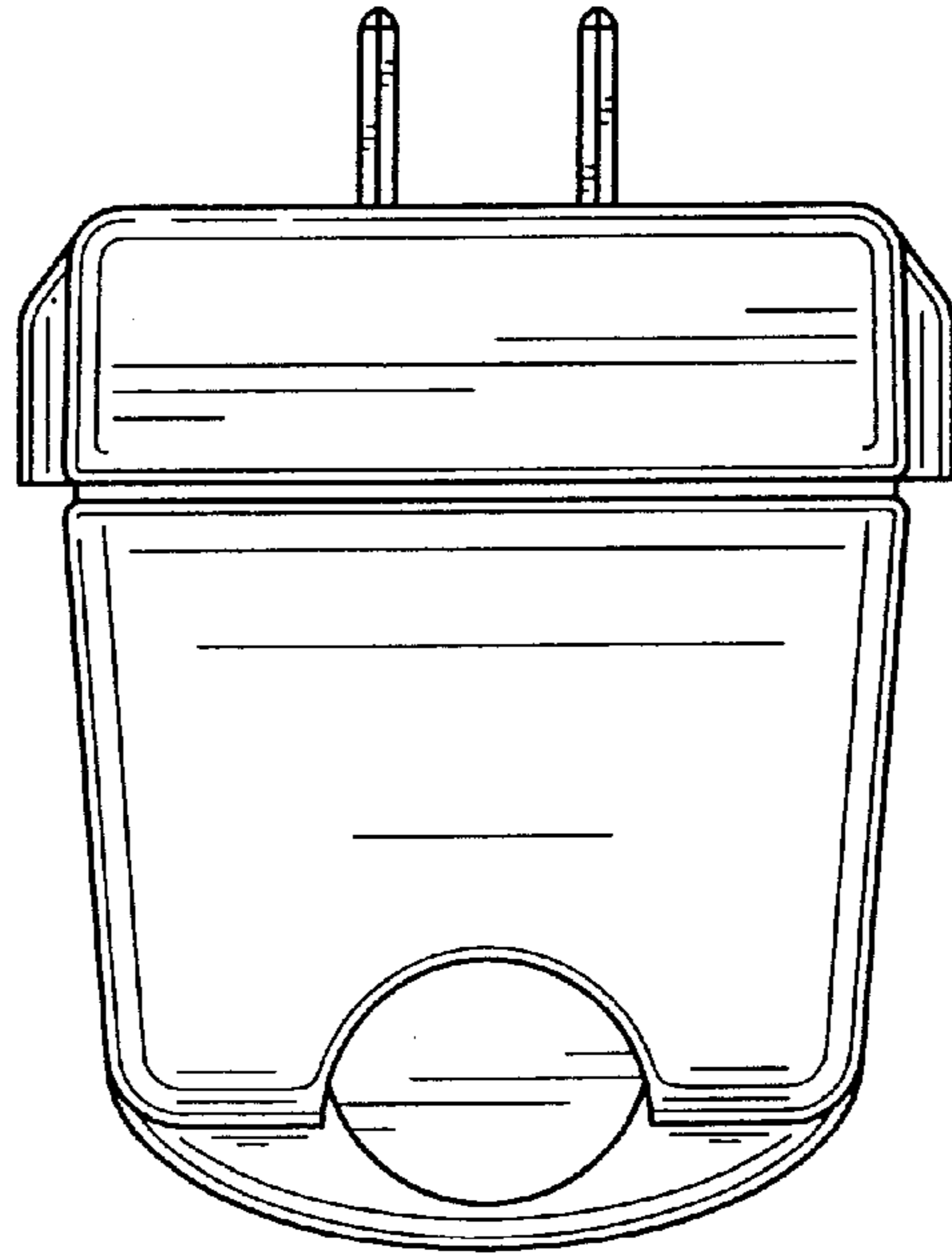


FIG. 4

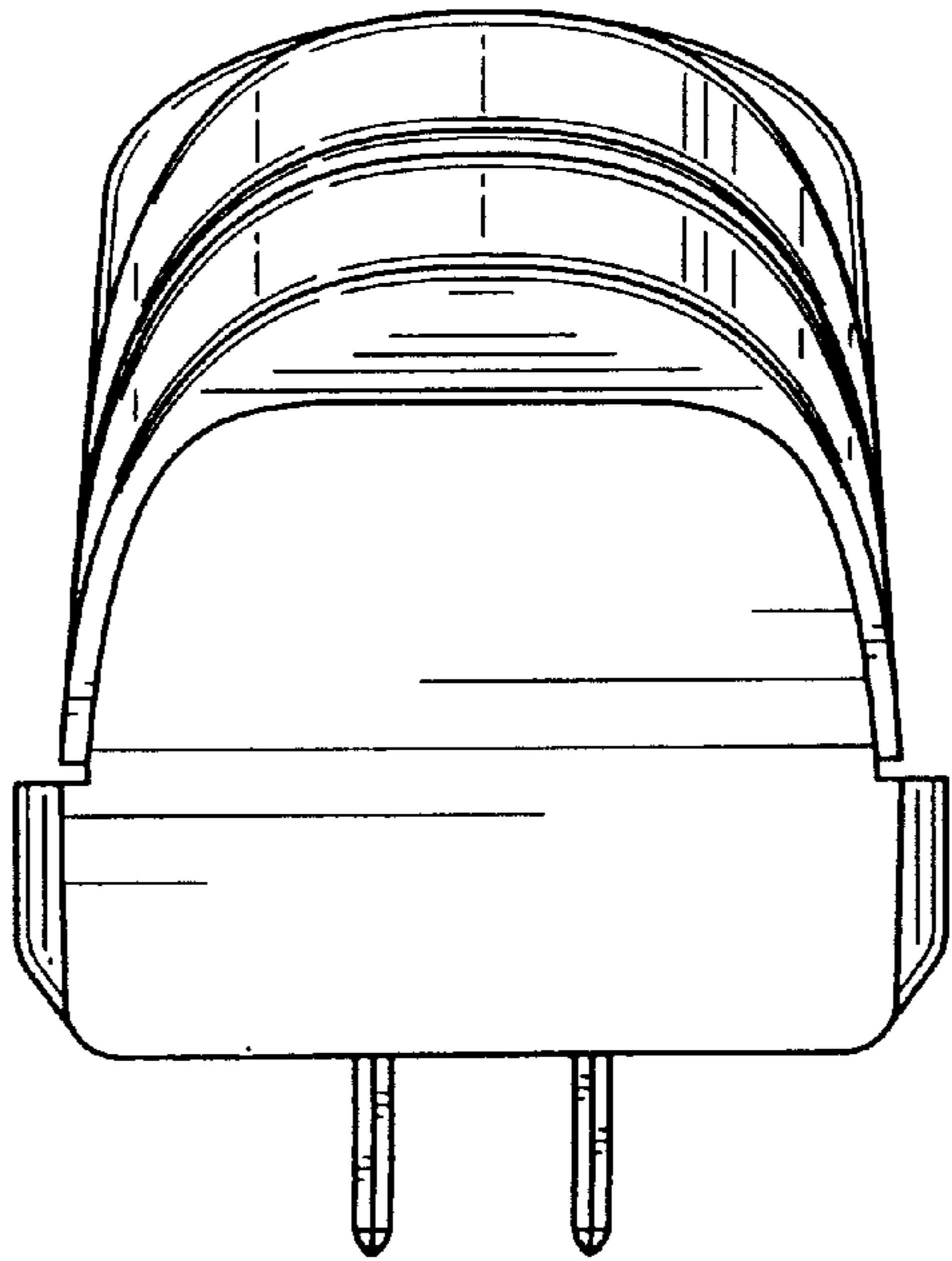


FIG. 5

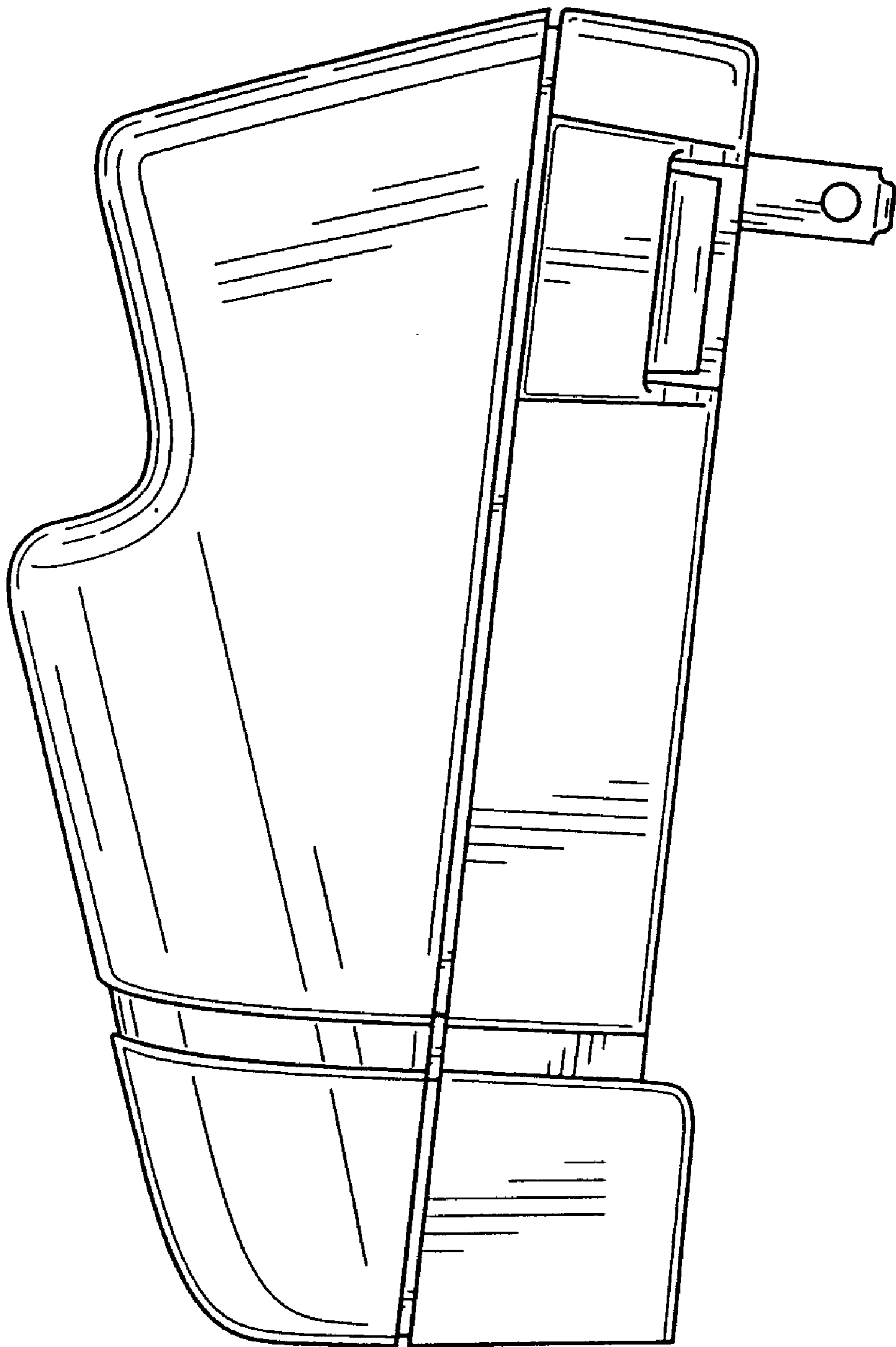


FIG. 6