



US00D418098S

# United States Patent [19]

Wallace

[11] Patent Number: **Des. 418,098**

[45] Date of Patent: **\*\* Dec. 28, 1999**

[54] **ENCLOSURE FOR A TRAILER BRAKE ACTUATING UNIT**

[75] Inventor: **Jeffrey D. Wallace**, Des Moines, Iowa

[73] Assignee: **Dico, Inc.**

[\*\*] Term: **14 Years**

[21] Appl. No.: **29/065,320**

[22] Filed: **Jan. 23, 1997**

[51] **LOC (6) Cl.** ..... **12-16**

[52] **U.S. Cl.** ..... **D12/180**

[58] **Field of Search** ..... D12/180; 188/71.1,  
188/73.3, 73.45, 21, 22

[56] **References Cited**

**U.S. PATENT DOCUMENTS**

D. 342,710	12/1993	Shelton	.....	D12/180
D. 363,052	10/1995	Laird	.....	D12/180
D. 376,340	12/1996	Davidson et al.	.....	D12/180
D. 376,448	12/1996	McCoy et al.	.....	D12/180
D. 377,468	1/1997	Gallagher	.....	D12/159
D. 392,234	3/1998	Wallace	.....	D12/180

*Primary Examiner*—Melody N. Brown  
*Attorney, Agent, or Firm*—Kent A. Herink, Esq.; Daniel A. Rosenberg, Esq.; Davis, Brown, Koehn, Shors & Roberts, P.C.

[57] **CLAIM**

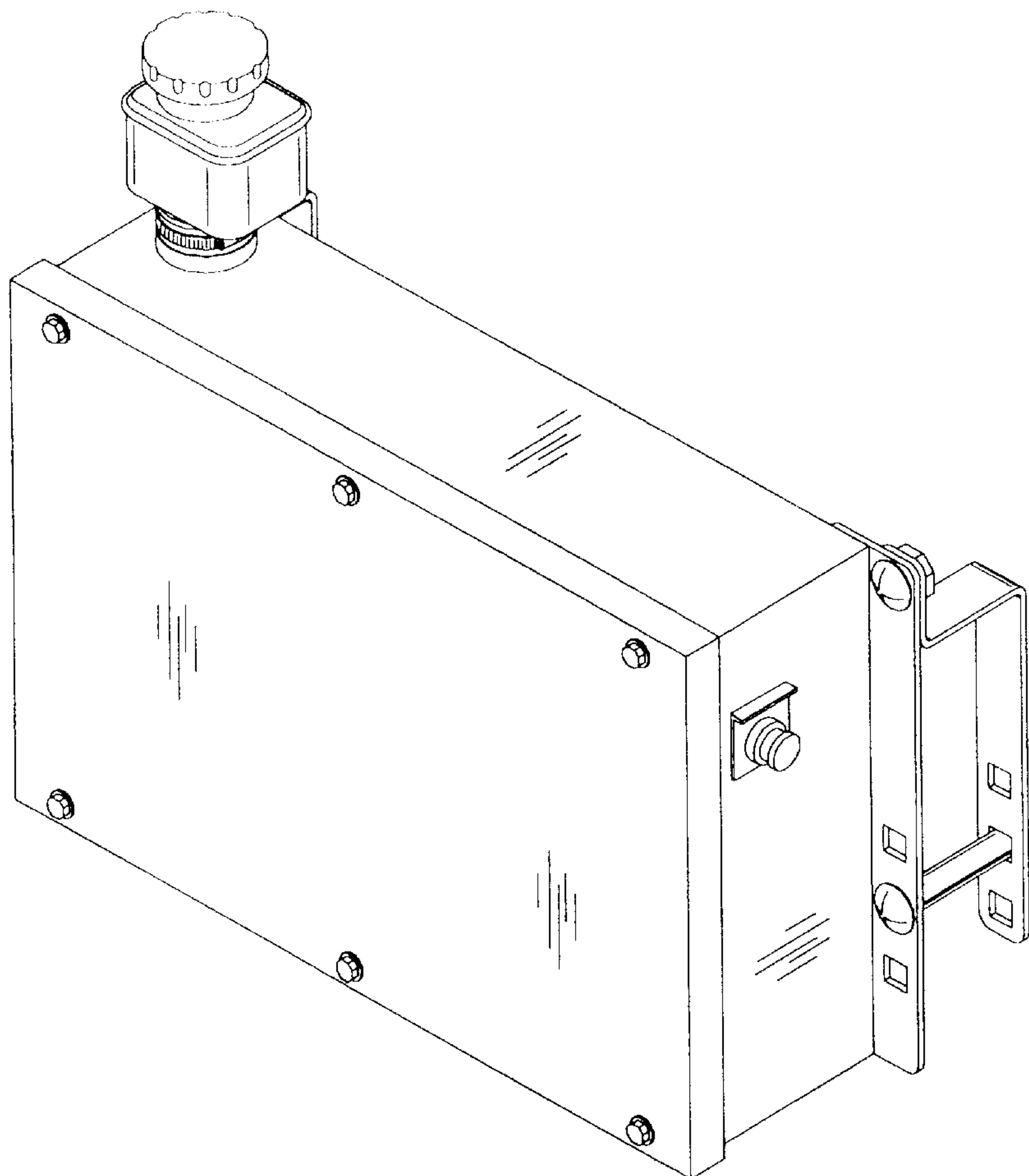
The ornamental design for an enclosure for a trailer brake actuating unit, as shown and described.

**DESCRIPTION**

FIG. 1 is a front perspective view of the enclosure for a trailer brake actuating unit of the present invention; FIG. 2 is a side view in elevation of the enclosure for a trailer brake actuating unit of FIG. 1, as seen from the left side of FIG. 1; FIG. 3 is front view in elevation of the enclosure for a trailer brake actuating unit of FIG. 1; FIG. 4 is a side view in elevation of the enclosure for a trailer brake actuating unit of FIG. 1, as seen from the right side of FIG. 1; FIG. 5 is a rear view in elevation of the enclosure for a trailer brake actuating unit of FIG. 1; and, FIG. 6 is a top plan view of the enclosure for a trailer brake actuating unit of FIG. 1.

The bottom of the enclosure for a trailer brake actuating unit is plain and unornamented.

**1 Claim, 3 Drawing Sheets**



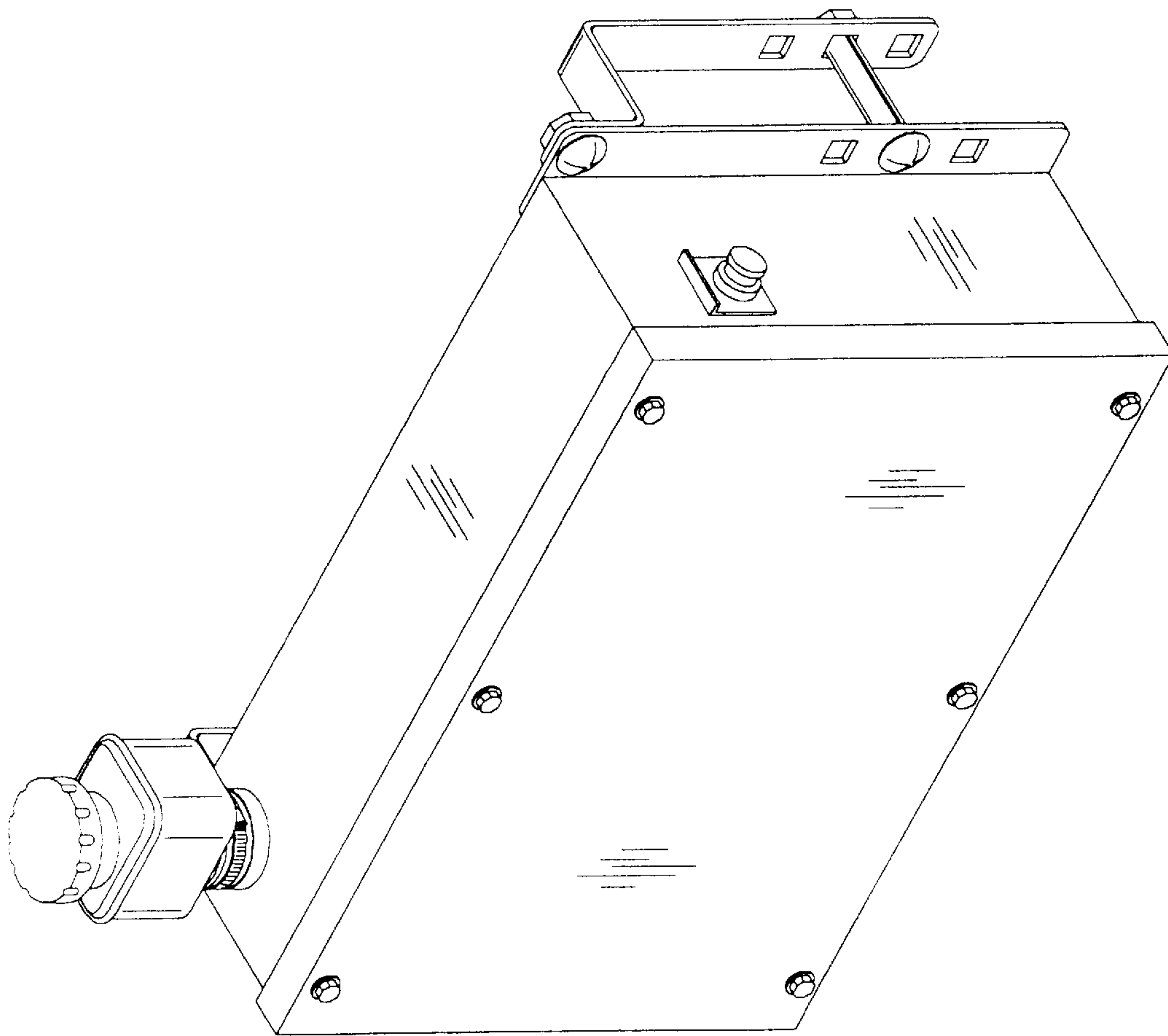


FIG. 1

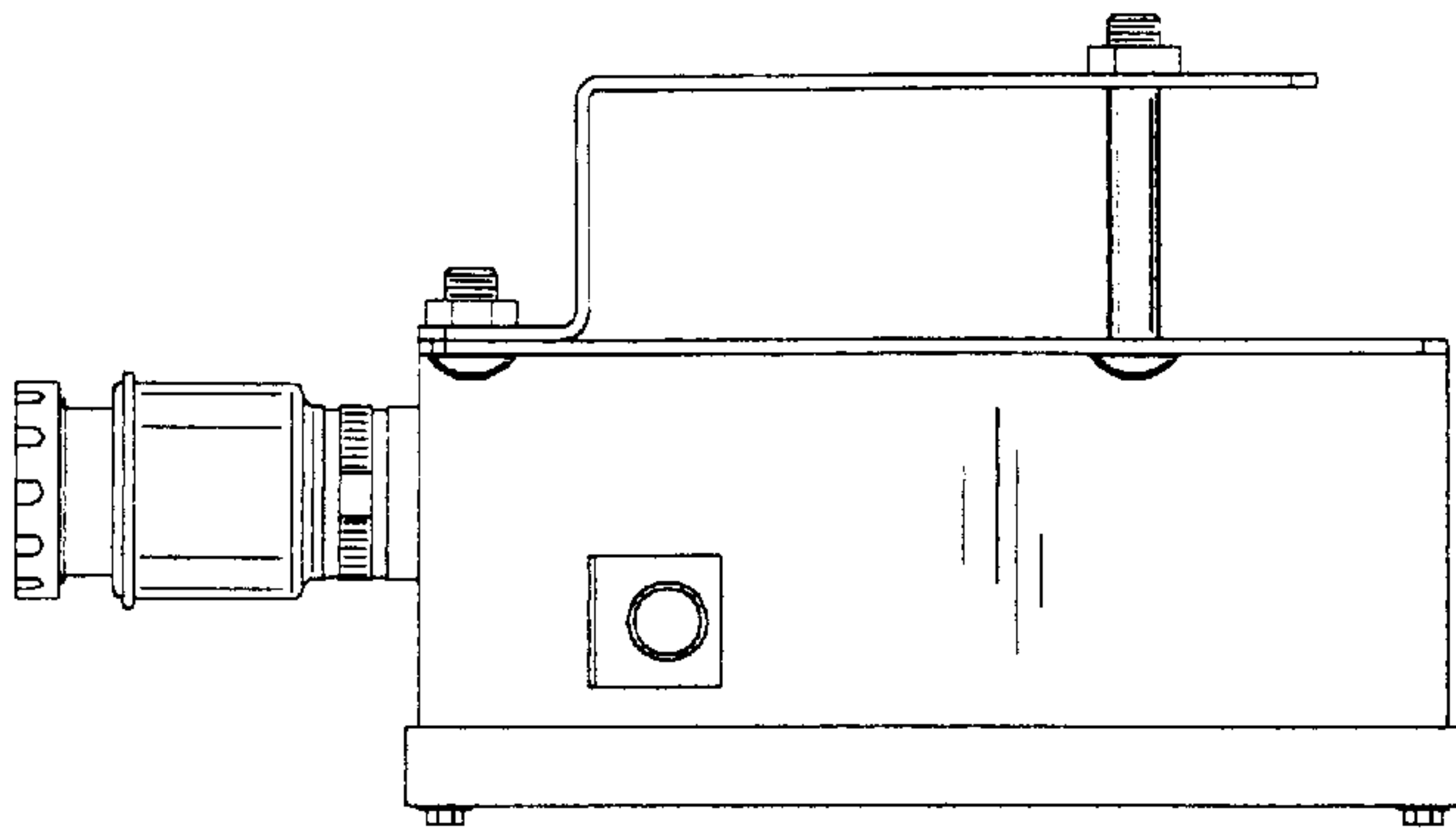


FIG. 4

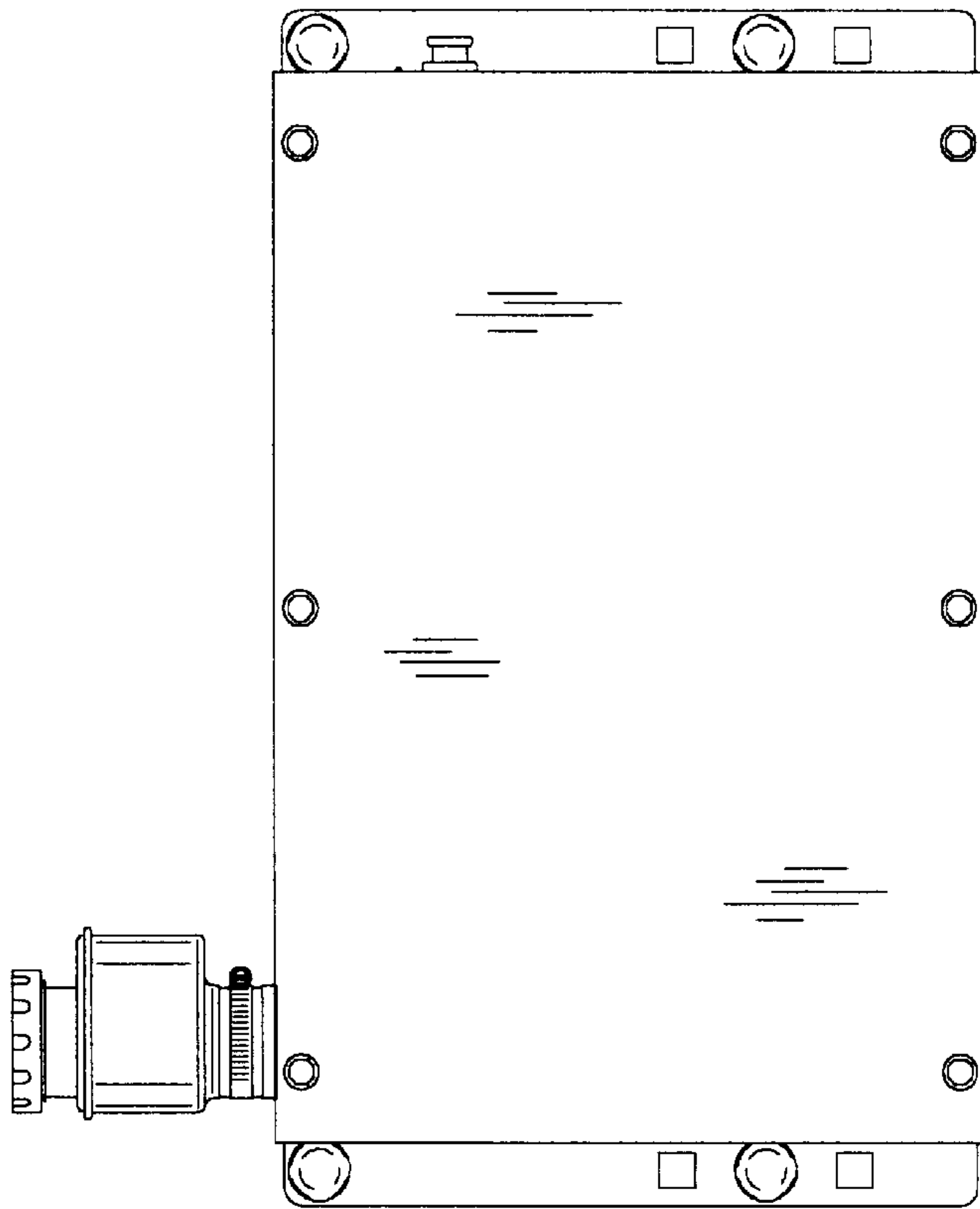


FIG. 3

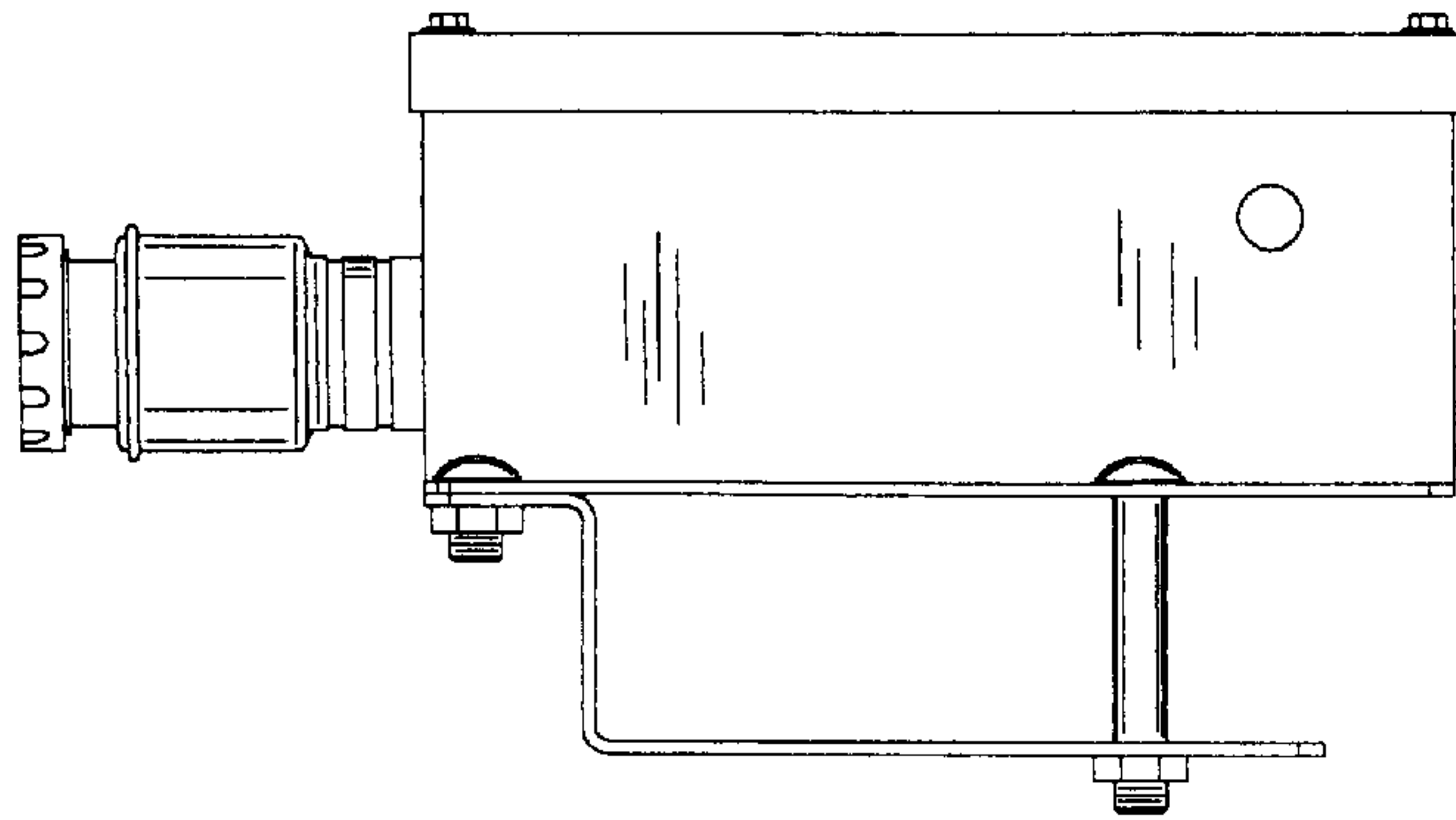


FIG. 2

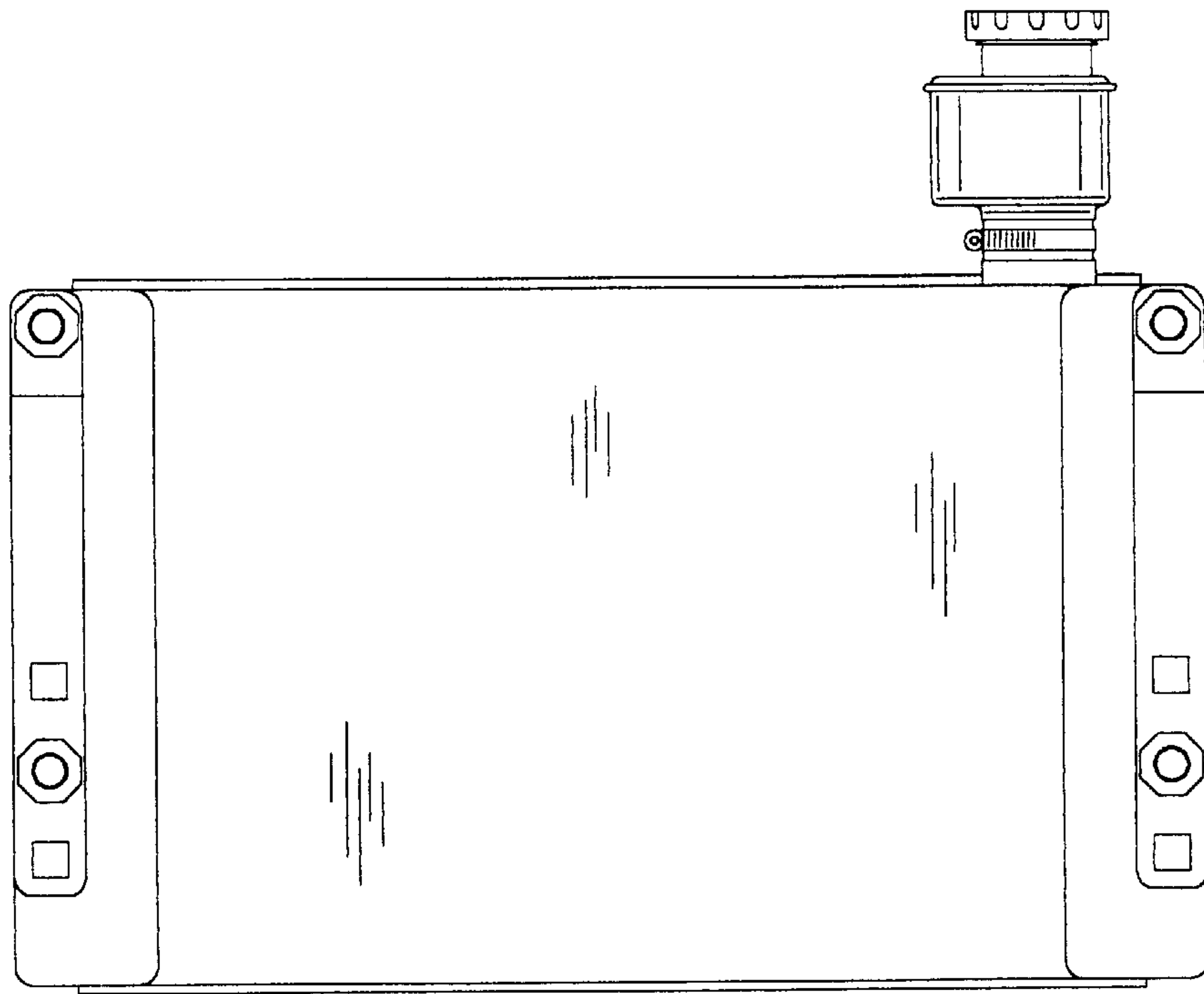


FIG. 5

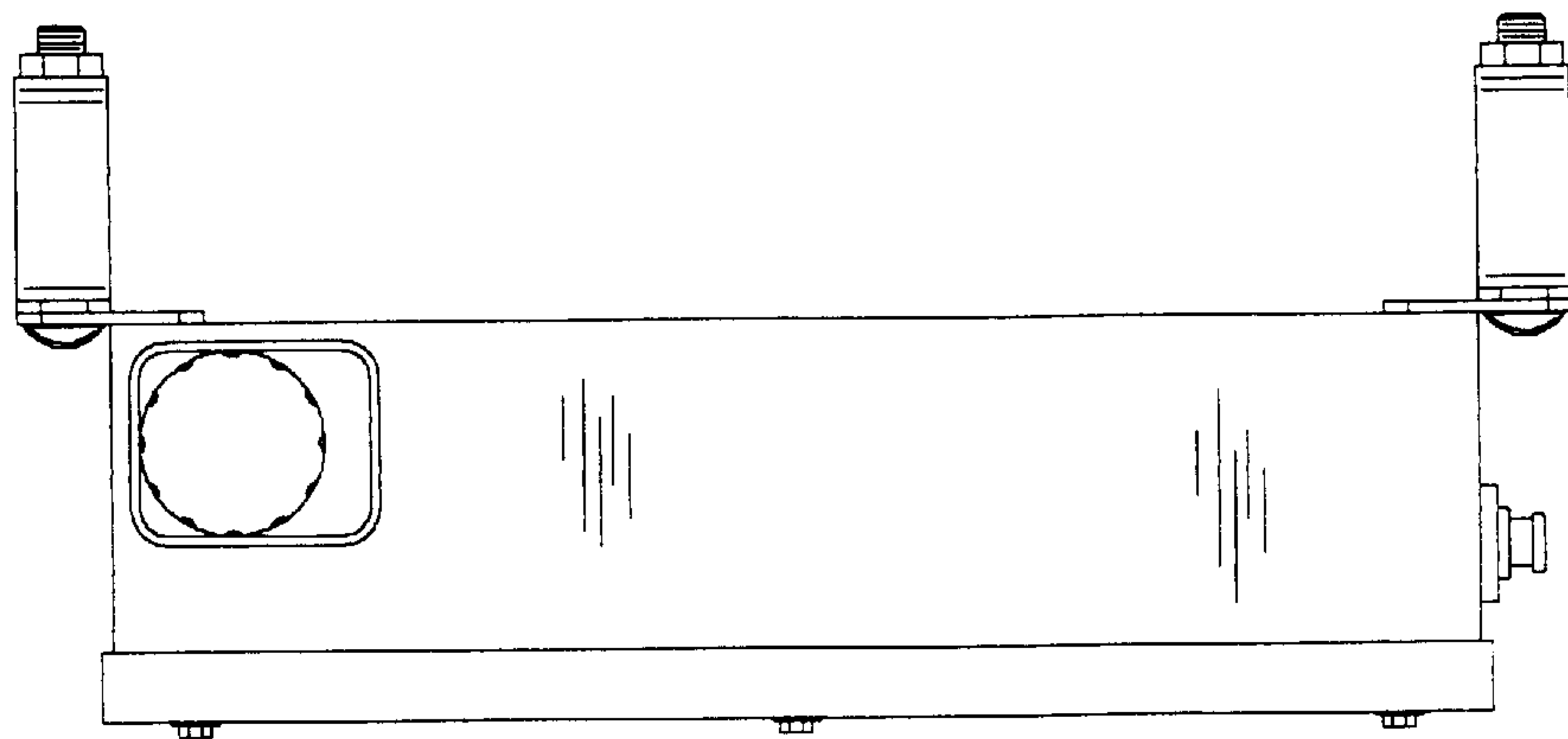


FIG. 6