



US00D418096S

United States Patent [19]
Hubbart

[11] **Patent Number: Des. 418,096**

[45] **Date of Patent: ** Dec. 28, 1999**

[54] **HANDLEBAR GRIP STORAGE DEVICE**

[76] **Inventor: Douglas J. Hubbart**, 5415 S. Elmwood St., Littleton, Colo. 80120

[**] **Term: 14 Years**

[21] **Appl. No.: 29/078,200**

[22] **Filed: Oct. 22, 1997**

[51] **LOC (6) Cl. 12-16**

[52] **U.S. Cl. D12/178**

[58] **Field of Search** D12/178, 114, D12/111, 162; 280/288.4, 202.1, 304.3, 494; 74/551.1, 551.3, 551.7-551.9

[56] **References Cited**

U.S. PATENT DOCUMENTS

D. 337,748	7/1993	Adams	D12/178
D. 342,050	12/1993	Gustafsson	D12/178
4,856,364	8/1989	Dixon	74/551.8
4,901,209	2/1990	Nitz	362/72
5,347,835	9/1994	Dewey	70/202

Primary Examiner—Pamela Burgess
Attorney, Agent, or Firm—Brian C. Kelly

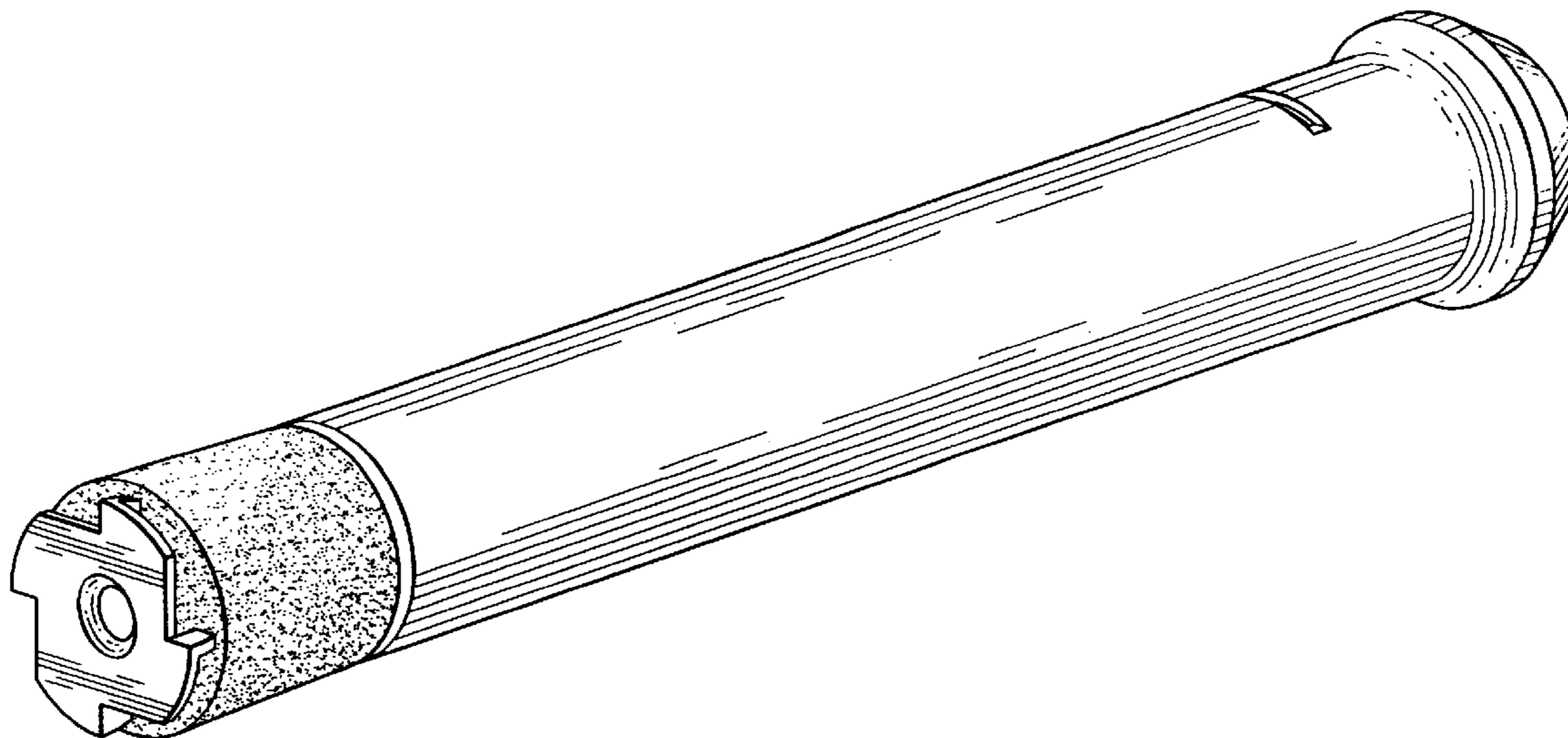
[57] **CLAIM**

The ornamental design for a handlebar grip storage device, as shown and described.

DESCRIPTION

FIG. 1 is a rear perspective view of a handlebar grip storage device showing my new design; FIG. 2 is a top plan view thereof; FIG. 3 is a bottom plan view thereof; FIG. 4 is a left side view thereof, the undisclosed right side being a mirror image; FIG. 5 is a front elevational view thereof; FIG. 6 is a rear elevational view thereof; FIG. 7 is an exploded front perspective view thereof, with the inner sleeve shown separately for clarity of disclosure; FIG. 8 is a top plan view thereof; FIG. 9 is a left side elevational view thereof; FIG. 10 is a right side elevational view thereof; FIG. 11 is a bottom plan view thereof; FIG. 12 is a rear elevational view thereof; FIG. 13 is a front elevational view thereof; and, FIG. 14 is a front perspective view in a fully assembled condition, the broken lines shown are for illustrative purposes only and form no part of the claimed design.

1 Claim, 3 Drawing Sheets



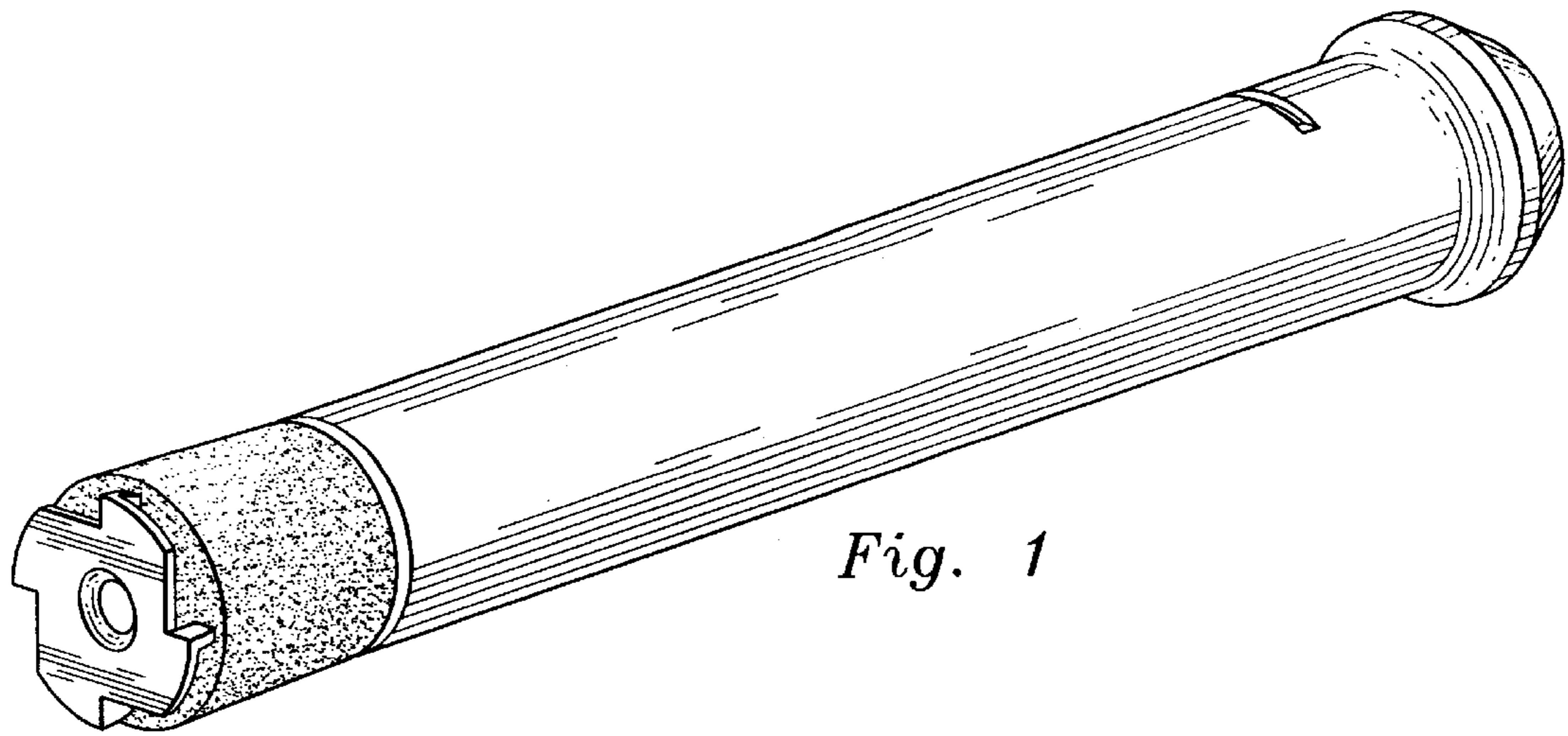


Fig. 1

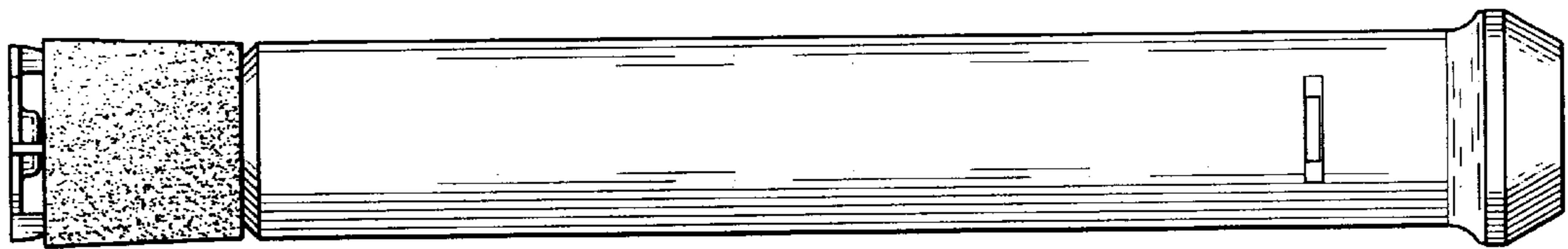


Fig. 2

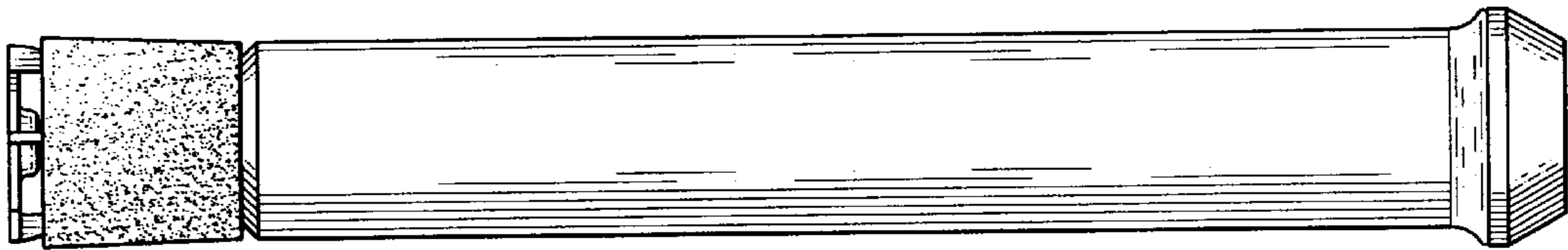


Fig. 3

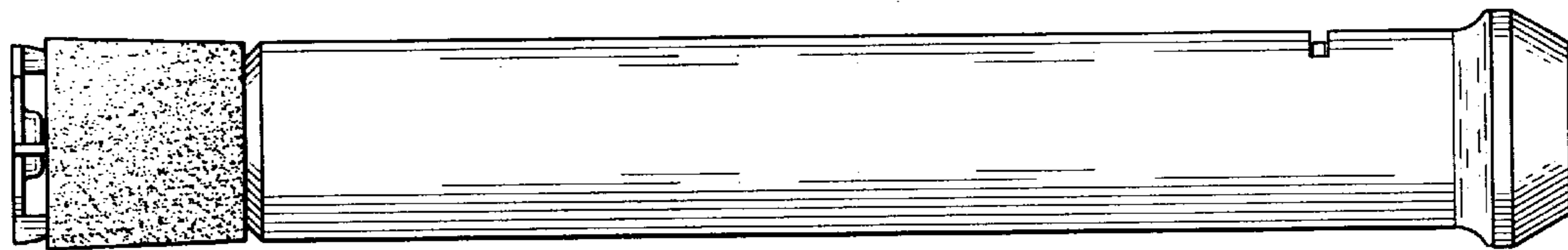


Fig. 4

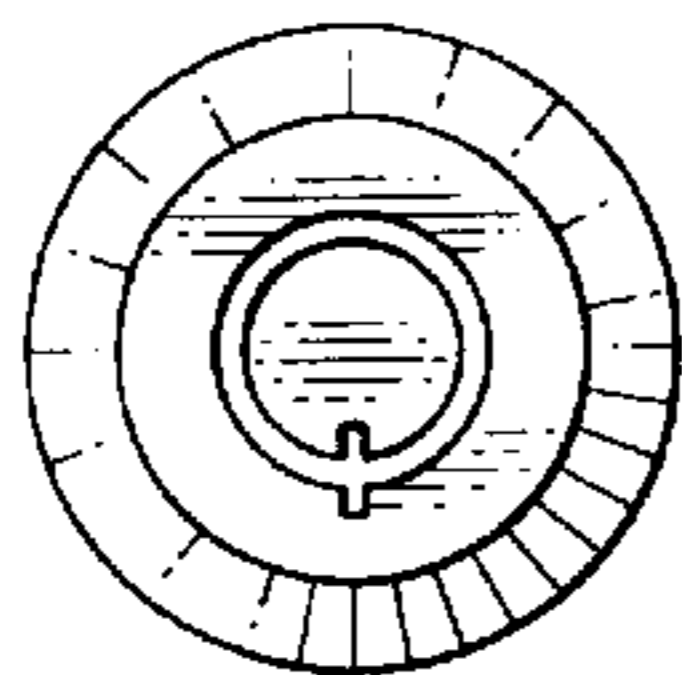


Fig. 5

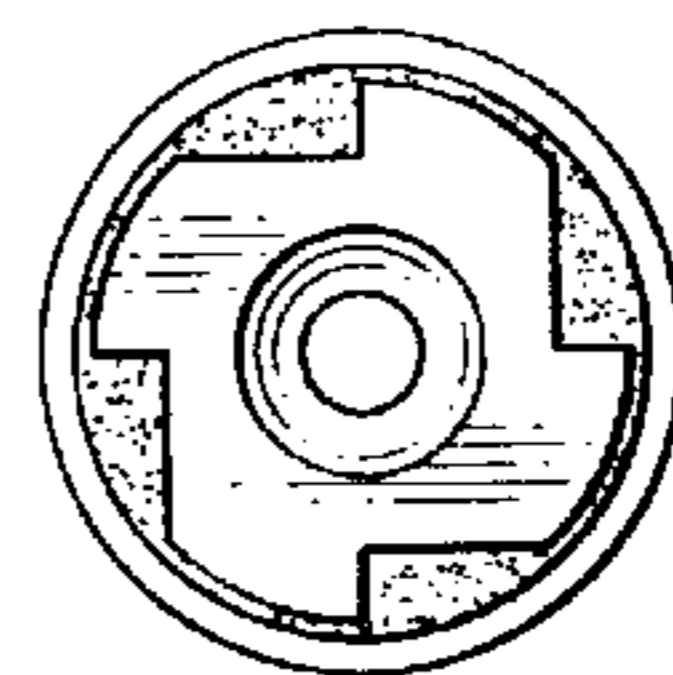


Fig. 6

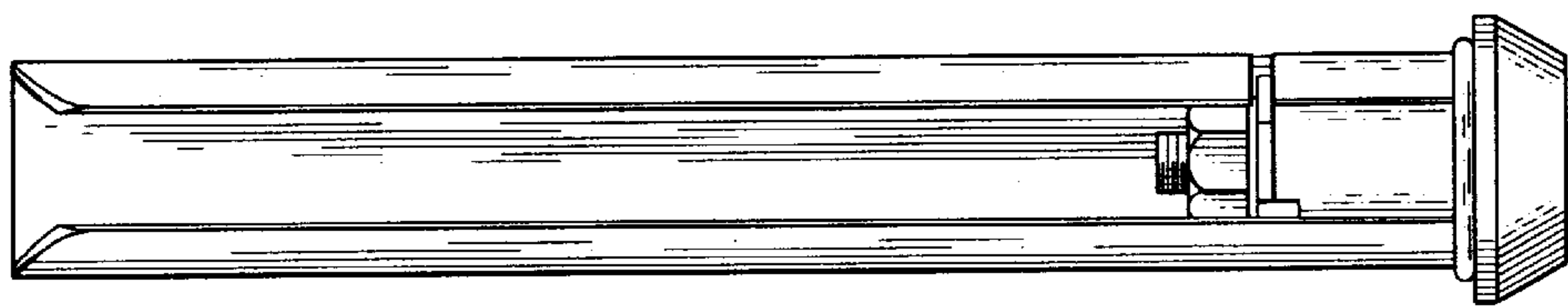
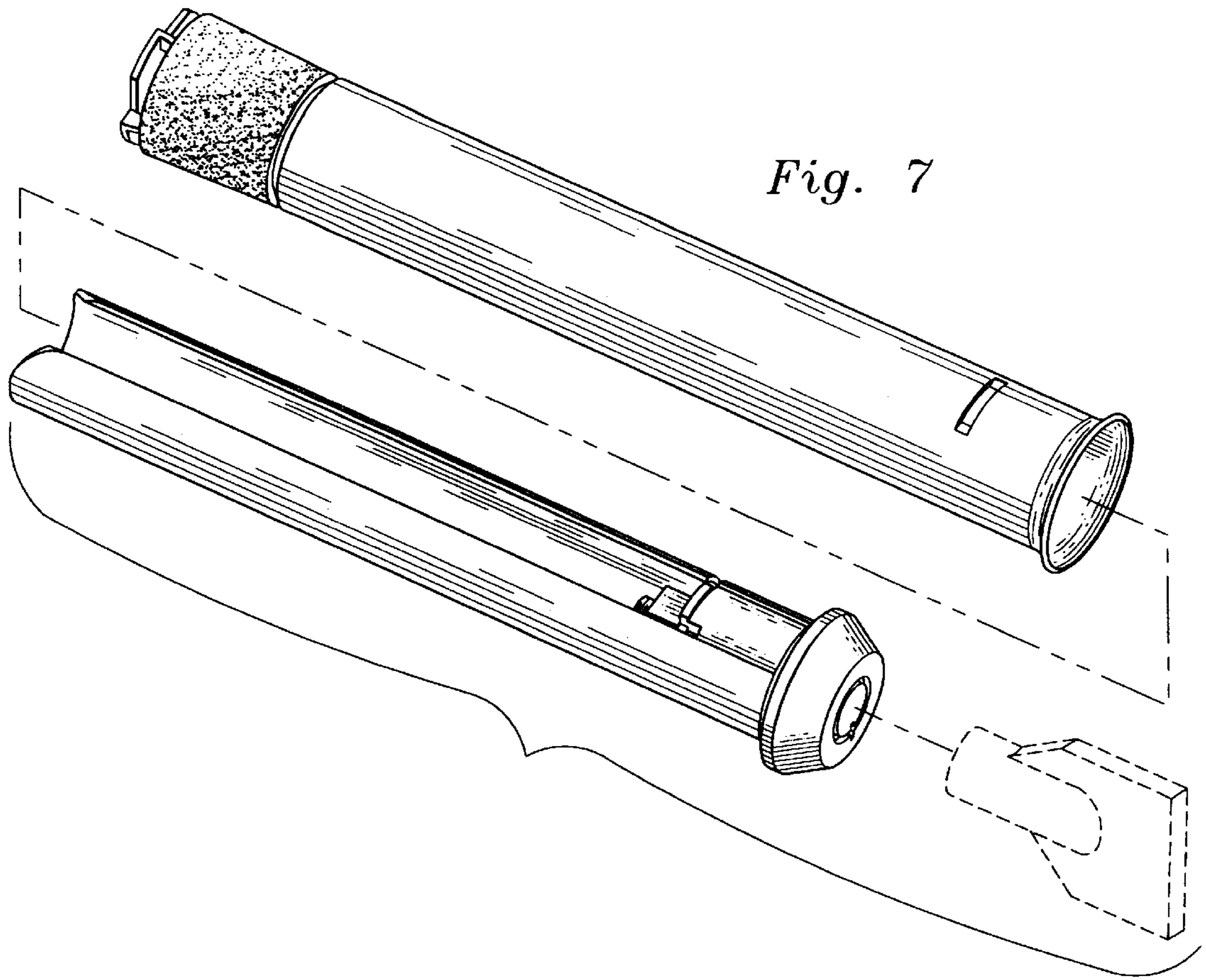


Fig. 8

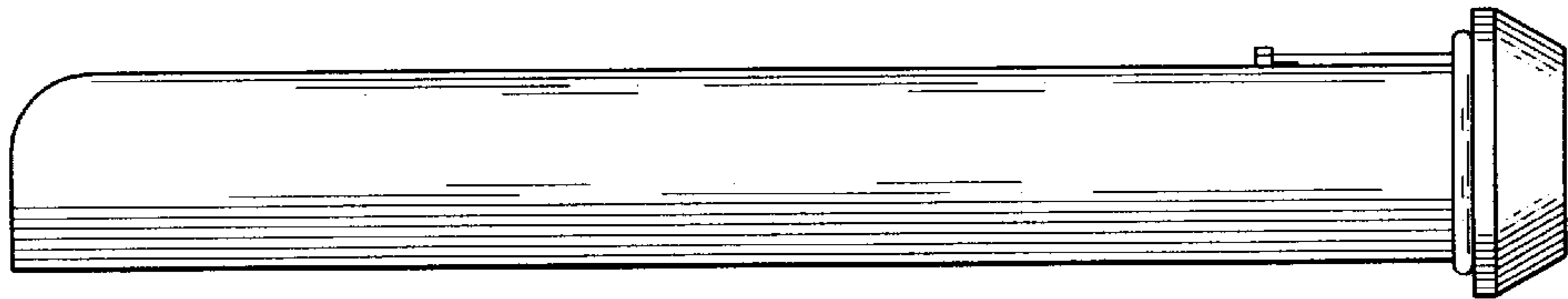


Fig. 9

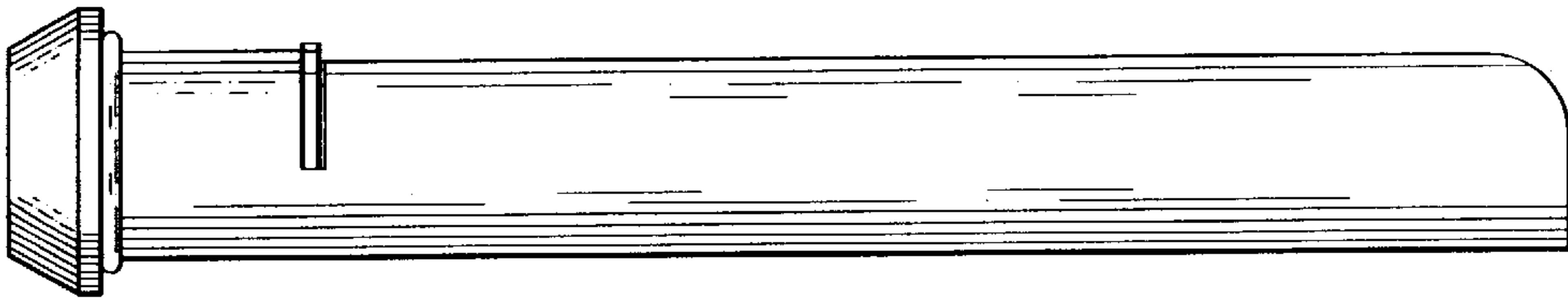


Fig. 10

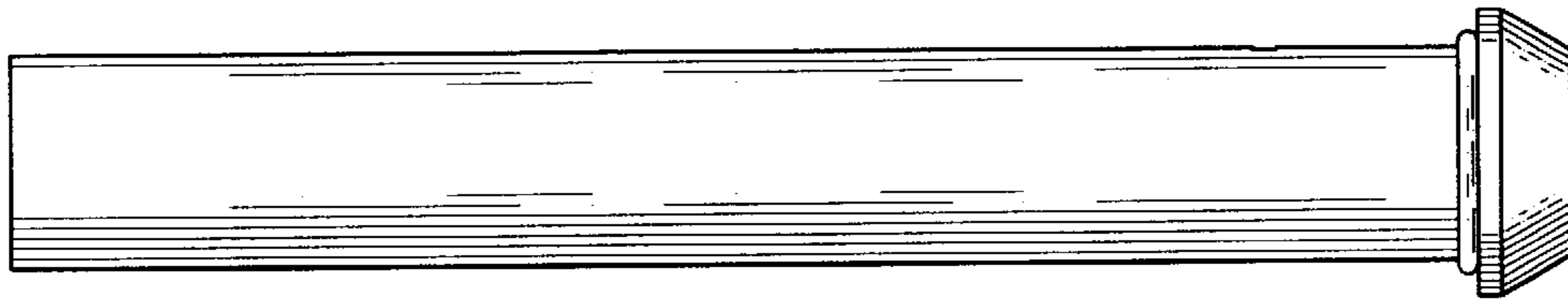


Fig. 11

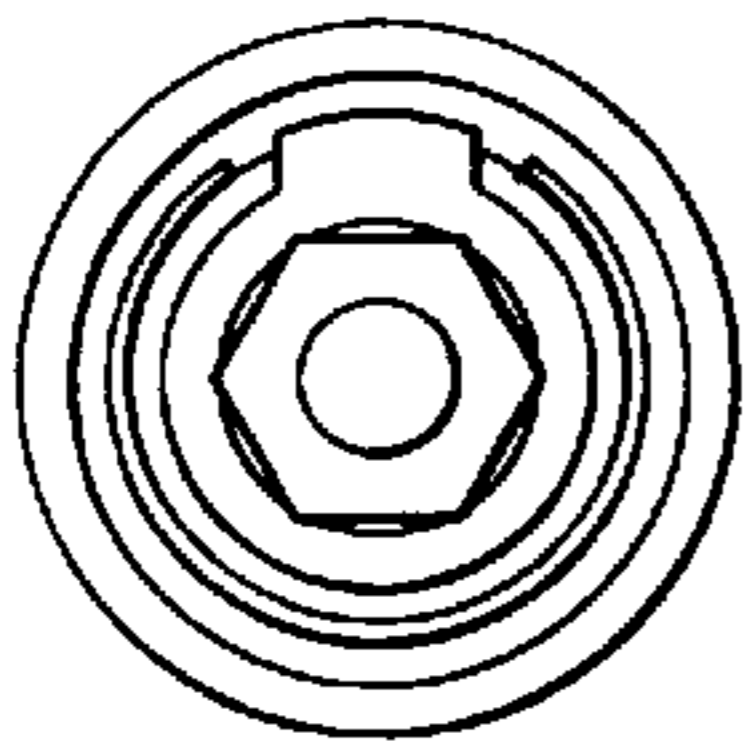


Fig. 12

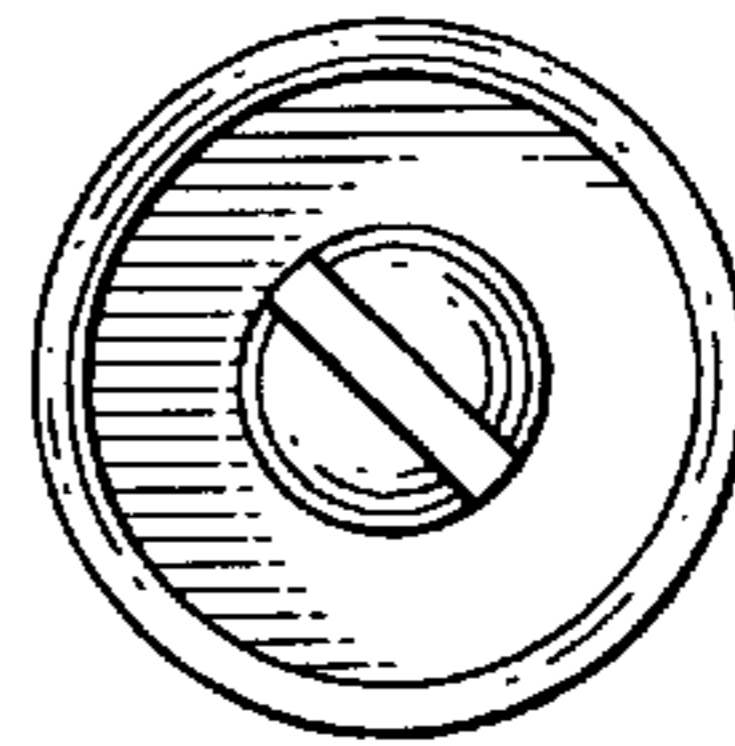


Fig. 13

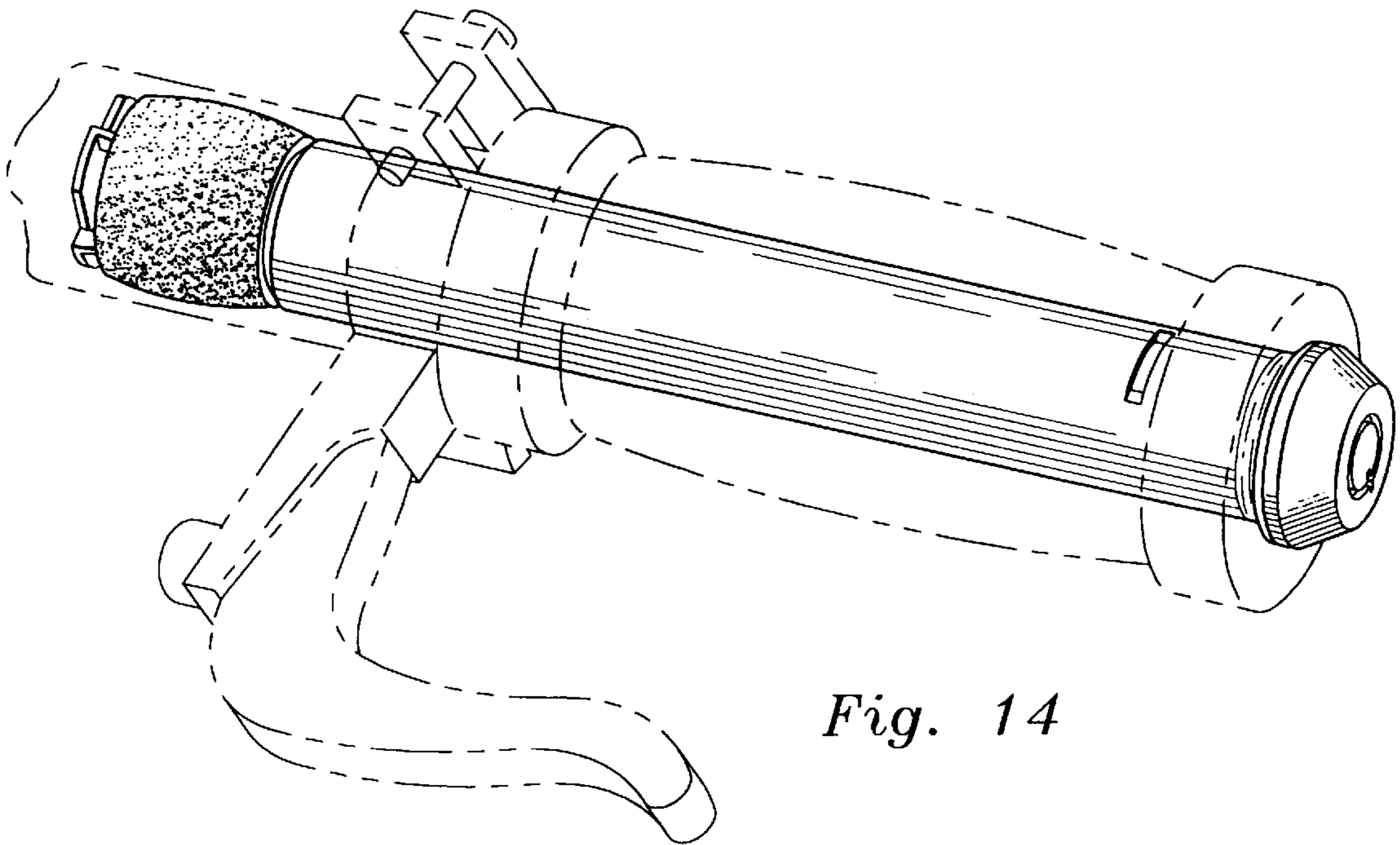


Fig. 14