



US00D418094S

United States Patent [19]

[11] Patent Number: **Des. 418,094**

Schmidt et al.

[45] Date of Patent: **** Dec. 28, 1999**

[54] **BALL MOUNT HEAD FOR A WEIGHT DISTRIBUTING HITCH**

[75] Inventors: **Kenneth R. Schmidt; Jason J. Bennett**, both of Canton, Mich.

[73] Assignee: **Draw-Tite, Inc.**, Canton, Mich.

[**] Term: **14 Years**

[21] Appl. No.: **29/078,616**

[22] Filed: **Oct. 16, 1997**

Related U.S. Application Data

[63] Continuation of application No. 29/061,687, Oct. 28, 1996, abandoned.

[51] **LOC (6) Cl.** **12-16**

[52] **U.S. Cl.** **D12/162**

[58] **Field of Search** D12/162; 280/406.2, 280/415.1, 451, 480, 490.1, 500, 504, 511

[56] References Cited

U.S. PATENT DOCUMENTS

D. 148,269	1/1948	Askins	D12/162
D. 296,886	7/1988	Young, Jr.	D12/162
D. 375,284	11/1996	Kass et al.	D12/162
2,666,654	11/1954	Gray	280/500
2,952,475	9/1960	Reese	.	
3,151,879	10/1964	Bock	.	
3,185,499	5/1965	Reese	.	
3,220,749	11/1965	Mathisen	.	
3,441,291	4/1969	Morris, Jr.	280/406.2
3,482,856	12/1969	Reese	.	
3,490,788	1/1970	Mann	.	
3,731,950	5/1973	Burcham	280/406.2
4,033,401	7/1977	Lindahl et al.	280/490.1
4,202,562	5/1980	Sorenson	280/415.1

5,375,867	12/1994	Kass et al.	280/406.2
5,509,681	4/1996	Keller	280/415.1
5,562,298	10/1996	Kass et al.	280/406.2
5,566,965	10/1996	Applegate	280/500
5,628,525	5/1997	Kass et al.	280/406.2

OTHER PUBLICATIONS

Reese Trailer Hitches and Towing Accessories Catalog, 1994, p. 9, Dec. 1994.

1995 Reese Catalog, Weight Distributing Ball Mounts, pp. 9 and 10.

Reese Installation instructions, Deluxe Adjustable Ball Mounts, 4 pp., 1994.

Primary Examiner—Robert M. Spear

Attorney, Agent, or Firm—Leon E. Redman; Lloyd D. Doigan

[57] CLAIM

The ornamental design for a ball mount head for a weight distributing hitch, as shown and described.

DESCRIPTION

FIG. 1 is a perspective view of a ball mount head for a weight distributing hitch showing our new design;

FIG. 2 is a rear elevational view thereof;

FIG. 3 is a right side elevational view thereof;

FIG. 4 is a left side elevational view thereof;

FIG. 5 is a front elevational view thereof;

FIG. 6 is a top plan view thereof;

FIG. 7 is a bottom plan view thereof;

FIG. 8 is a cross-sectional view thereof taken along the lines 8—8 of FIG. 2;

FIG. 9 is a cross-sectional view thereof taken along the lines 9—9 of FIG. 2; and,

FIG. 10 is a fragmentary cross-sectional view thereof taken along the lines 10—10 of FIG. 9.

1 Claim, 3 Drawing Sheets

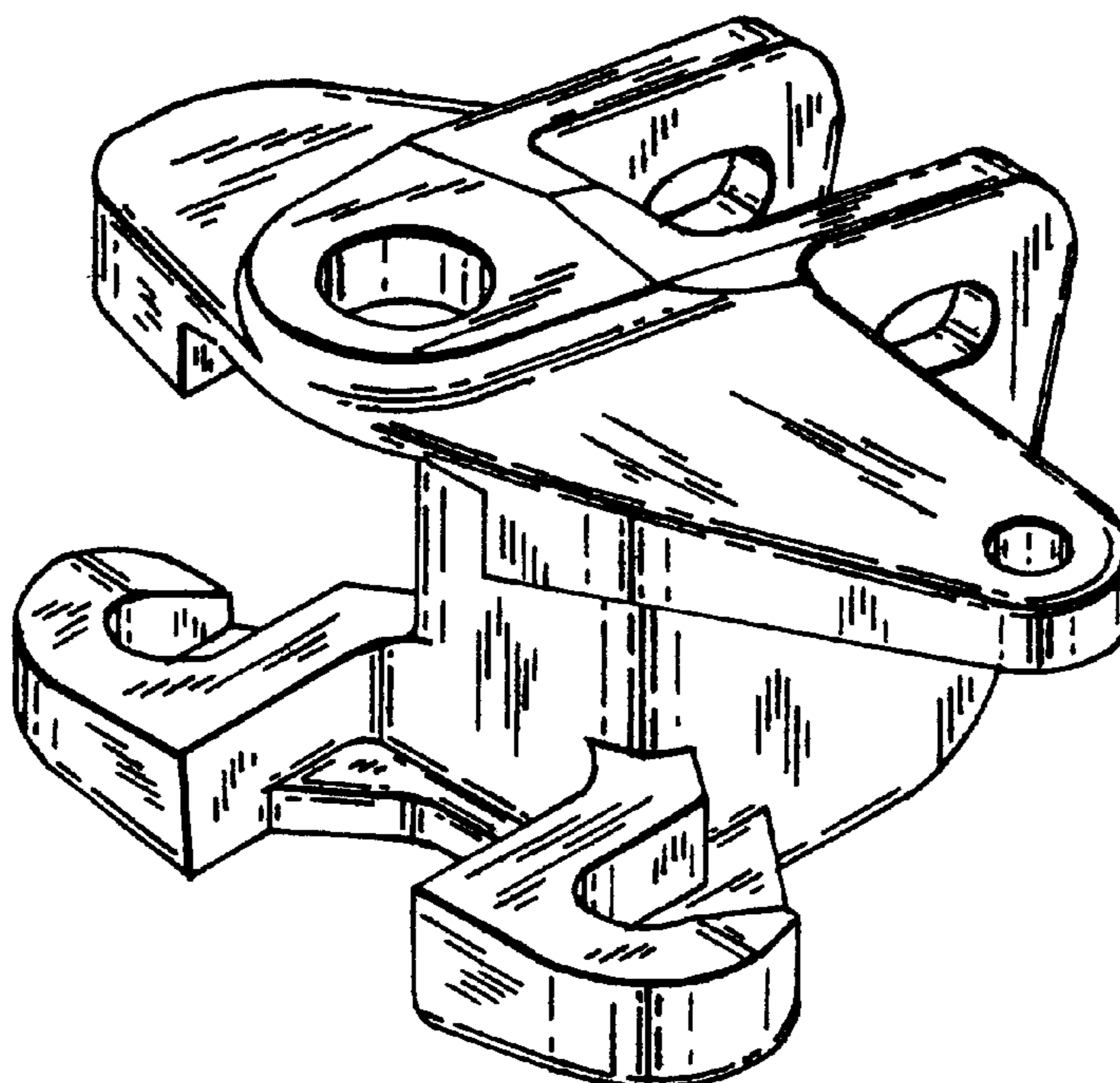


FIG. 1.

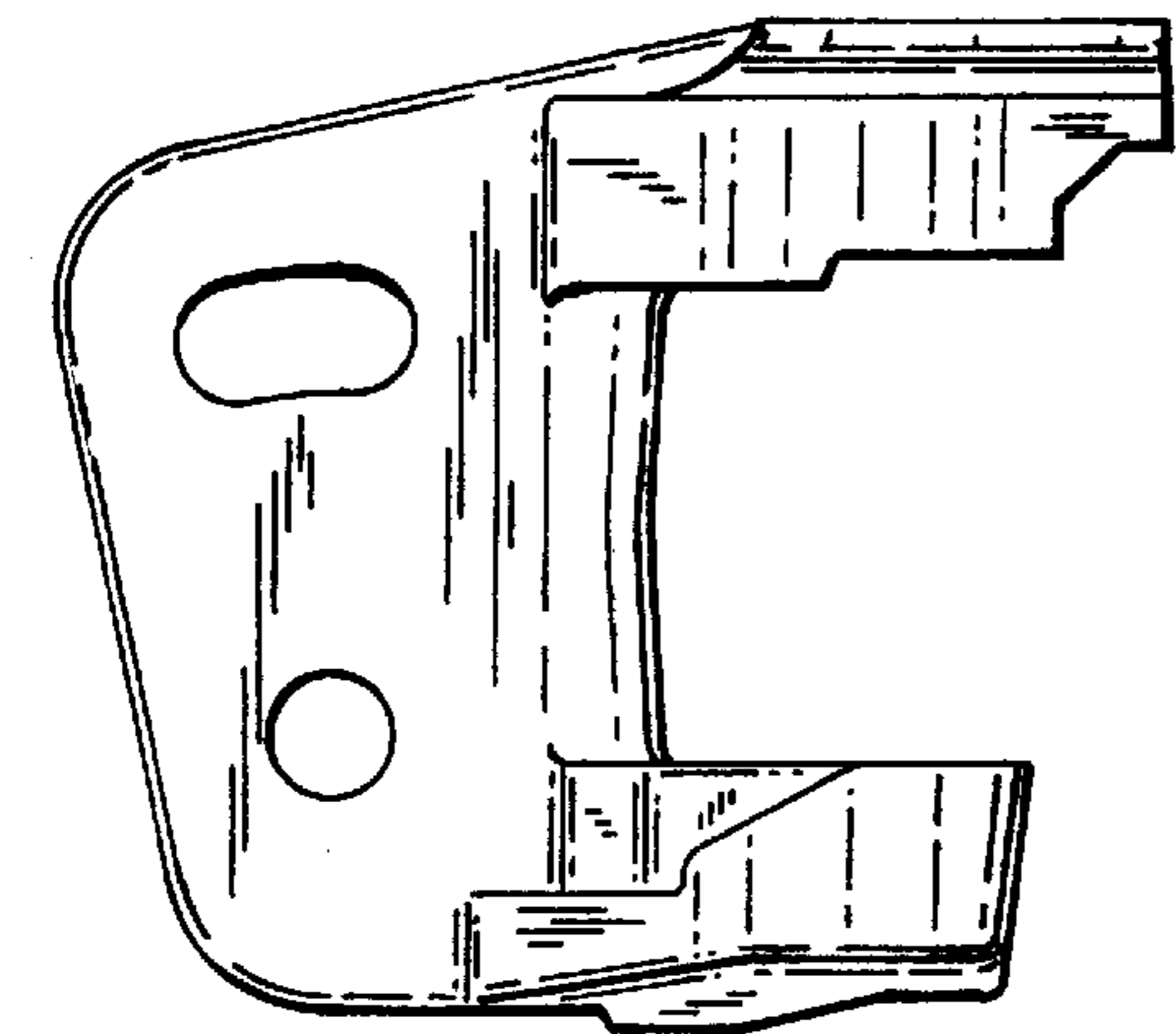
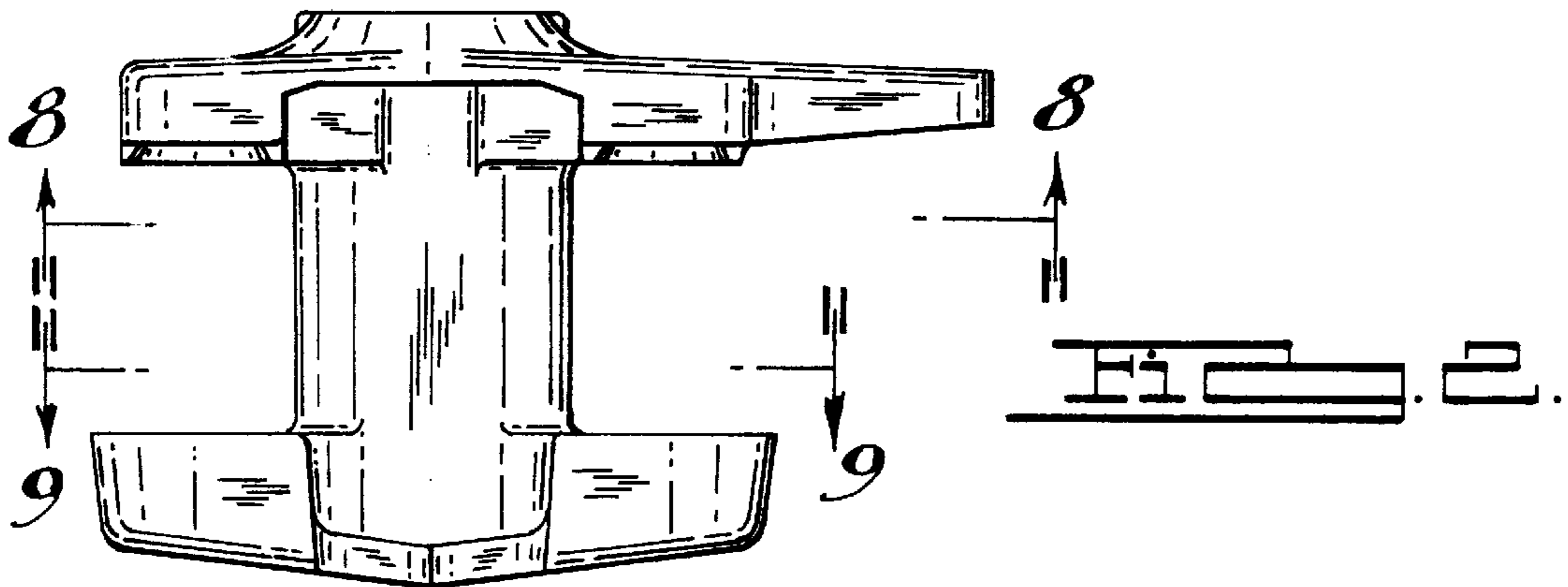
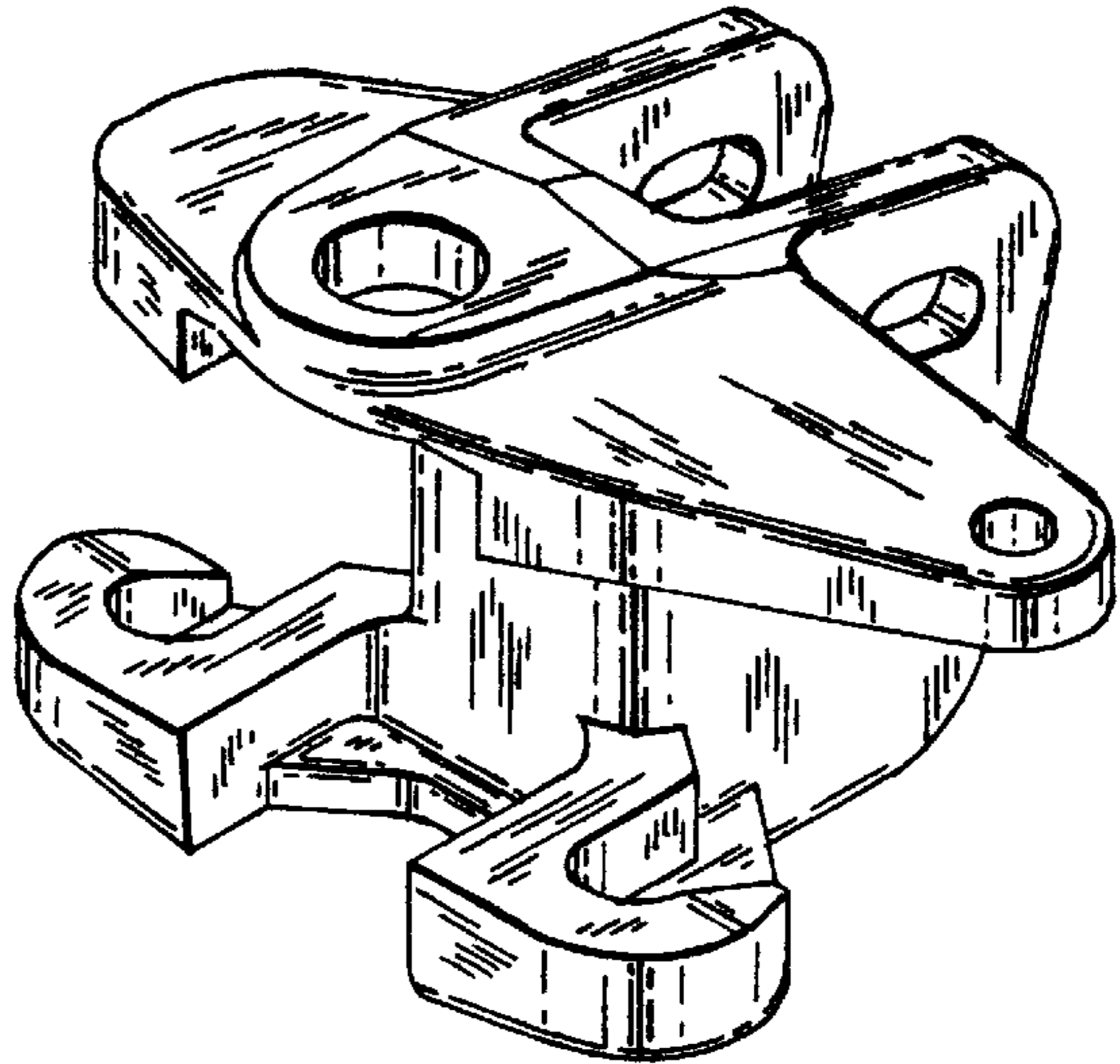


FIG. 3.

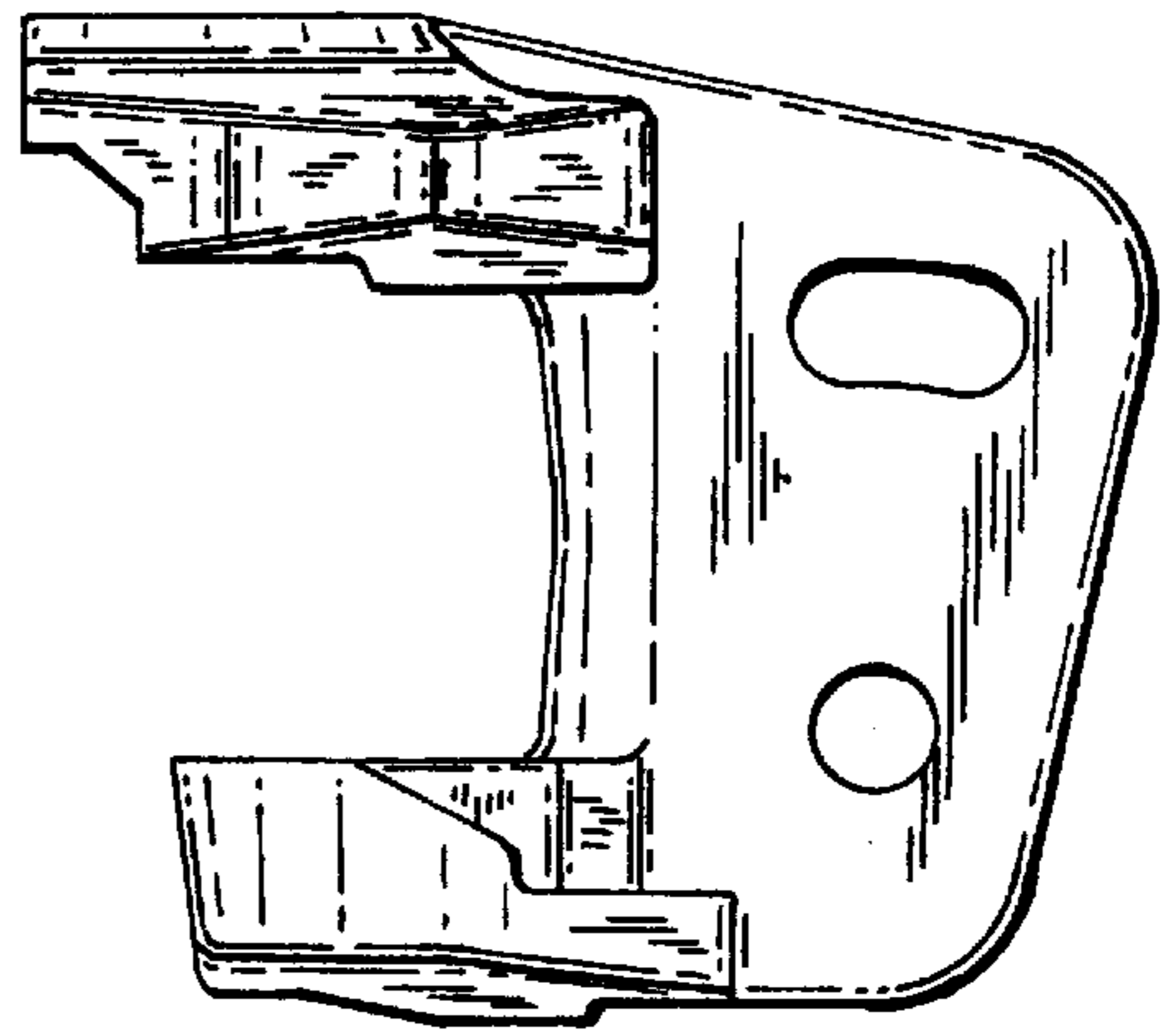


FIG. 4.

