



US00D418089S

**United States Patent** [19]  
**Jackson**

[11] **Patent Number: Des. 418,089**

[45] **Date of Patent: \*\* Dec. 28, 1999**

[54] **POWERED MOTORCYCLE STAND**

[76] Inventor: **Stanley A Jackson**, 4261 Country Glen Cir., North Las Vegas, Nev. 89030

[\*\*] Term: **14 Years**

[21] Appl. No.: **29/102,836**

[22] Filed: **Apr. 1, 1999**

[51] **LOC (6) Cl.** ..... **12-11**

[52] **U.S. Cl.** ..... **D12/120**

[58] **Field of Search** ..... D12/120, 114;  
280/293, 303, 301, 294, 291; 180/219,  
271

[56] **References Cited**

**U.S. PATENT DOCUMENTS**

4,724,921	2/1988	Ohta et al. ....	180/228
5,029,667	7/1991	Fujita et al. ....	180/219
5,234,225	8/1993	Yaple .....	280/293
5,358,265	10/1994	Yaple .....	280/293

*Primary Examiner*—Pamela Burgess

**1 Claim, 4 Drawing Sheets**

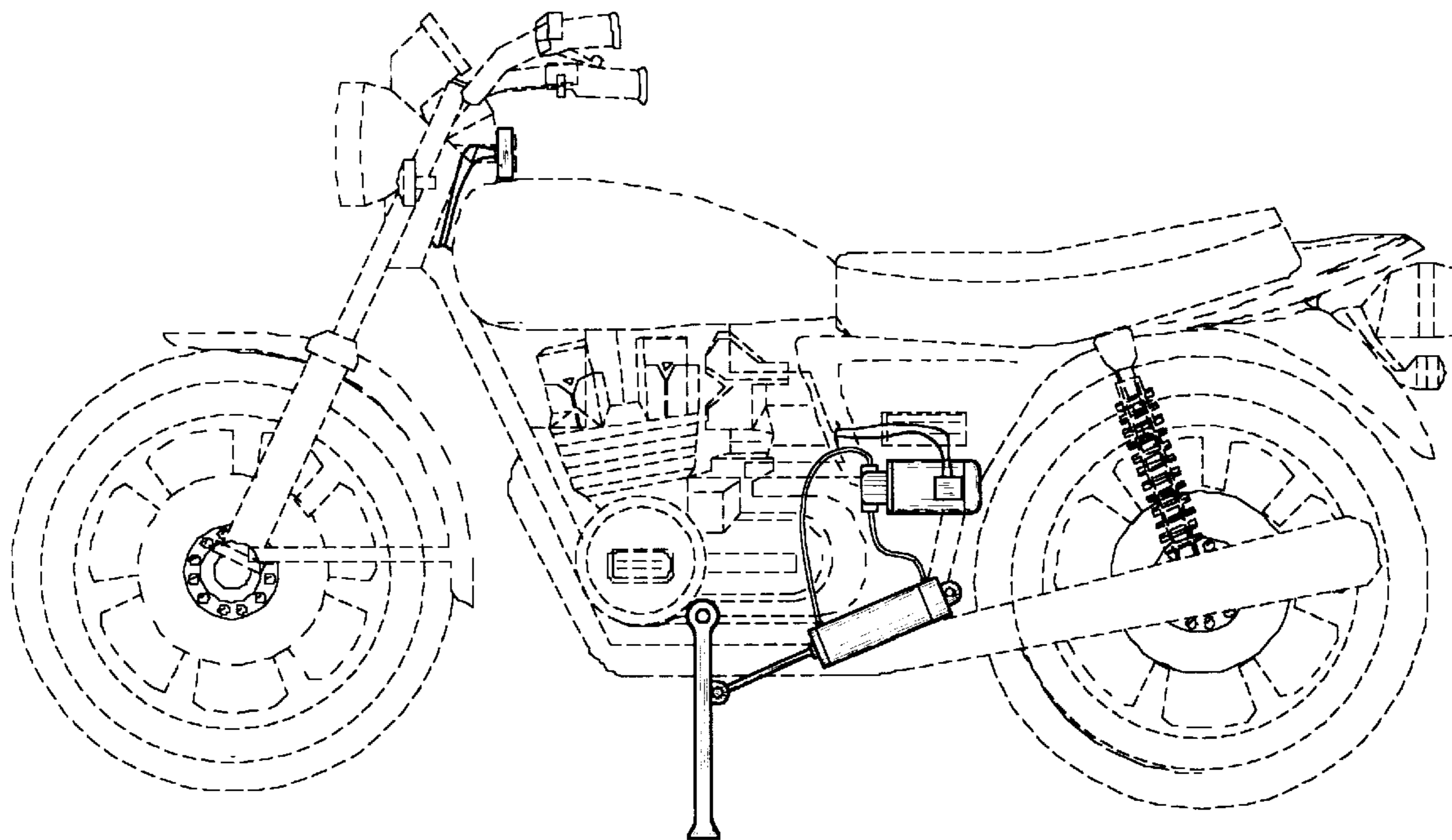
[57] **CLAIM**

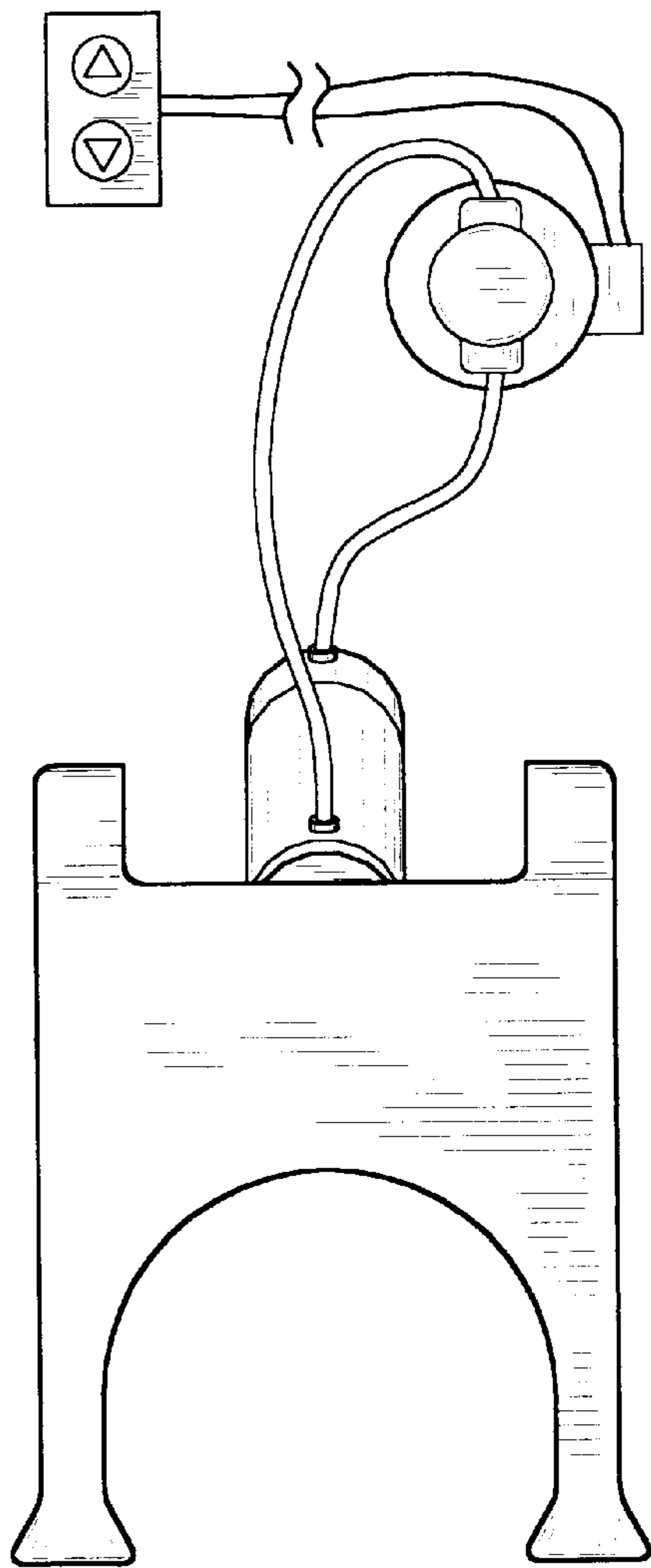
The ornamental design for a powered motorcycle stand, as shown and described.

**DESCRIPTION**

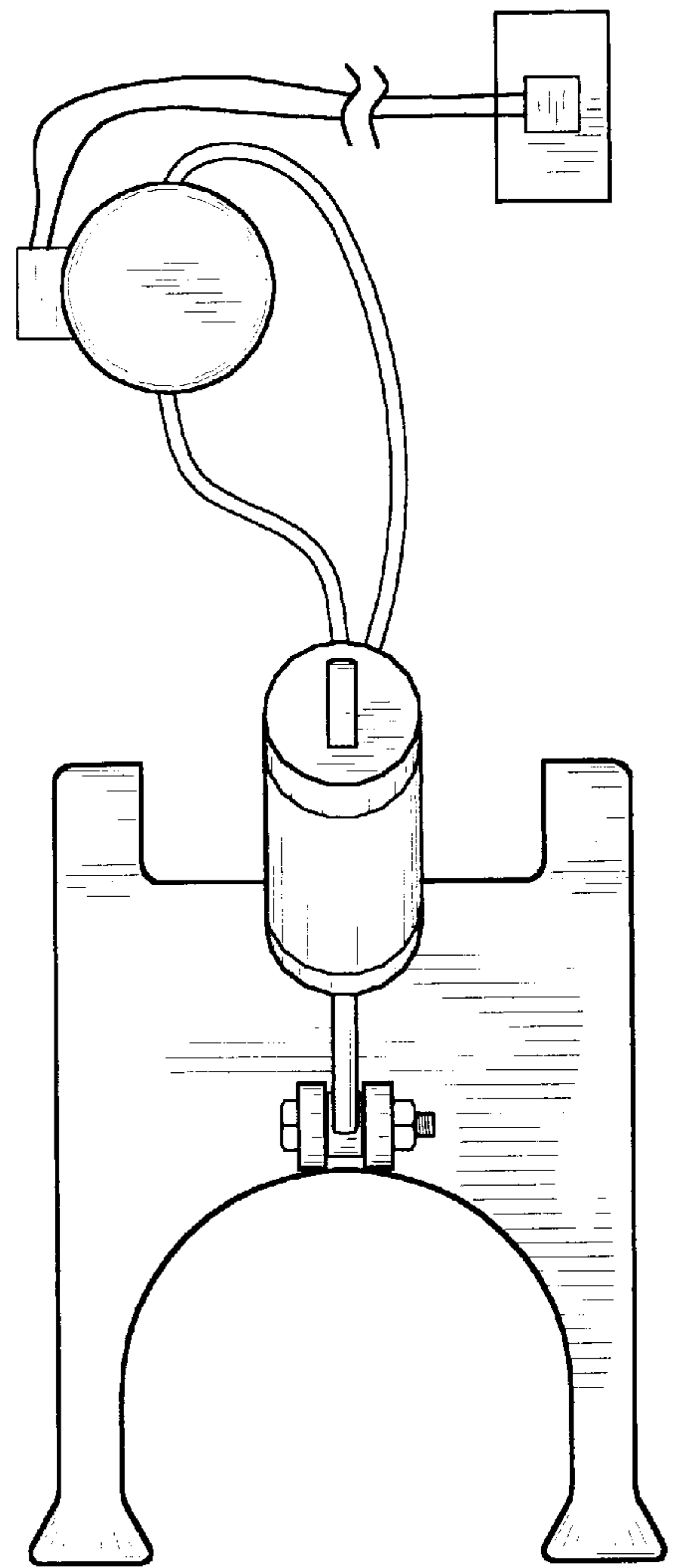
FIG. 1 is a front elevational view of the powered motorcycle stand of the present invention;  
 FIG. 2 is a back elevational view of the powered motorcycle stand of FIG. 1;  
 FIG. 3 is a right side elevational view of the powered motorcycle stand of FIG. 1;  
 FIG. 4 is a left side elevational view of the powered motorcycle stand of FIG. 1;  
 FIG. 5 is a top plan view of the powered motorcycle stand of FIG. 1;  
 FIG. 6 is a bottom plan view of the powered motorcycle stand of FIG. 1; and,  
 FIG. 7 is an in use left side elevational view of the powered motorcycle stand of FIG. 1.

It is understood that the discontinuous wires in all views are of indeterminate length.  
 The broken lines showing of a motorcycle in FIG. 7 are for illustrative purposes only and form no part of the claimed design.

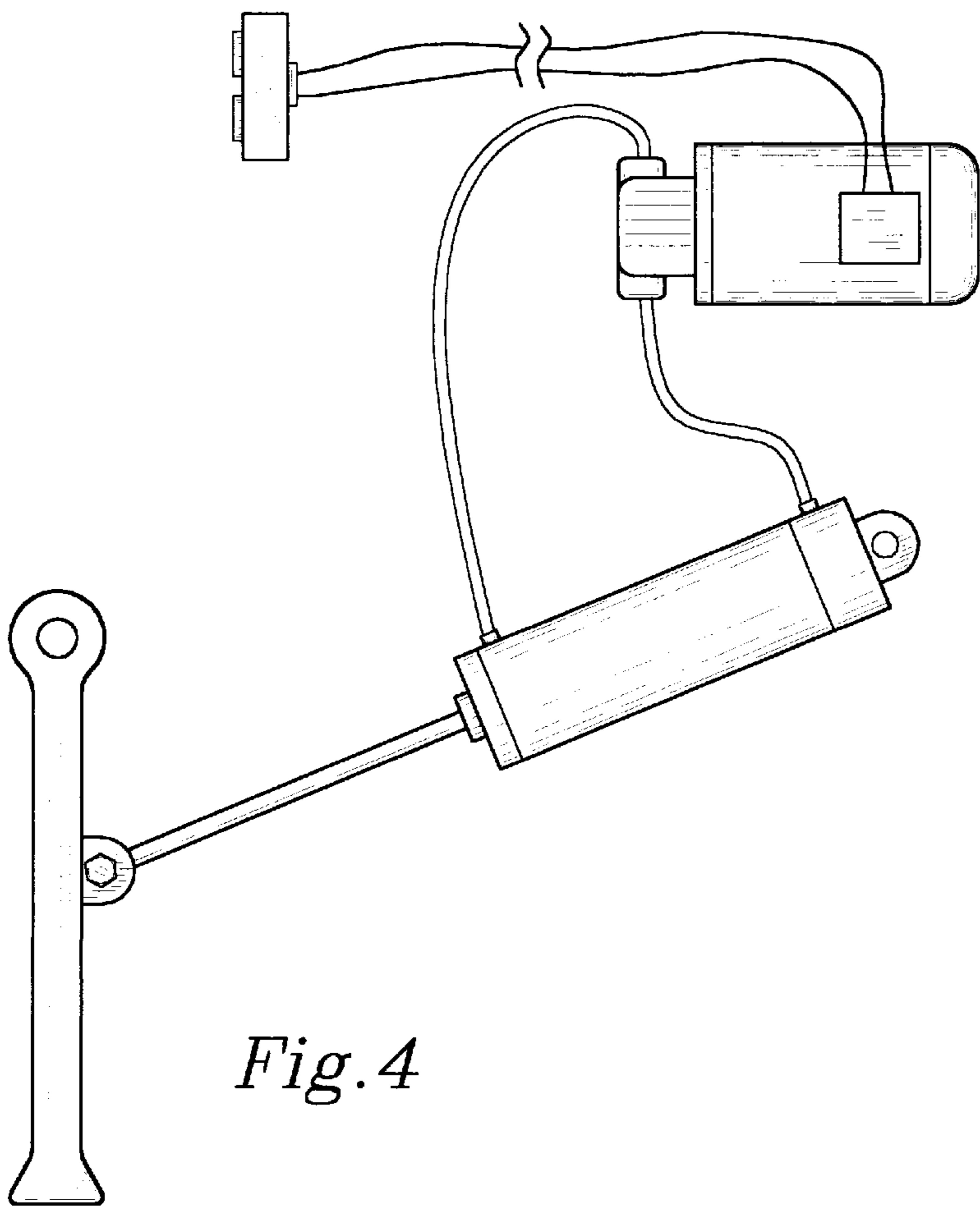
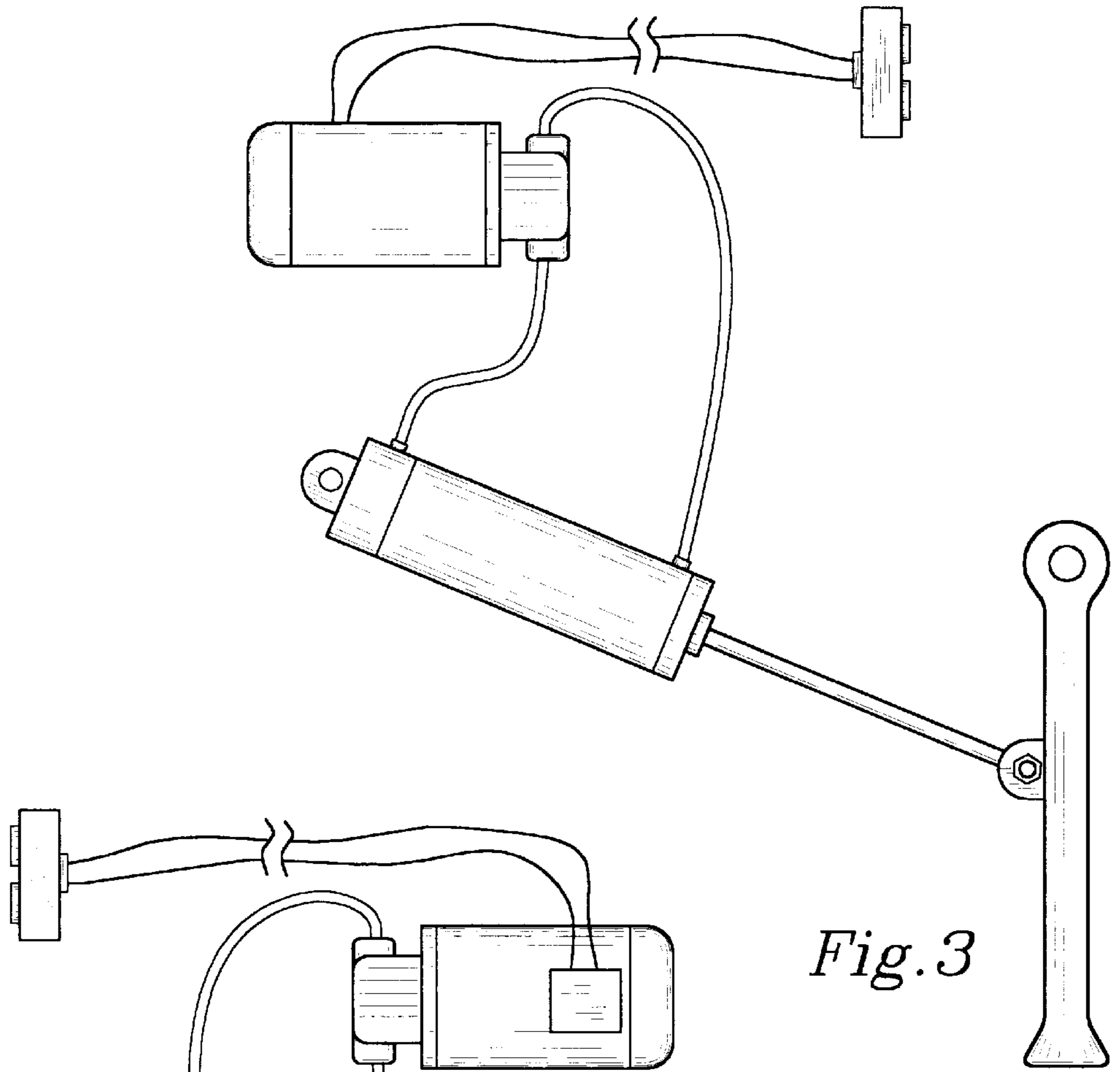


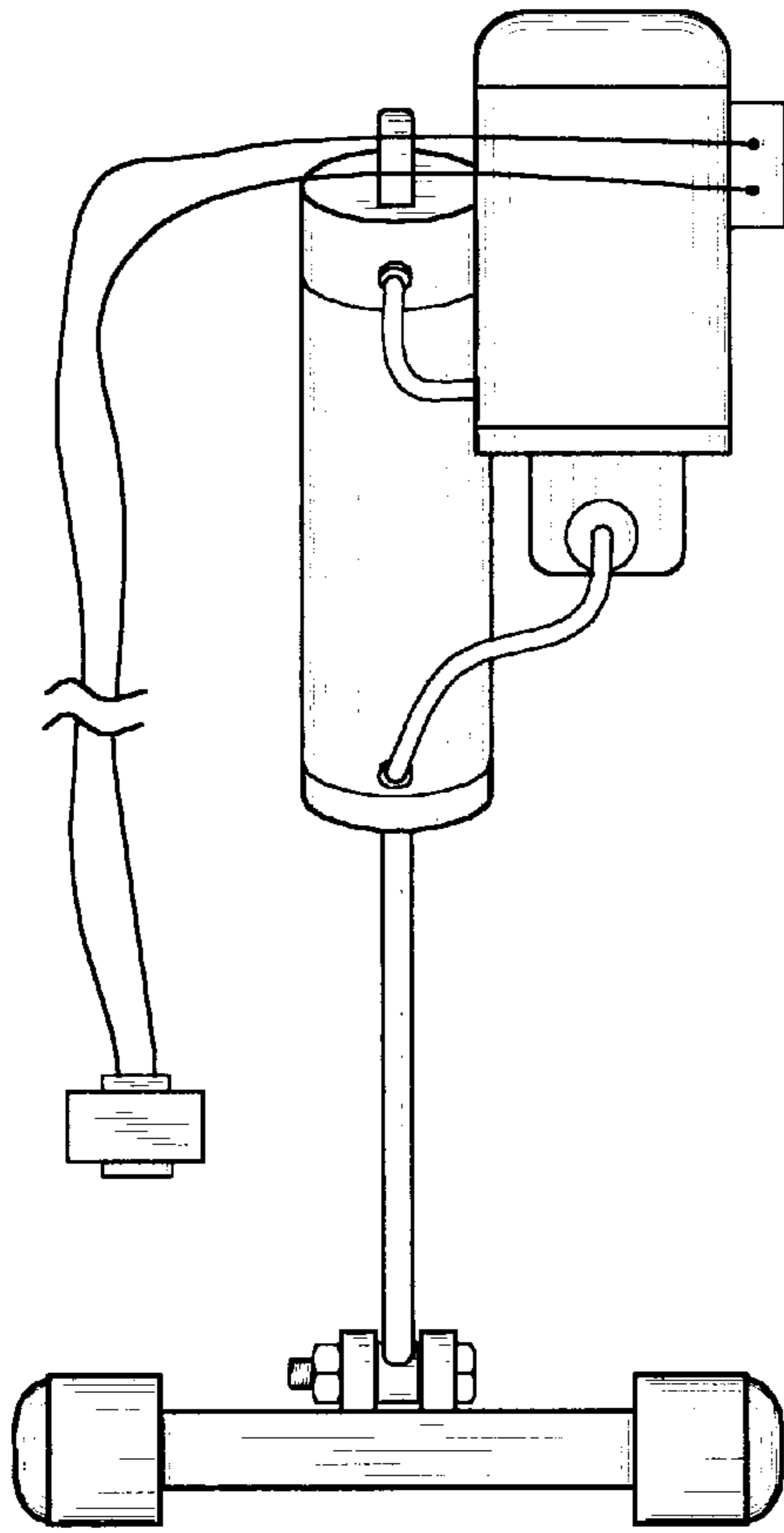


*Fig. 1*

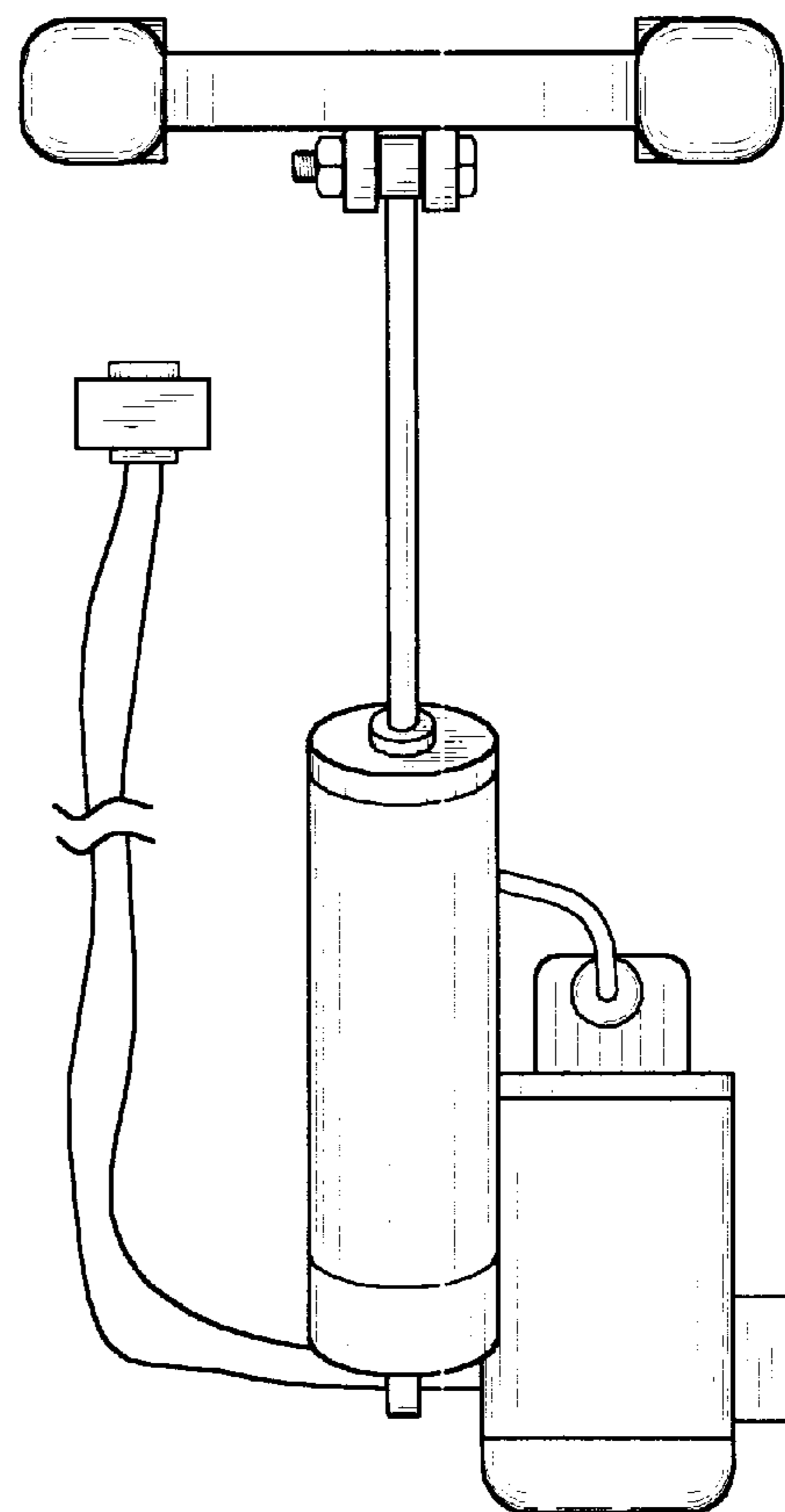


*Fig. 2*

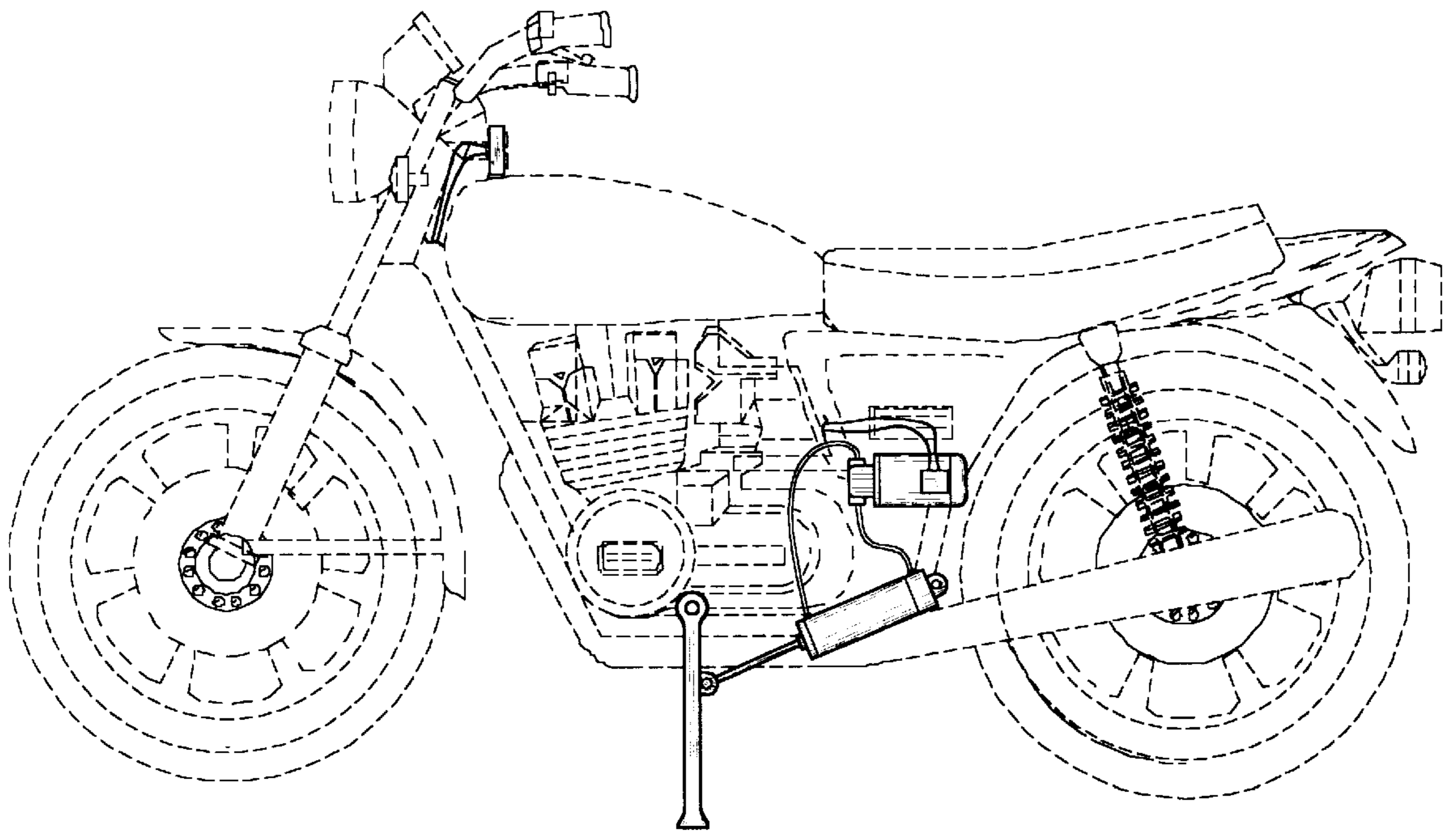




*Fig. 5*



*Fig. 6*



*Fig. 7*