



US00D418088S

United States Patent [19] Fioravanti

[11] **Patent Number: Des. 418,088**

[45] **Date of Patent: ** Dec. 28, 1999**

[54] **SPORTS CAR**

[75] Inventor: **Leonardo Fioravanti**, Moncalieri, Italy

[73] Assignee: **Fioravanti S.r.l.**, Turin, Italy

[**] Term: **14 Years**

[21] Appl. No.: **29/095,129**

[22] Filed: **Oct. 16, 1998**

[30] **Foreign Application Priority Data**

Apr. 17, 1998 [IT] Italy TO9800102

[51] **LOC (6) Cl.** **12-08**

[52] **U.S. Cl.** **D12/92**

[58] **Field of Search** D12/86, 88, 90-92;
296/185

[56] **References Cited**

U.S. PATENT DOCUMENTS

D. 306,274 2/1990 Fioravanti D12/91

- D. 357,887 5/1995 Sacco et al. D12/92
- D. 358,569 5/1995 Ramaciotti D12/92
- D. 361,046 8/1995 Watkins et al. D12/92
- D. 375,469 11/1996 Ferrerio D12/91

Primary Examiner—Melody N. Brown
Attorney, Agent, or Firm—Sughrue, Mion, Zinn, Macpeak & Seas, PLLC

[57] **CLAIM**

The ornamental design for a sports car, as shown.

DESCRIPTION

FIG. 1 is a front elevational view of a sports car showing my new design;
FIG. 2 is a right side elevational view thereof;
FIG. 3 is a left side elevational view thereof;
FIG. 4 is a rear elevational view thereof;
FIG. 5 is a top plan view thereof;
FIG. 6 is a bottom plan view thereof; and,
FIG. 7 is a perspective view thereof.

1 Claim, 7 Drawing Sheets

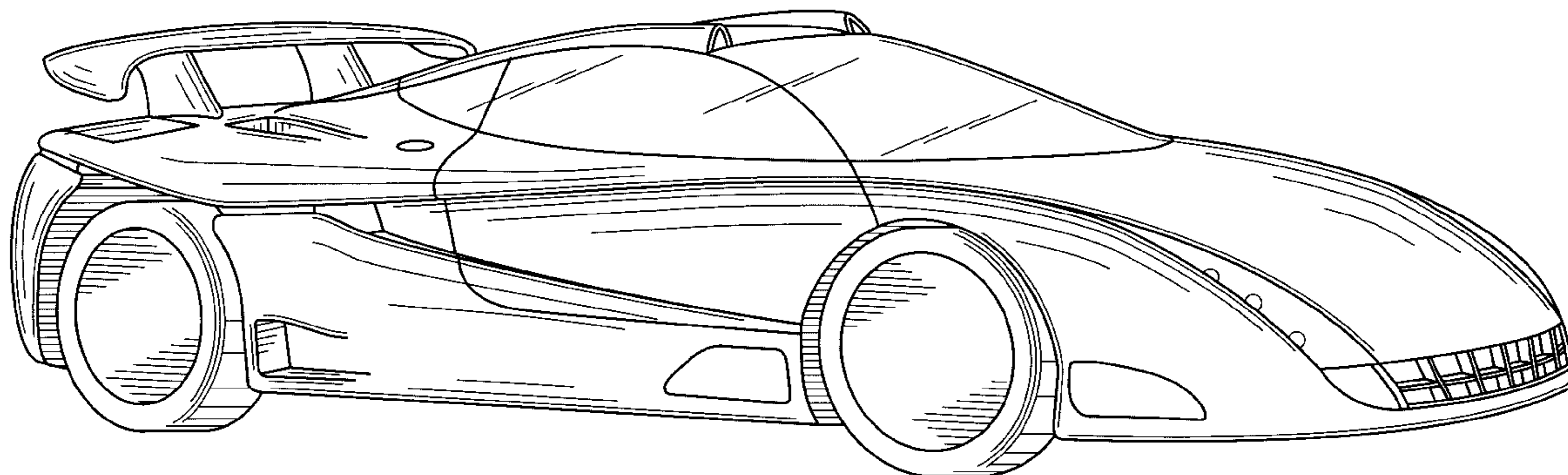


FIG. 1

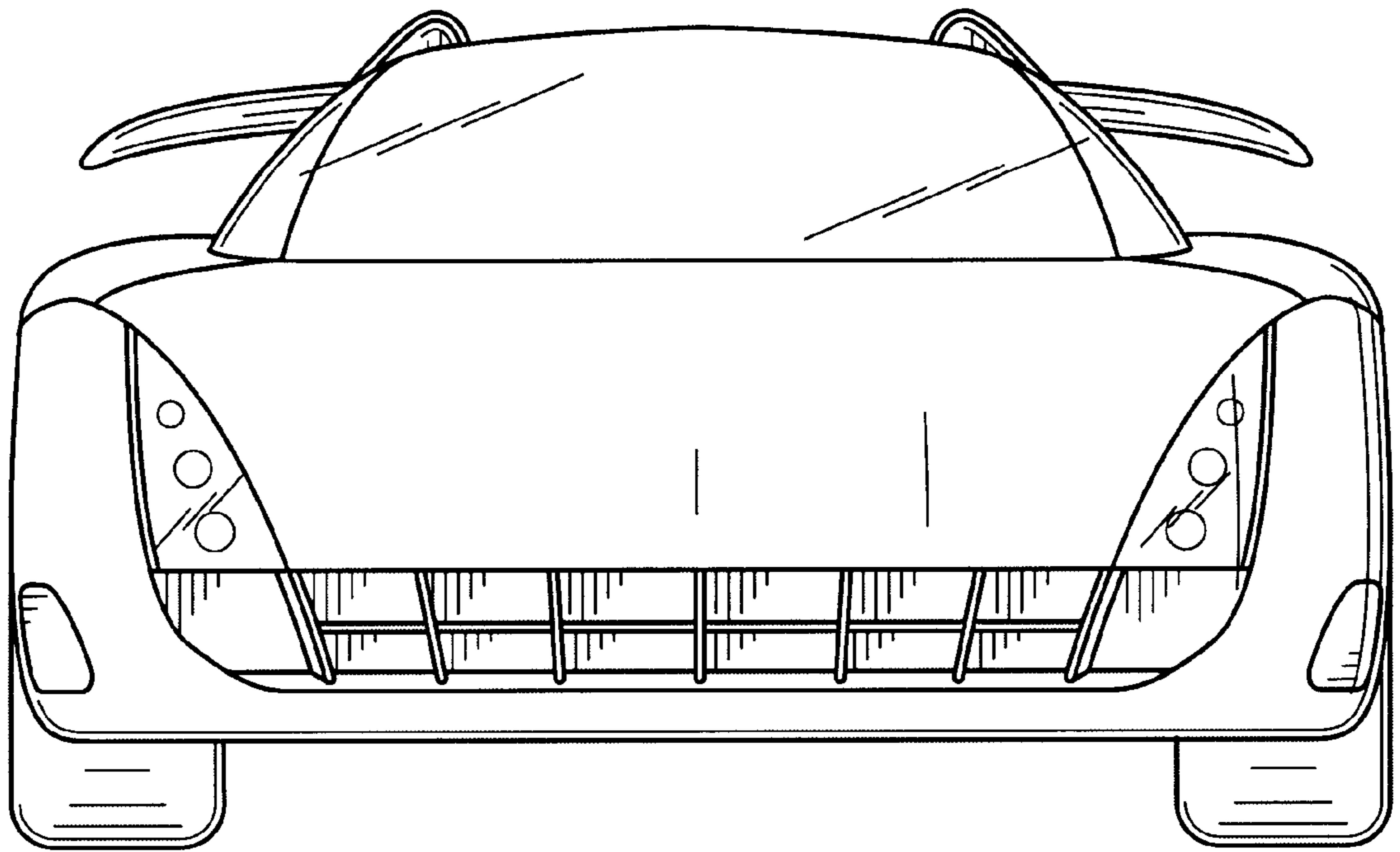


FIG. 2

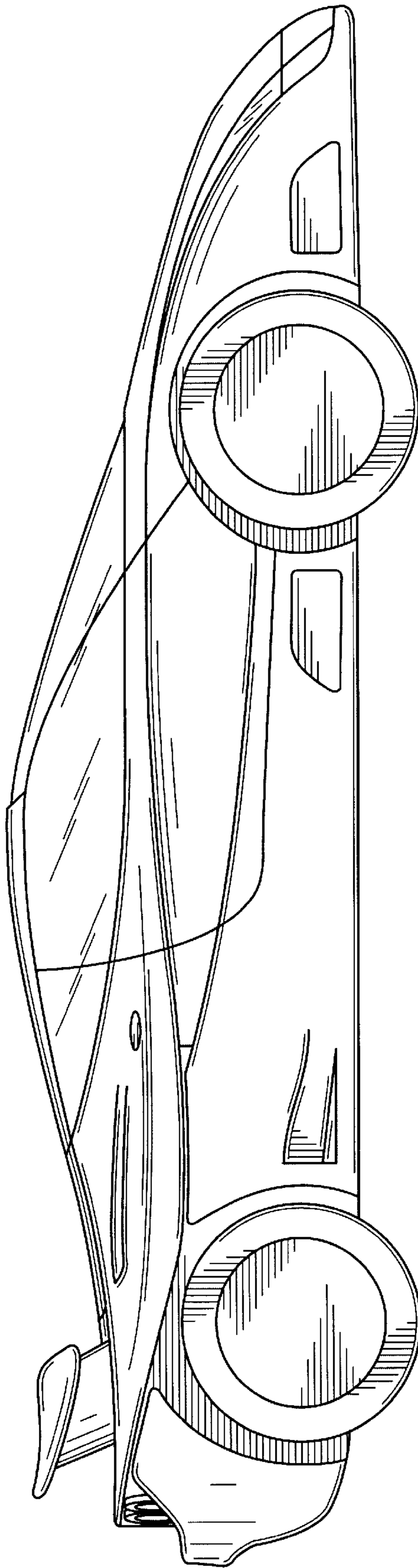


FIG. 3



FIG. 4

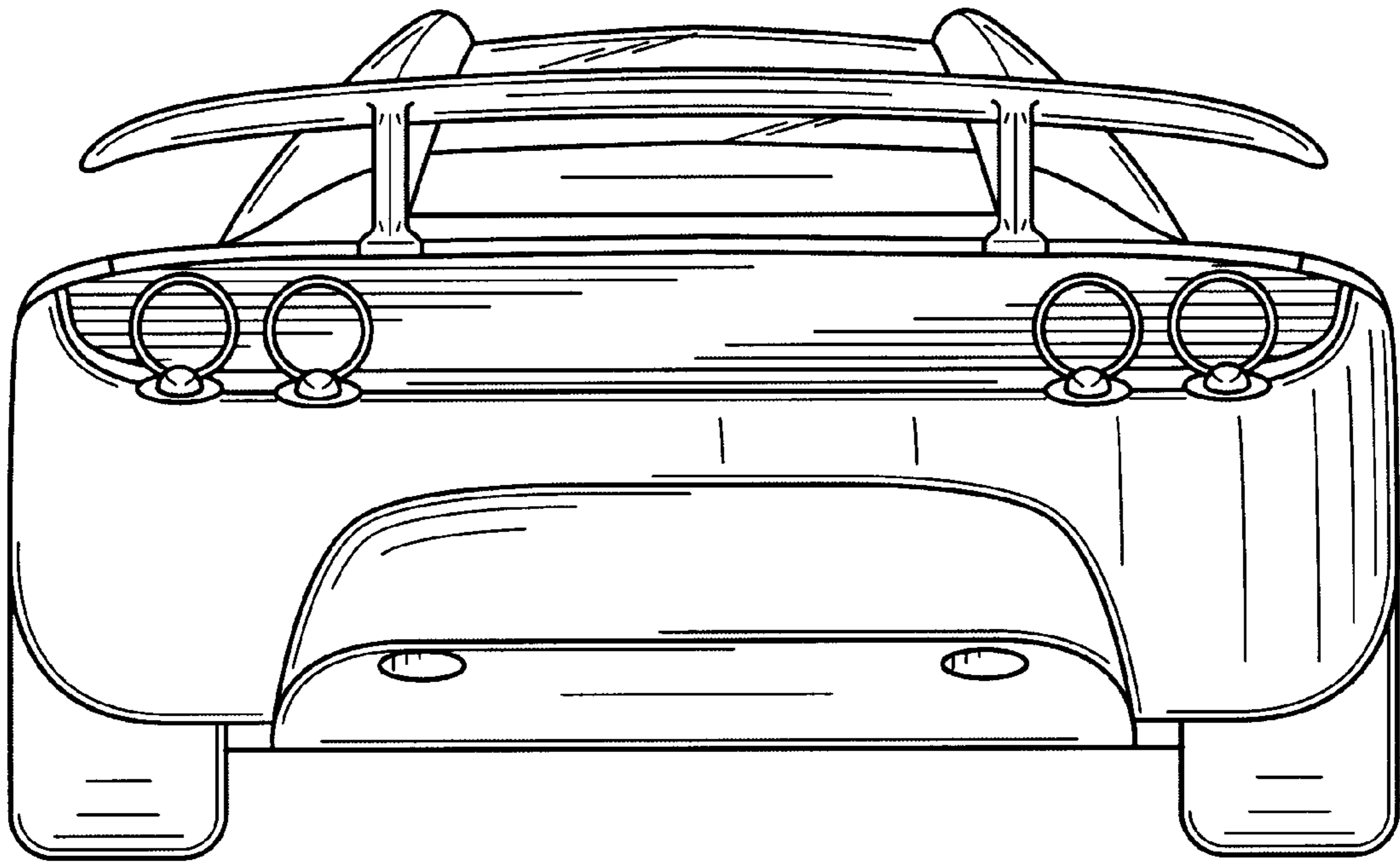


FIG. 5

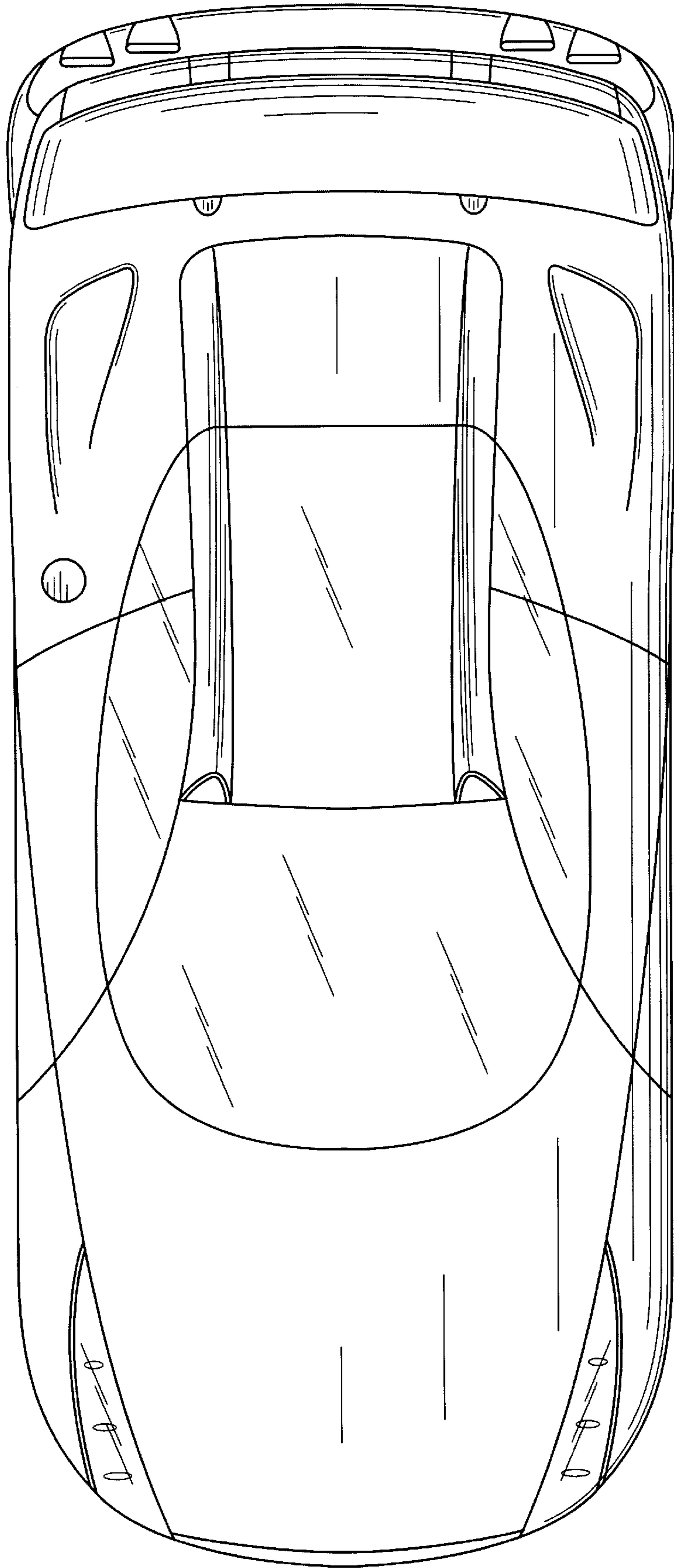


FIG. 6

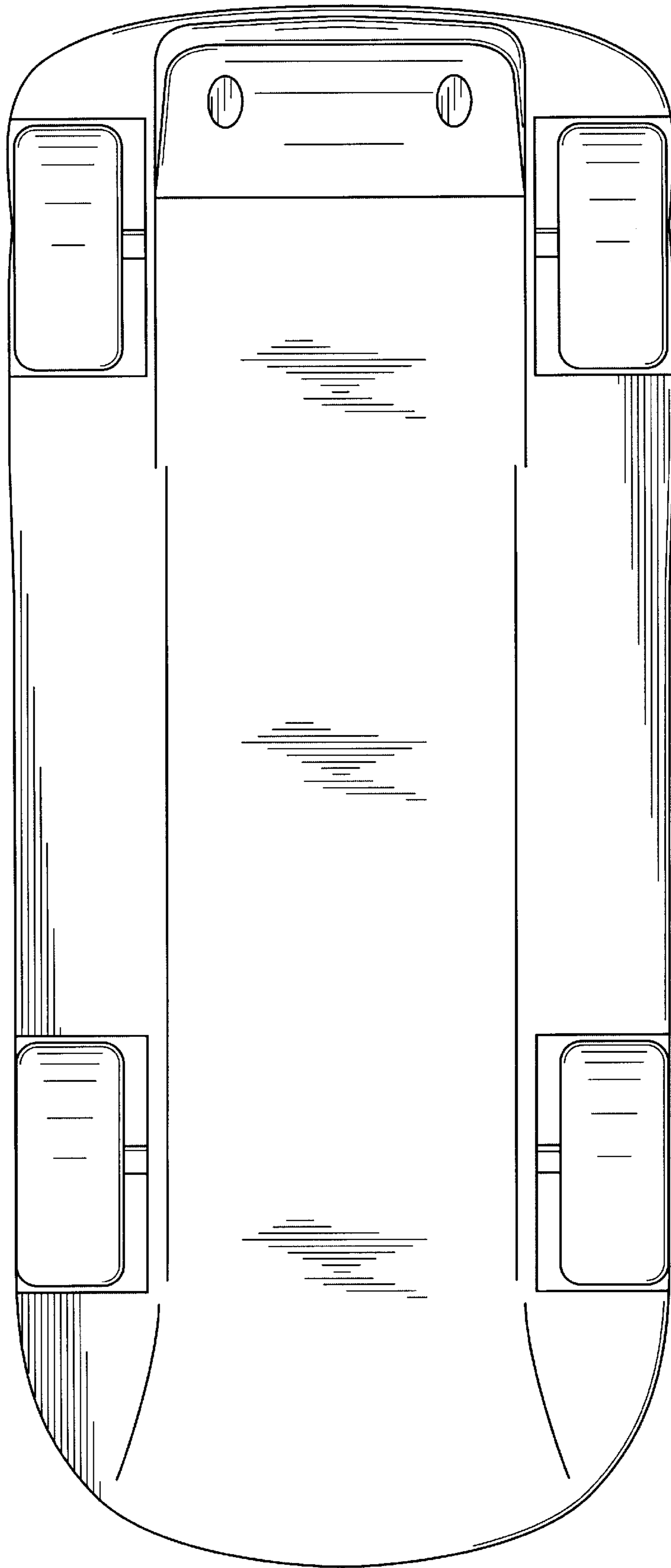


FIG. 7

