



US00D418074S

United States Patent [19]

Hicks et al.

[11] Patent Number: **Des. 418,074**

[45] Date of Patent: **** Dec. 28, 1999**

[54] **SIGNAL COUPLER UNIT**

[75] Inventors: **Mark Edward Hicks**, Chelmsford;
Stephen Kenneth Cooper; **Richard Edward Hughes**, both of Bishop's Stortford, all of United Kingdom

[73] Assignee: **Northern Telecom Limited**, Quebec, Canada

[**] Term: **14 Years**

[21] Appl. No.: **29/090,414**

[22] Filed: **Jul. 8, 1998**

[30] **Foreign Application Priority Data**

Mar. 17, 1998 [GB] United Kingdom 2073297

[51] **LOC (6) Cl.** **10-05**

[52] **U.S. Cl.** **D10/104**

[58] **Field of Search** D10/104, 106,
D10/116, 121; 340/321, 541, 542, 543,
544, 545, 546, 547, 549, 556, 565, 566,
573, 586

[56] **References Cited**

U.S. PATENT DOCUMENTS

D. 351,564 10/1994 Schepis D10/104

D. 357,427 4/1995 Lee D10/104
D. 373,316 9/1996 Walters D10/104
D. 399,154 10/1998 Proctor et al. D10/104

Primary Examiner—Marcus A. Jackson
Attorney, Agent, or Firm—Lee, Mann, Smith, McWilliams,
Sweeney & Ohlson

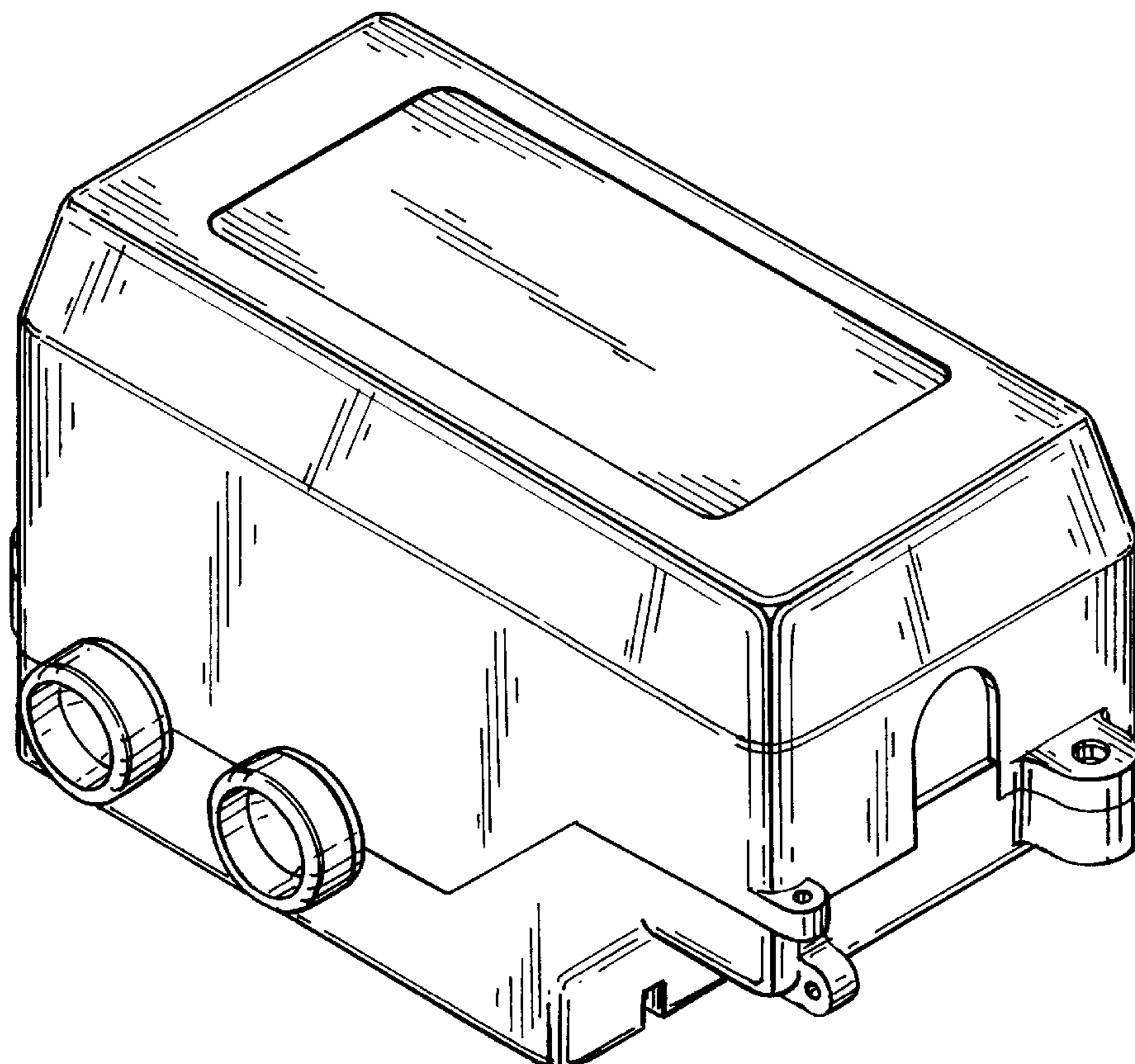
[57] **CLAIM**

The ornamental design for a signal coupler unit, as shown and described.

DESCRIPTION

FIG. 1 shows a left-side outline perspective view from above;
FIG. 2 shows a right-side outline perspective view from above;
FIG. 3 shows a left-side outline perspective view from below;
FIG. 4 shows a right-side outline perspective view from below;
FIG. 5 shows a left-side outline view;
FIG. 6 shows a top outline view;
FIG. 7 shows a bottom outline view;
FIG. 8 shows a front outline view; and,
FIG. 9 shows a back outline view.

1 Claim, 8 Drawing Sheets



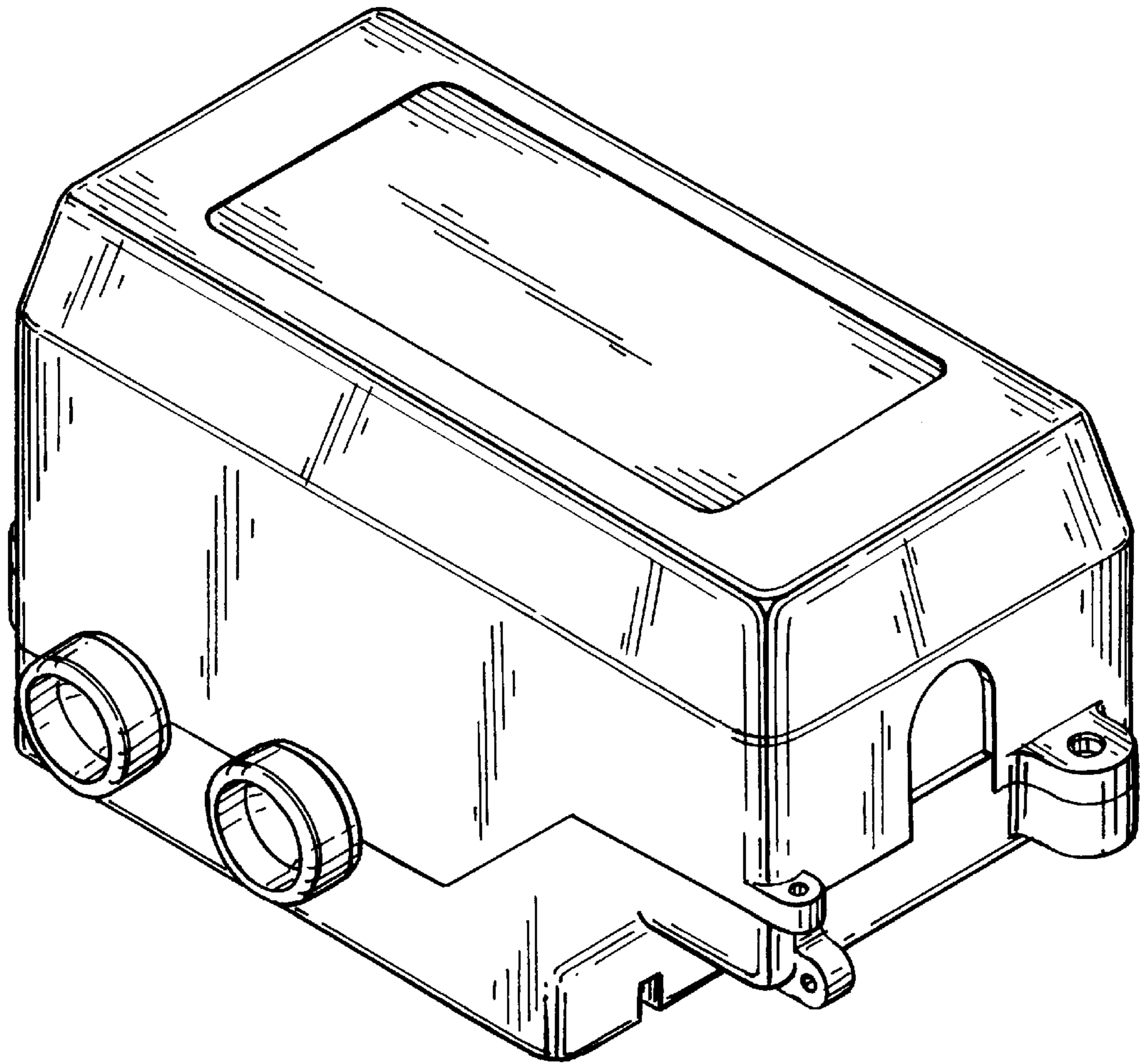


Fig. 1

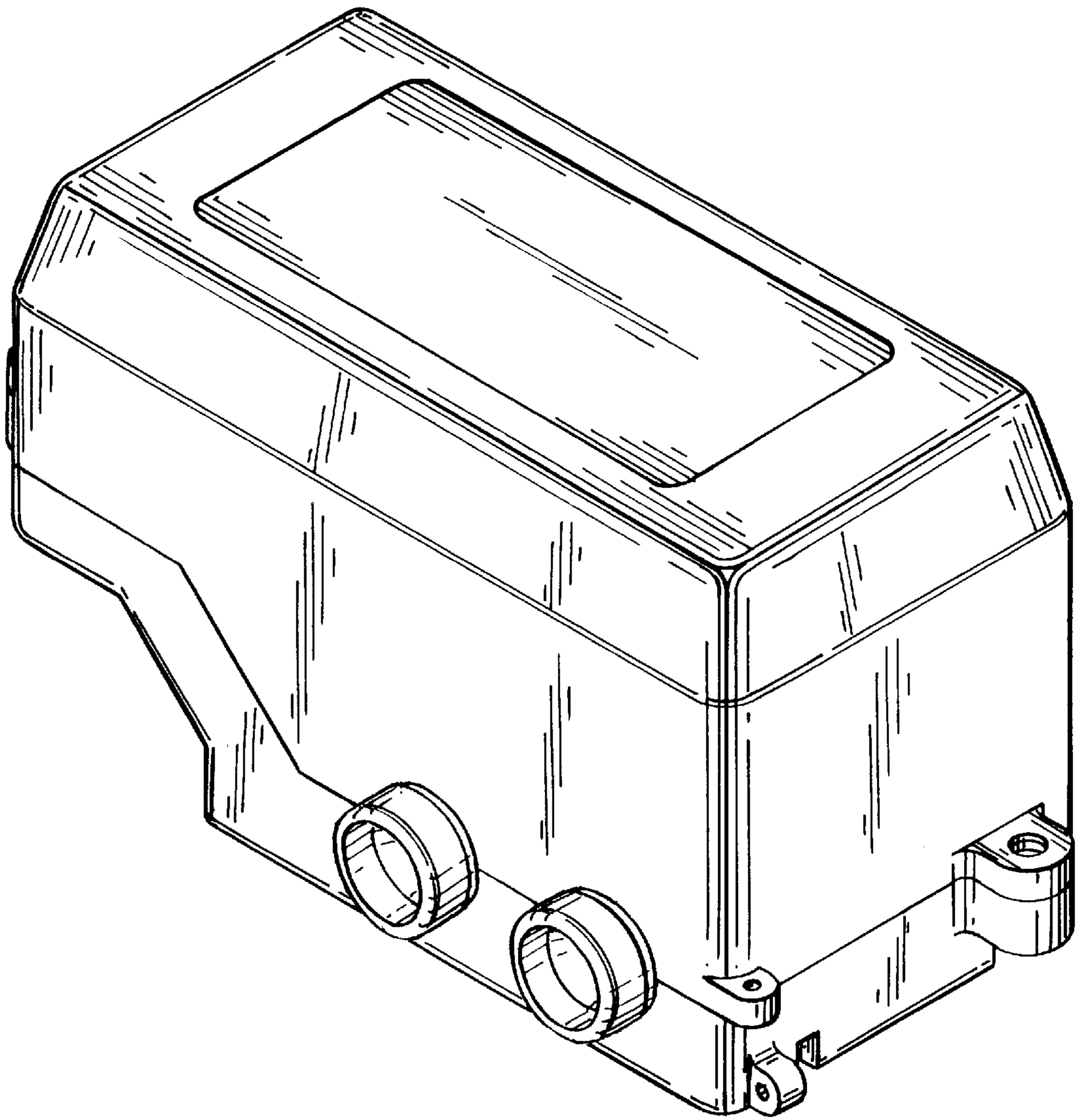


Fig. 2

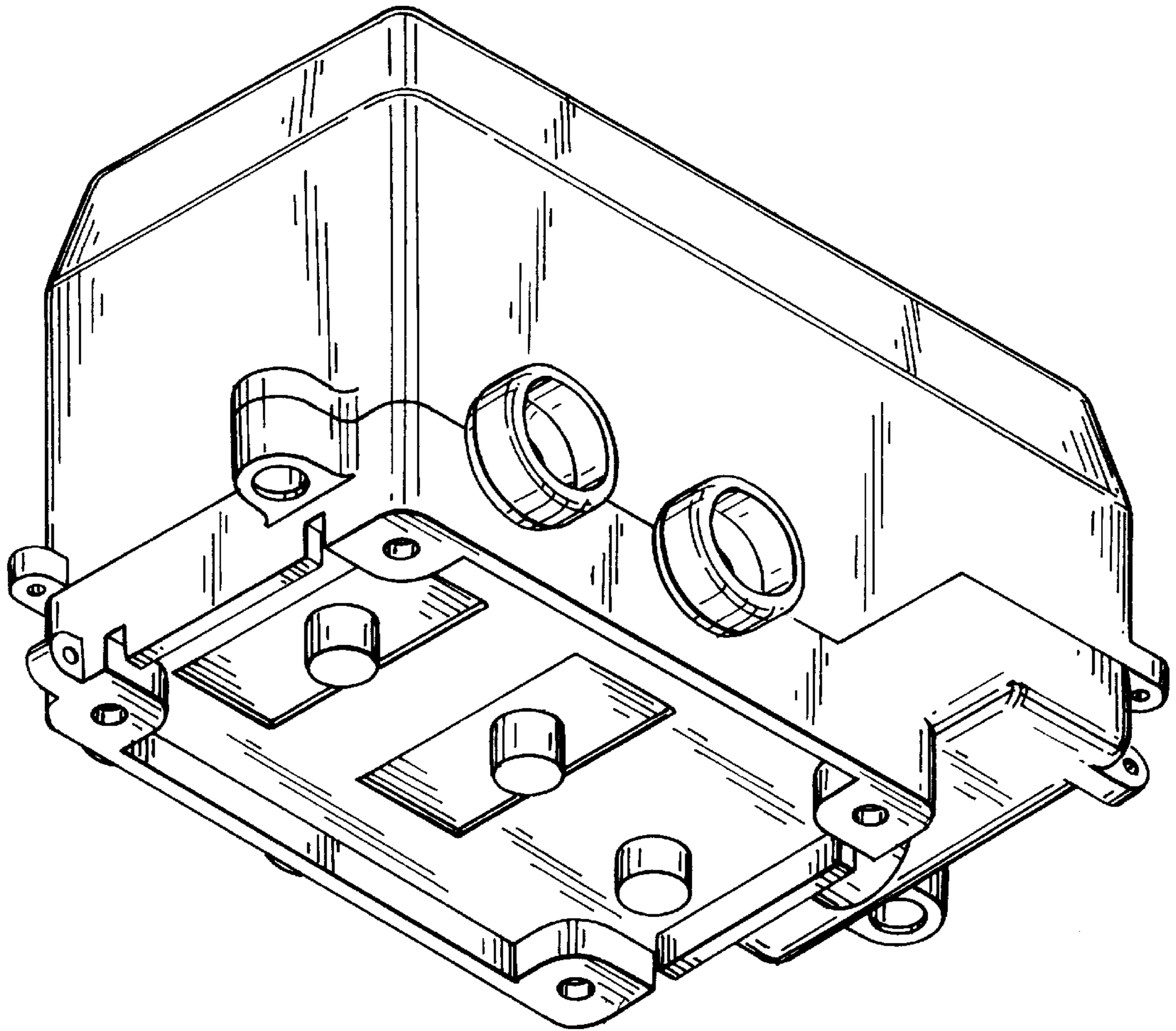


Fig. 3

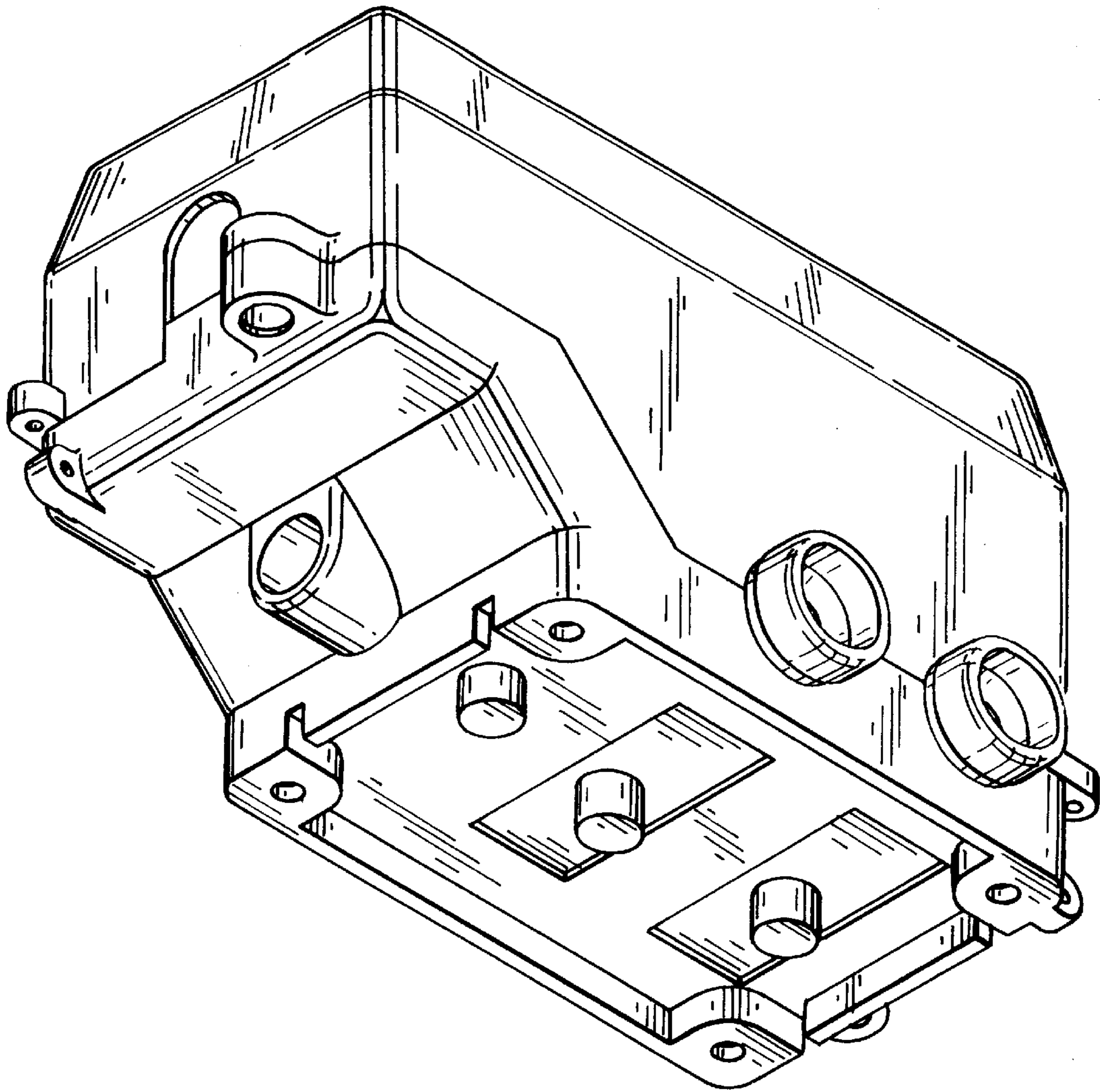


Fig. 4

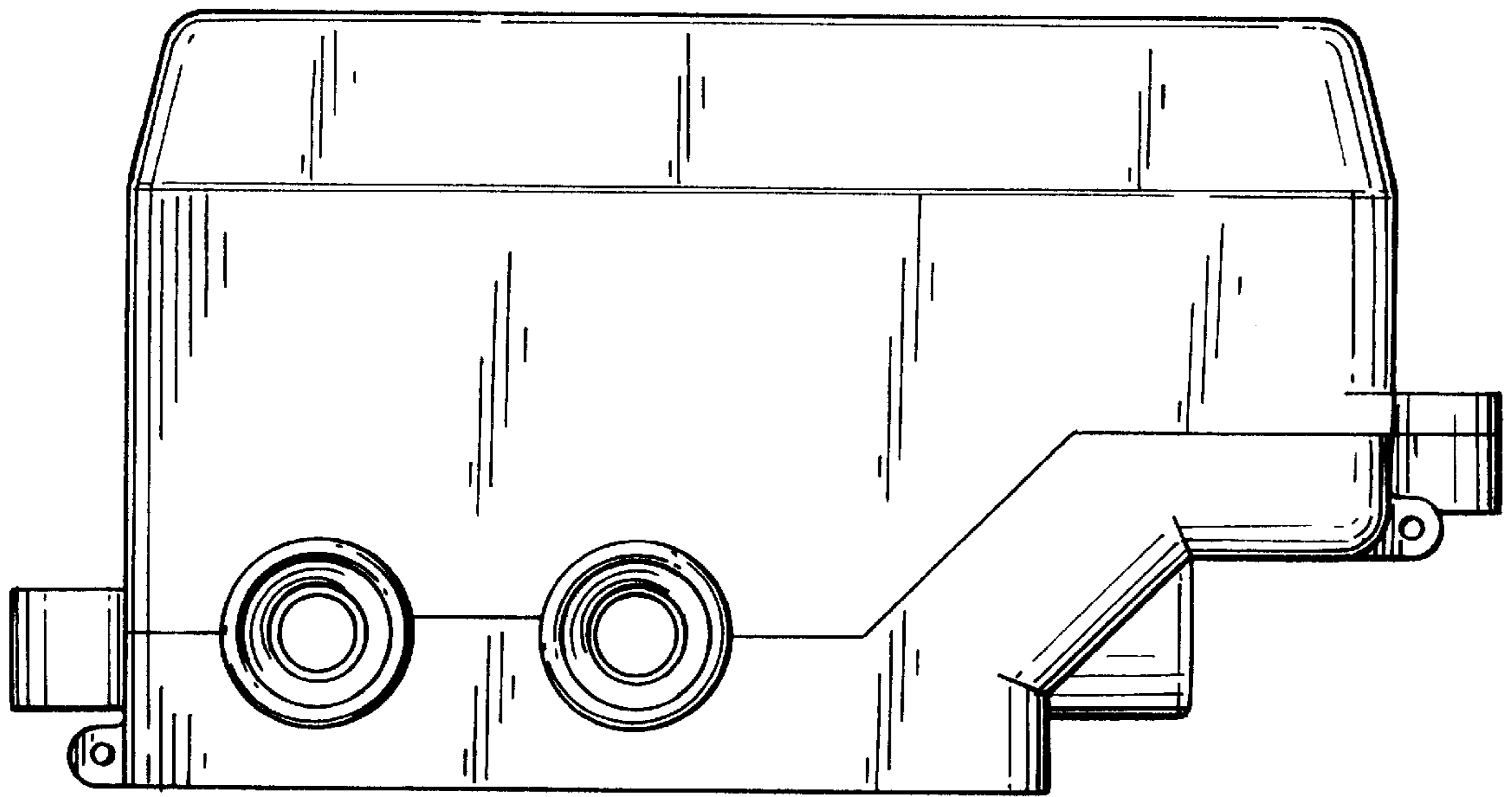


Fig. 5

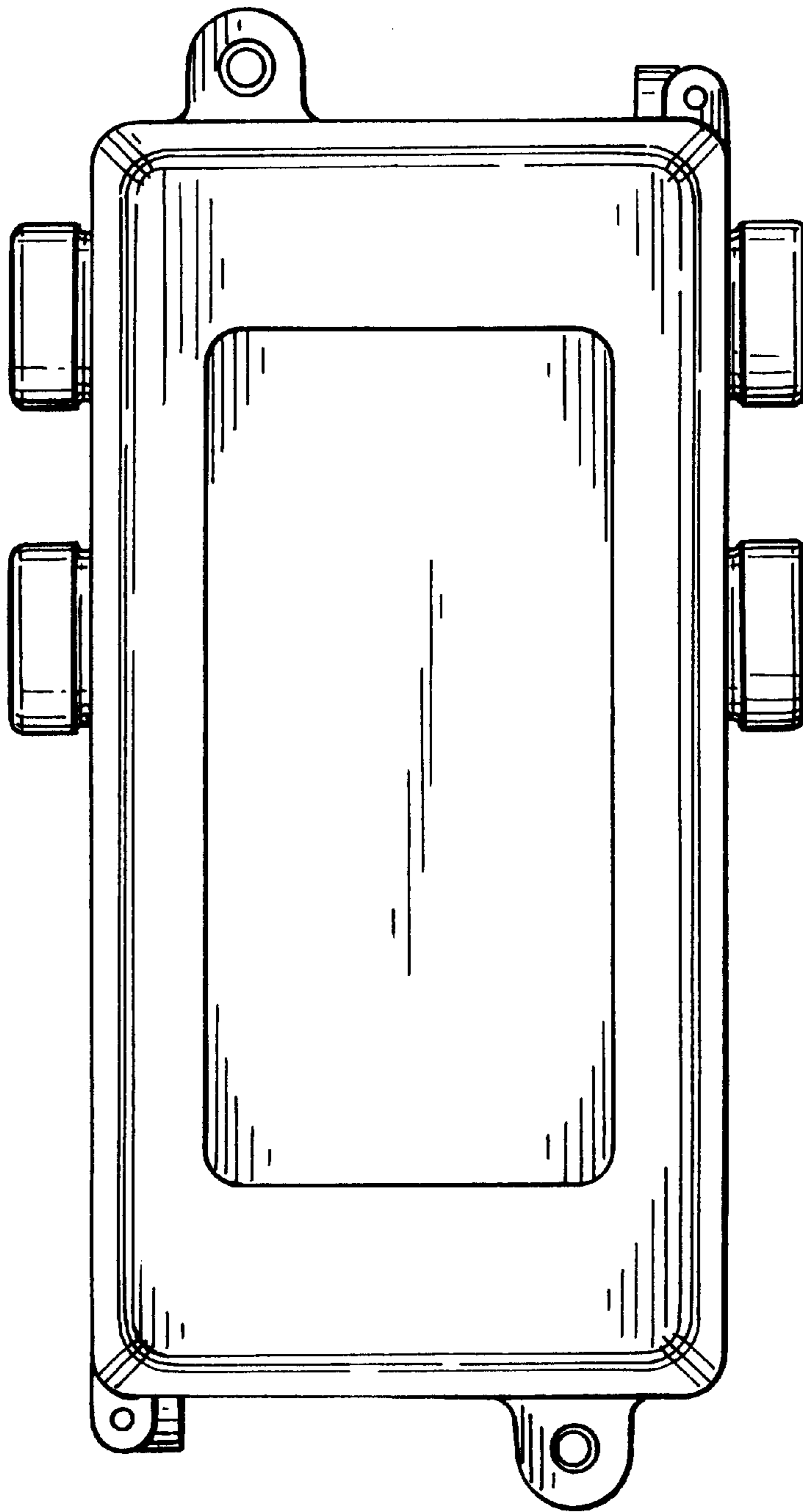


Fig. 6

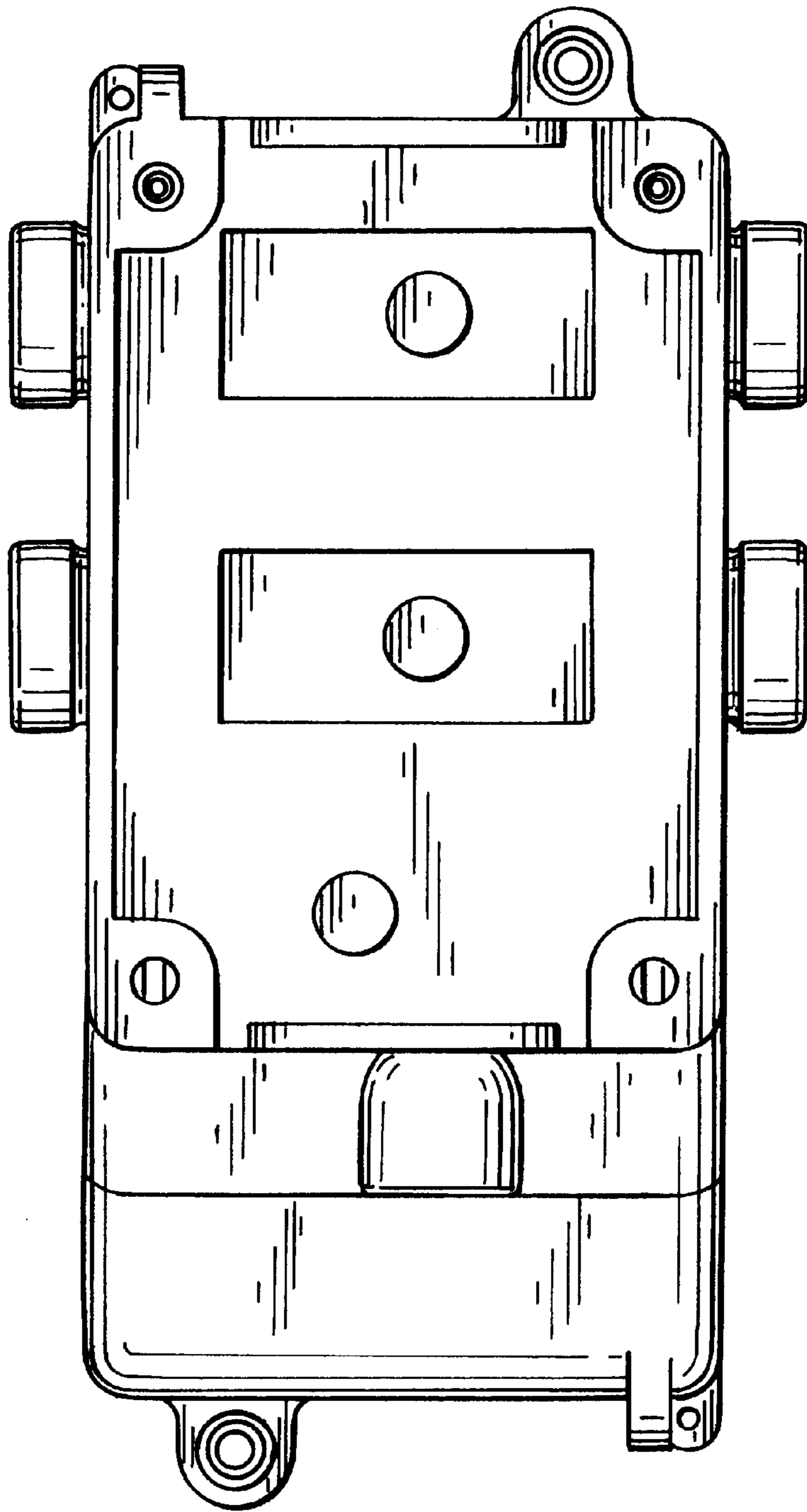


Fig. 7

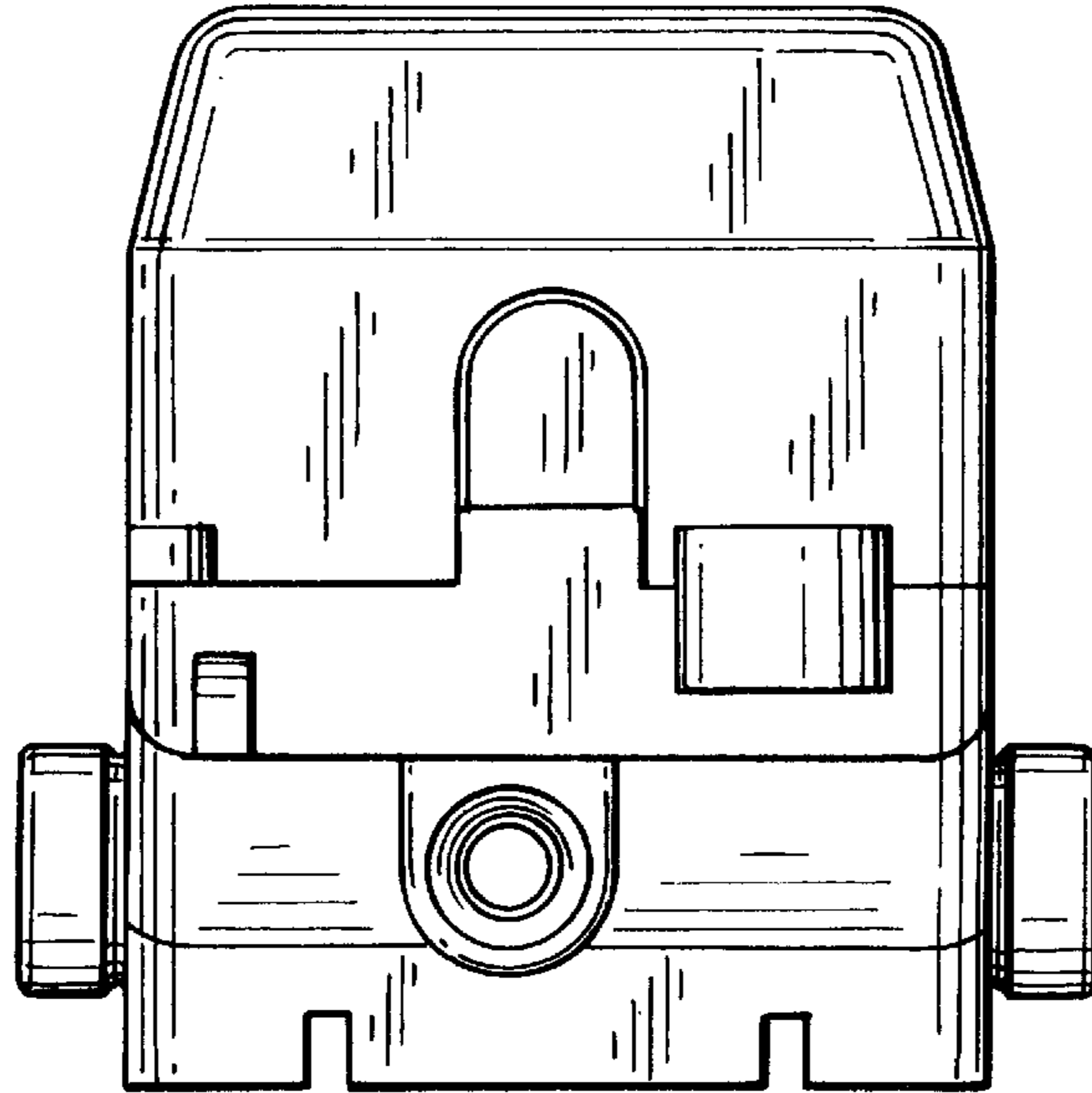


Fig. 8

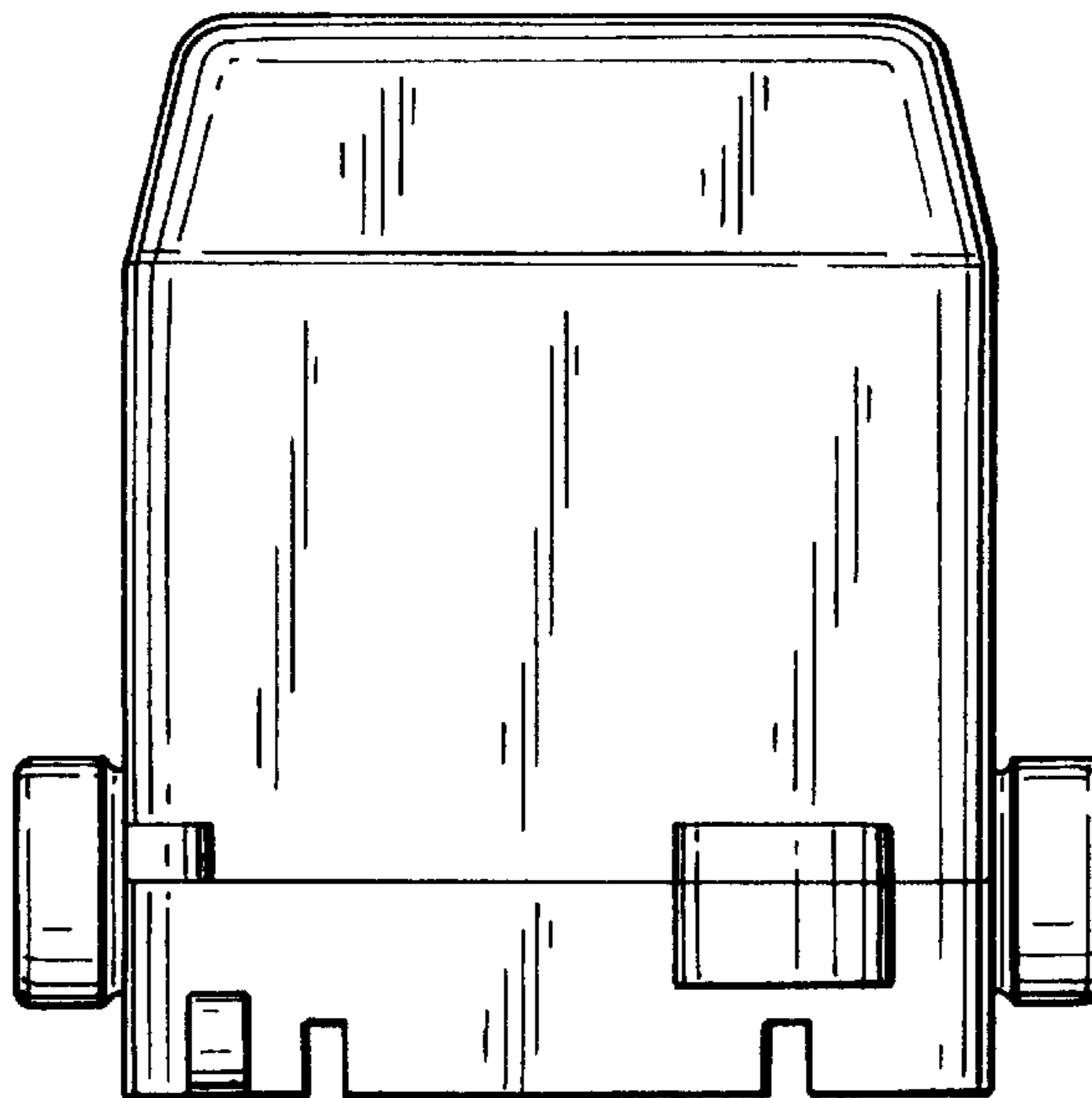


Fig. 9