



US00D418072S

United States Patent [19]
Calello

[11] **Patent Number: Des. 418,072**

[45] **Date of Patent: ** Dec. 28, 1999**

[54] **MEASURING DEVICE**

4,907,348 3/1990 Hubbard et al. 33/767
5,588,220 12/1996 Cousins et al. 33/768
5,875,987 3/1999 Pullen 33/761 X

[75] Inventor: **Patrick Calello**, Montclair, N.J.

[73] Assignee: **PharmaDesign Inc.**, Warren, N.J.

[**] Term: **14 Years**

Primary Examiner—Antoine Duval Davis
Attorney, Agent, or Firm—Watov & Kipnes, P.C.

[21] Appl. No.: **29/091,405**

[22] Filed: **Jul. 29, 1998**

[57] **CLAIM**

The ornamental design for a measuring device, as shown and described.

[51] **LOC (6) Cl.** **10-04**

[52] **U.S. Cl.** **D10/72**

[58] **Field of Search** D10/72; 33/755-770

DESCRIPTION

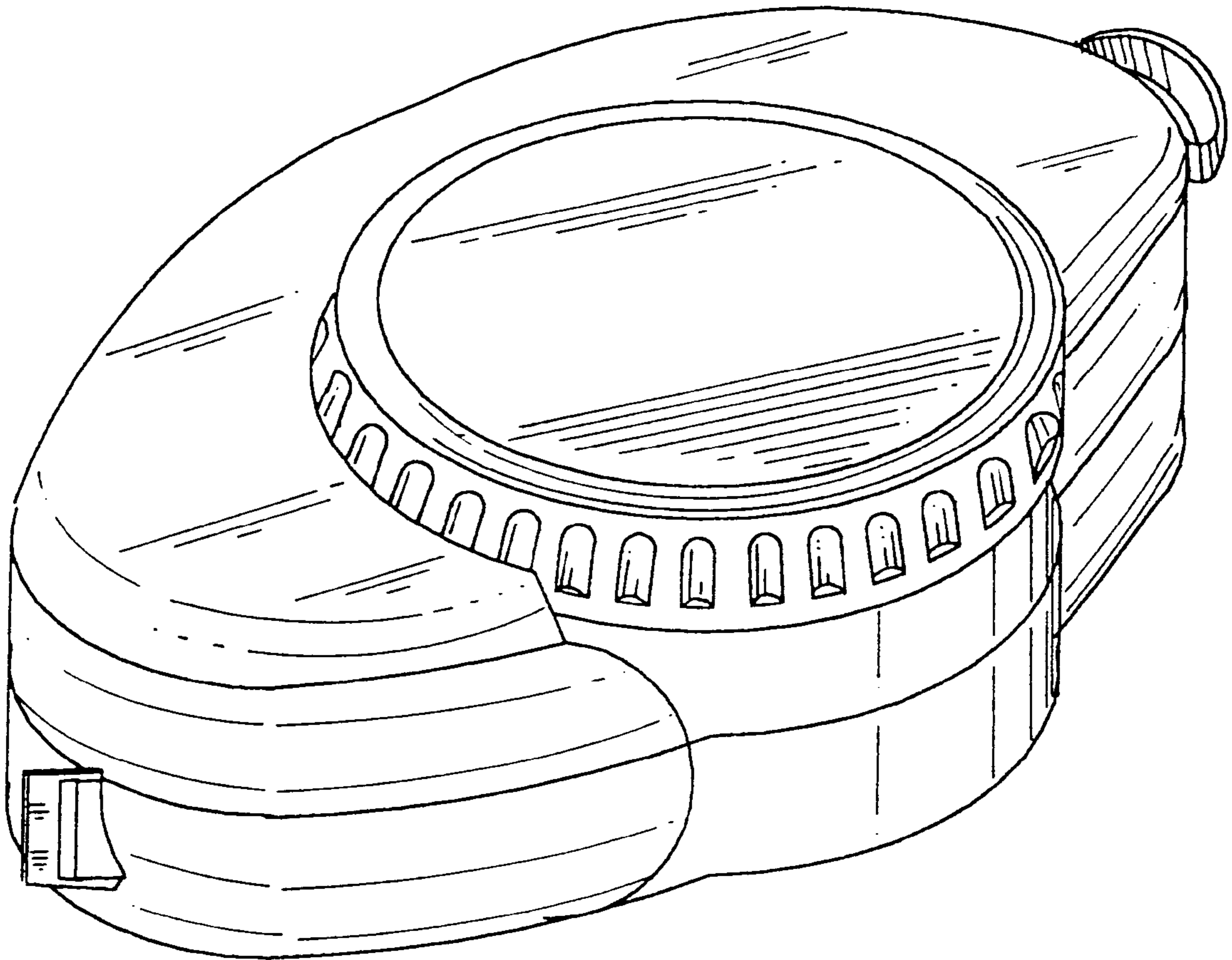
FIG. 1 is a perspective view showing the top and right side elevational view of the measuring device; FIG. 2 is a front elevational view thereof; FIG. 3 is a rear elevational view thereof; FIG. 4 is a right side elevational view thereof; FIG. 5 is a left side elevational view thereof; FIG. 6 is a top plan view thereof; and, FIG. 7 is a bottom plan view thereof.

[56] **References Cited**

U.S. PATENT DOCUMENTS

D. 348,691	7/1994	Bell et al.	D10/72 X
D. 371,941	7/1996	Kind et al.	D10/72 X
D. 400,585	11/1998	Fritz et al.	D10/72 X
4,765,557	8/1988	Kahmann	242/107.3

1 Claim, 4 Drawing Sheets



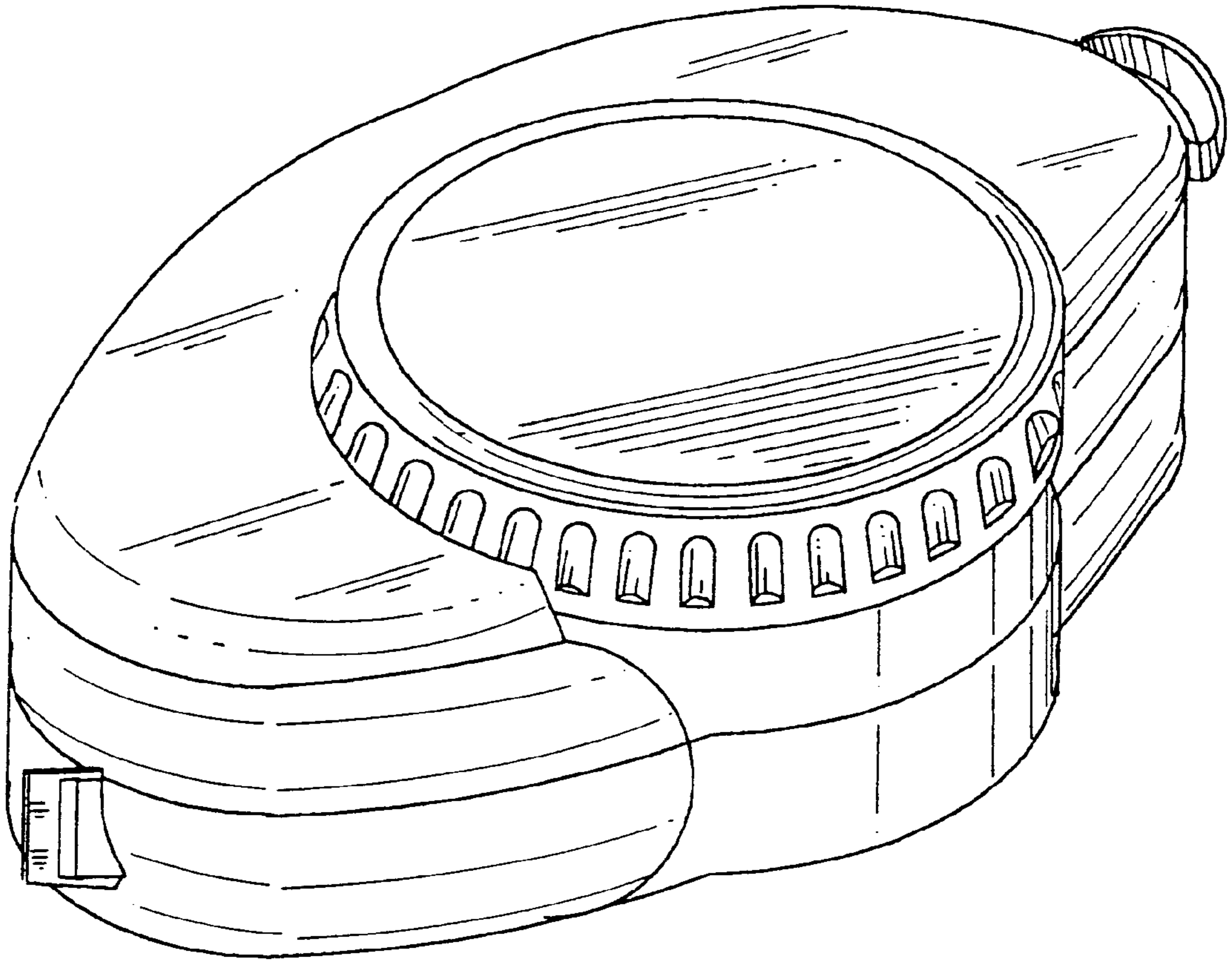


FIG. 1

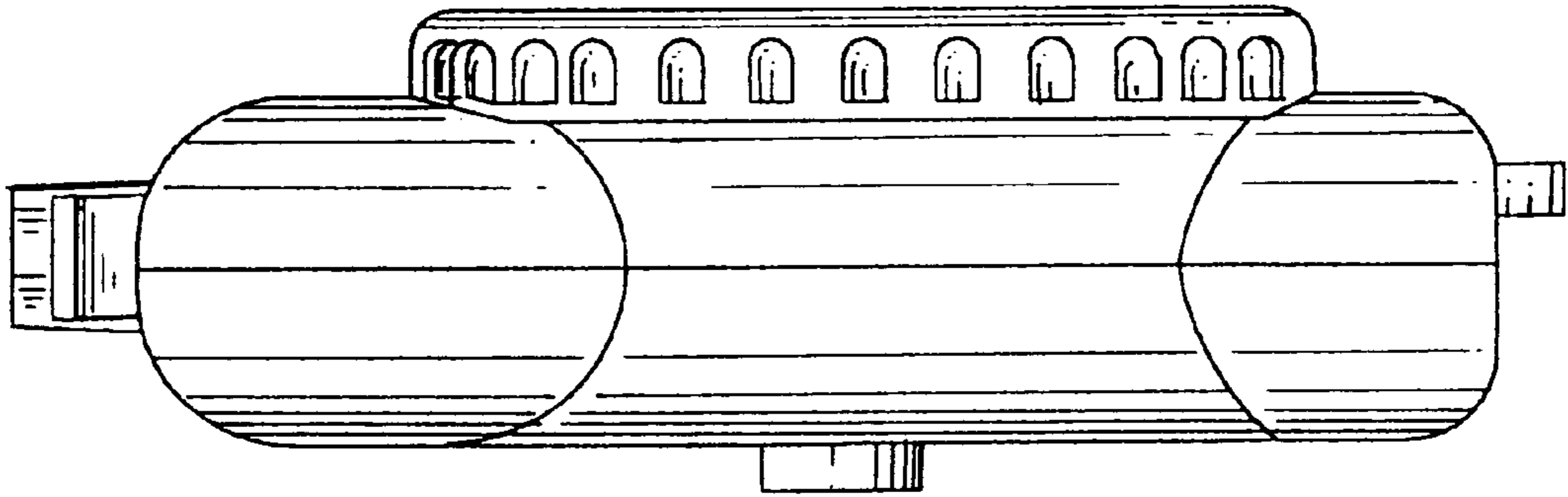


FIG. 2

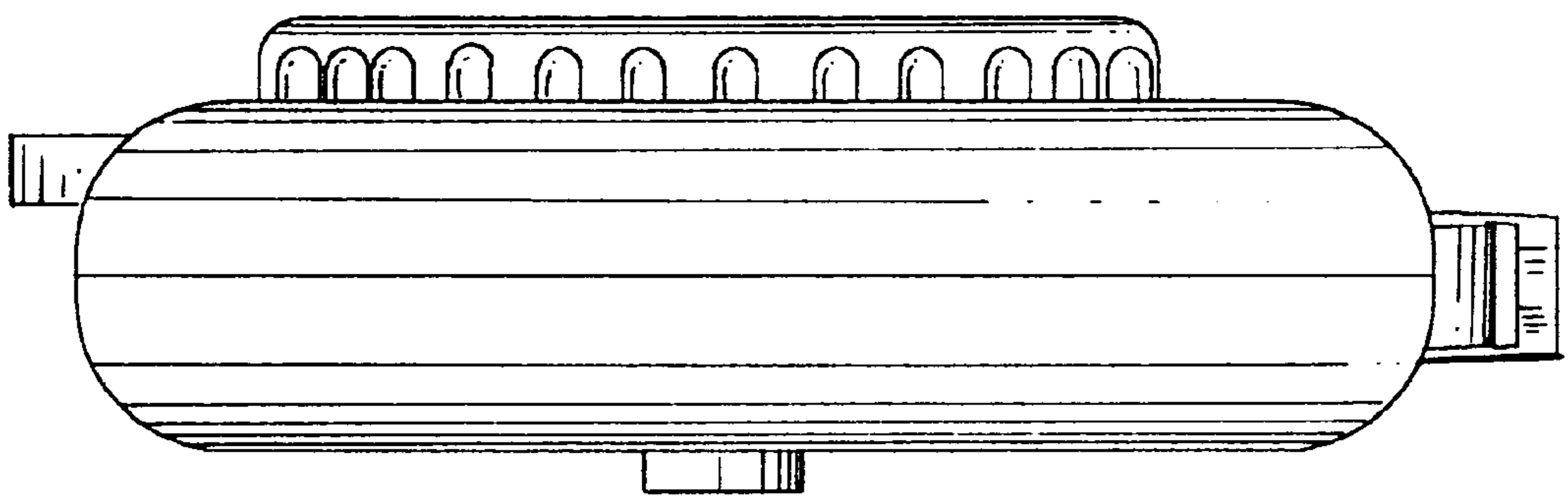


FIG. 3

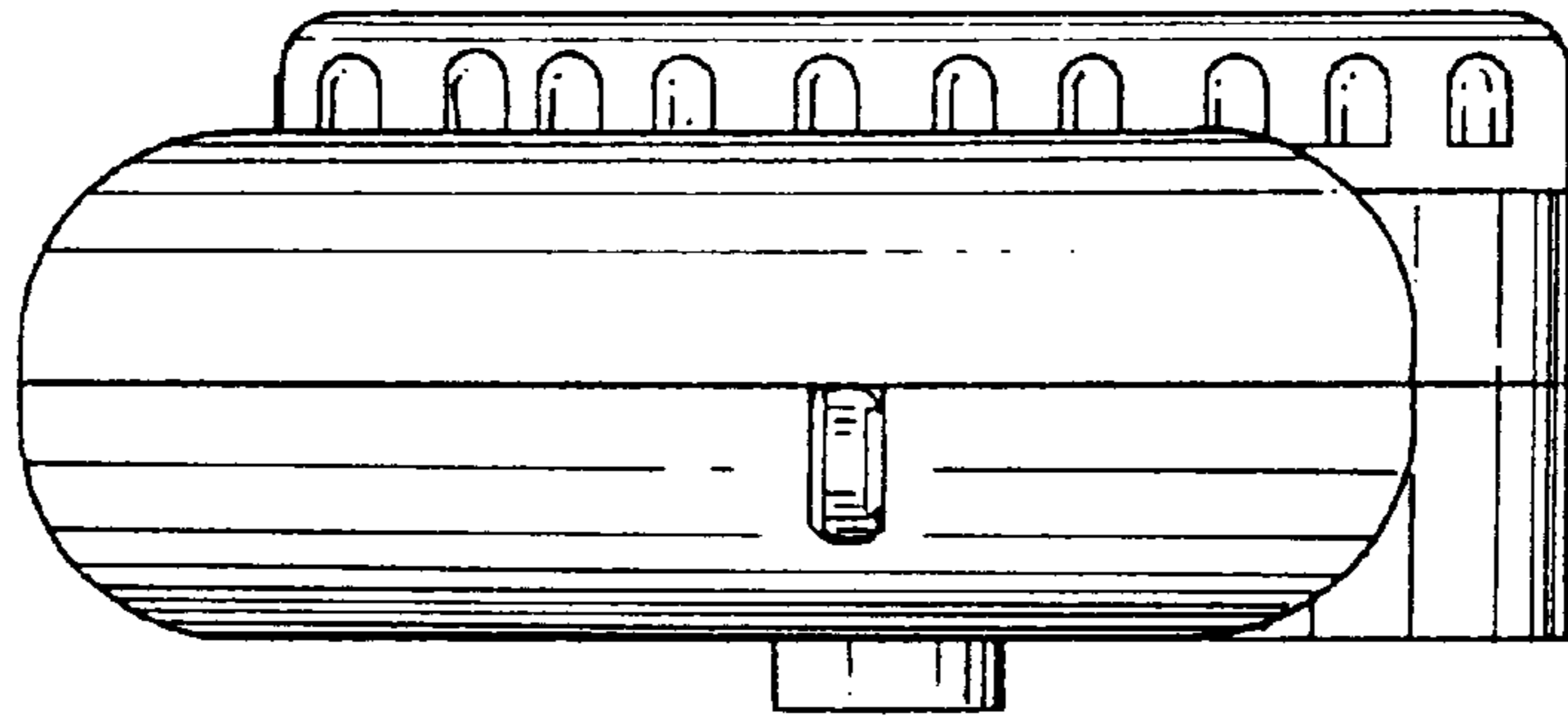


FIG. 4

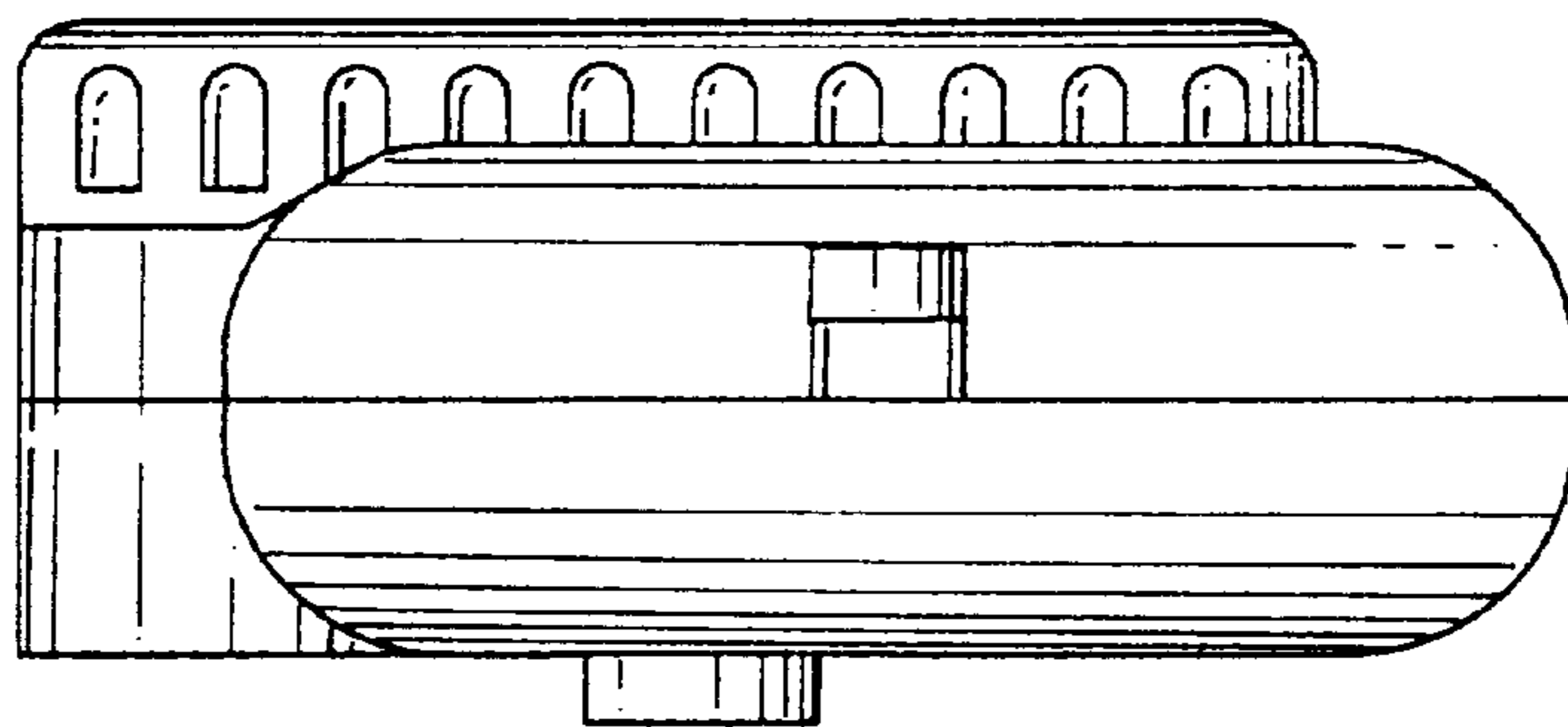


FIG. 5

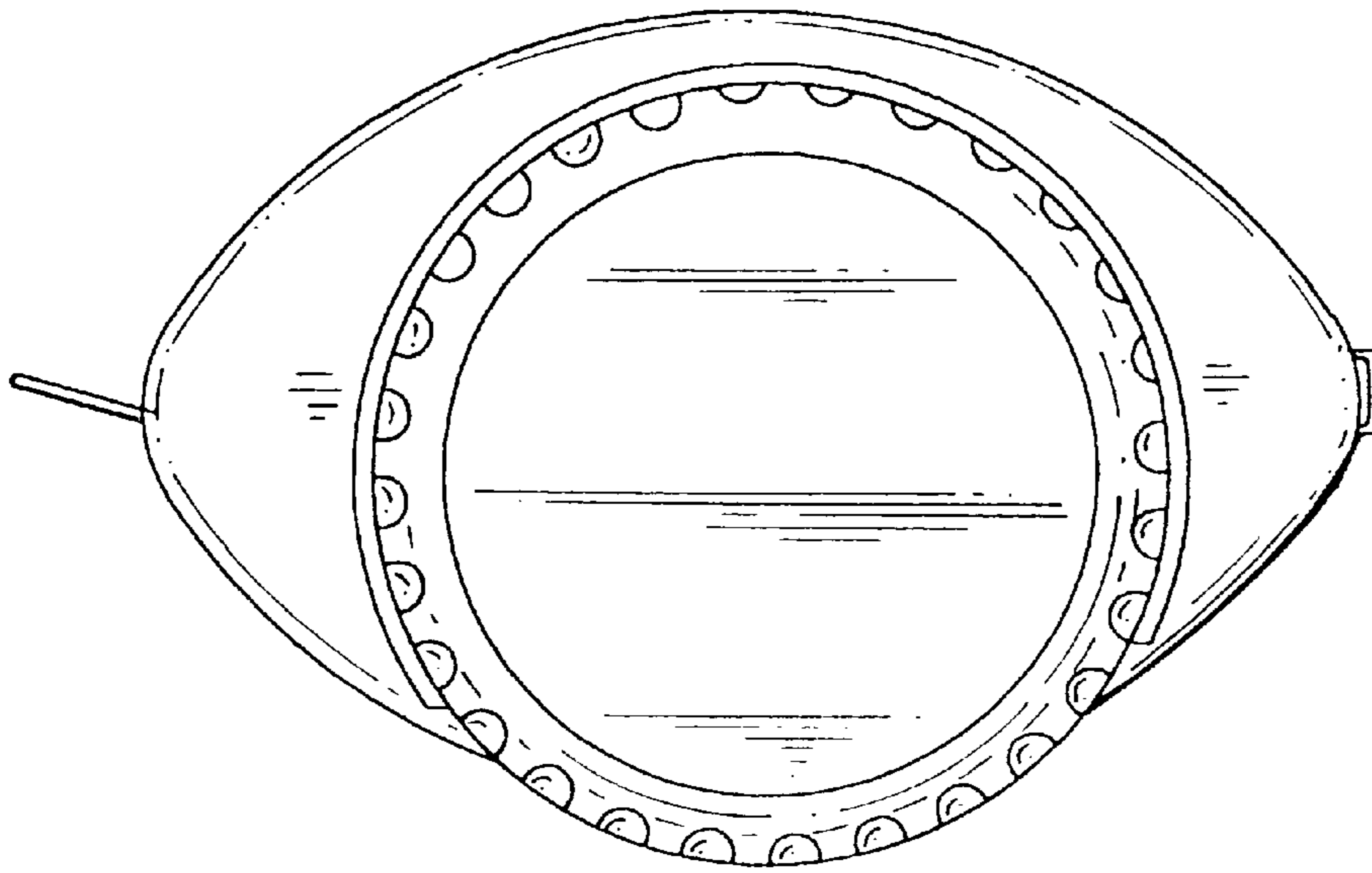


FIG. 6

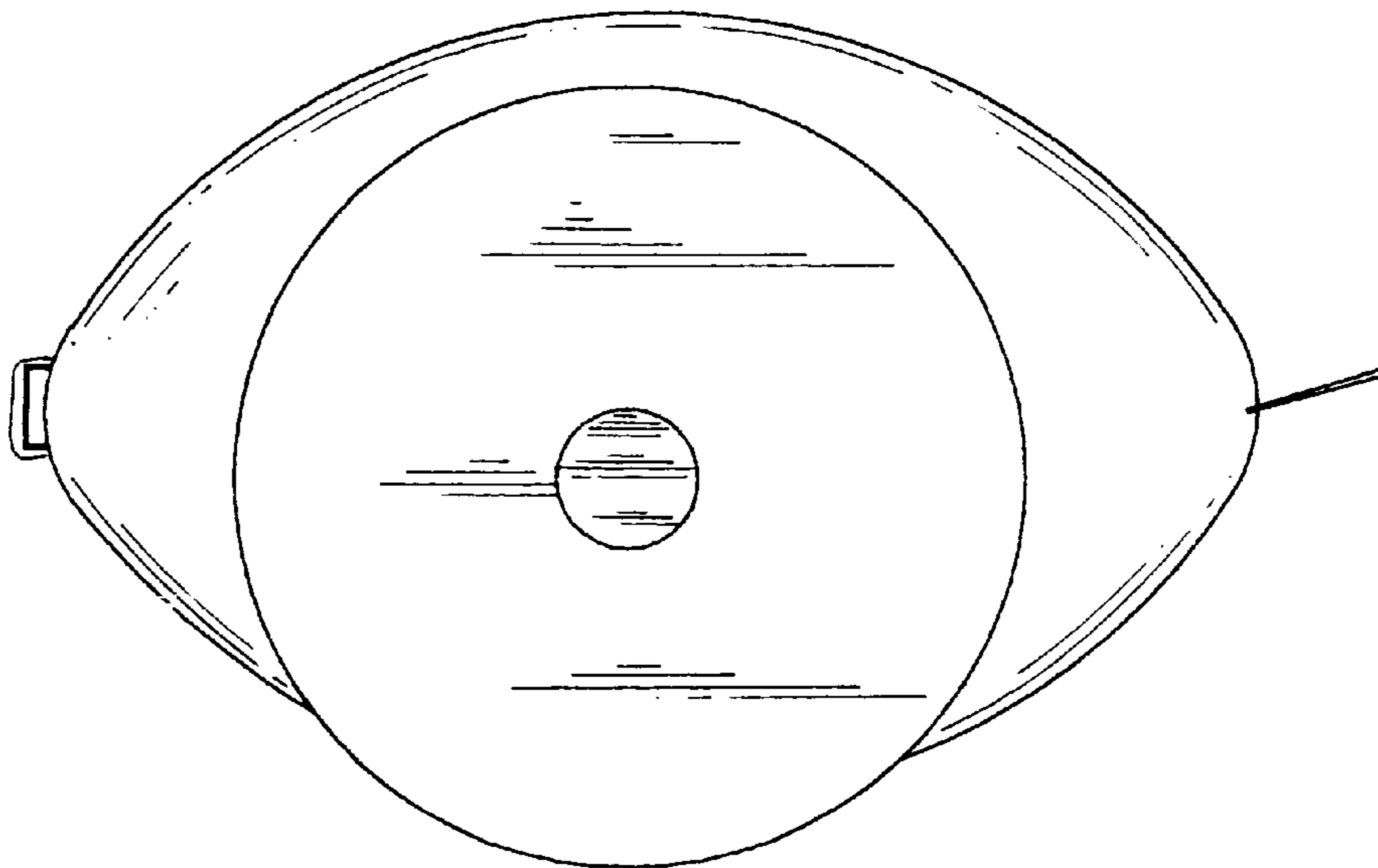


FIG. 7