



US00D418071S

# United States Patent [19]

Vouyouka

[11] Patent Number: Des. 418,071

[45] Date of Patent: \*\* Dec. 28, 1999

[54] **CURVED RULER**

[76] Inventor: **Anastasia Vouyouka**, 112 Egnatia str., Thessaloniki, Greece, 54622

[\*\*] Term: **14 Years**

[21] Appl. No.: **29/098,339**

[22] Filed: **Dec. 28, 1998**

[51] **LOC (6) Cl.** ..... **10-04**

[52] **U.S. Cl.** ..... **D10/71; D10/64**

[58] **Field of Search** ..... D10/64, 71; 33/493-494, 33/563, 565

[56] **References Cited**

**U.S. PATENT DOCUMENTS**

- D. 214,688 7/1969 Bozzi ..... D10/64
- D. 226,450 3/1973 Ajus ..... D10/64
- 3,241,242 3/1966 Dempsey ..... D10/64 X

*Primary Examiner*—Antoine Duval Davis  
*Attorney, Agent, or Firm*—Pennie & Edmonds LLP

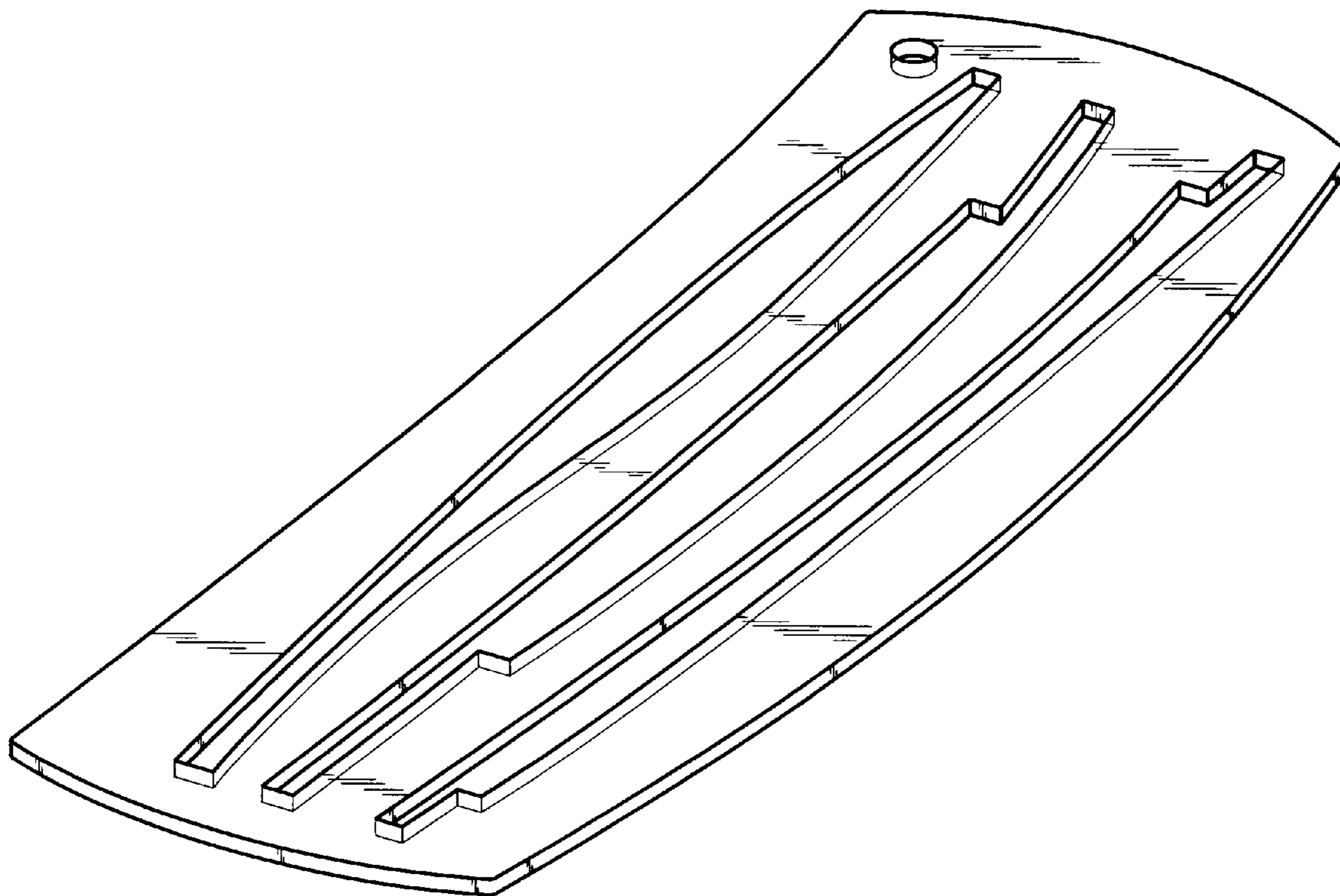
[57] **CLAIM**

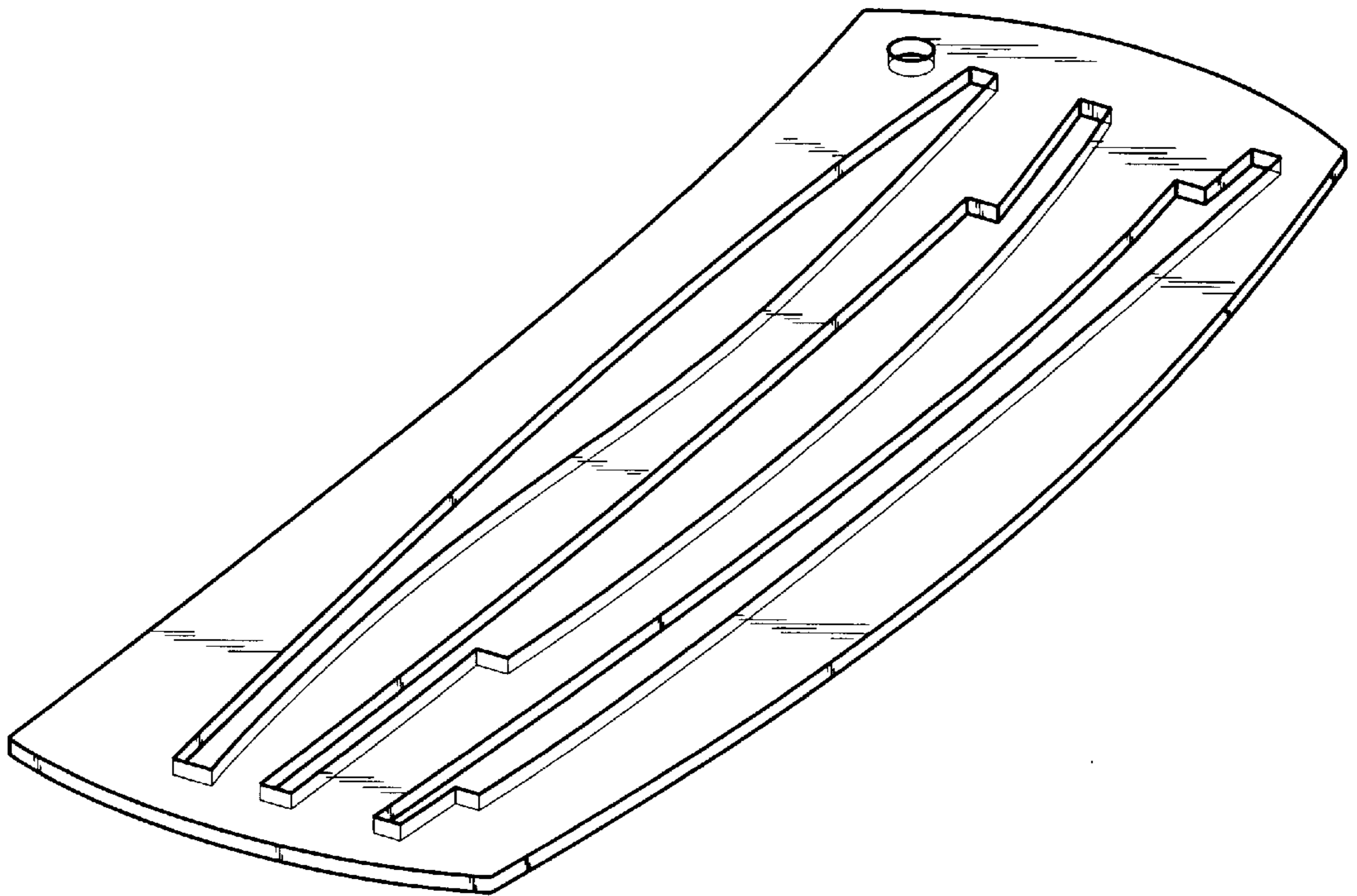
The ornamental design for a curved ruler, as shown and described.

**DESCRIPTION**

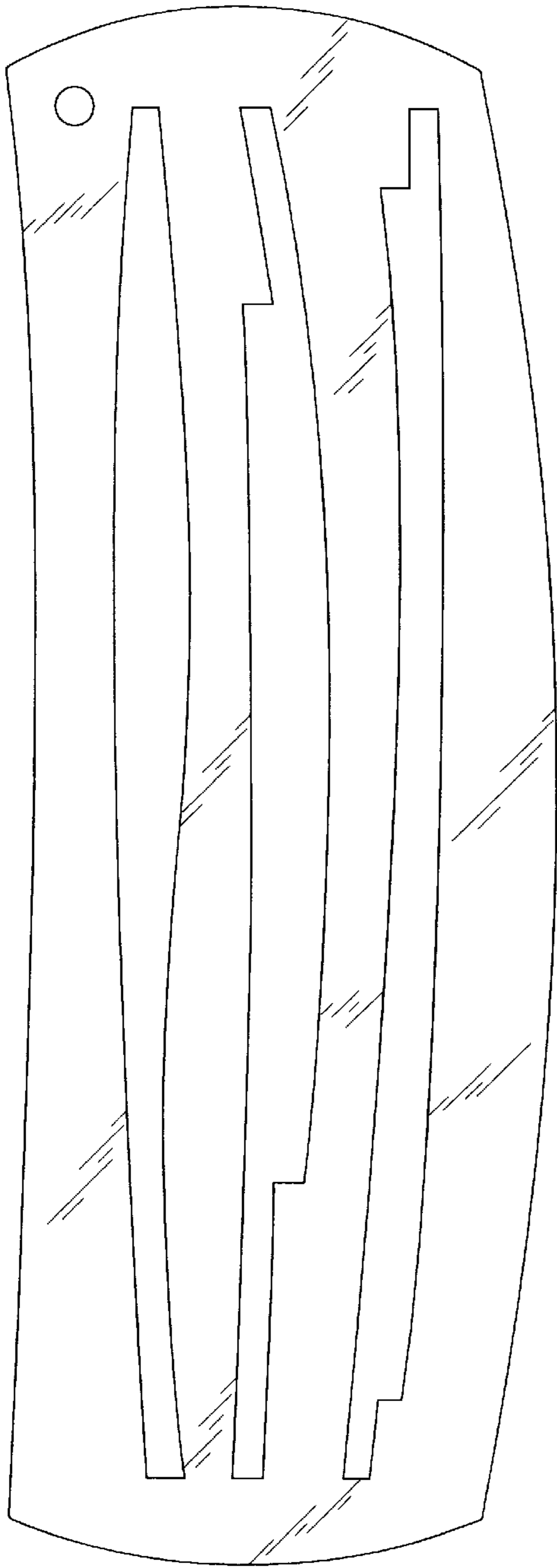
FIG. 1 is a perspective view of the curved ruler according to a first embodiment of the new design;  
 FIG. 2 is a top view thereof;  
 FIG. 3 is a bottom view thereof;  
 FIG. 4 is a top view of a second embodiment of the curved ruler according to the new design;  
 FIG. 5 is a bottom view of the second embodiment shown in FIG. 4;  
 FIG. 6 is a left side view of both embodiments of the new design, this view being the same for each embodiment;  
 FIG. 7 is a right side view of both embodiments of the new design, this view being the same for each embodiment;  
 FIG. 8 is a front view of both embodiments of the new design, this view being the same for each embodiment; and,  
 FIG. 9 is a back view of both embodiments of the new design, this view being the same for each embodiment.

**1 Claim, 4 Drawing Sheets**

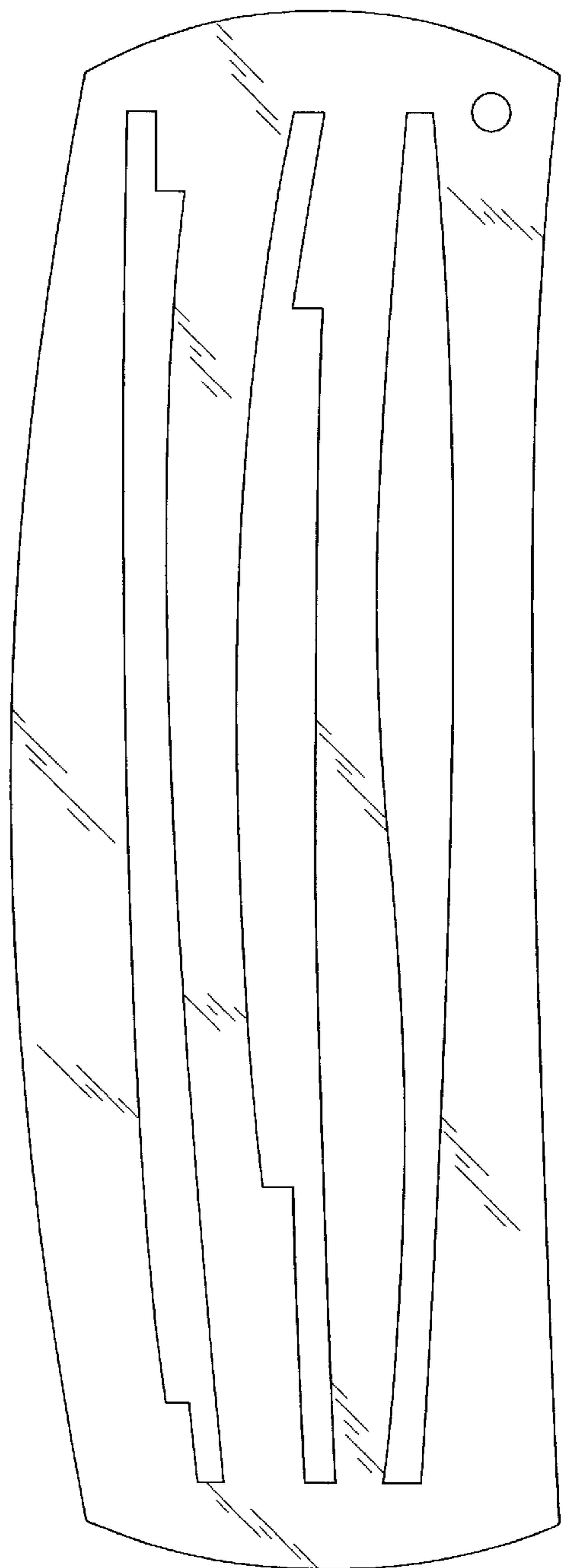




**FIG. 1**



**FIG. 2**



**FIG. 3**

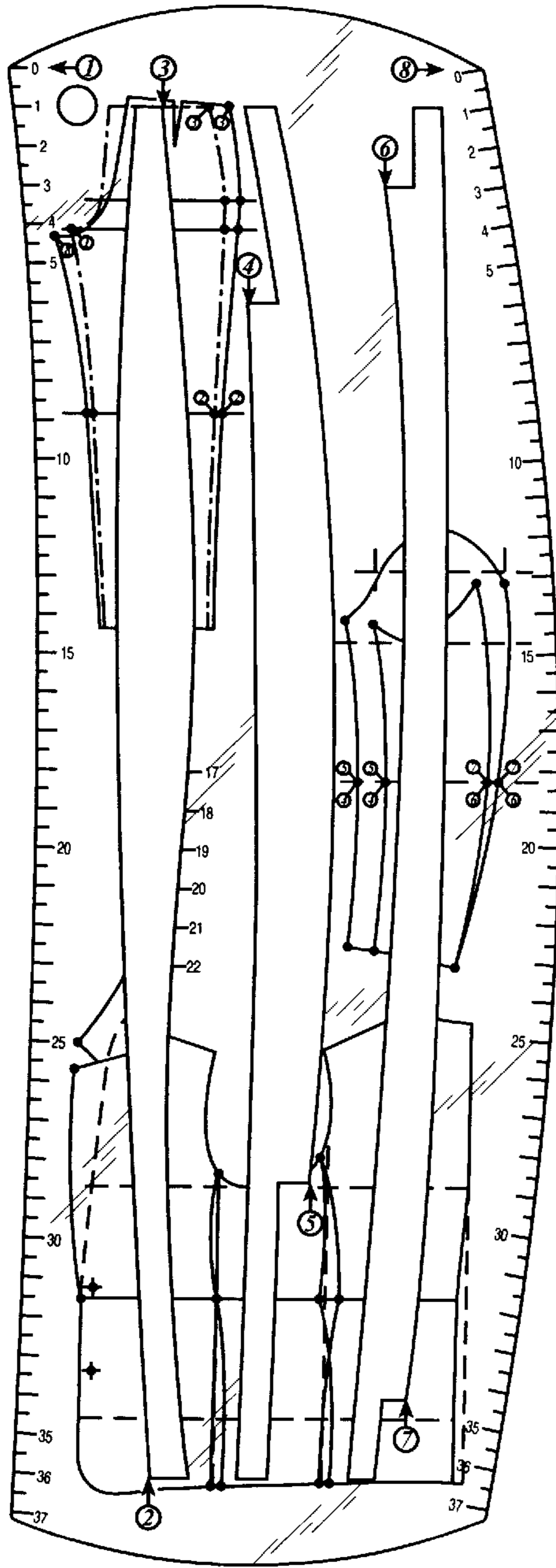


FIG. 4

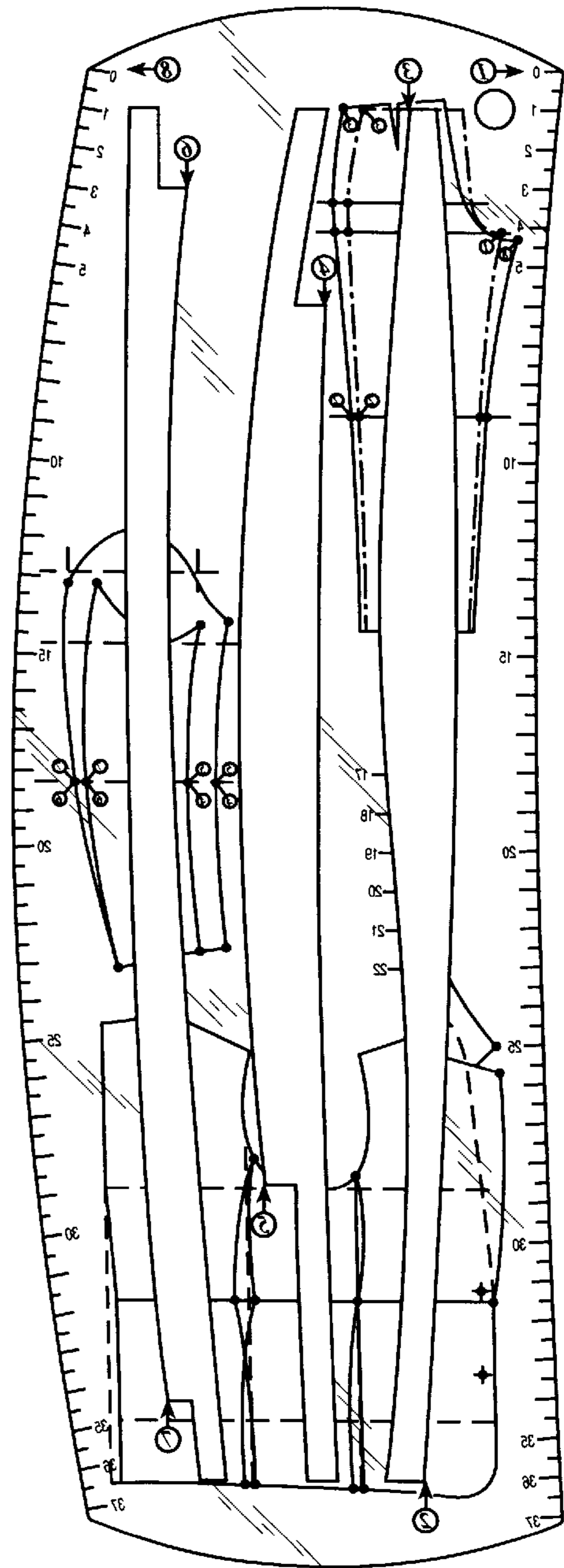
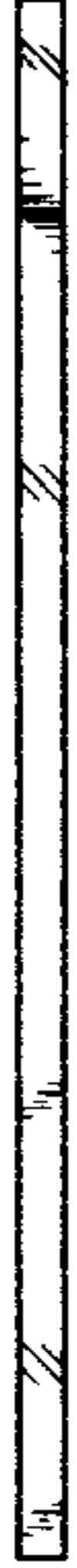
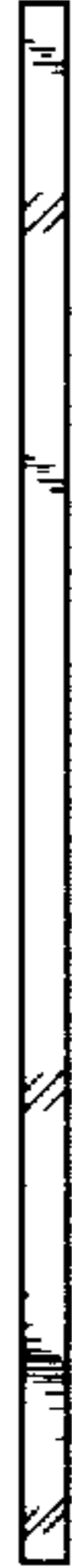


FIG. 5



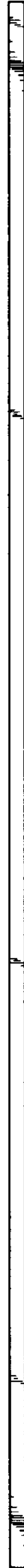
**FIG. 6**



**FIG. 7**



**FIG. 8**



**FIG. 9**