



US00D418069S

**United States Patent** [19]  
**Chung et al.**

[11] **Patent Number: Des. 418,069**

[45] **Date of Patent: \*\* Dec. 28, 1999**

[54] **COOKING THERMOMETER**

[75] Inventors: **Charles Wong Tak Chung**, Quarry Bay; **Patrick Fong Wing Hon**, Sunshine; **So Si Kin**, North Point, all of The Hong Kong Special Administrative Region of the People's Republic of China

[73] Assignee: **Electronics Tomorrow Limited**, Hunghom, The Hong Kong Special Administrative Region of the People's Republic of China

[\*\*] Term: **14 Years**

[21] Appl. No.: **29/098,896**

[22] Filed: **Jan. 8, 1999**

[51] **LOC (6) Cl.** ..... **10-04**

[52] **U.S. Cl.** ..... **D10/57**

[58] **Field of Search** ..... D10/57; 374/141, 374/208

[56] **References Cited**

**U.S. PATENT DOCUMENTS**

- D. 300,515 4/1989 Chan ..... D10/57
- D. 393,600 4/1998 Keller ..... D10/57

**OTHER PUBLICATIONS**

- Brochure, Model 3610.
- Brochure, Model 3620.
- Brochure, Never Burn or Overcook Foods Again. It Gives You Perfect Results, Every Time.

*Primary Examiner*—Antoine Duval Davis  
*Attorney, Agent, or Firm*—Cook, Alex, McFarron, Manzo, Cummings & Mehler, Ltd.

[57] **CLAIM**

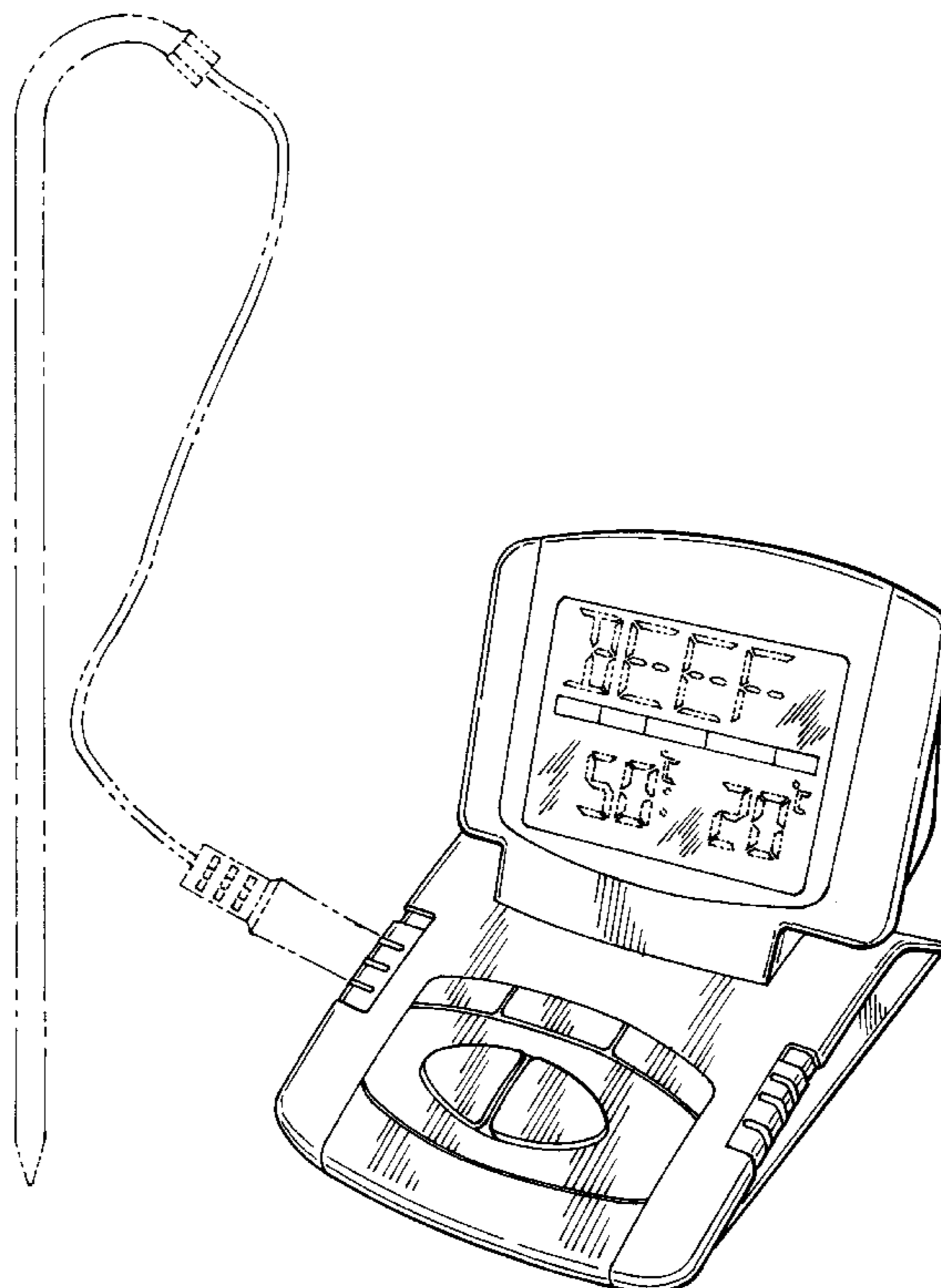
The ornamental design for a cooking thermometer, as shown and described.

**DESCRIPTION**

FIG. 1 is a perspective view of a cooking thermometer showing a preferred embodiment of our new design;  
 FIG. 2 is a front elevational view thereof;  
 FIG. 3 is a top plan view thereof;  
 FIG. 4 is a bottom plan view thereof;  
 FIG. 5 is a rear elevational view thereof;  
 FIG. 6 is a left end elevational view thereof;  
 FIG. 7 is a right end elevational view thereof;  
 FIG. 8 is a perspective view of an alternative embodiment of the cooking thermometer;  
 FIG. 9 is a front elevational view of the FIG. 8 embodiment;  
 FIG. 10 is a top plan view thereof;  
 FIG. 11 is a bottom plan view thereof;  
 FIG. 12 is a rear elevational view thereof;  
 FIG. 13 is a left end elevational view thereof; and,  
 FIG. 14 is a right end elevational view thereof.

The broken line showing is for illustrative purposes only and forms no part of the claimed design.

**1 Claim, 6 Drawing Sheets**



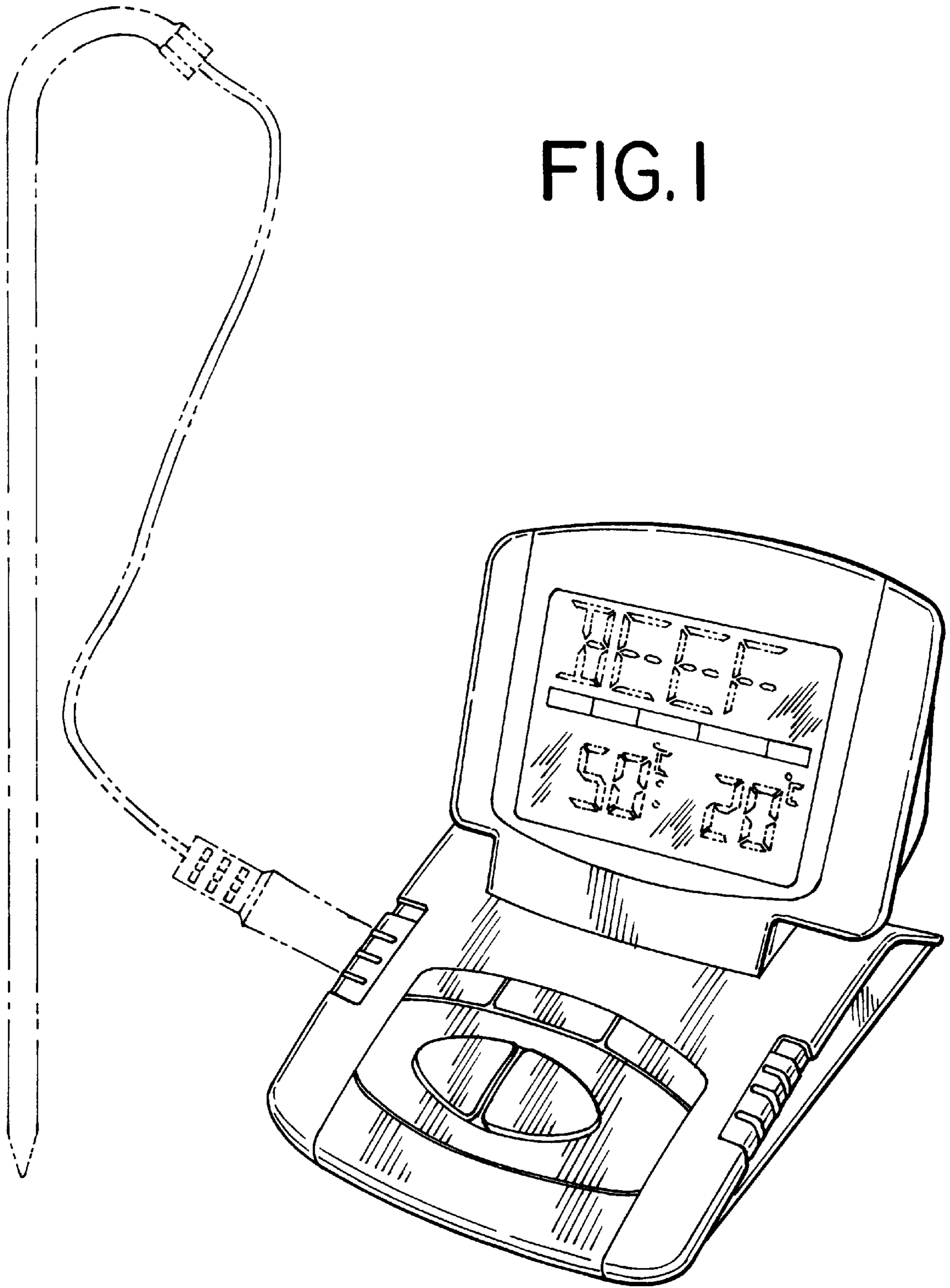


FIG. 1

FIG.2

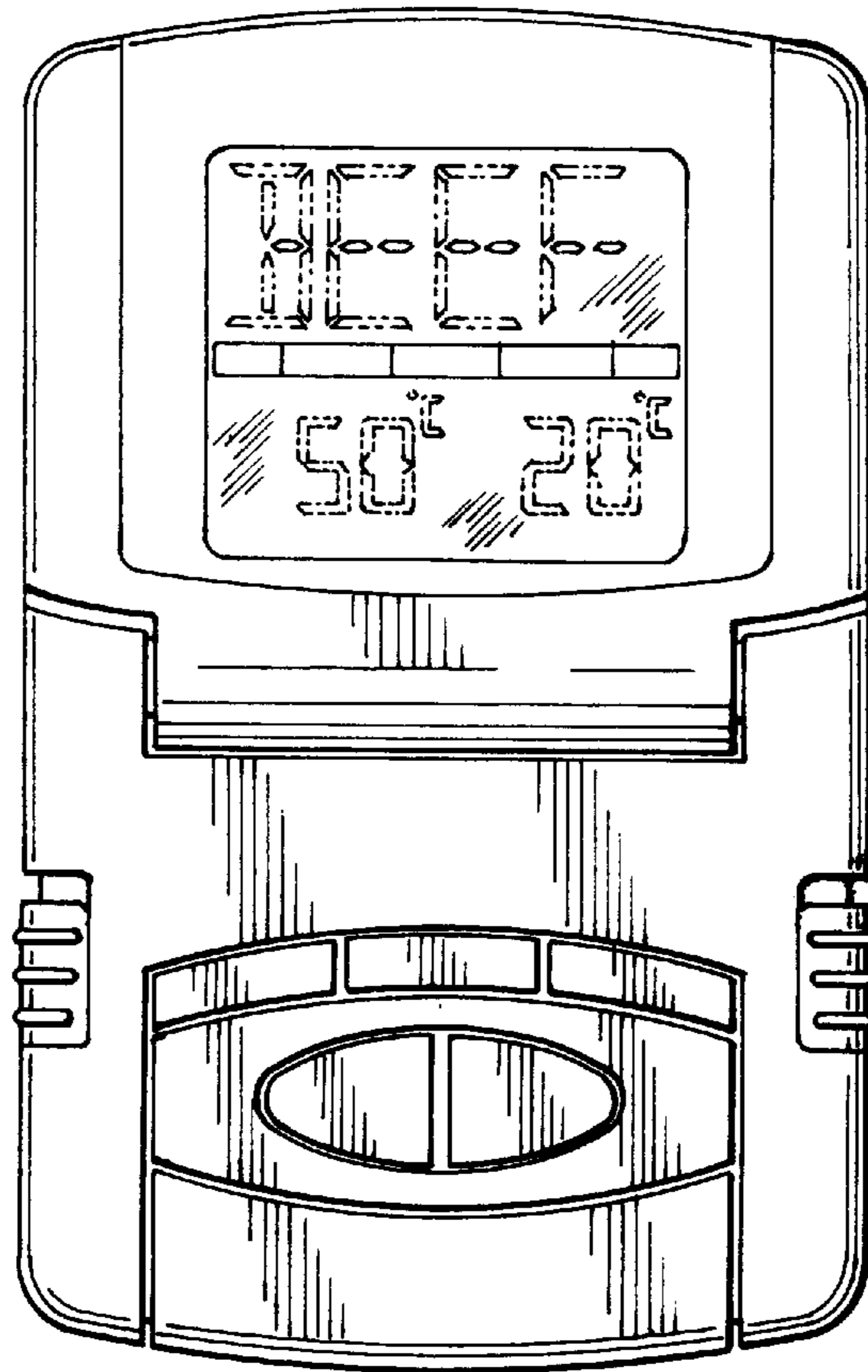


FIG.3

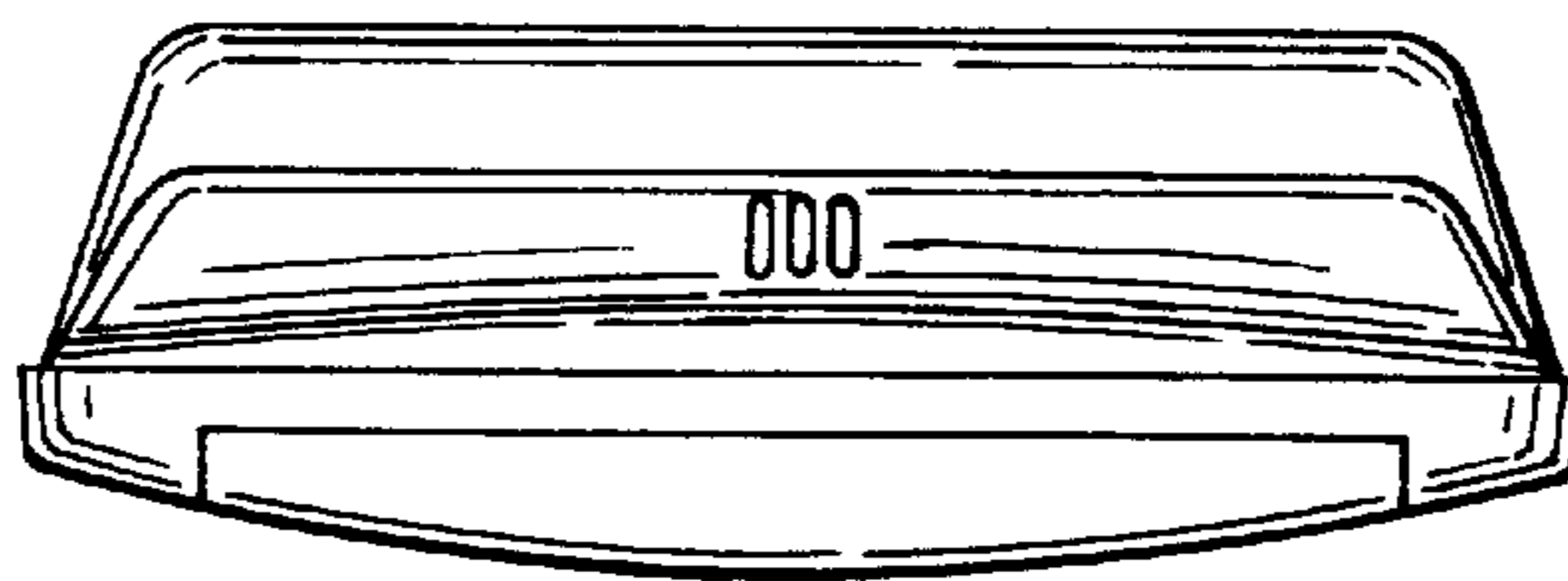


FIG.4

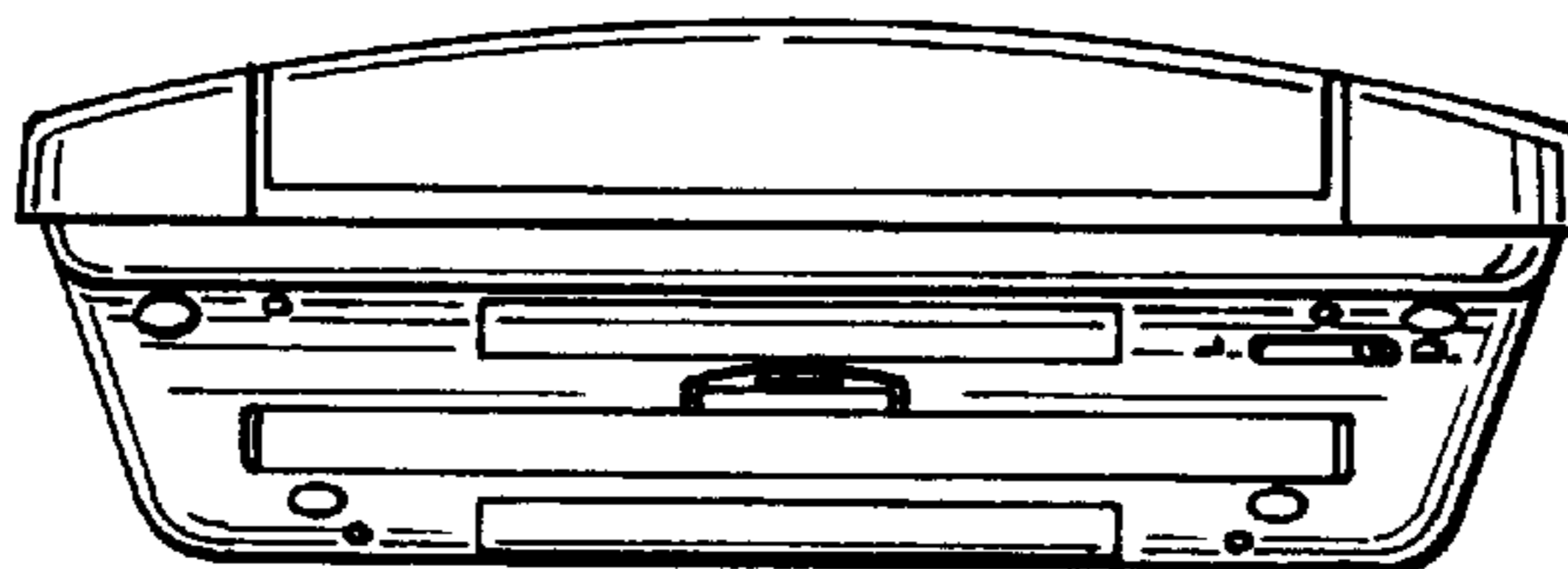


FIG.5

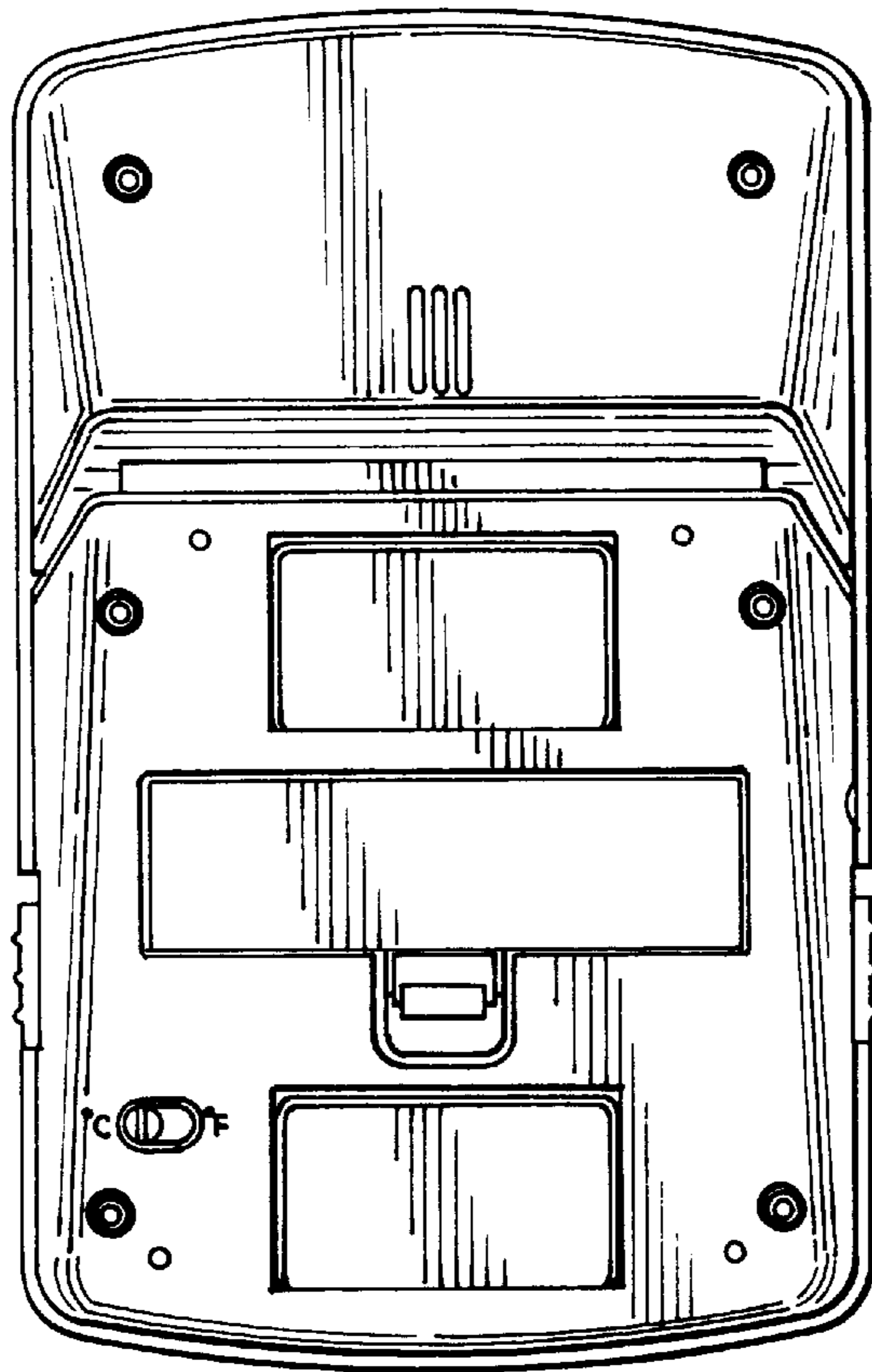


FIG.6

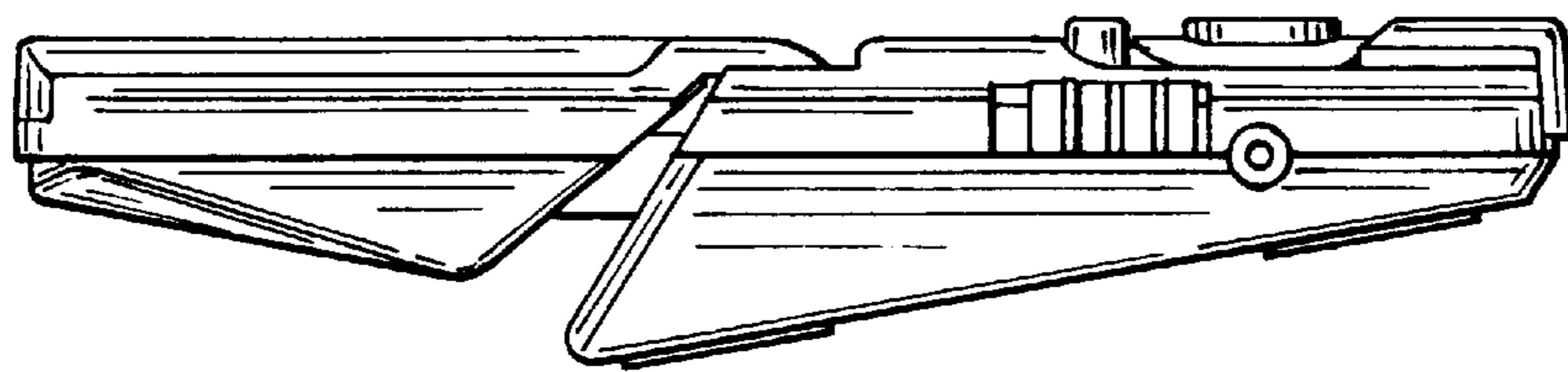


FIG.7

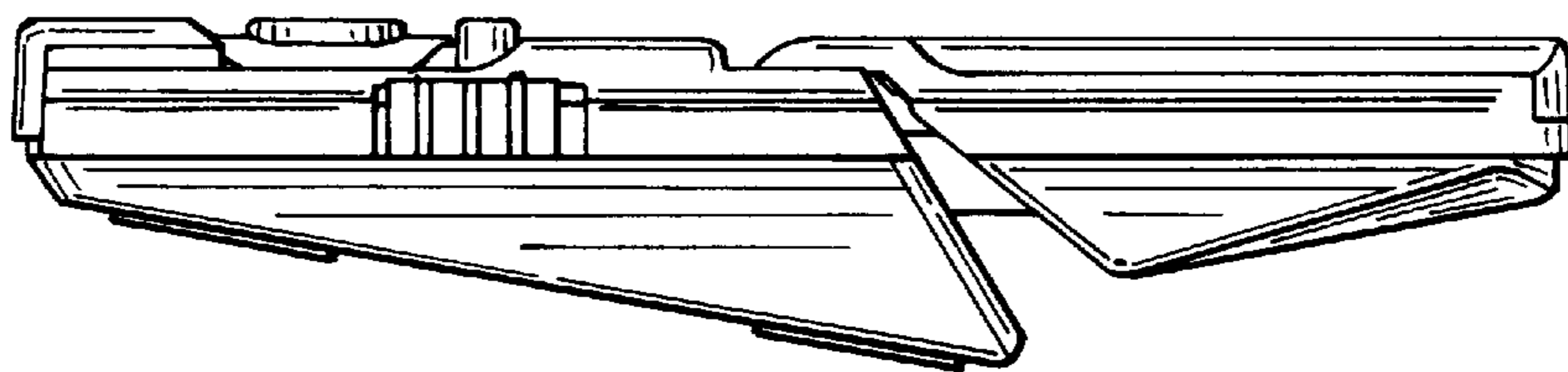


FIG. 8

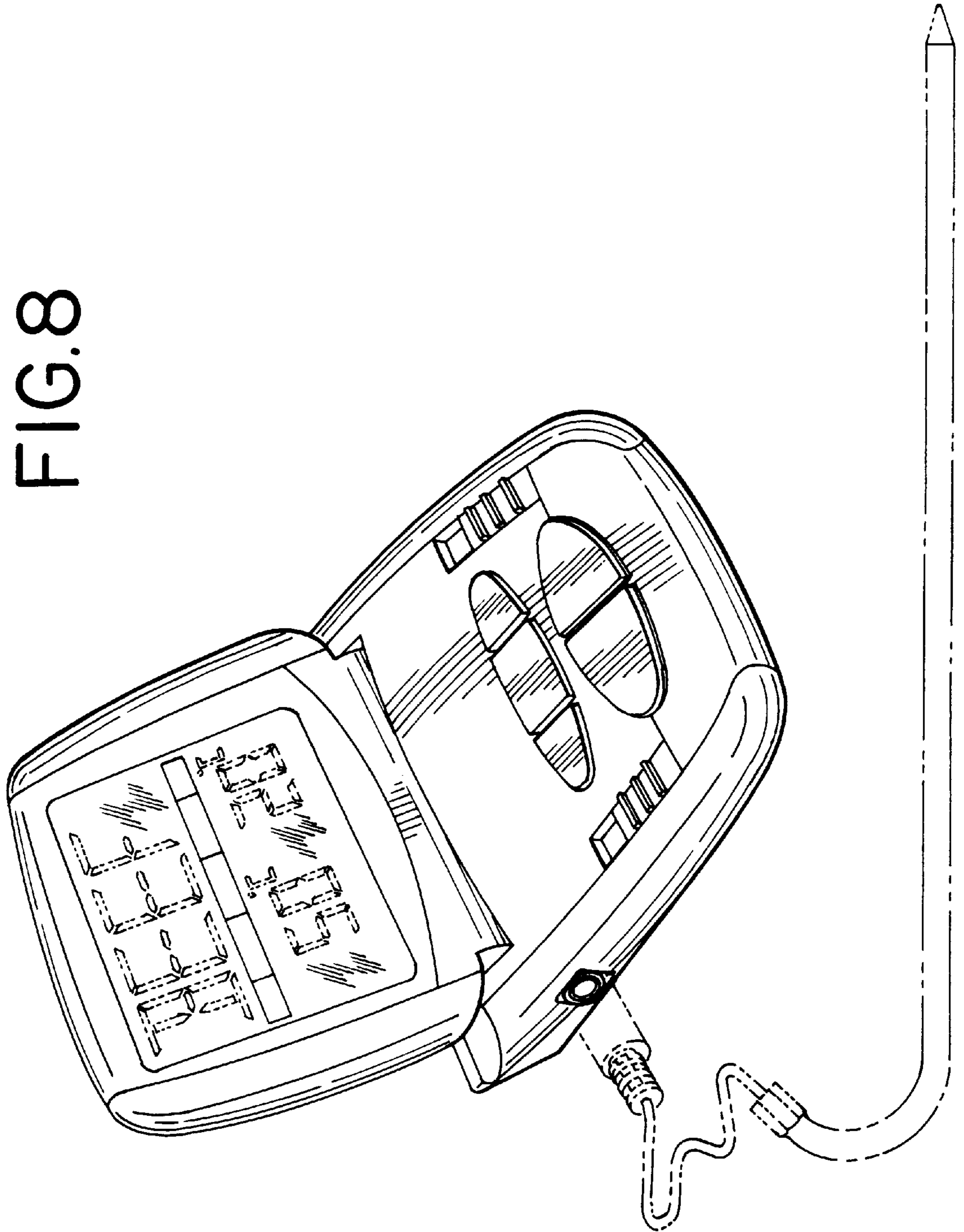


FIG. 9

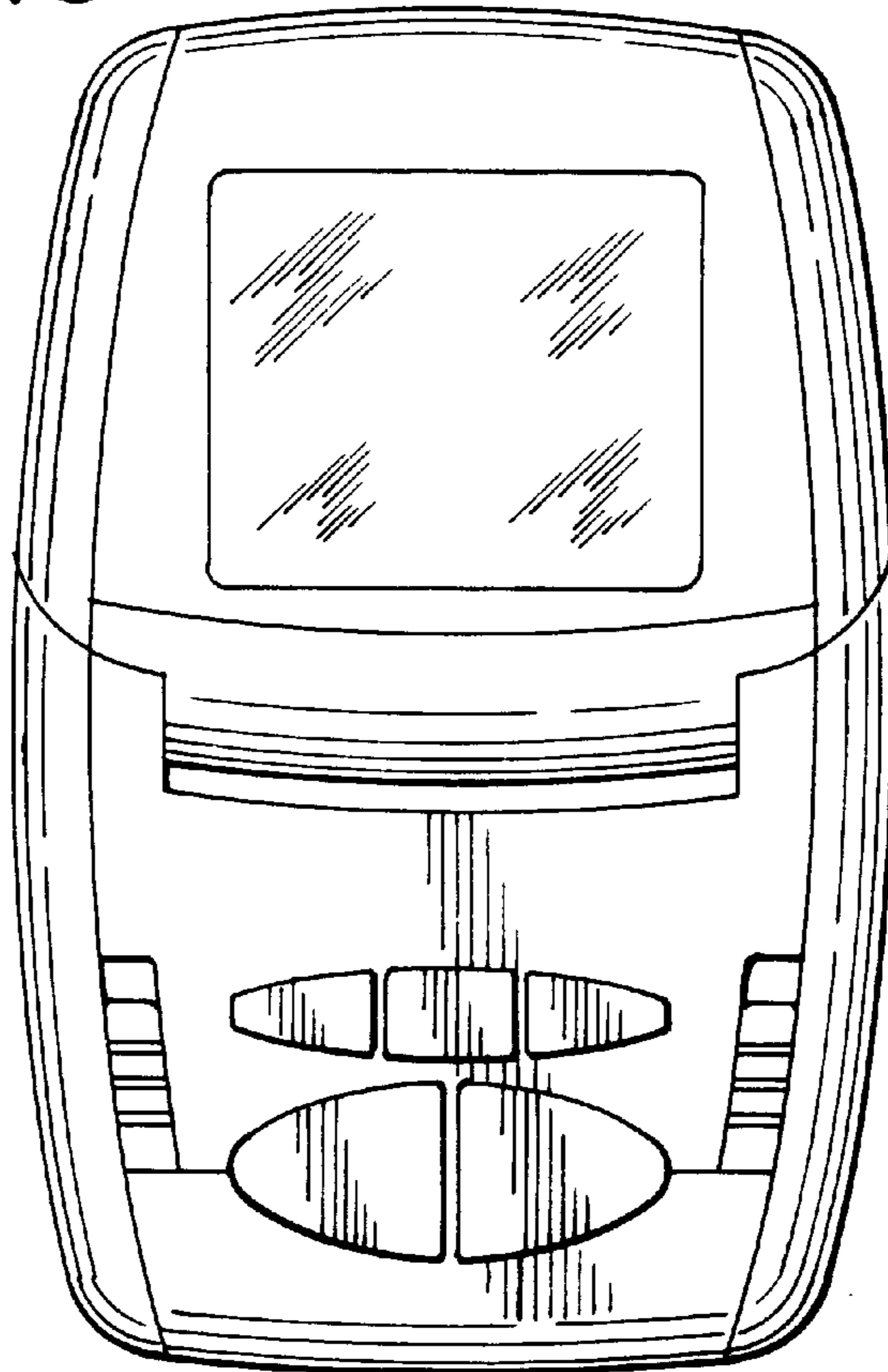


FIG. 10

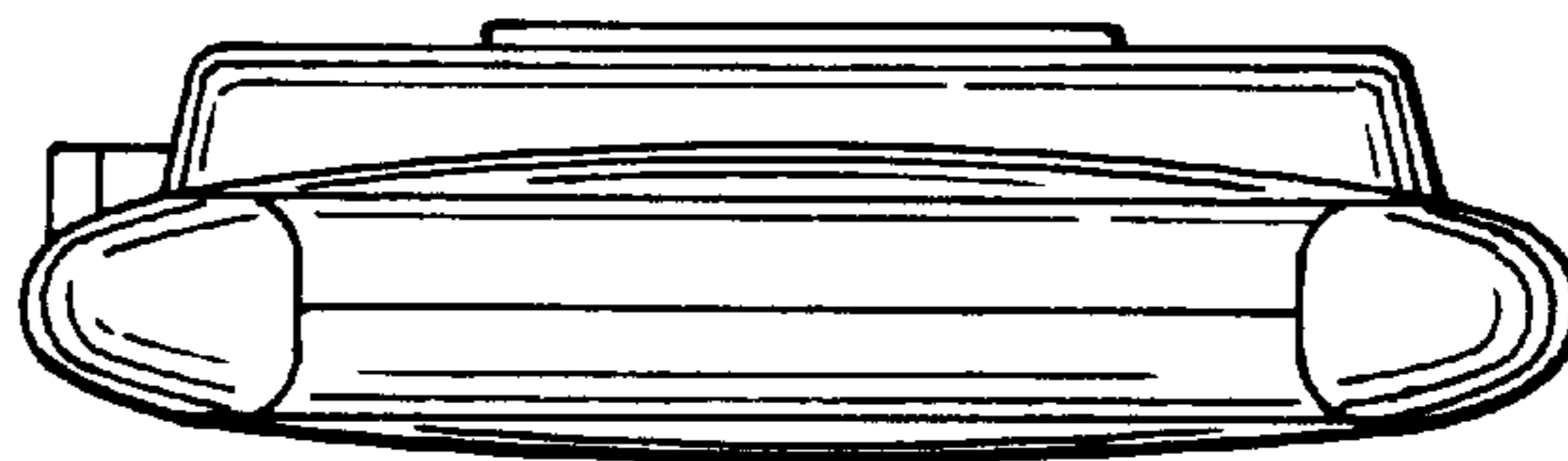


FIG. 11

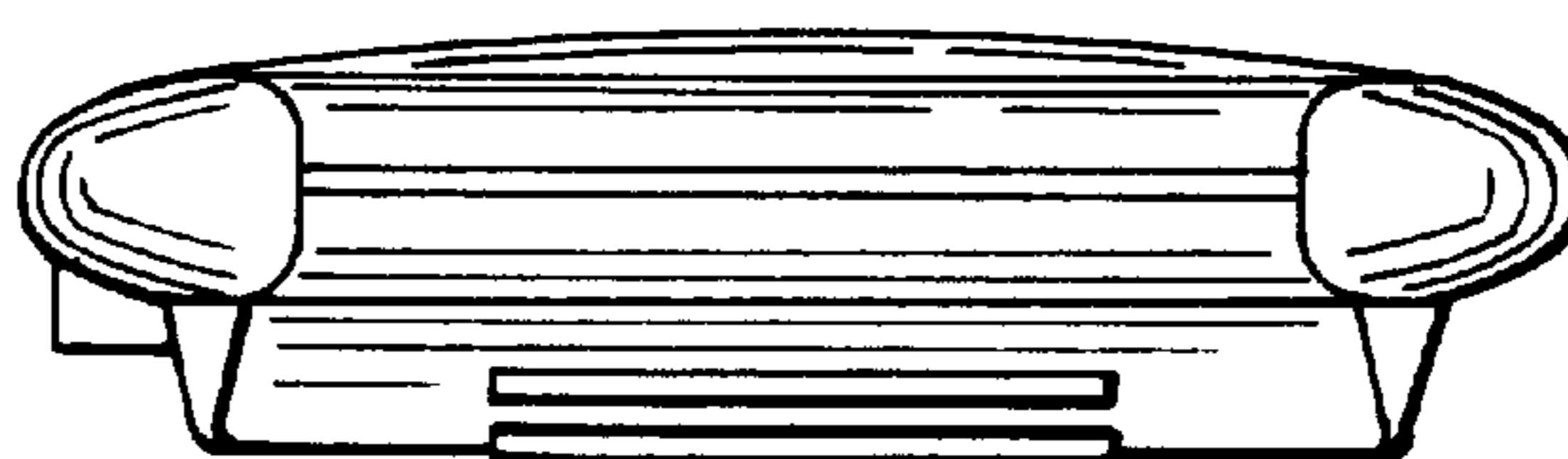


FIG.12

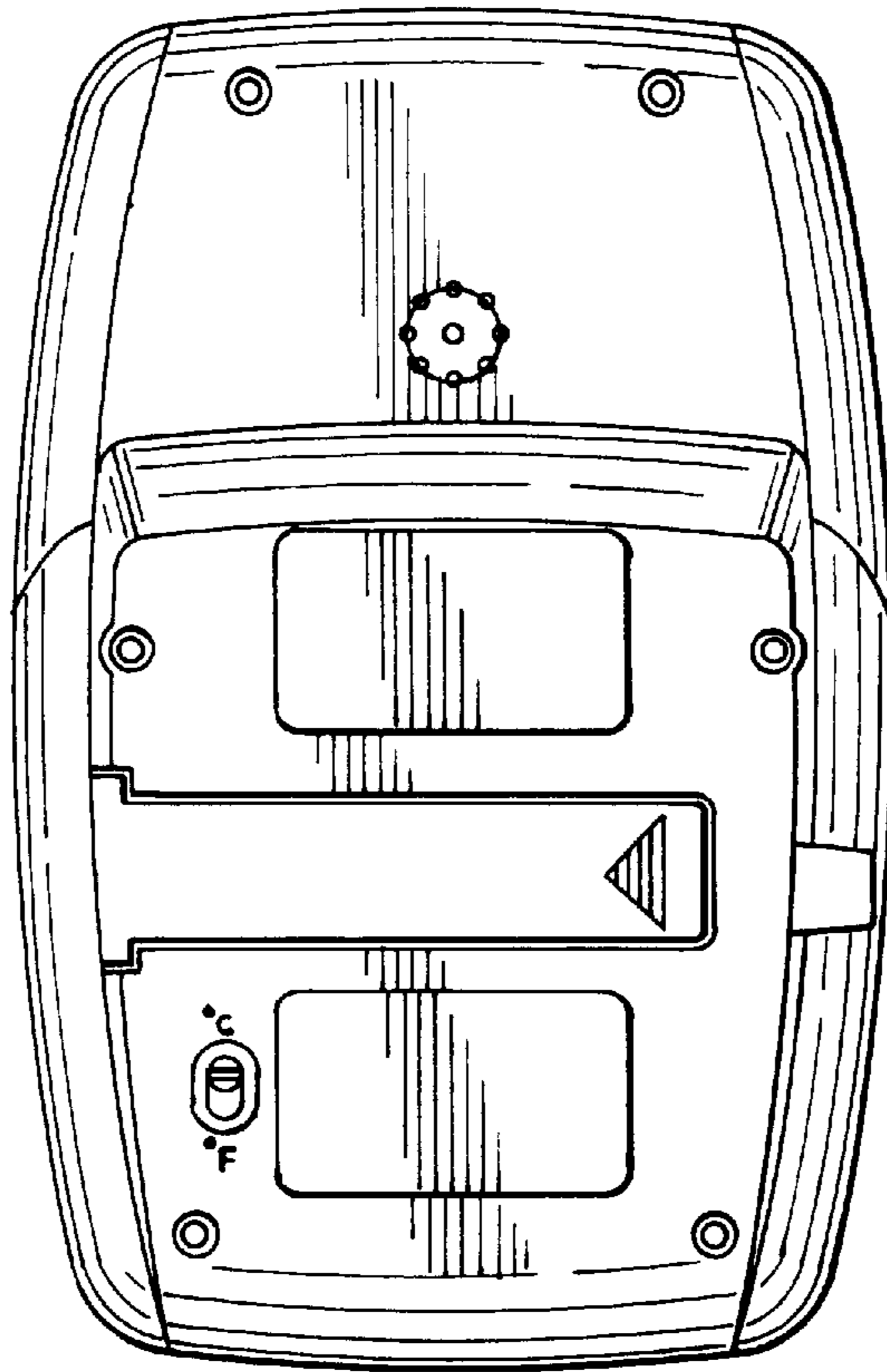


FIG.13

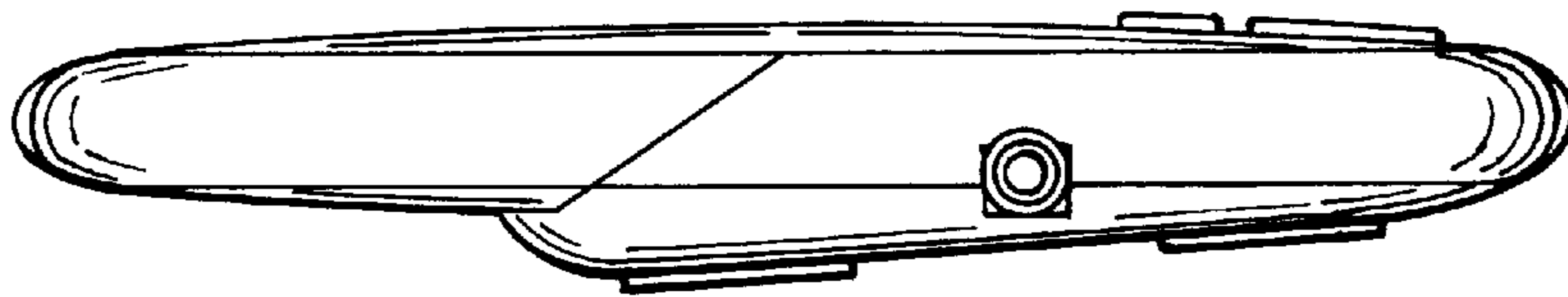


FIG.14

