



US00D418068S

**United States Patent** [19]  
**Robbins, III**

[11] **Patent Number: Des. 418,068**

[45] **Date of Patent: \*\* Dec. 28, 1999**

[54] **MEASURING CANISTER**

D. 405,703 2/1999 Robbins, III ..... D10/46.2

[76] Inventor: **Edward S. Robbins, III**, 128  
Hazelwood La., Florence, Ala. 35630

*Primary Examiner*—Terry A. Wallace  
*Attorney, Agent, or Firm*—Locke Reynolds LLP

[\*\*] Term: **14 Years**

[57] **CLAIM**

[21] Appl. No.: **29/089,801**

I claim the ornamental design for a measuring canister, as shown and described.

[22] Filed: **Jun. 22, 1998**

**DESCRIPTION**

[51] **LOC (6) Cl.** ..... **10-04**

FIG. 1 is a top plan view of a measuring canister showing my new design;

[52] **U.S. Cl.** ..... **D10/46.2**; D7/612

FIG. 2 is a side elevation view thereof, the opposite side being identical;

[58] **Field of Search** ..... D10/46.2, 46.3;  
D7/612-615, 300, 312, 320, 321; 73/426-429;  
222/158, 454, 455, 566

FIG. 3 is a rear elevation view thereof;

FIG. 4 is a front elevation view thereof;

FIG. 5 is a bottom plan view thereof;

FIG. 6 is a perspective view thereof; and,

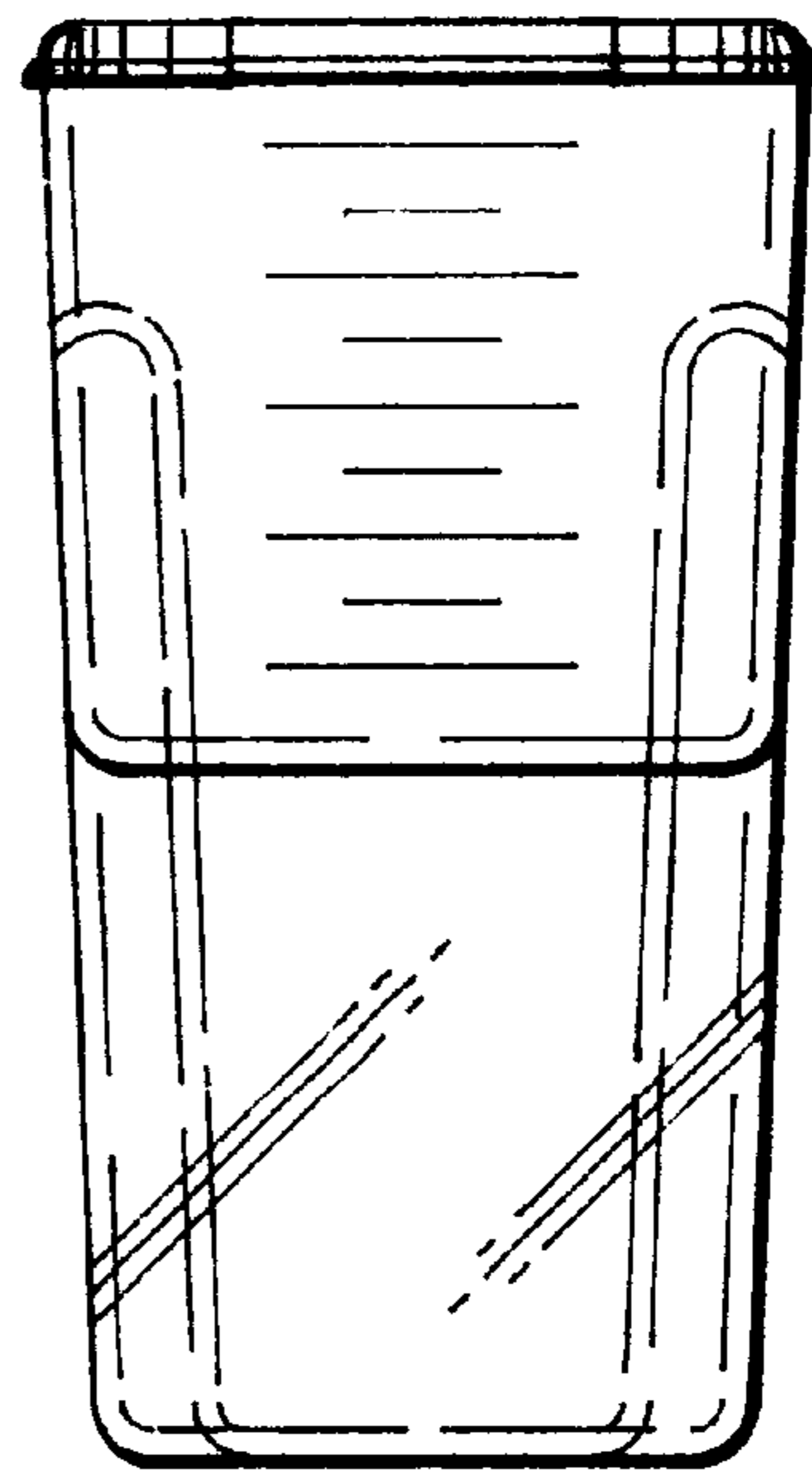
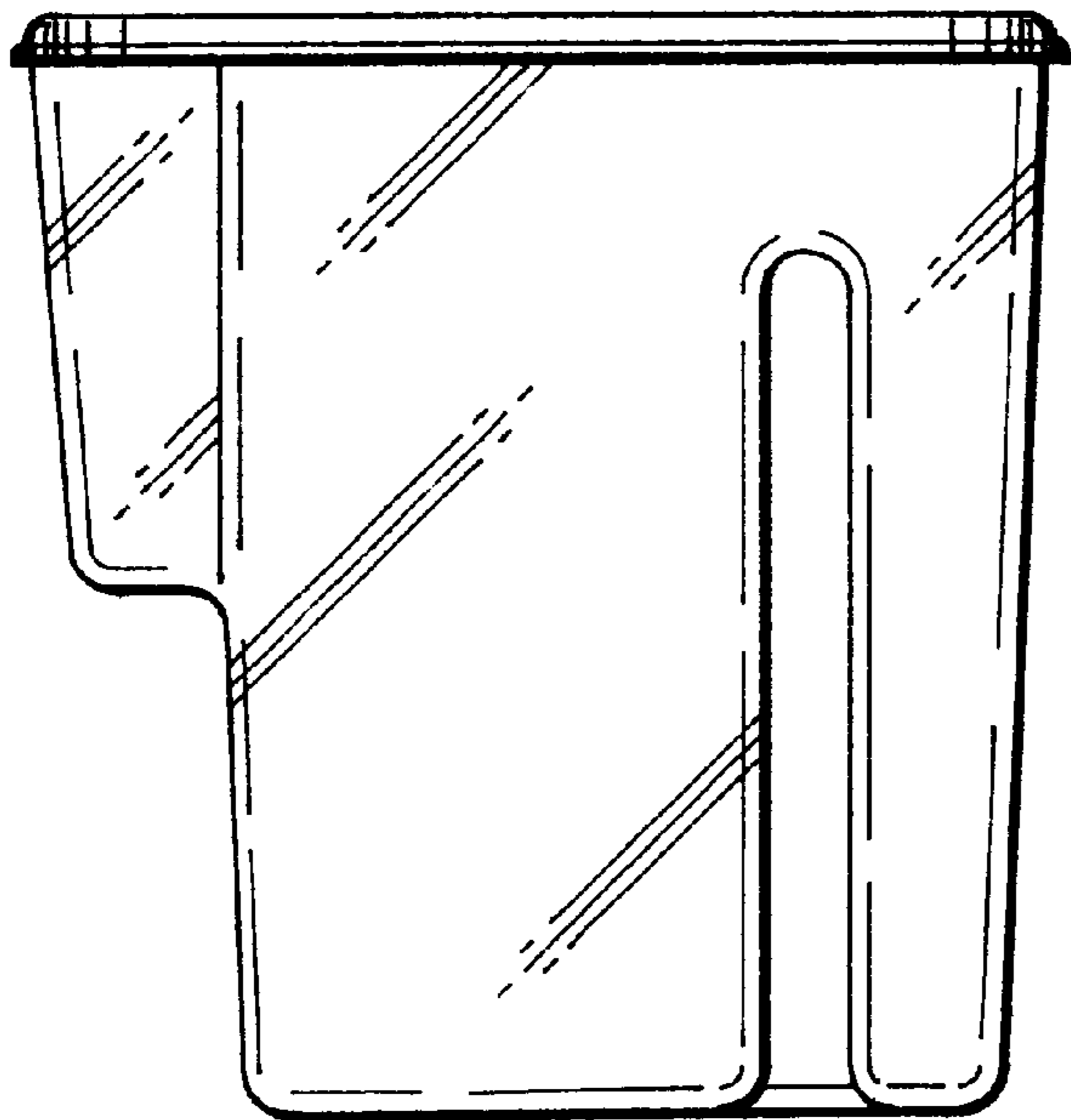
FIG. 7 is a perspective view thereof in an open position.

[56] **References Cited**

**U.S. PATENT DOCUMENTS**

- D. 369,755 5/1996 Burcham et al. .... D10/46.2
- D. 403,601 1/1999 Robbins, III ..... D10/46.2

**1 Claim, 2 Drawing Sheets**



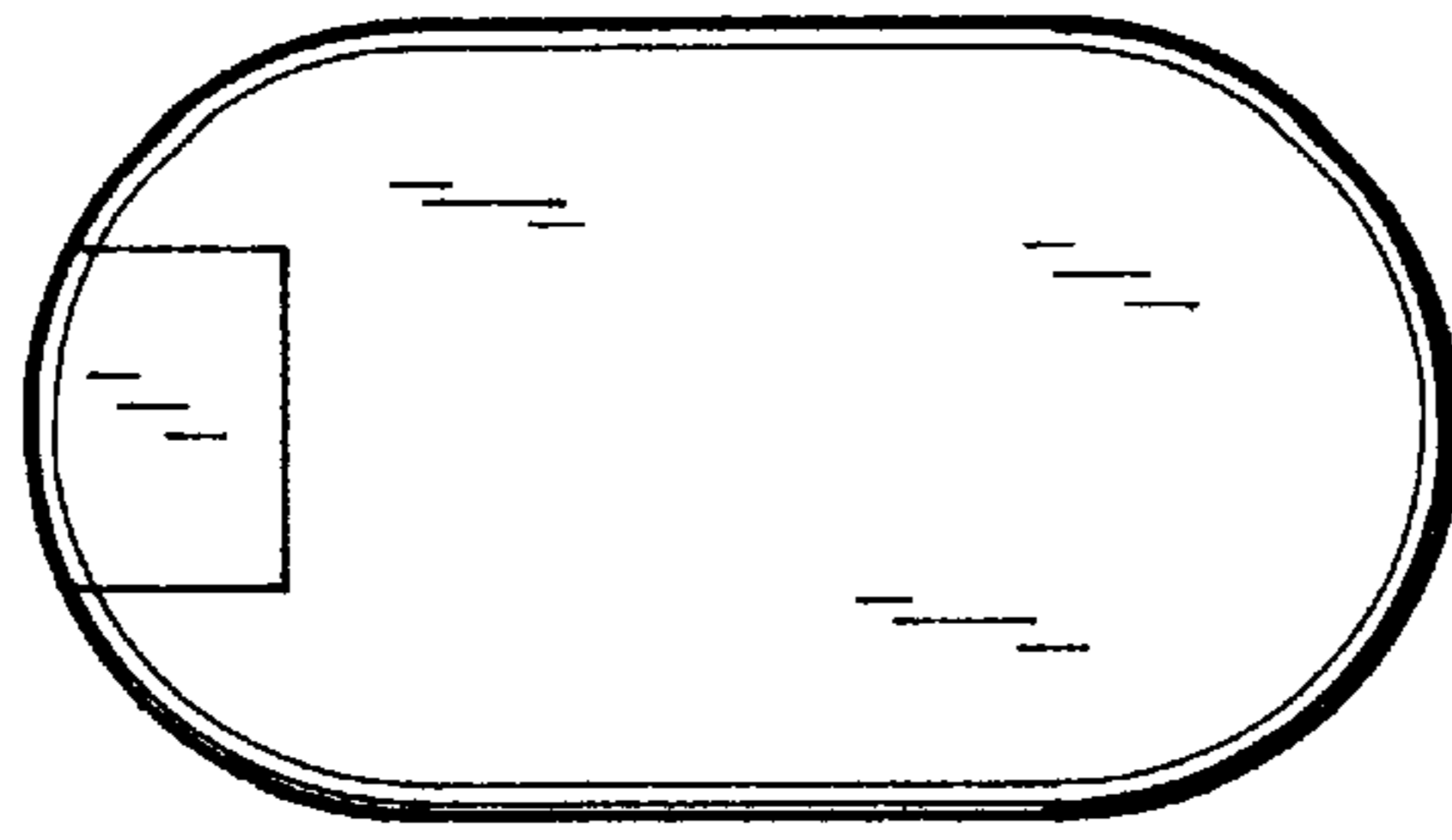


FIG. 1

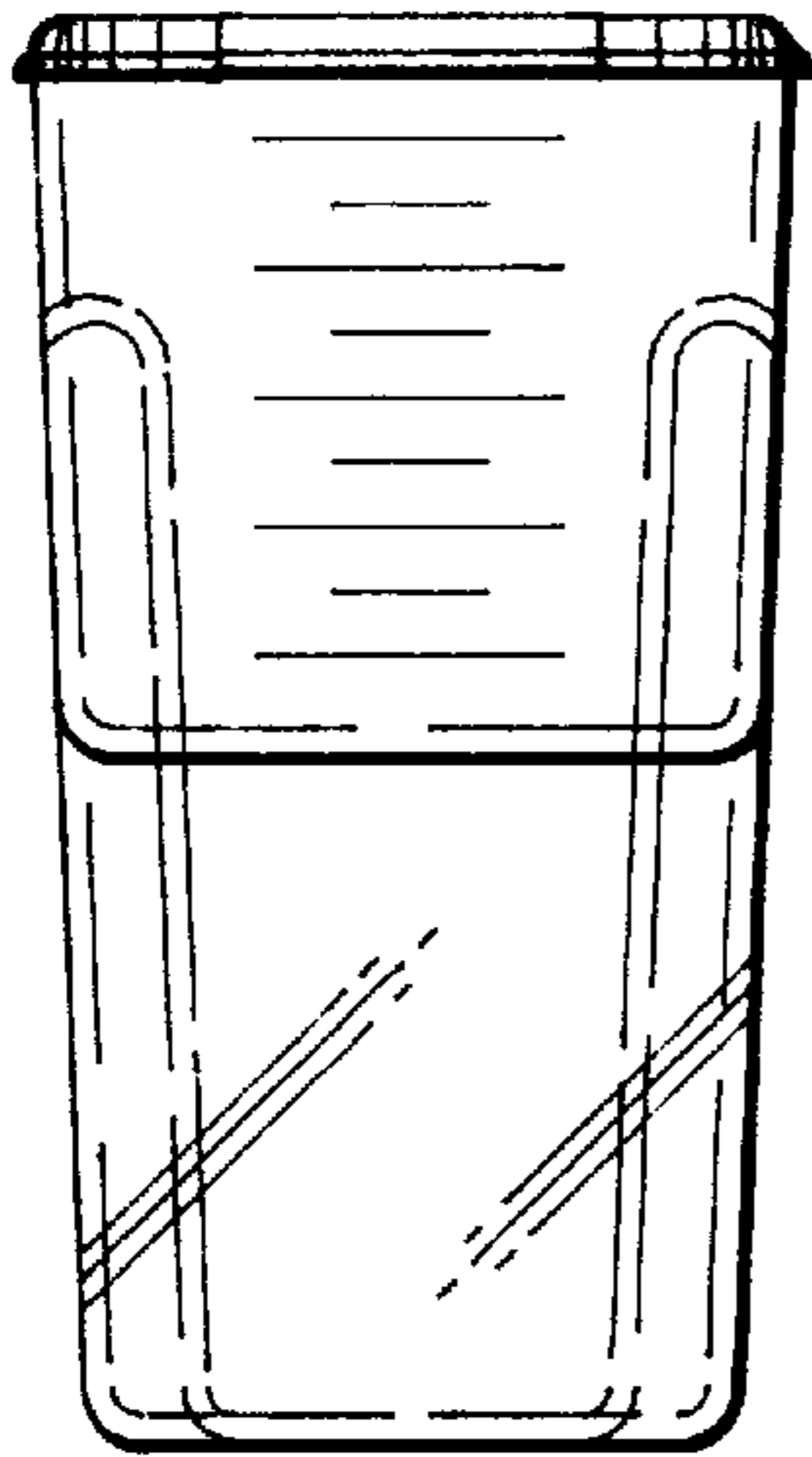


FIG. 4

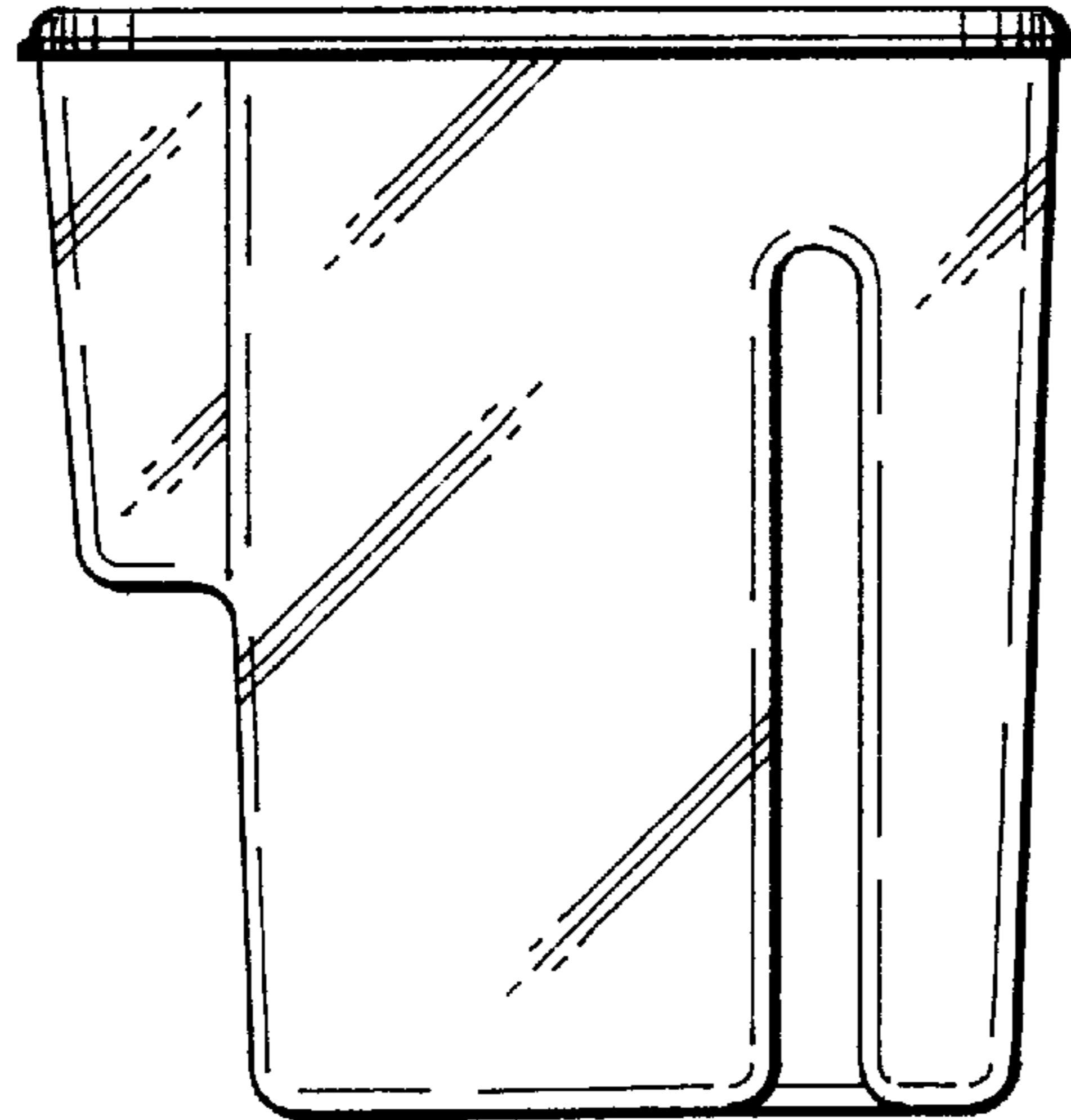


FIG. 2

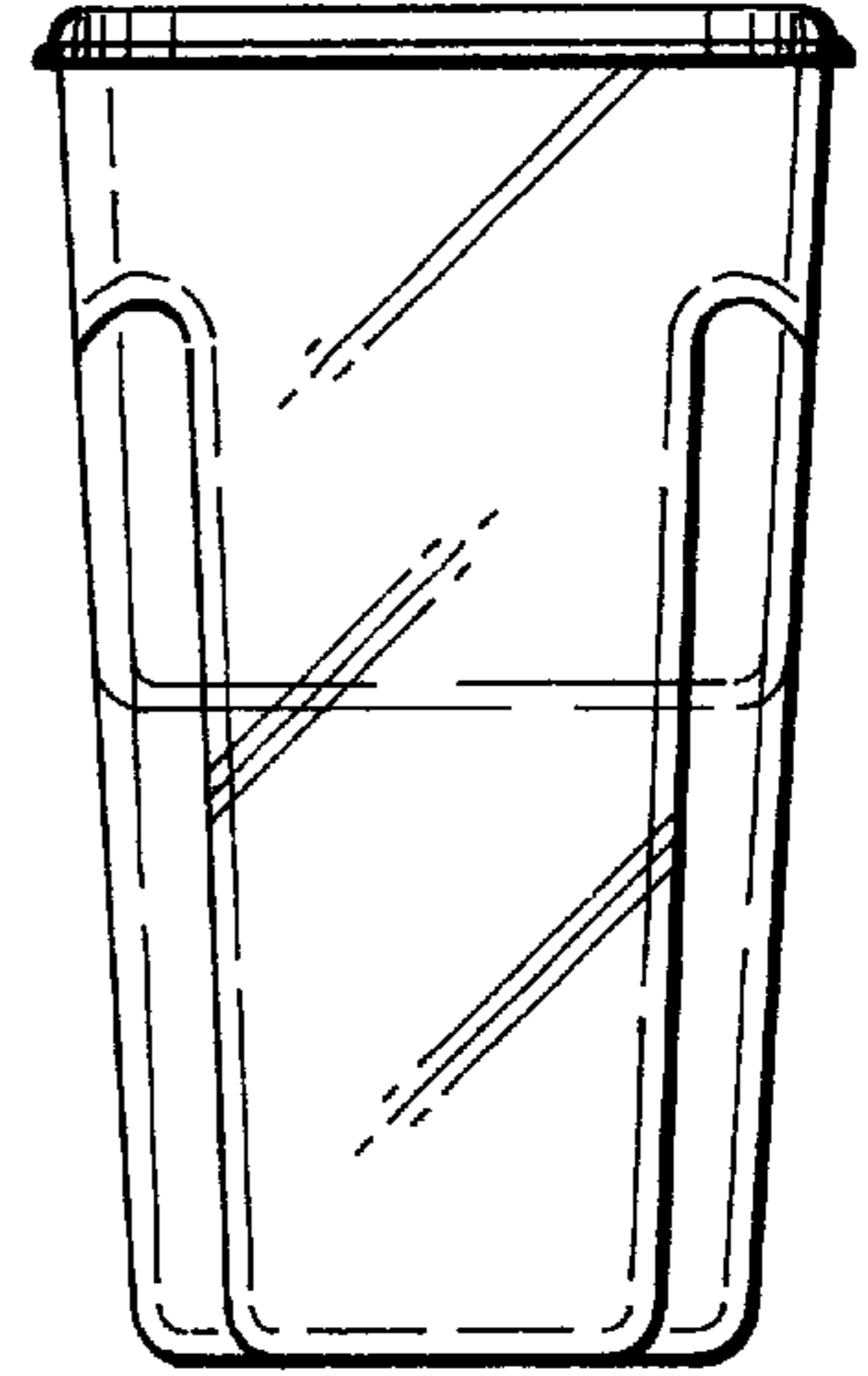


FIG. 3

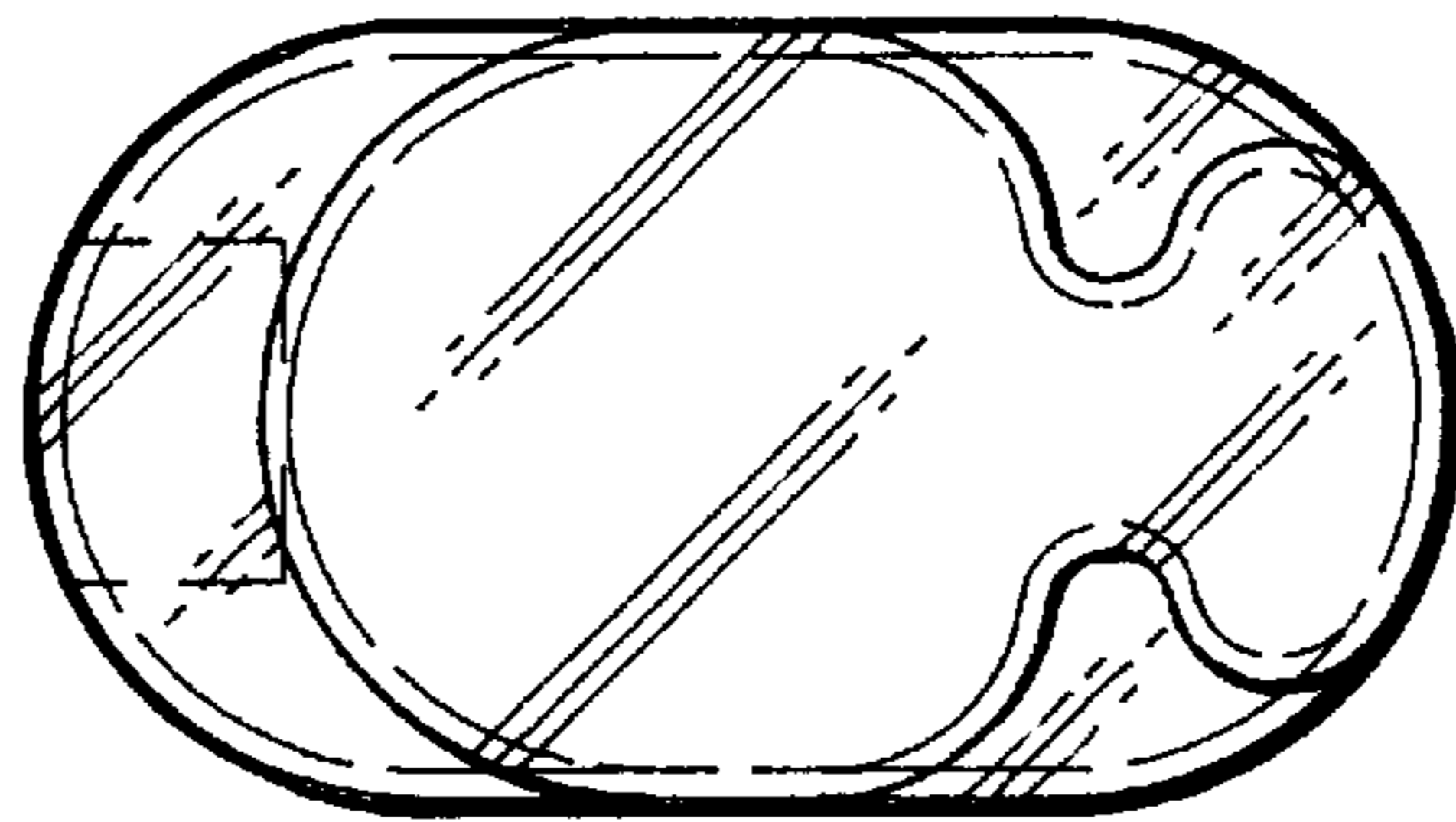


FIG. 5

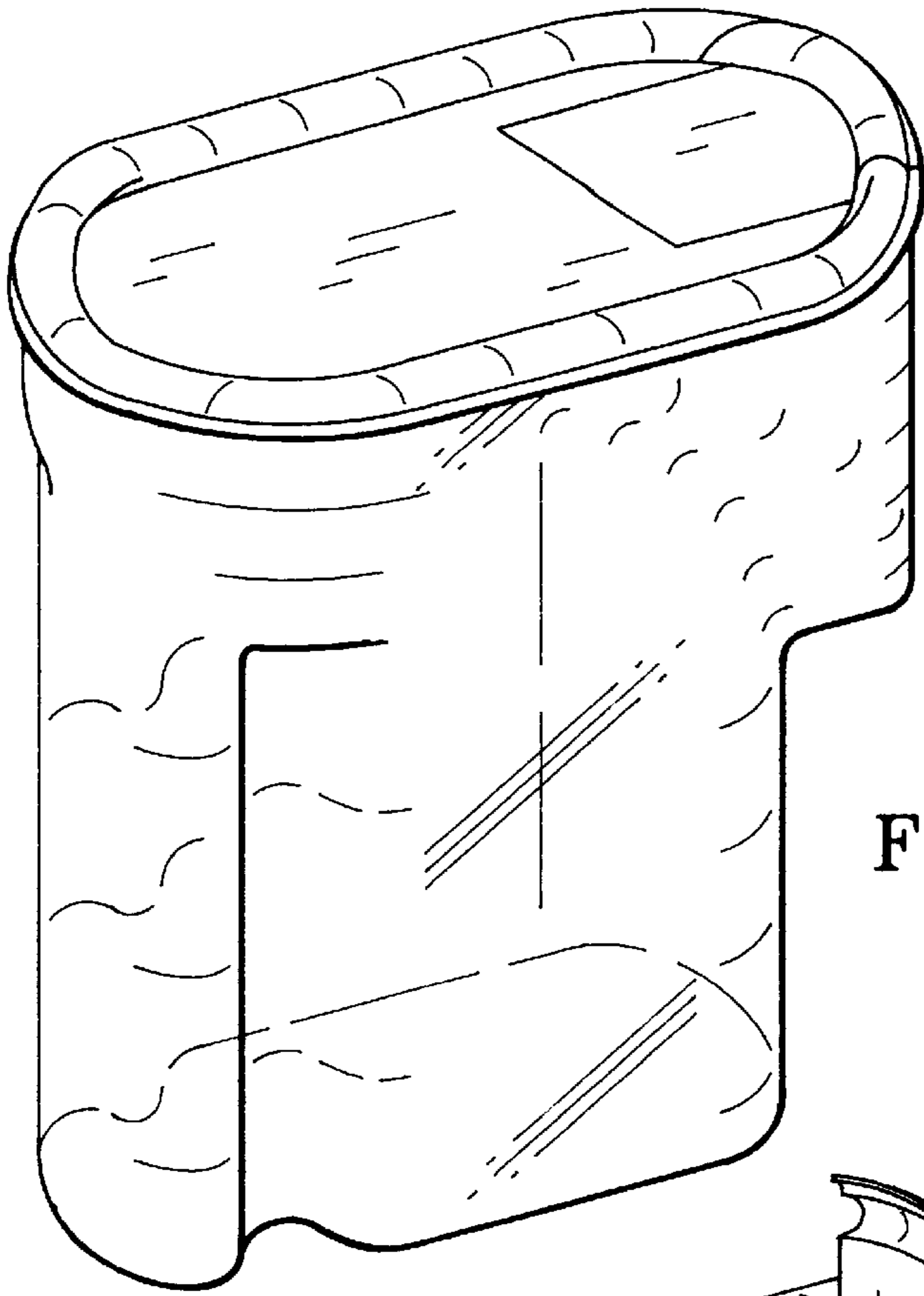


FIG. 6

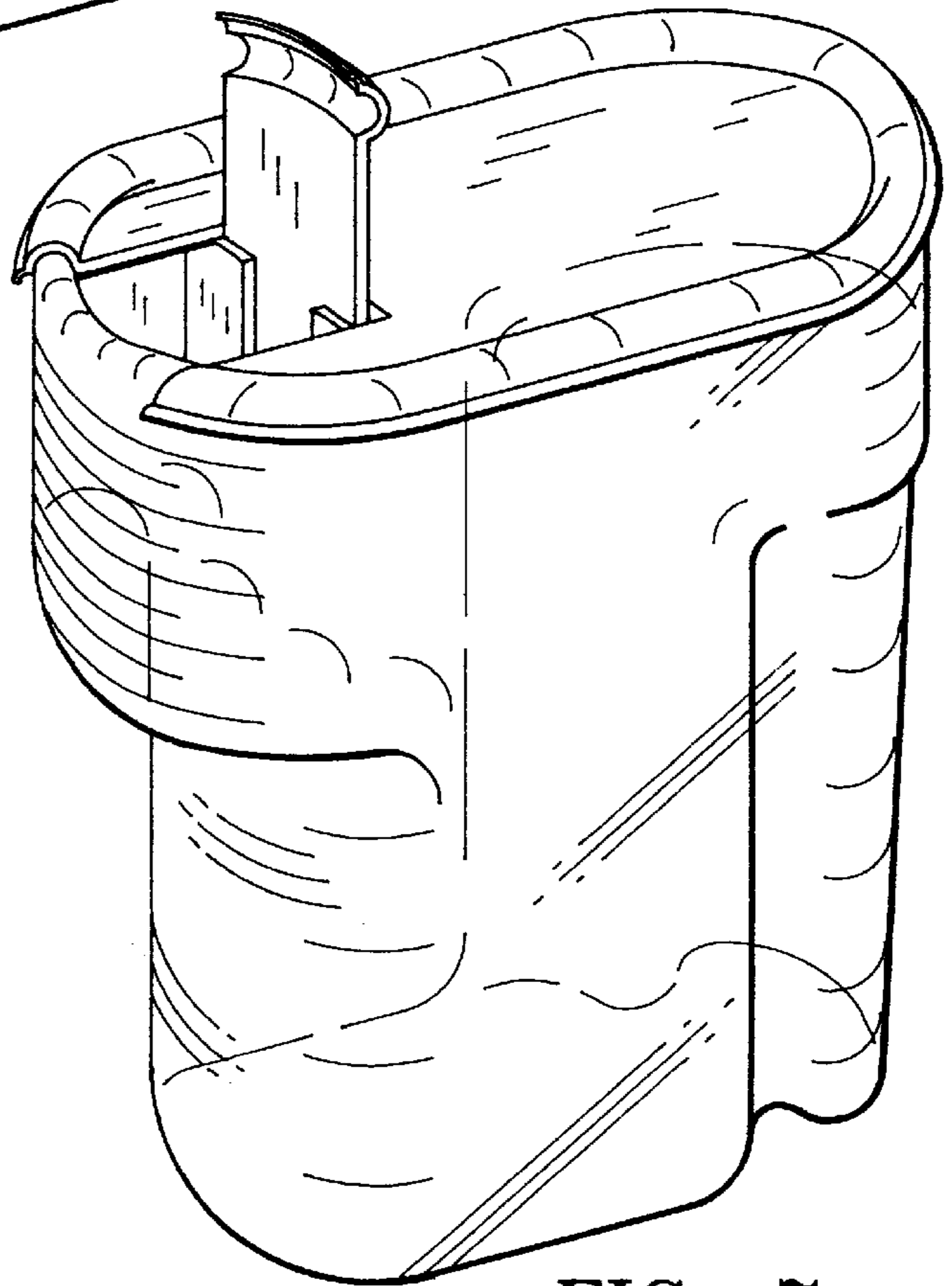


FIG. 7