



US00D418065S

**United States Patent** [19]  
**Bagnasco**

[11] **Patent Number: Des. 418,065**

[45] **Date of Patent: \*\* Dec. 28, 1999**

[54] **PREGNANCY CALCULATOR TIMEPIECE**

[76] Inventor: **John F. Bagnasco**, 2516 Wrencrest Cir., Valrico, Fla. 33594

[\*\*] Term: **14 Years**

[21] Appl. No.: **29/087,389**

[22] Filed: **May 4, 1998**

[51] **LOC (6) Cl.** ..... **10-02**

[52] **U.S. Cl.** ..... **D10/31; D10/3**

[58] **Field of Search** ..... D10/1-39, 122-132;  
368/10, 37, 27-28; D19/21, 25; 40/107;  
D18/2, 10

[56] **References Cited**

**U.S. PATENT DOCUMENTS**

268,902	12/1882	Jacquemin .	
D. 352,908	11/1994	Schneider .....	D10/32
D. 360,365	7/1995	Mejaski .....	D10/3
D. 385,806	11/1997	Defauw .....	D10/39
1,416,605	5/1922	Bulka .	
2,014,168	9/1935	Canepa .	
2,691,838	10/1954	Langman .	
2,741,082	4/1956	Elberg .	
3,370,789	2/1968	Sherman .	
3,431,722	3/1969	Haas .	
3,805,430	4/1974	Smader .....	40/113
4,972,393	11/1990	Sase et al. ....	368/28

*Primary Examiner*—Nelson C. Holtje

[57] **CLAIM**

The ornamental design for a pregnancy calculator timepiece, as shown and described.

**DESCRIPTION**

FIG. 1 is a perspective view of a pregnancy calculator timepiece showing my new design;

FIG. 2 is a front elevational view thereof;

FIG. 3 is a right side elevational view thereof;

FIG. 4 is a left side elevational view thereof;

FIG. 5 is a bottom plan view, the top plan view being a mirror image with the knob on the opposite side;

FIG. 6 is a rear elevational view thereof;

FIG. 7 is a front elevational view of a pregnancy calculator timepiece, showing a second embodiment of my new design;

FIG. 8 is a front elevational view of a pregnancy calculator timepiece, showing a third embodiment of my new design;

FIG. 9 is a front elevational view of a pregnancy calculator timepiece, showing a fourth embodiment of my new design;

FIG. 10 is a left side elevational view of the fourth embodiment of my new design;

FIG. 11 is a bottom plan view of the fourth embodiment of my new design, the top plan view being a mirror image with the knob on the opposite side;

FIG. 12 is a right side elevational view of the fourth embodiment of my new design;

FIG. 13 is a rear elevational view of the fourth embodiment of my new design;

FIG. 14 is a front elevational view of a pregnancy calculator timepiece, showing a fifth embodiment of my new design;

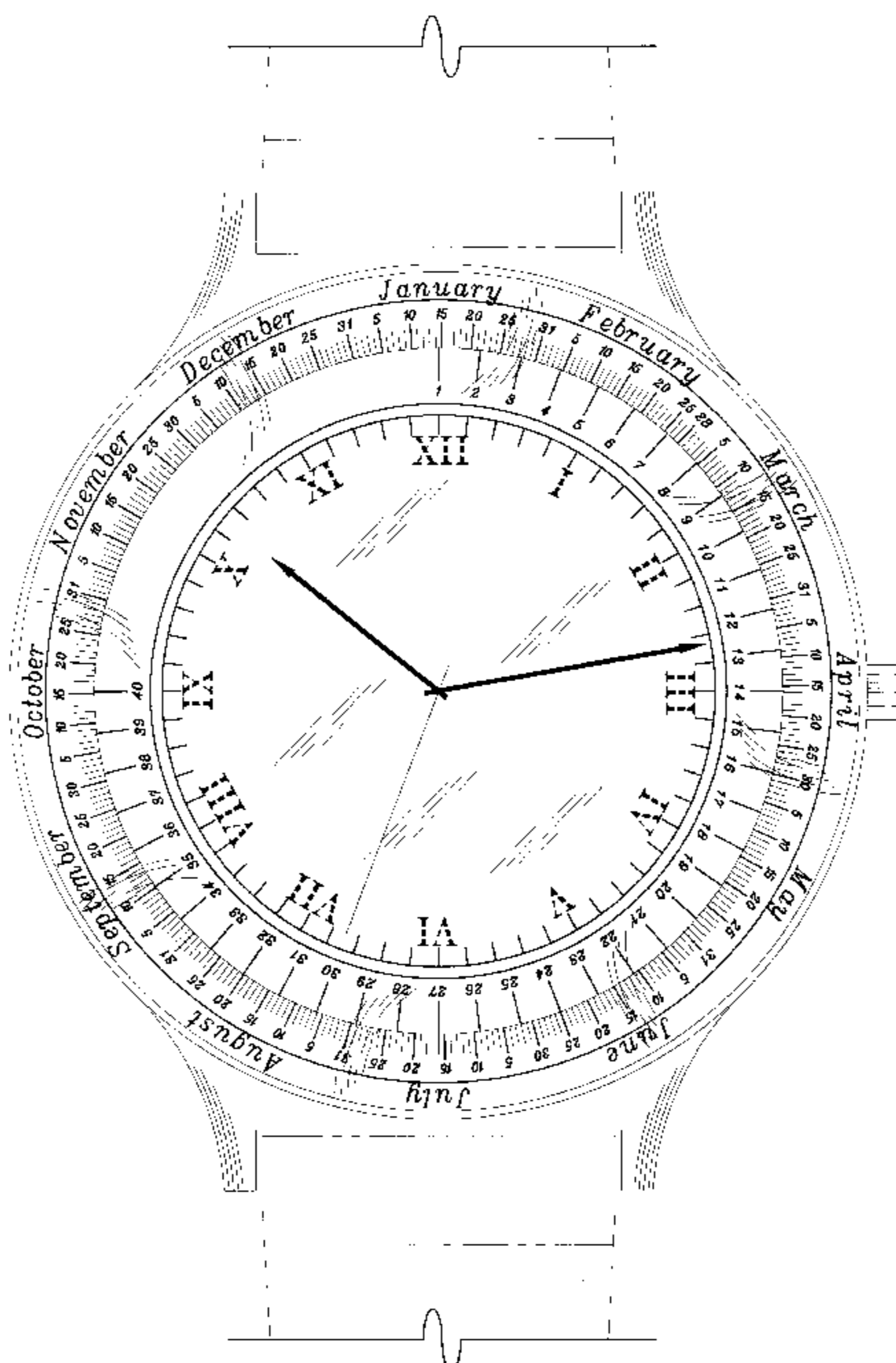
FIG. 15 is a bottom plan view of the fifth embodiment of my new design;

FIG. 16 is a top plan view of the fifth embodiment of my new design;

FIG. 17 is a left side elevational view of the fifth embodiment of my new design, the right side elevational view being a mirror image with the knob on the opposite side; and,

FIG. 18 is a rear elevational view of the fifth embodiment of my new design.

**1 Claim, 12 Drawing Sheets**



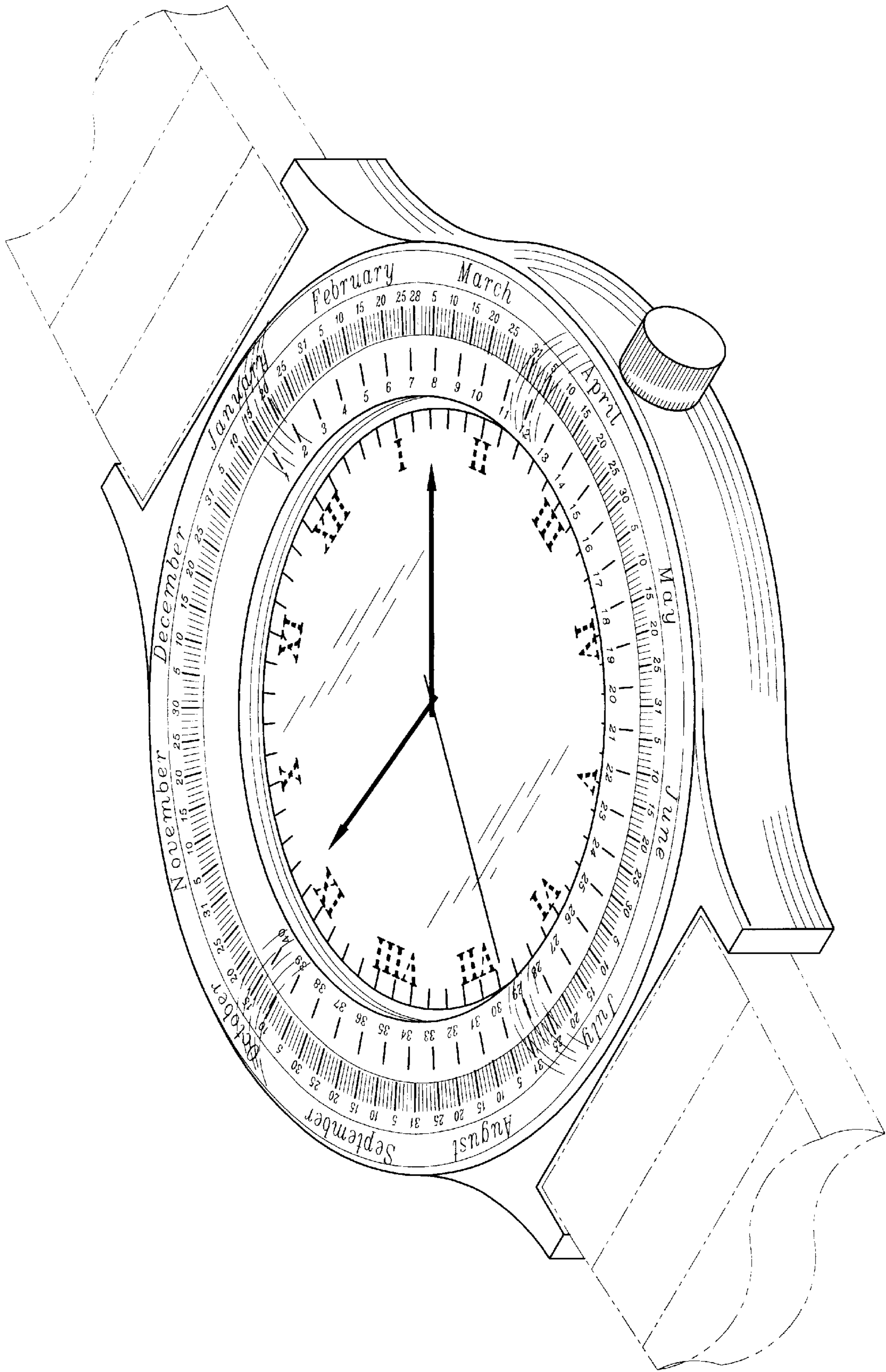


Fig. 1

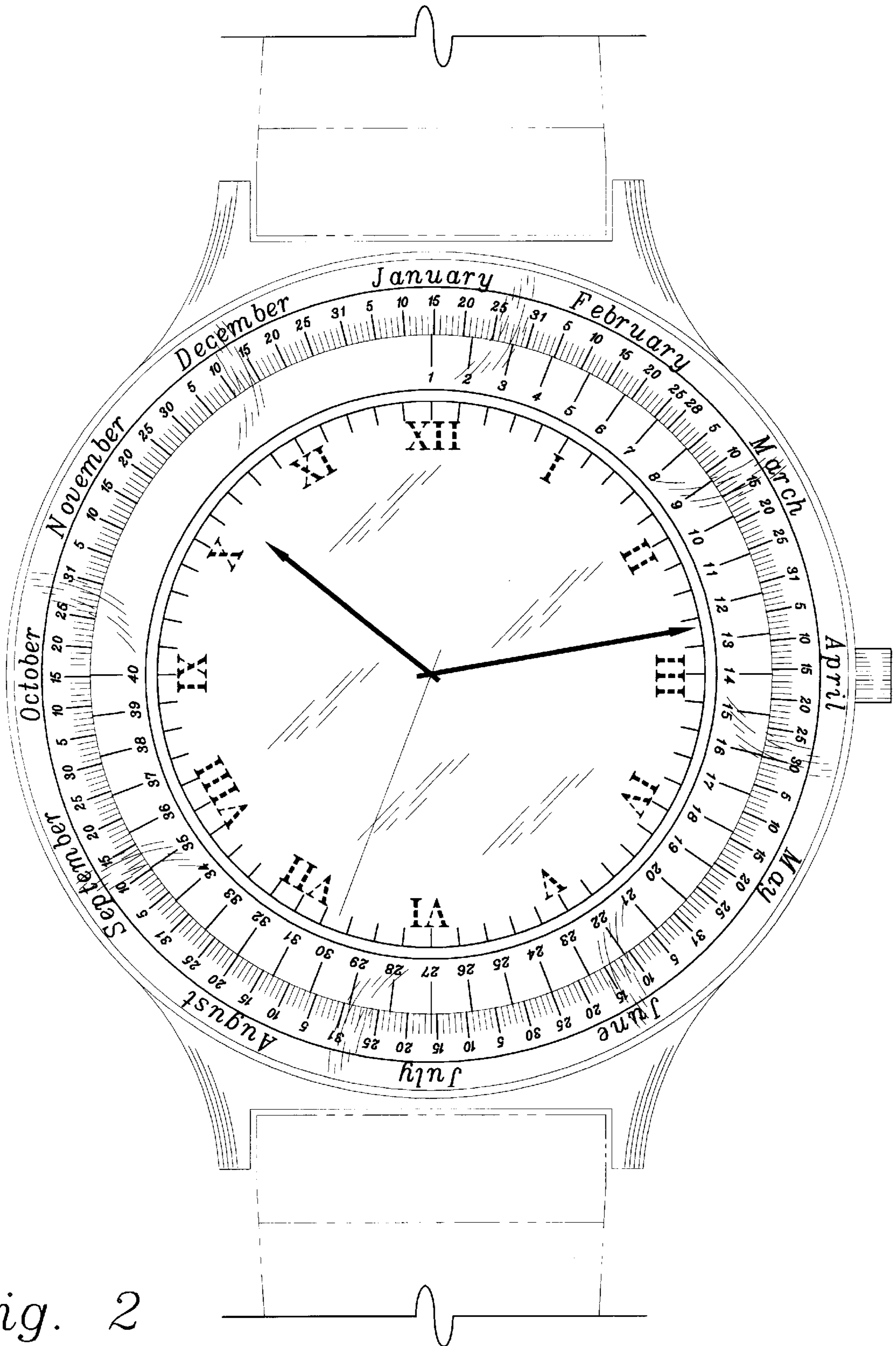
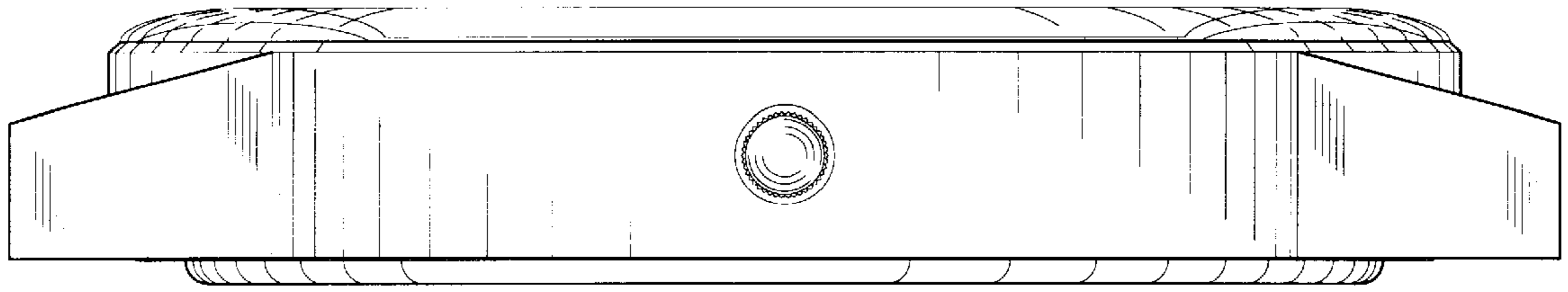
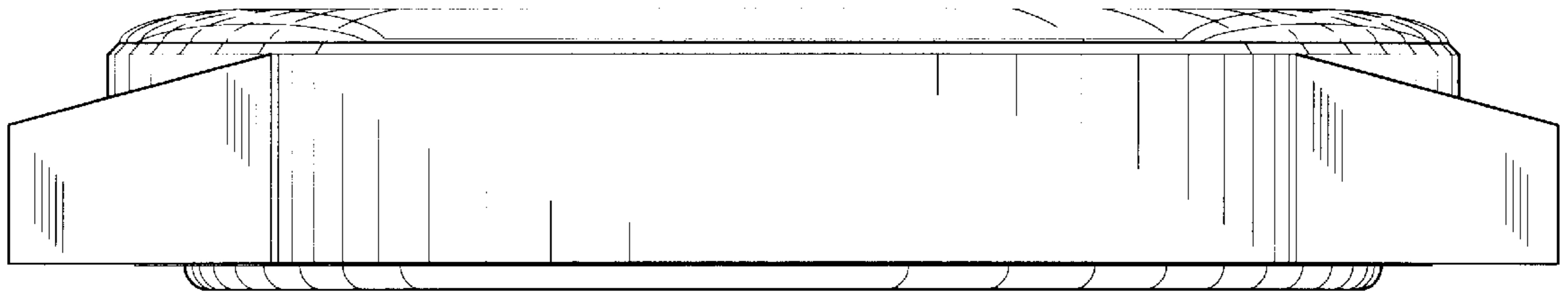


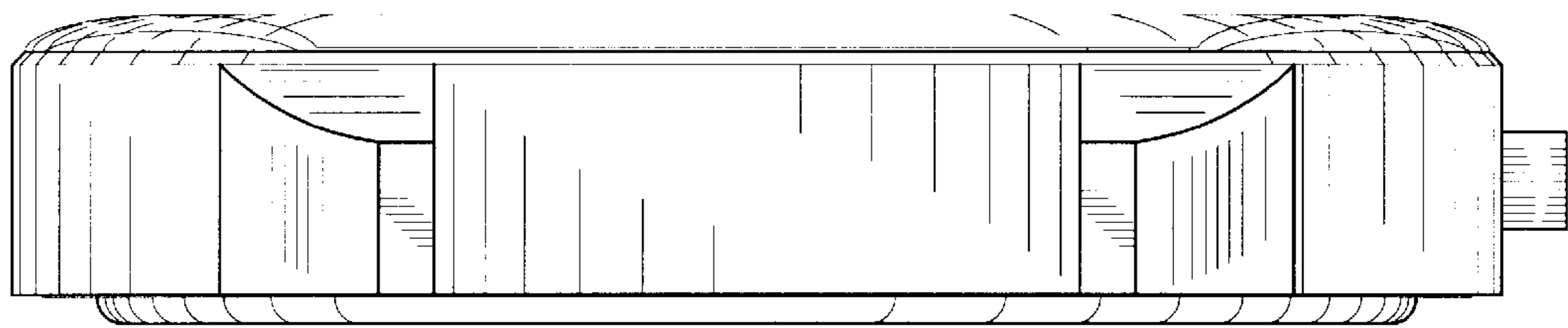
Fig. 2



*Fig. 3*



*Fig. 4*



*Fig. 5*

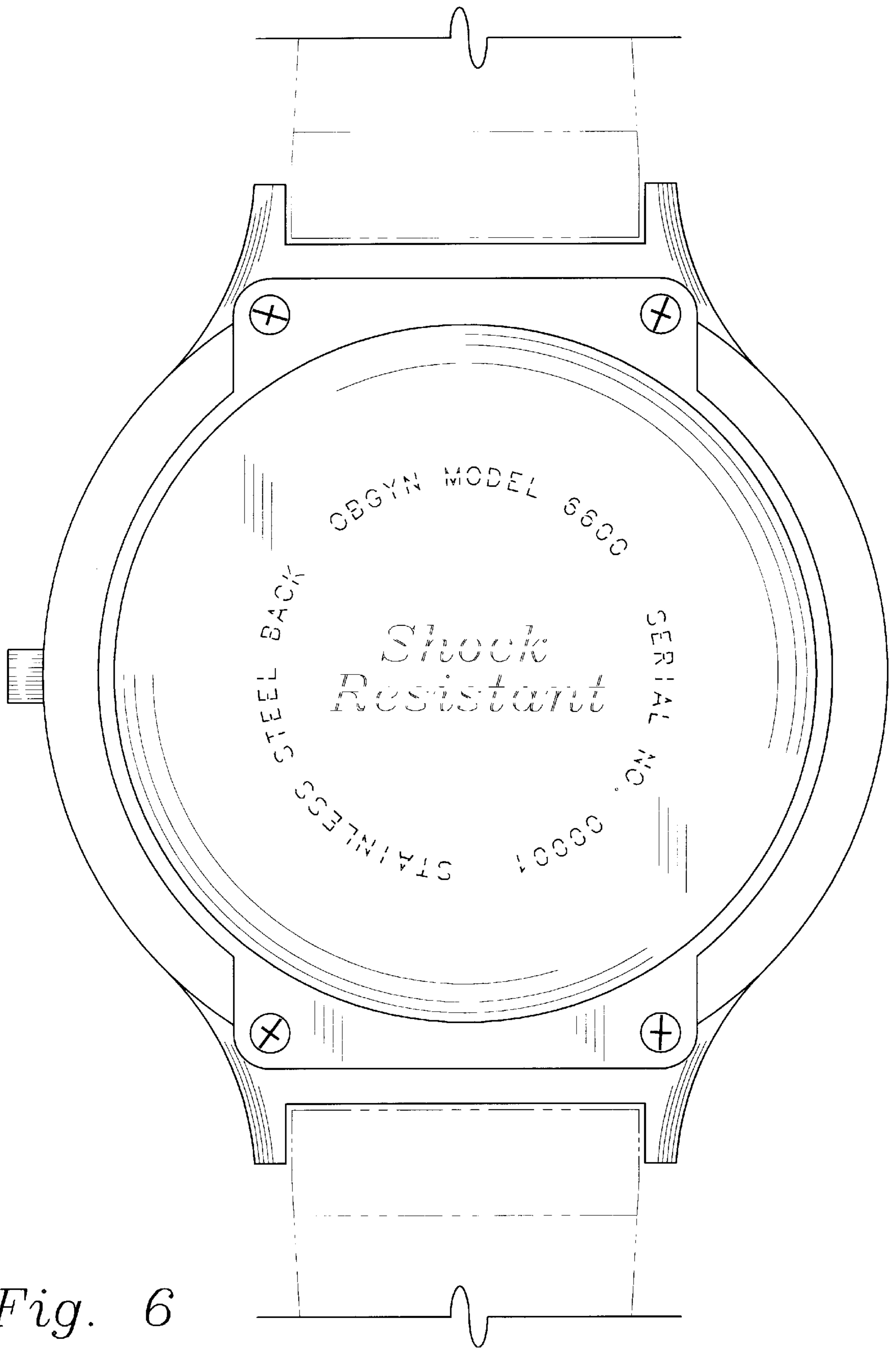


Fig. 6

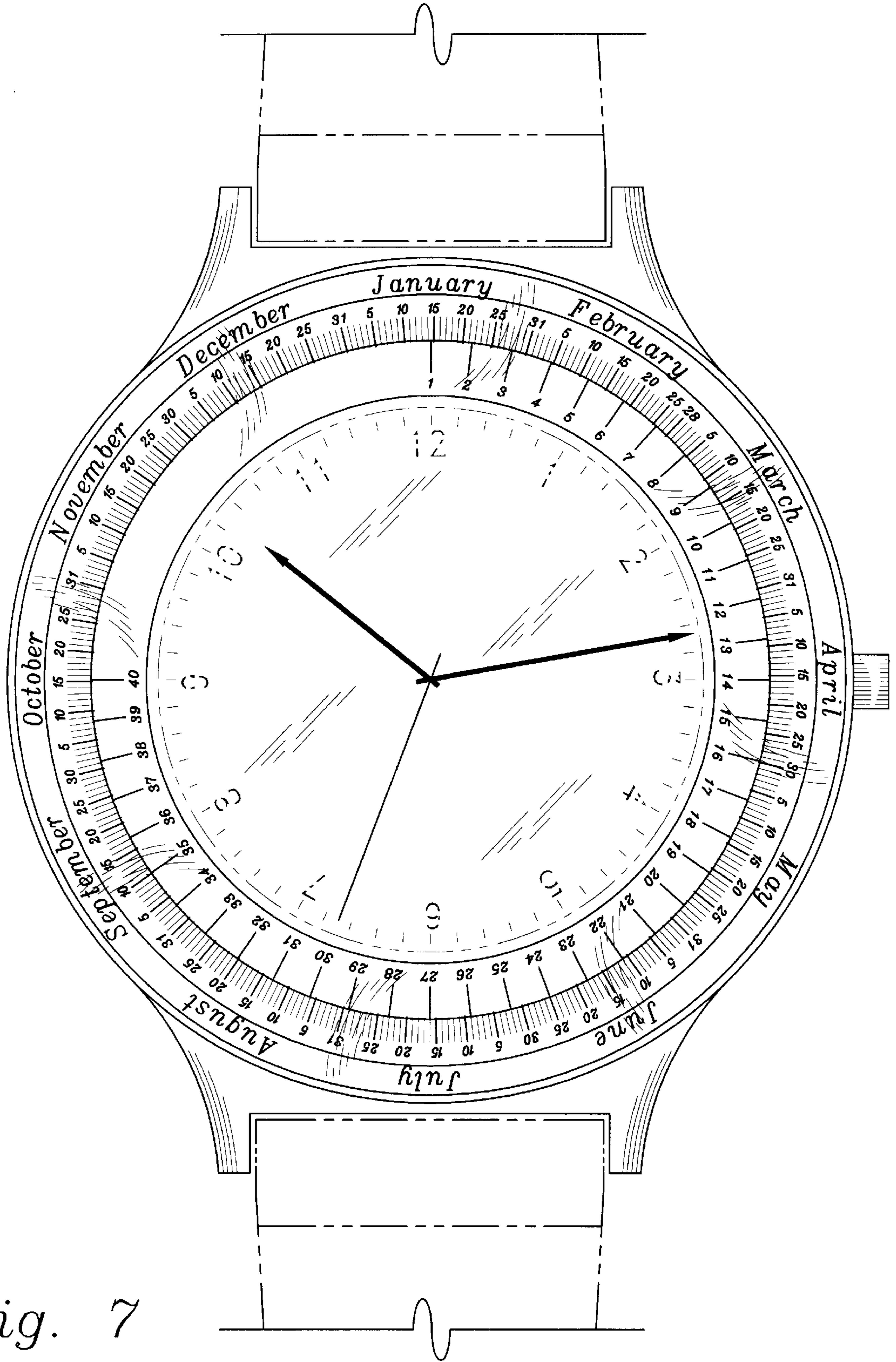


Fig. 7

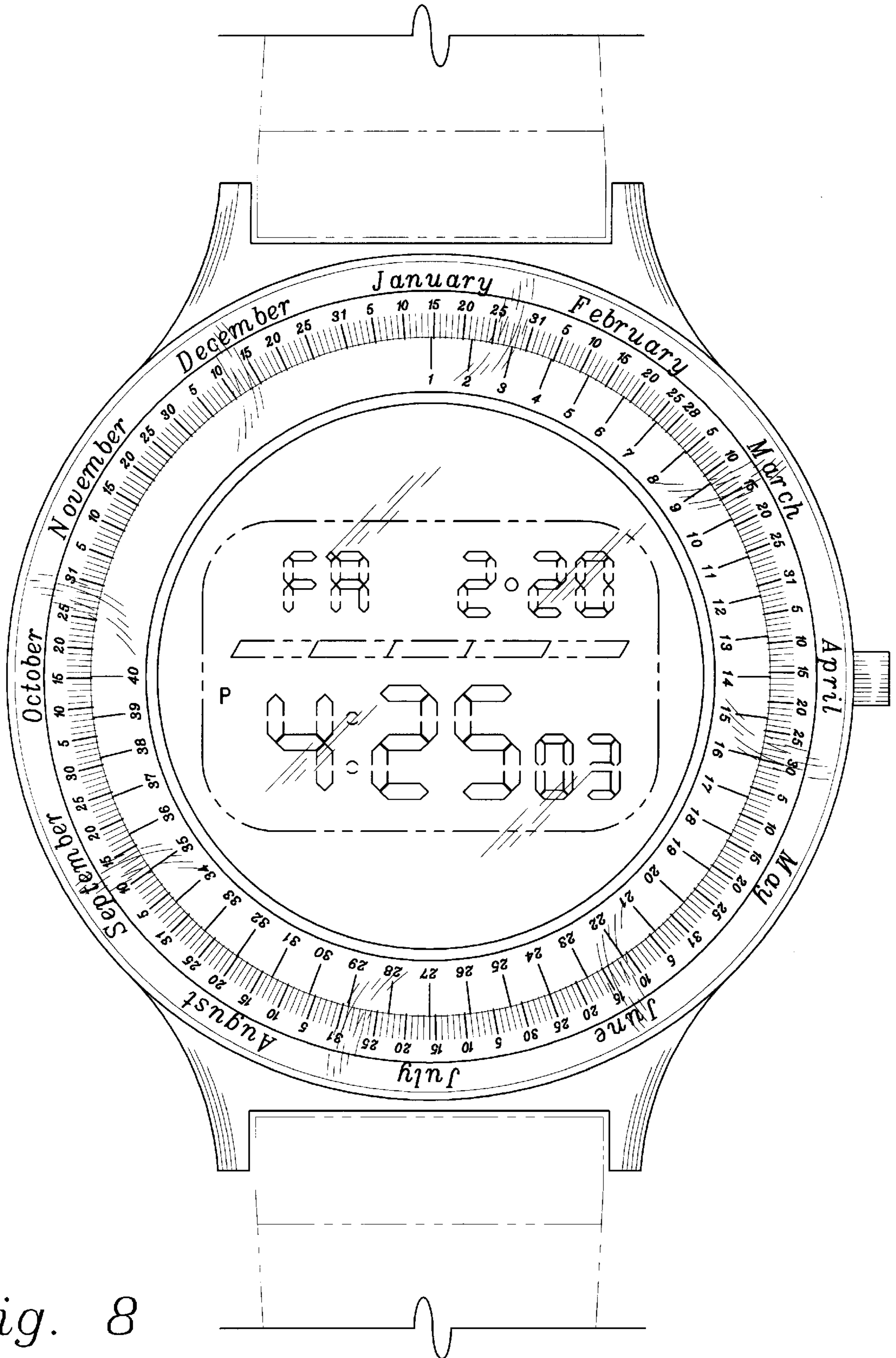


Fig. 8

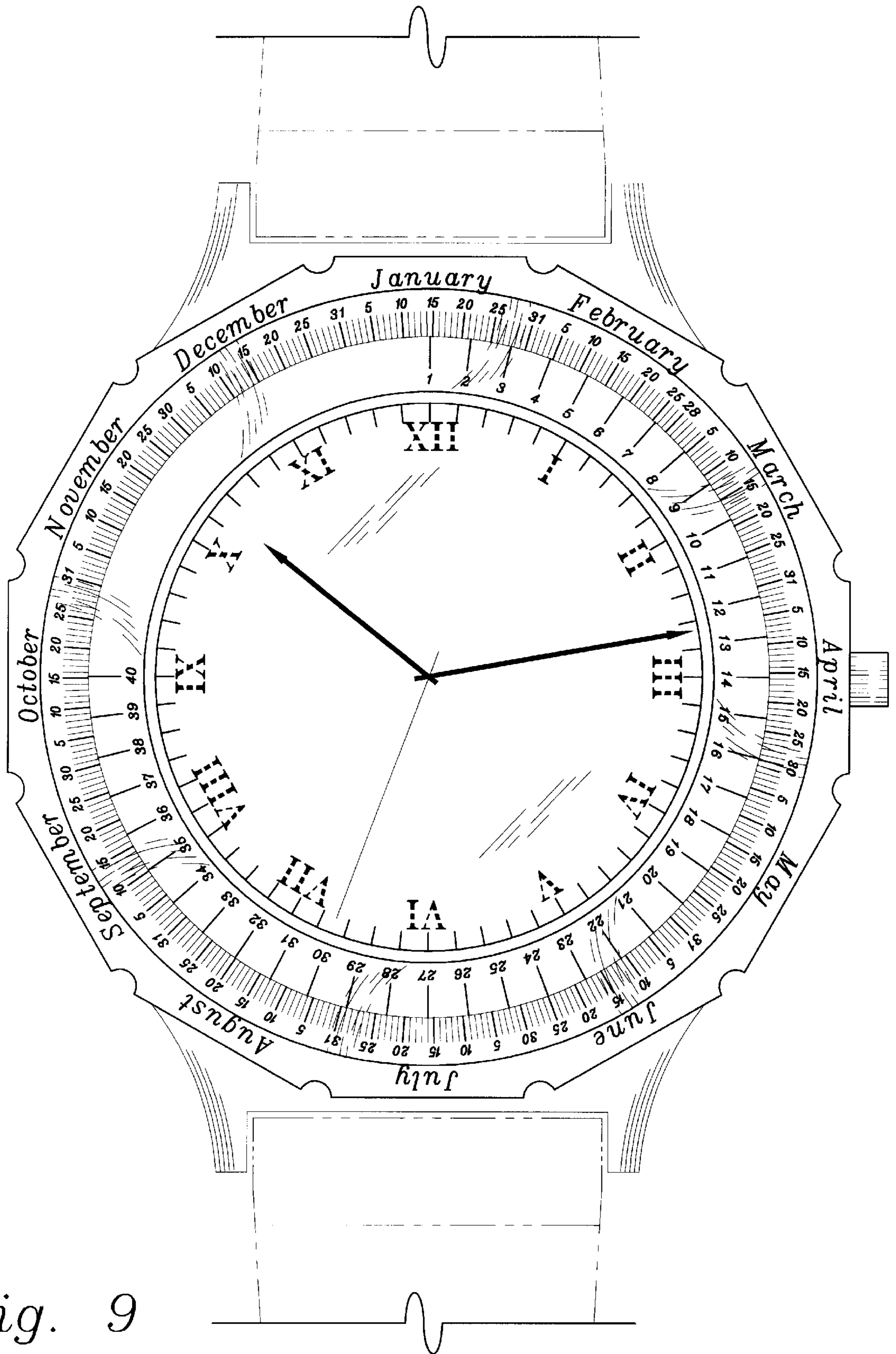
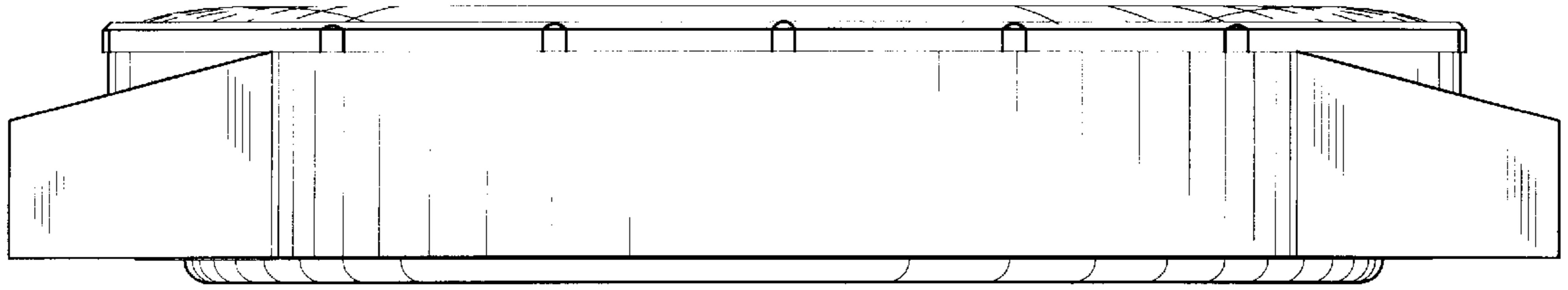
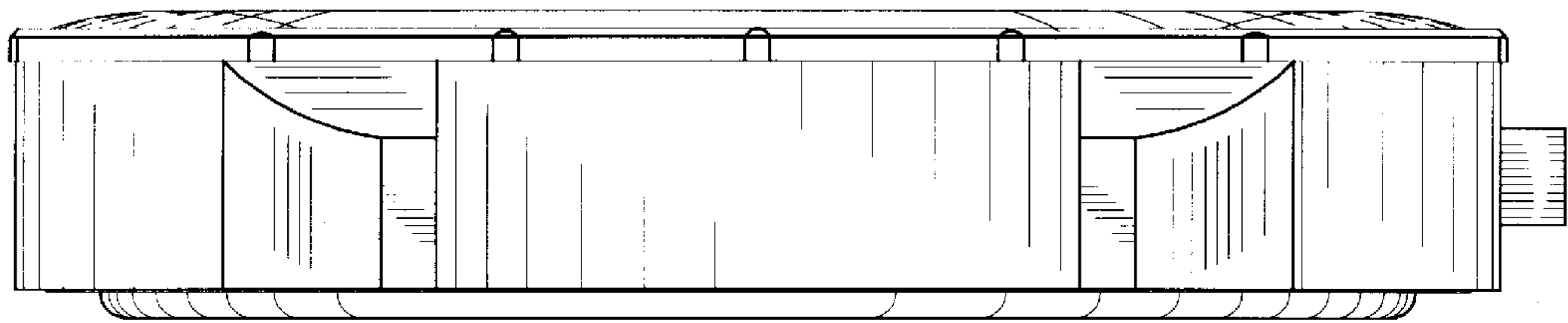


Fig. 9

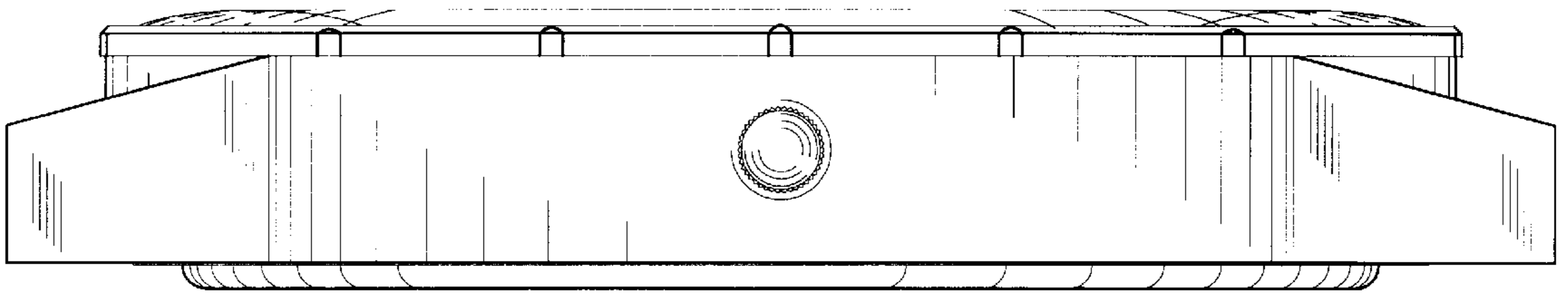




*Fig. 10*



*Fig. 11*



*Fig. 12*

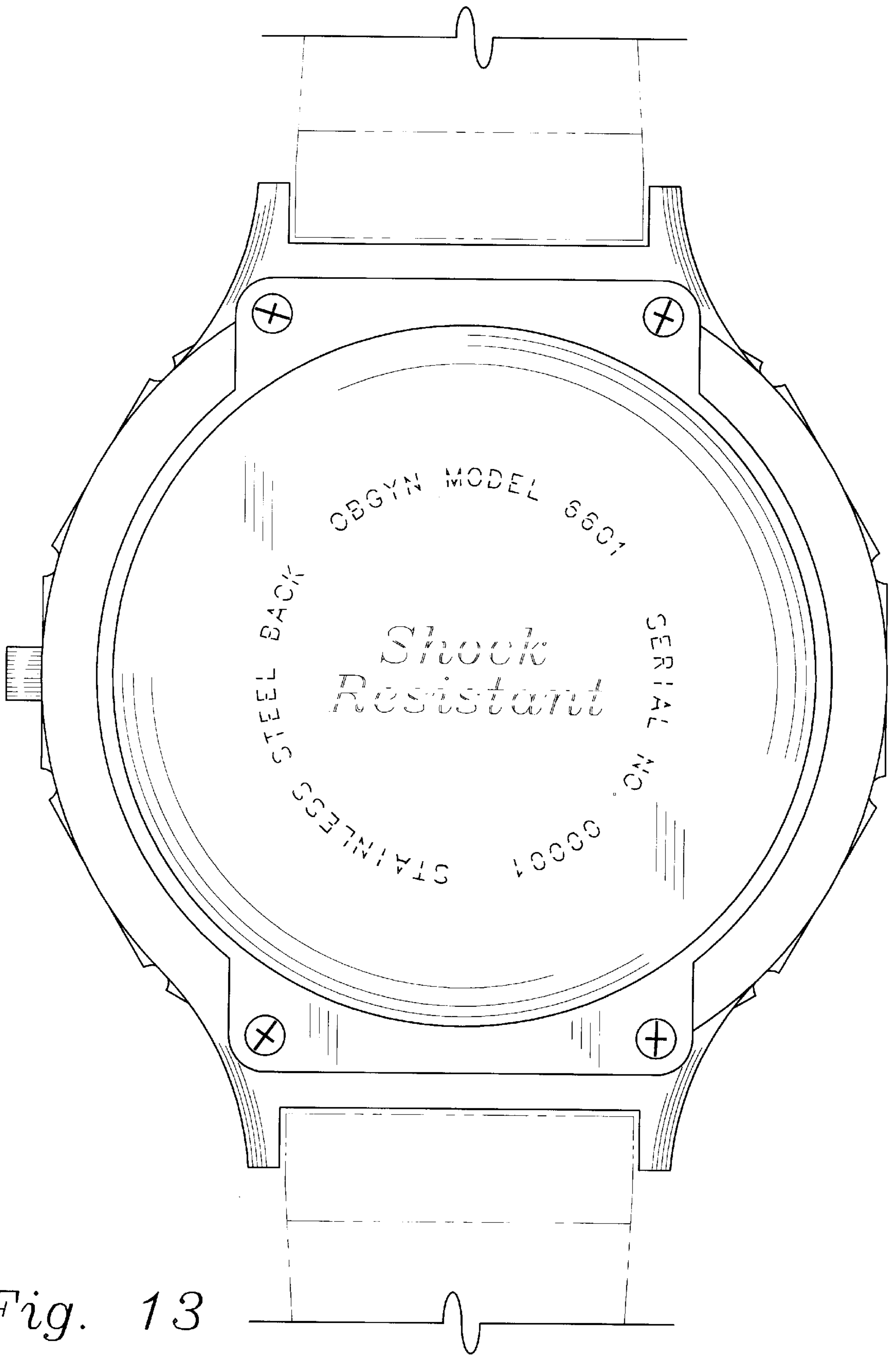


Fig. 13

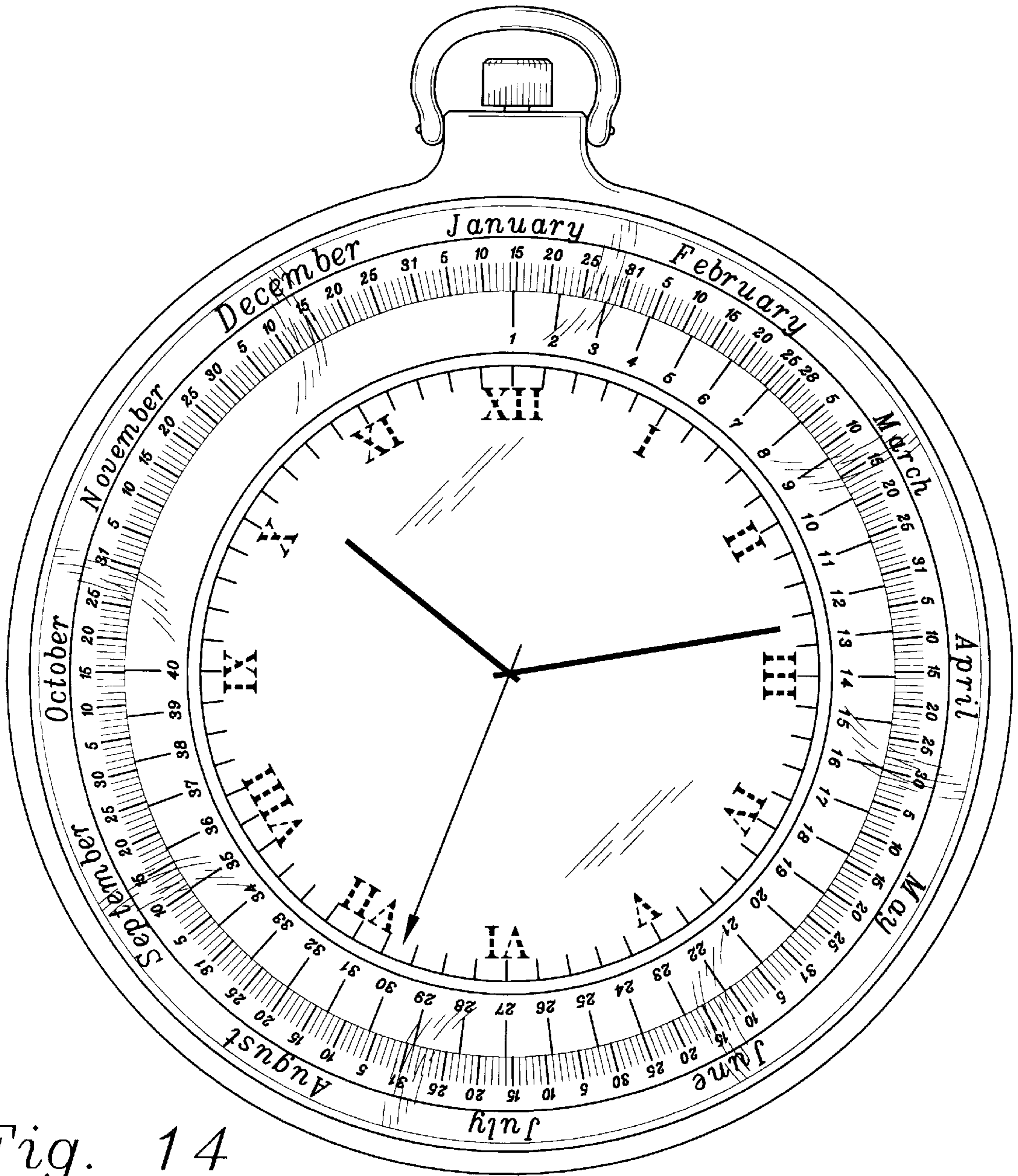
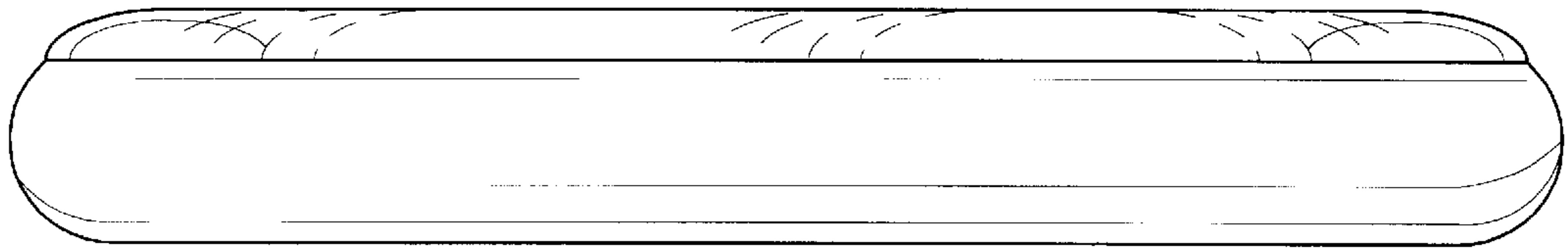
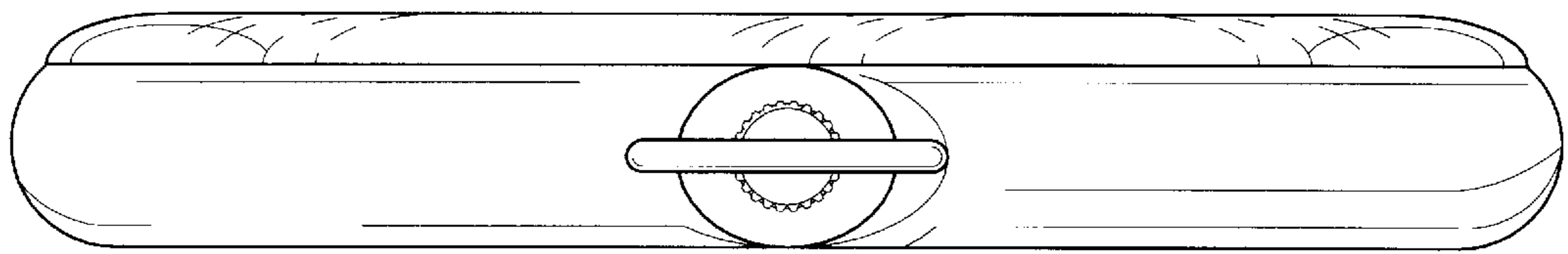


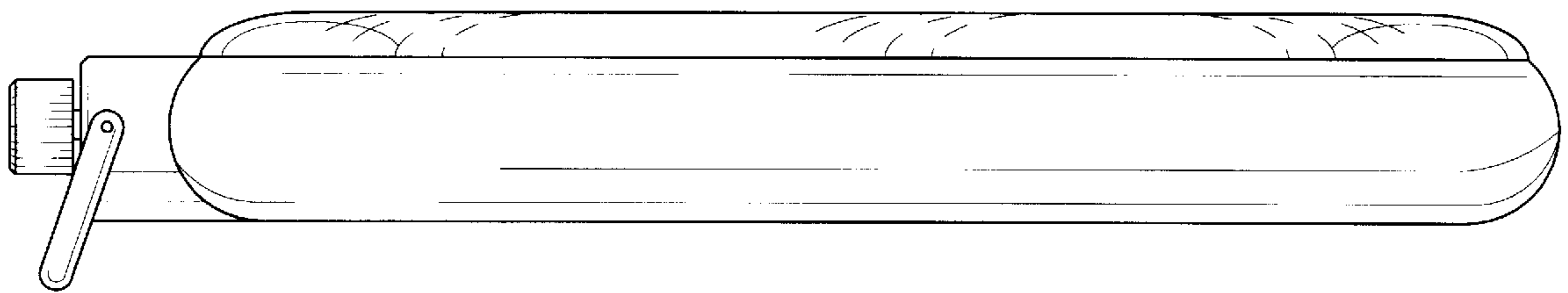
Fig. 14



*Fig. 15*



*Fig. 16*



*Fig. 17*

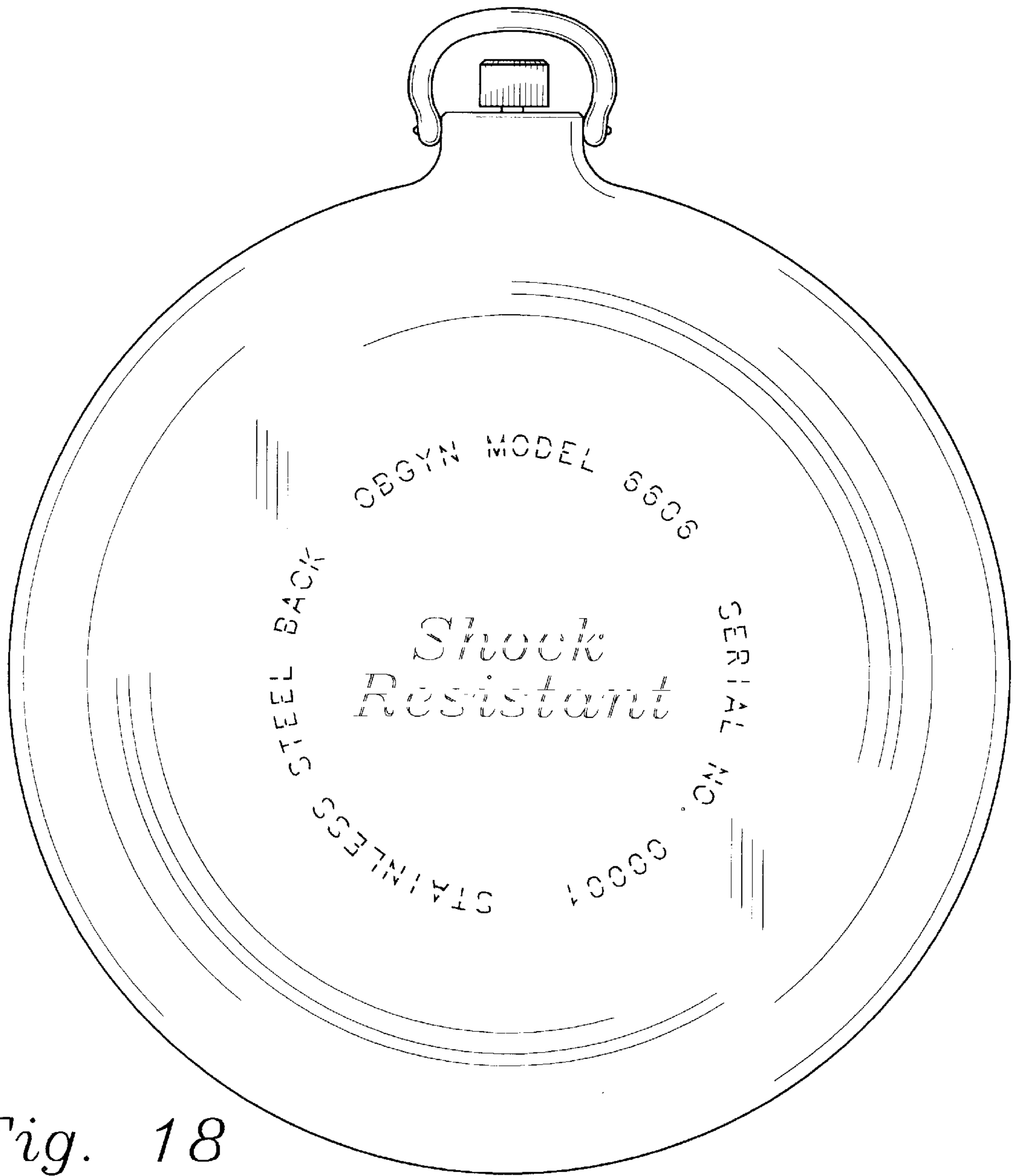


Fig. 18