



US00D418060S

United States Patent [19]

De Villiers

[11] Patent Number: **Des. 418,060**

[45] Date of Patent: **** Dec. 28, 1999**

[54] **LID FOR A DISPOSABLE CUP**

[75] Inventor: **Luis De Villiers**, Miami, Fla.

[73] Assignee: **Latin Business Systems Inc.**, Miami, Fla.

[**] Term: **14 Years**

[21] Appl. No.: **29/092,777**

[22] Filed: **Aug. 27, 1998**

[51] **LOC (6) Cl.** **09-07**

[52] **U.S. Cl.** **D9/443; D9/454**

[58] **Field of Search** D9/435, 436, 443, D9/454; D7/391, 392.1; 215/254, 316, 317, 320, 321; 220/270, 703, 780, 793, 711

[56] **References Cited**

U.S. PATENT DOCUMENTS

D. 317,411	6/1991	Holmes	D9/435
D. 344,209	2/1994	Cousins et al.	D7/392.1
D. 357,863	5/1995	Picozza	D9/436
D. 360,105	7/1995	Doxey	D7/391

D. 406,396	3/1999	Granwehr	D28/82 X
3,044,610	7/1962	Tupper	220/270
3,401,825	9/1968	Weiss	220/793 X
3,421,681	1/1969	Frank	215/254
5,538,157	7/1996	Proshan	220/711 X
5,845,807	12/1998	De Villiers	220/703

Primary Examiner—Cathron B. Matta
Attorney, Agent, or Firm—Robert M. Downey, PA

[57] **CLAIM**

The ornamental design for a lid for a disposable cup, as shown and described.

DESCRIPTION

FIG. 1 is a top perspective view of the lid for a disposable cup showing my new design; FIG. 2 is a top plan view thereof; FIG. 3 is a bottom plan view thereof; FIG. 4 is a front elevational view thereof; FIG. 5 is a rear elevational view thereof; and, FIG. 6 is a right side elevational view thereof, the left side elevational view being identical thereto.

1 Claim, 2 Drawing Sheets

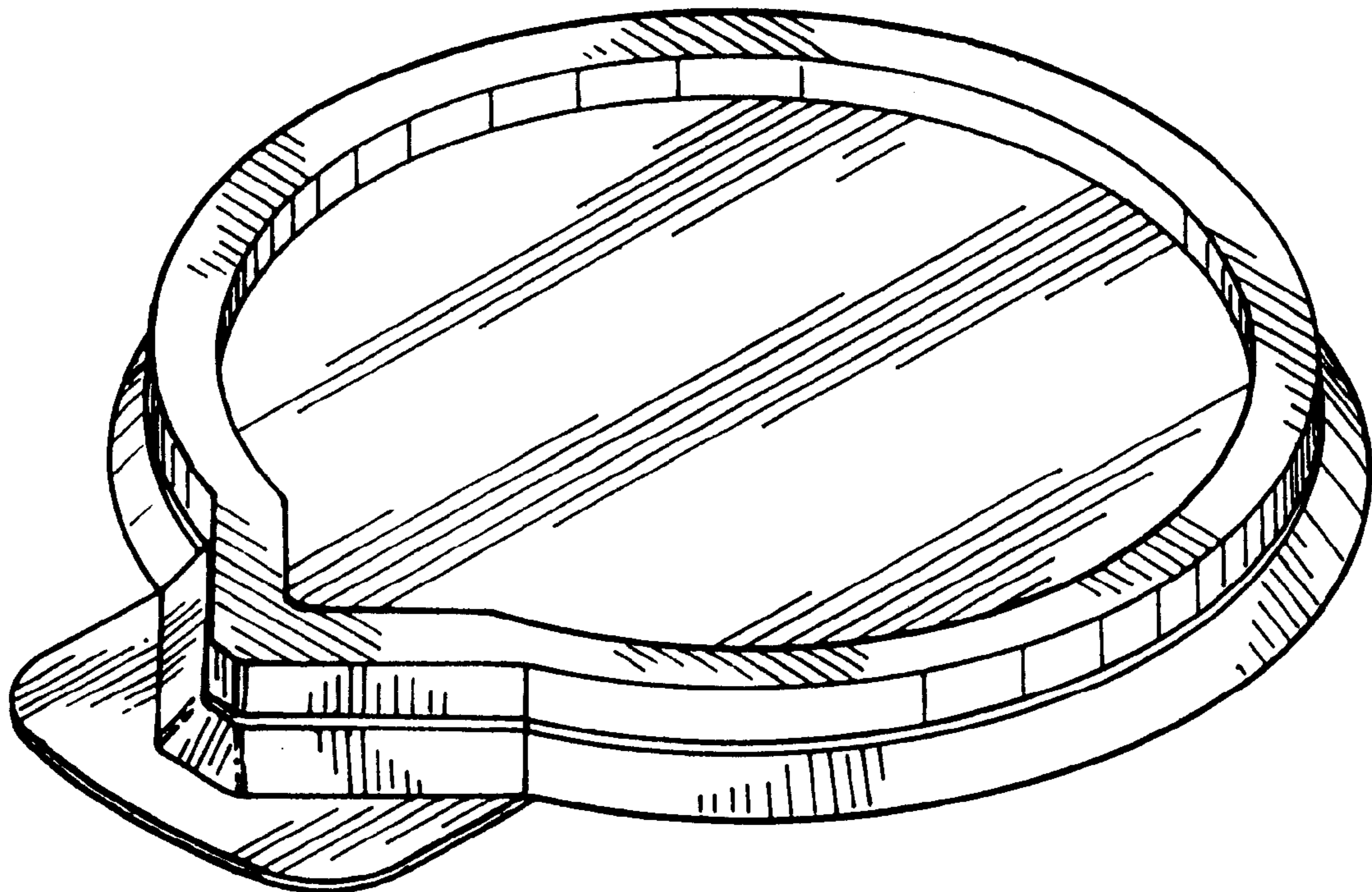


FIG. 1

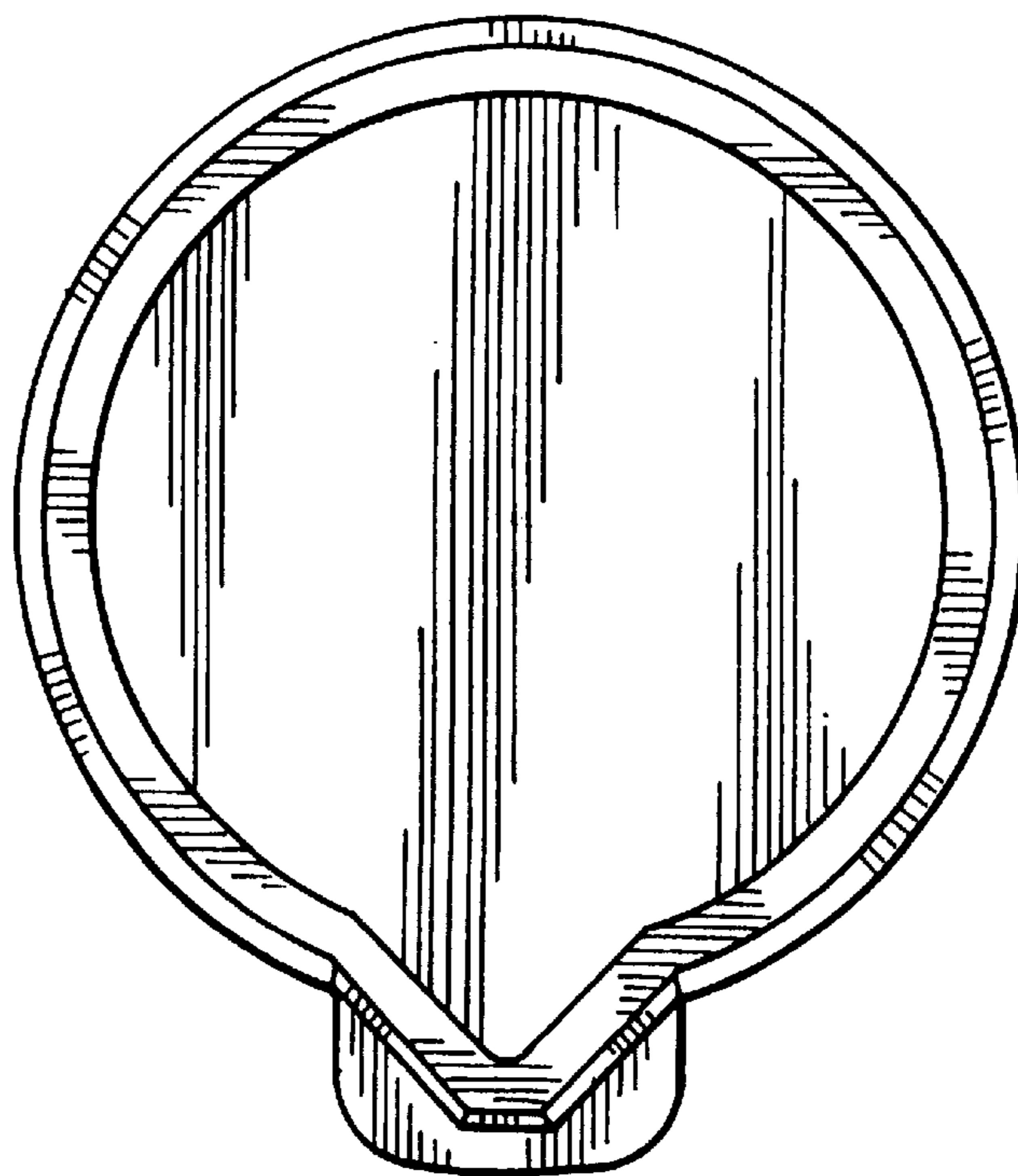
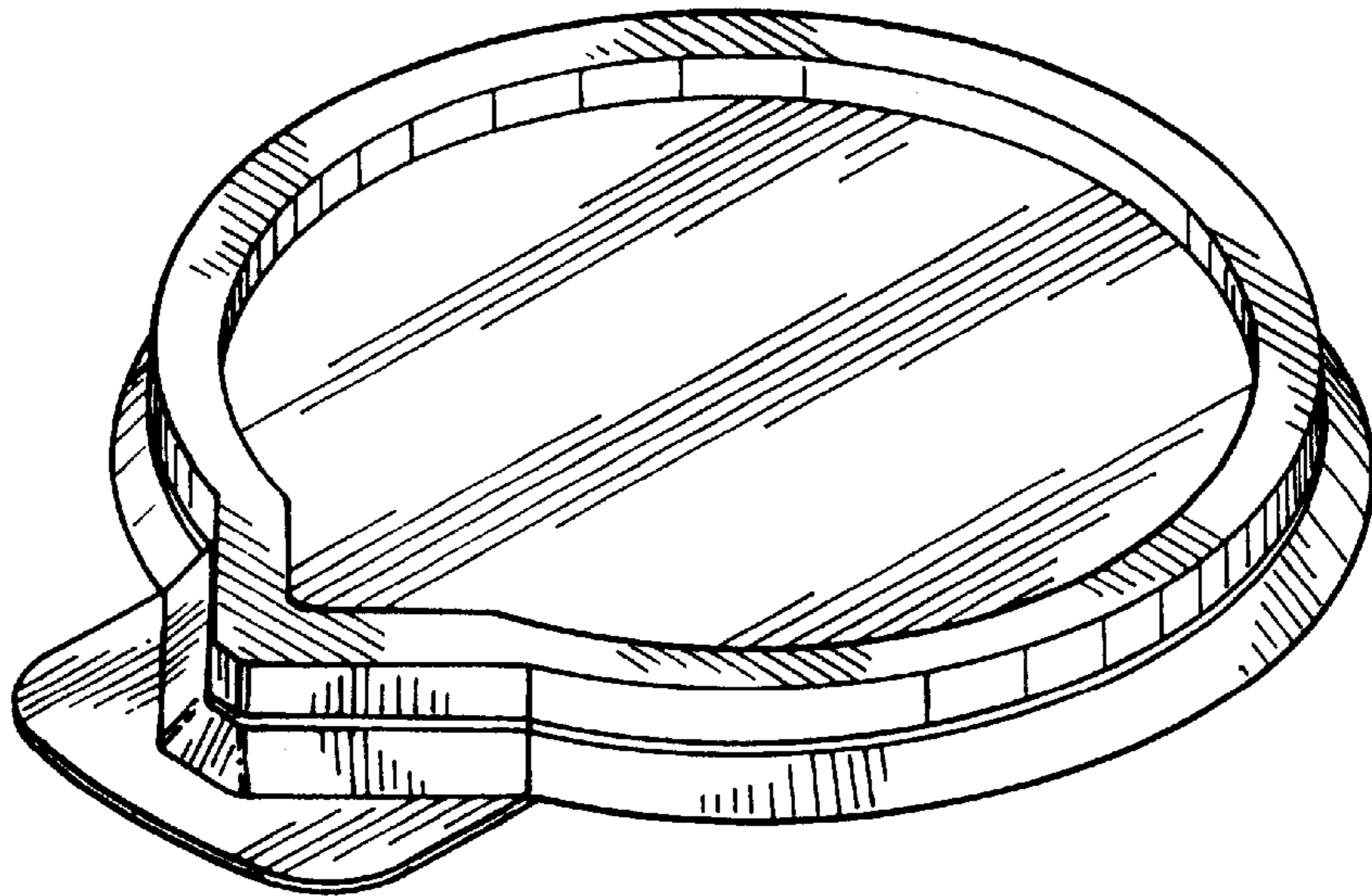


FIG. 2

FIG. 3

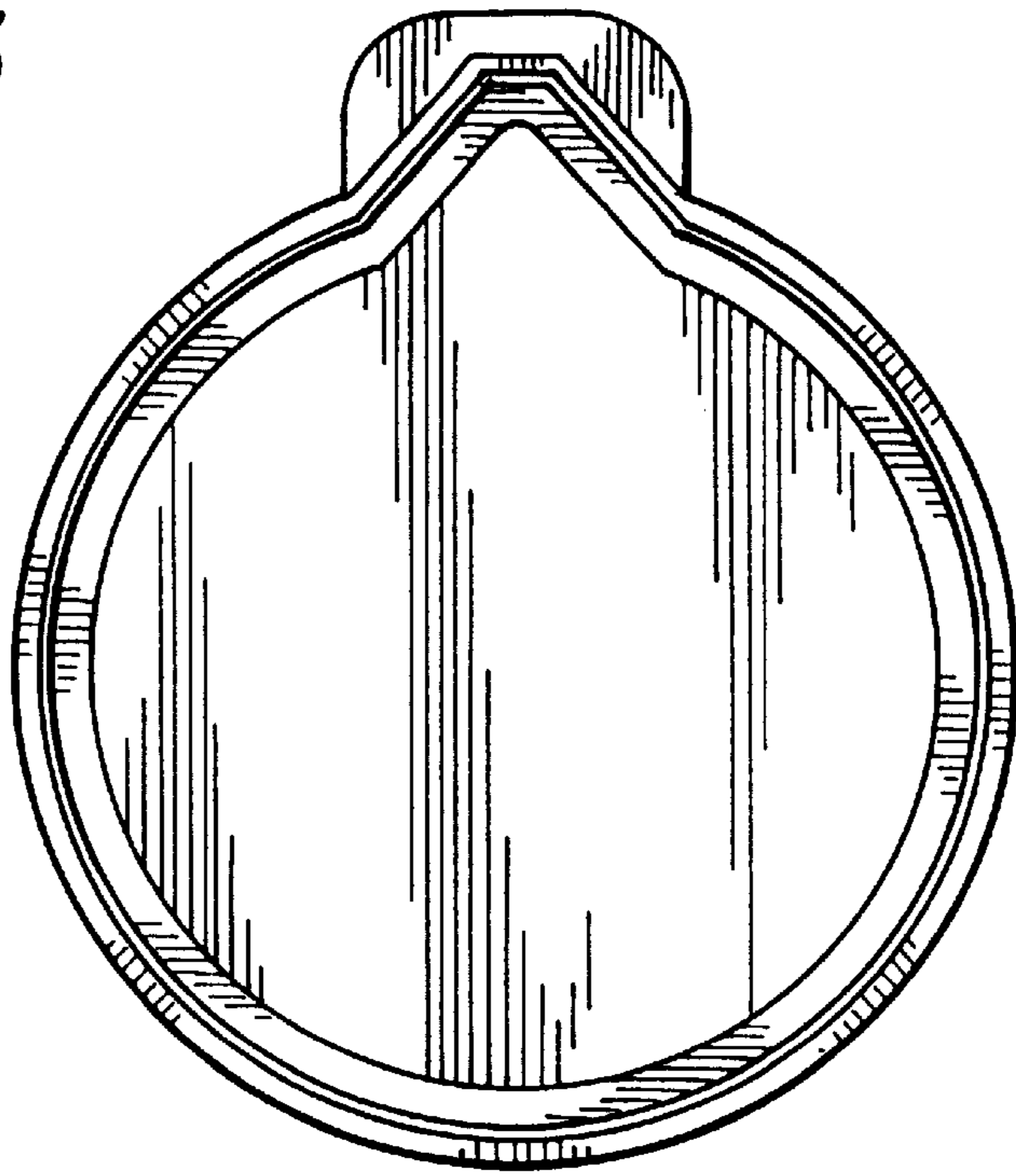


FIG. 4

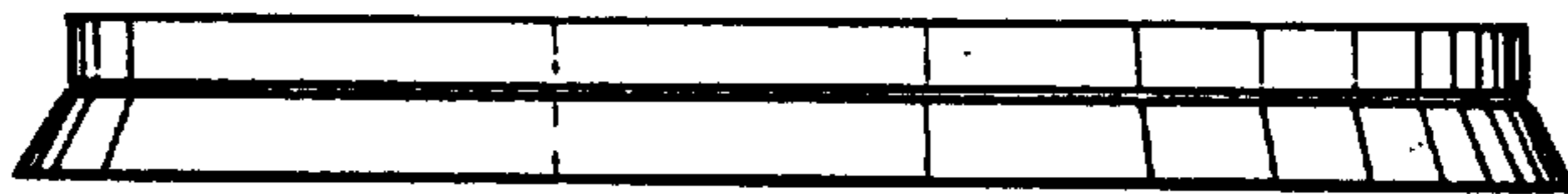


FIG. 5

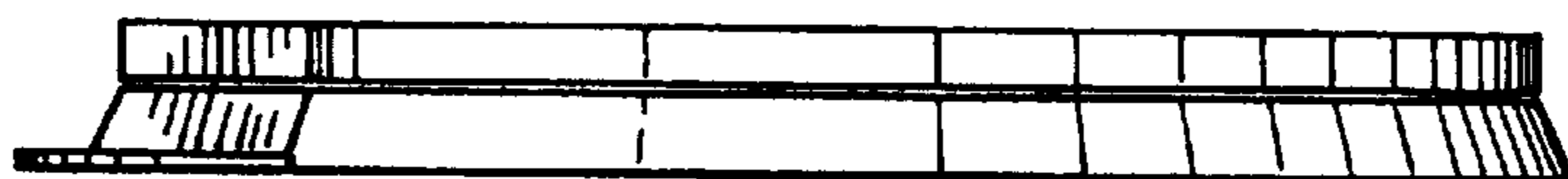


FIG. 6