



US00D418058S

**United States Patent** [19]  
**Chatterton et al.**

[11] **Patent Number: Des. 418,058**  
[45] **Date of Patent: \*\* Dec. 28, 1999**

- [54] **BOTTOM OF FOIL CONTAINER**
- [75] Inventors: **Chadd R. Chatterton**, Kenosha, Wis.;  
**Thomas J. Hayes**, Wauconda; **Michael J. A. Sagan**, Batavia, both of Ill.
- [73] Assignee: **Tenneco Packaging**, Evanston, Ill.
- [\*\*] Term: **14 Years**
- [21] Appl. No.: **29/076,314**
- [22] Filed: **Sep. 8, 1997**
- [51] **LOC (6) Cl.** ..... **09-07**
- [52] **U.S. Cl.** ..... **D9/434; D9/431; D7/359**
- [58] **Field of Search** ..... **D9/434, 414, 423, D9/424, 425, 432, 345; D7/359; 220/608, 623, 624, 637, 669; 229/407**

[56] **References Cited**

**U.S. PATENT DOCUMENTS**

D. 249,238	9/1978	Limon et al.	.....	D9/425
D. 287,809	1/1987	Alexander	.....	D7/359
D. 288,055	2/1987	Alexnader	.....	D7/354
D. 375,652	11/1996	Hayes	.....	D7/354
D. 392,884	3/1998	Hayes	.....	D9/431
4,167,233	9/1979	Hare	.....	220/72
4,616,762	10/1986	Alexander	.....	220/74
4,971,216	11/1990	Fortune	.....	220/94 R
5,029,721	7/1991	Timpe	.....	229/94 R
5,628,427	5/1997	Hayes	.....	220/669

**OTHER PUBLICATIONS**

- “Aluminum Foil Formed Products”, Penny Plate®, Inc., pp. 1–19, date unknown.
- “Stock Containers”, Penny Plate®, Inc., pp. 1–16, 1979.
- “1988 Food Service Packaging Aluminum and Plastics Specification Catalog”, Wilkinson pp. 1–42, 1988.
- “Chicago Metallic Food Service Foil Containers”, Chicago Metallic, 4 pages, date unknown.
- Chicago Metallic catalog, Chicago Metallic, Division of C.M. Products, 28 pages, Jul., 1990.
- “Bulkware Specifications Catalog”, HFA Inc., pp. 1–8, date unknown.
- “Reynolds Aluminum Containers, Trays & Lids”, Reynolds Metals Company, pp. 1–33, 1988.

- “Kaiser Packaging–Distributor Prices”, Kaiser Packaging, pp. 1–39, 1986.
- “Catalog of Food Service Products”, Kaiser Packaging, pp. 1–39, 1986.
- “Aluminum Foil Containers and Polystyrene Dome Covers”, Revere Foil Containers, pp. 1–16, date unknown.
- “Price Catalog No. 665”, Impax, pp. 1–20, Jun. 1, 1965.
- Alupla brochure, Cebal–Alupla, 4 pages, approx. 1975.
- “Glaco Packaging Products”, Glaco Packaging Products, pp. 1–10, date unknown .

(List continued on next page.)

*Primary Examiner*—Doris V. Coles  
*Assistant Examiner*—Cathron B. Matta  
*Attorney, Agent, or Firm*—Arnold White & Durkee

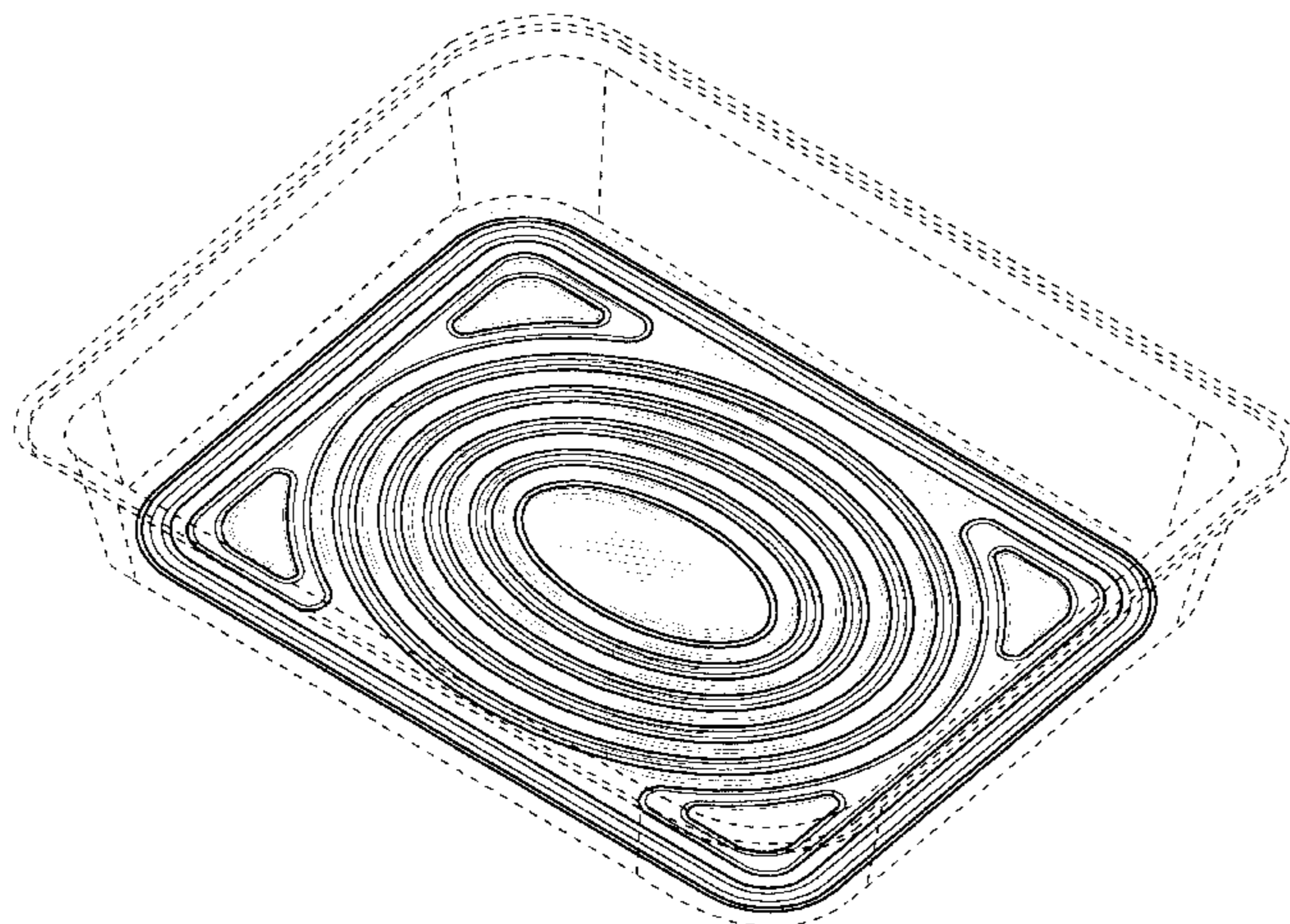
[57] **CLAIM**

The ornamental design for a bottom of a foil container, as shown and described.

**DESCRIPTION**

- FIG. 1 is an isometric view of a bottom of a foil container showing our new design;
  - FIG. 2 is a top plan view;
  - FIG. 3 is a bottom plan view;
  - FIG. 4 is a partial bottom plan view, shown at an enlarged scale;
  - FIG. 5 is a section, shown at a further enlarged scale taken generally along line 5—5 in FIG. 4;
  - FIG. 6 is a section, shown at a further enlarged scale taken generally along line 6—6 in FIG. 4;
  - FIG. 7 is a section, shown at a further enlarged scale taken generally along line 7—7 in FIG. 4; and,
  - FIG. 8 is a section, shown at a further enlarged scale taken generally along line 8—8 in FIG. 4.
- Portions of the container are shown in broken lines for illustrative purposes only and form no part of the claimed design.

**1 Claim, 8 Drawing Sheets**



OTHER PUBLICATIONS

“Carry Out Containers, Steam Tables & Roasters”, Kari-Out Company, 1 page, date unknown.

“Taste More Profits in Tart and Pie Plates”, Kaiser Aluminum, 6 pages, 1985.

“Kaiser Aluminum Puts More Profit in Your Cake Sales”, Kaiser Aluminum, 6 pages, 1985.

“Bigger Baking Profits Begin with Aluminum Pans”, Kaiser Aluminum, 6 pages, 1985.

ANACONDA catalog, ANACONDA Aluminum Company, 10 pages, 1981.

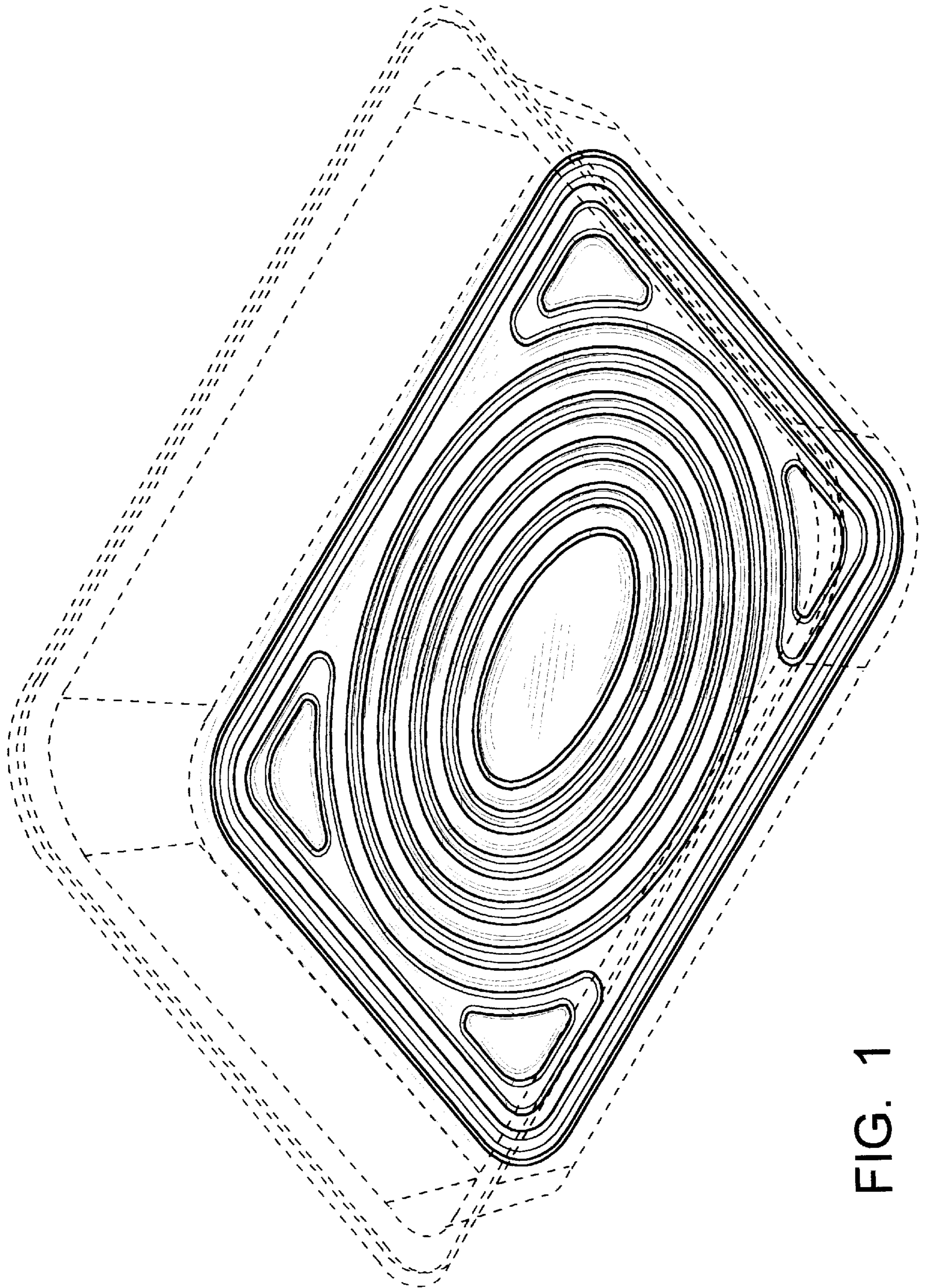


FIG. 1

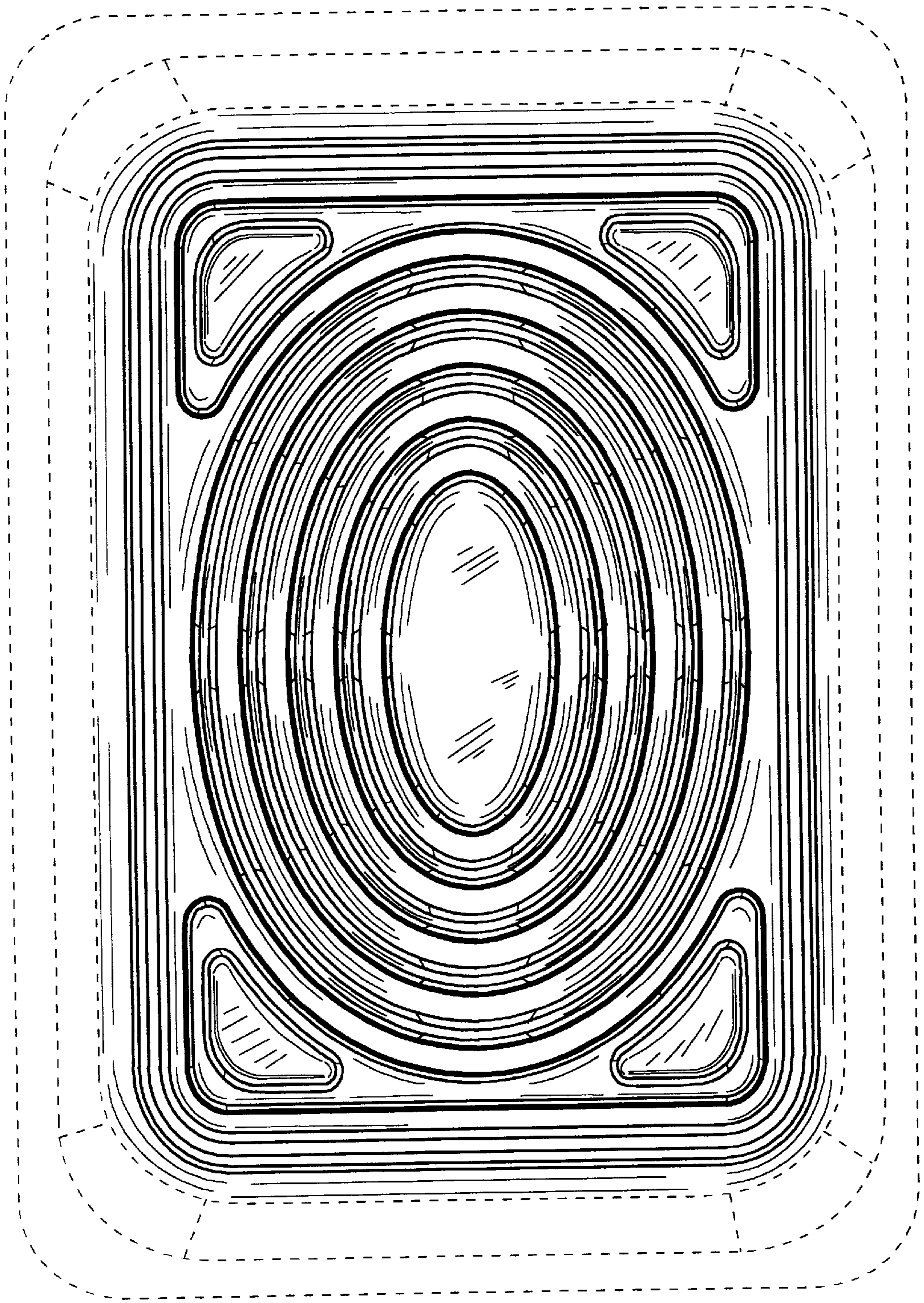


FIG. 2

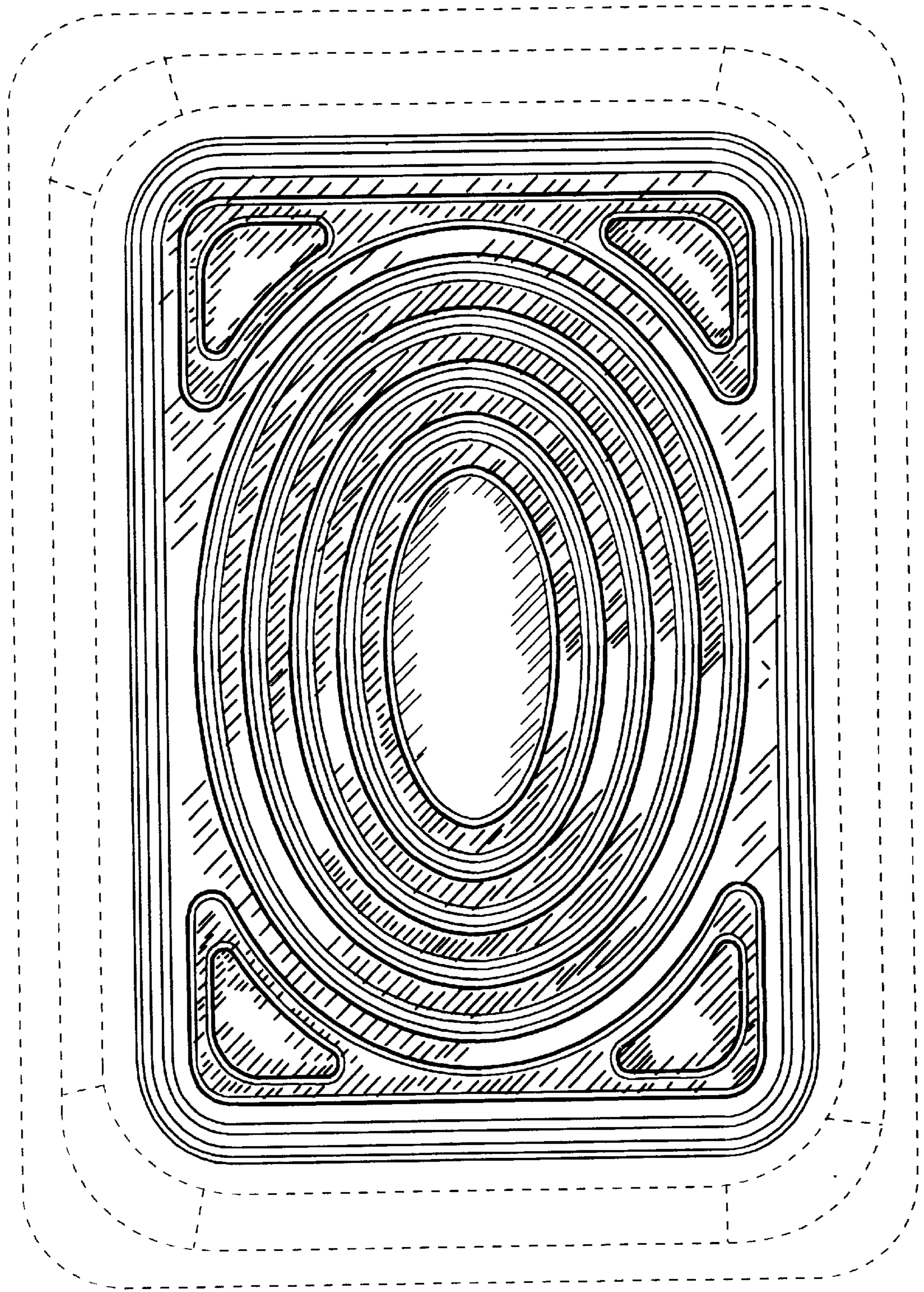


FIG. 3

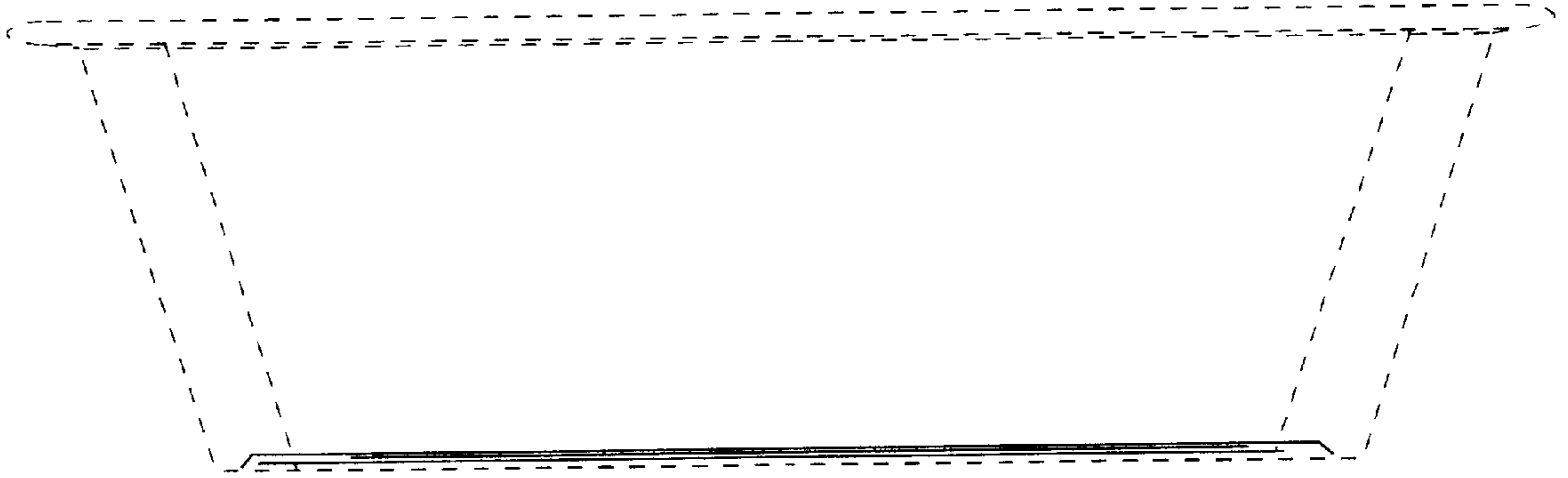


FIG. 4

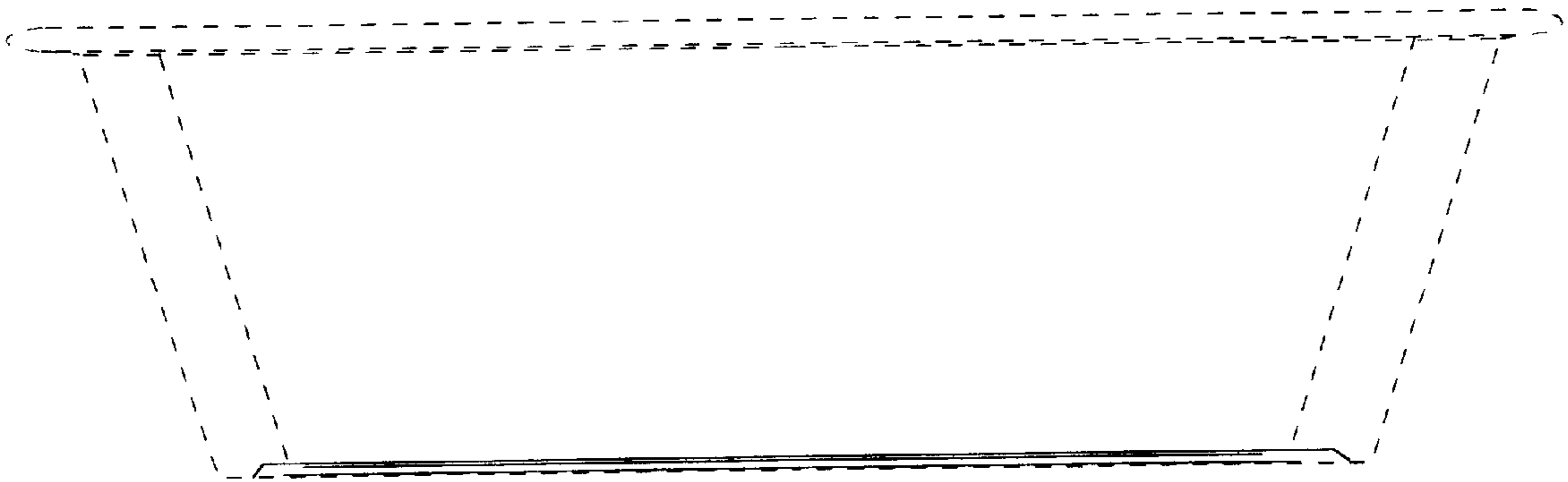


FIG. 5

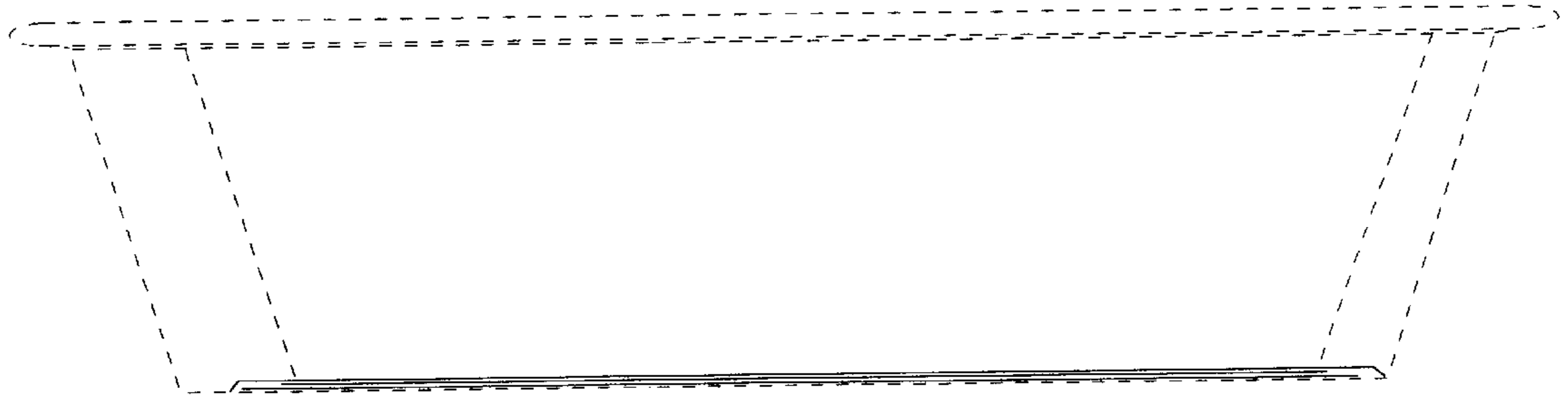


FIG. 6

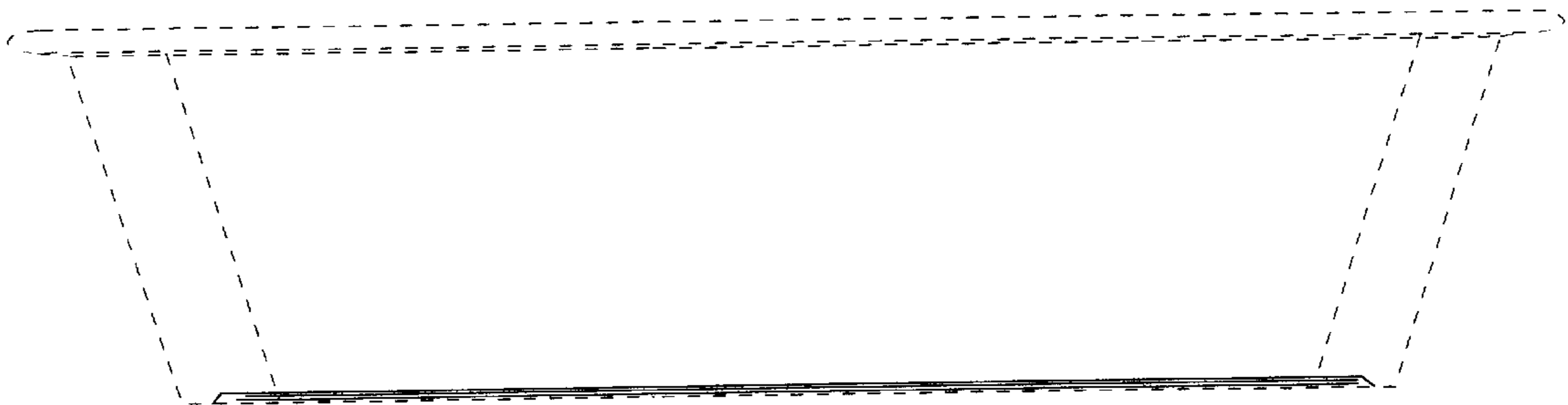


FIG. 7

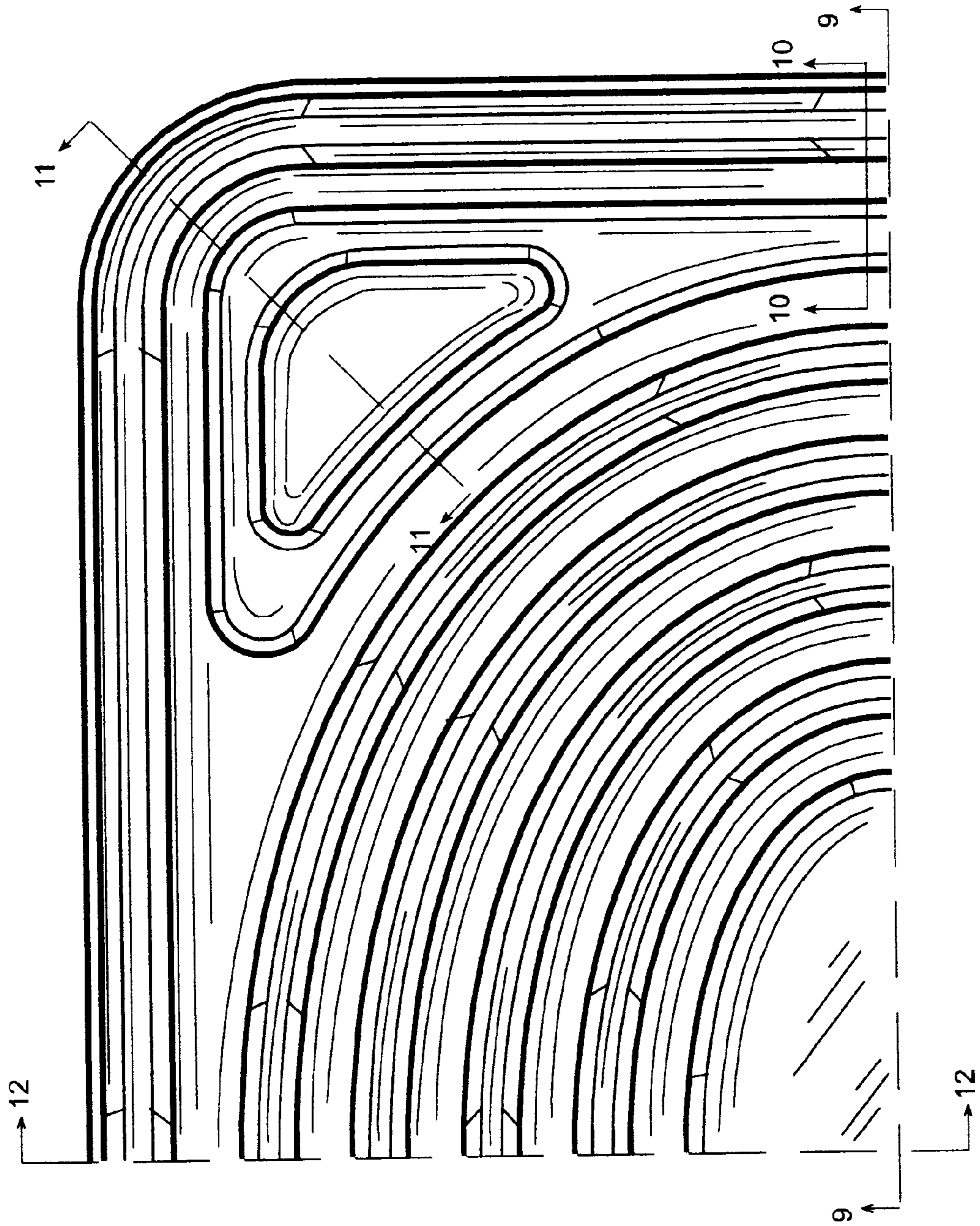


FIG. 8



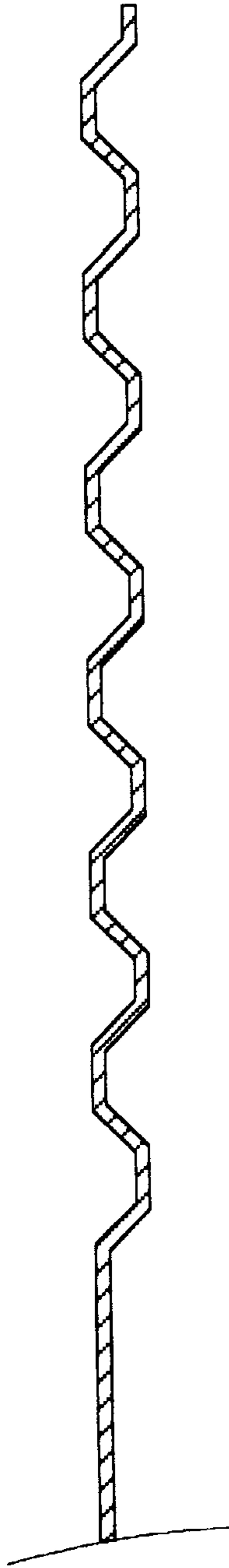


FIG. 9

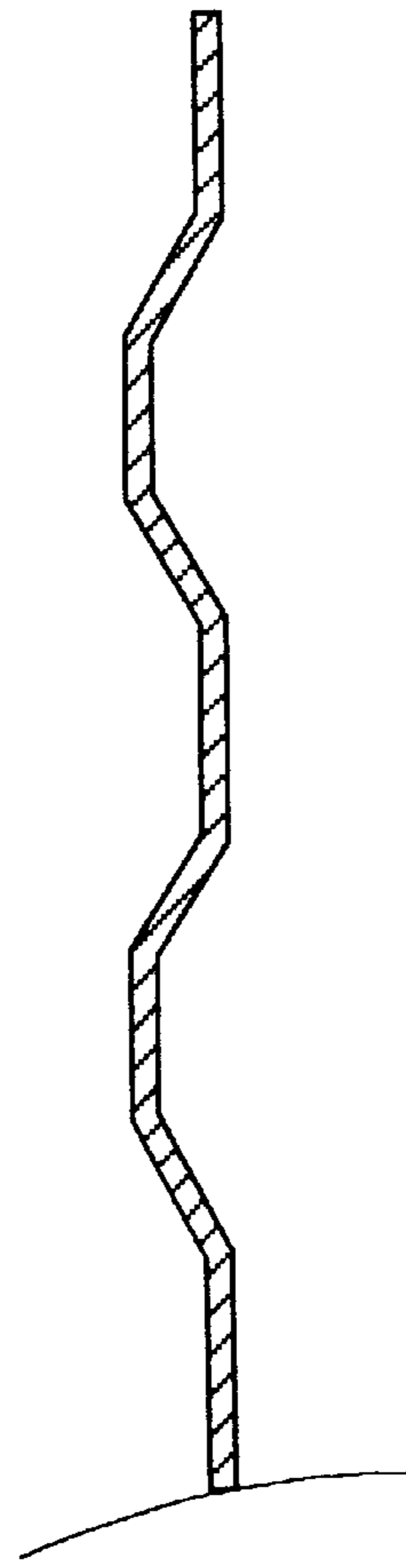


FIG. 10

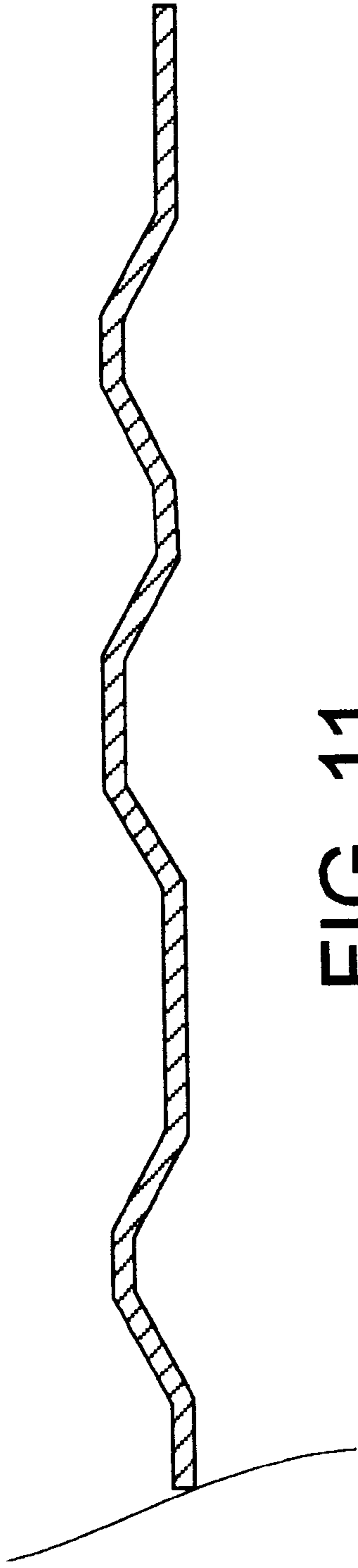


FIG. 11

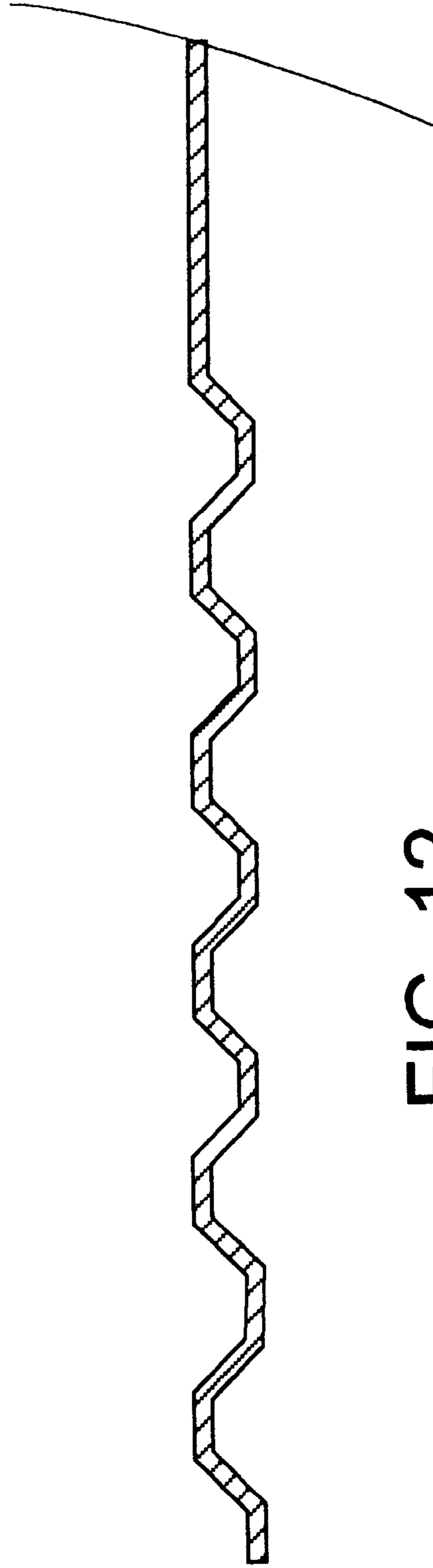


FIG. 12