



US00D418055S

United States Patent [19]

[11] Patent Number: **Des. 418,055**

Veto

[45] Date of Patent: **** Dec. 28, 1999**

[54] **STACKABLE CONTAINER**

[76] Inventor: **Jay Veto**, 5785 Sir Walter Scott #101,
Cote St. Luc, Que., Canada, H4W 1S4

[**] Term: **14 Years**

[21] Appl. No.: **29/066,278**

[22] Filed: **Feb. 10, 1997**

[51] **LOC (6) Cl.** **09-03**

[52] **U.S. Cl.** **D9/425; D9/341; D9/432**

[58] **Field of Search** D9/504, 341, 347,
D9/424, 425, 432; D7/629, 630, 701, 615,
602, 612, 614; D3/304, 313; 206/504, 503;
220/4.27; 229/182.1, 183

[56] **References Cited**

U.S. PATENT DOCUMENTS

D. 189,594	1/1961	Robinson	D9/425
D. 235,122	5/1975	Neri	D7/630
D. 241,600	9/1976	Ashton	220/4.27
D. 285,906	9/1986	Tyler	D9/425
D. 330,996	11/1992	Smith et al.	D7/629
D. 343,795	2/1994	Verchere	D9/425
D. 376,512	12/1996	Klemme	D7/629
D. 389,738	1/1998	Hlobil et al.	D7/602
879,865	2/1908	Godfery	229/182.1

2,396,346	3/1946	Roody, Jr.	D7/614
2,488,611	11/1949	Stallings	220/4.27
3,044,610	7/1962	Tupper	D7/629
3,122,990	3/1964	Fried	D7/630
3,623,634	11/1971	Norgard	D7/615
4,930,636	6/1990	Meadows	206/503

Primary Examiner—Lucy Lieberman

[57] **CLAIM**

The ornamental design for a stackable container, as shown and described.

DESCRIPTION

FIG. 1 is a perspective view of a stackable container, showing my new design;

FIG. 2 is a cross-sectional view thereof;

FIG. 3 is a perspective view showing many thereof;

FIG. 4 is a perspective view showing a second embodiment of FIG. 1;

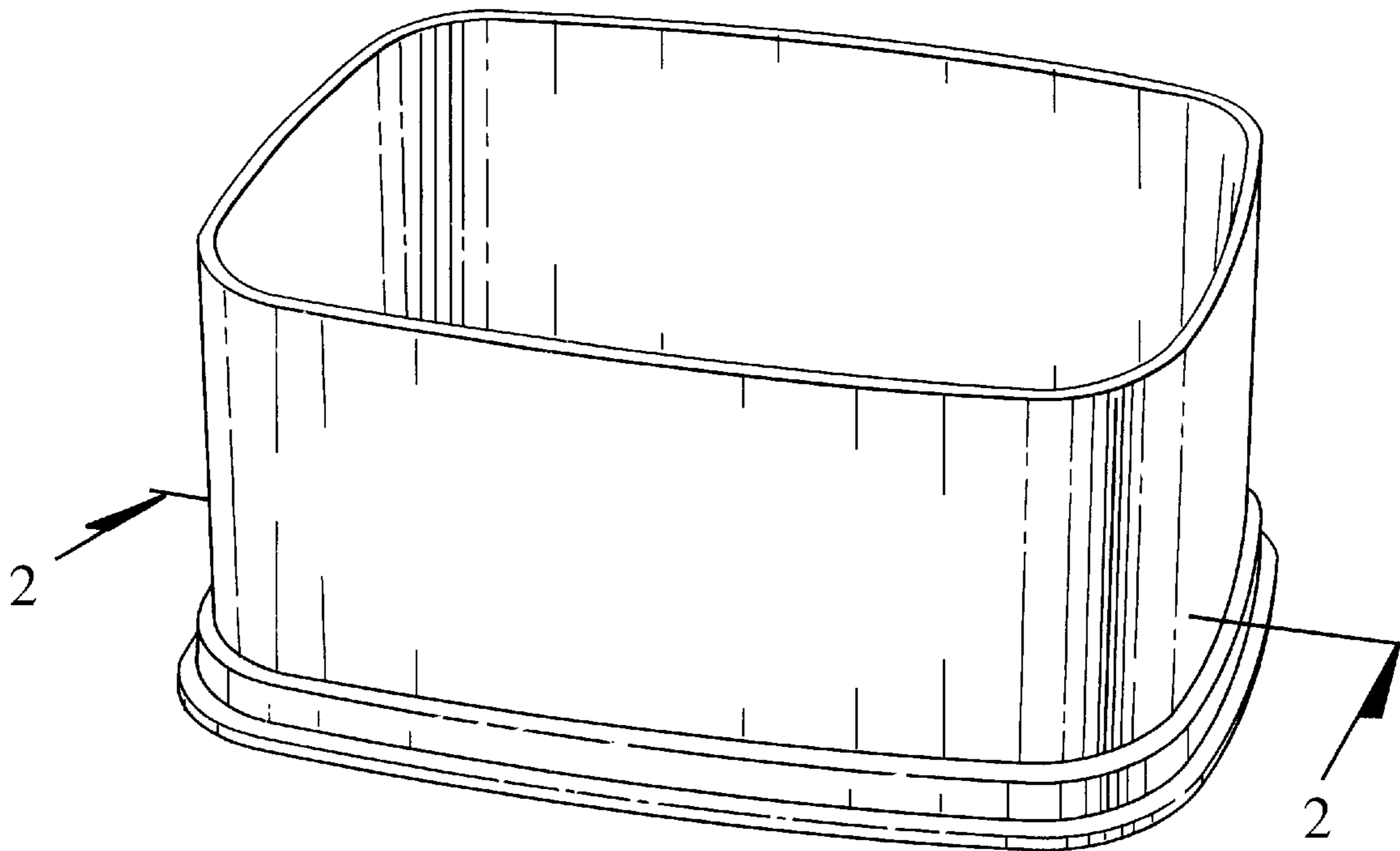
FIG. 5 is a cross-sectional view thereof; and,

FIG. 6 is a perspective view showing many thereof.

The portions of the stackable container that are not shown in the drawings do not form part of the claimed design.

The broken lines in the drawings are for illustrative purposes only, and do not form part of the claimed design.

1 Claim, 4 Drawing Sheets



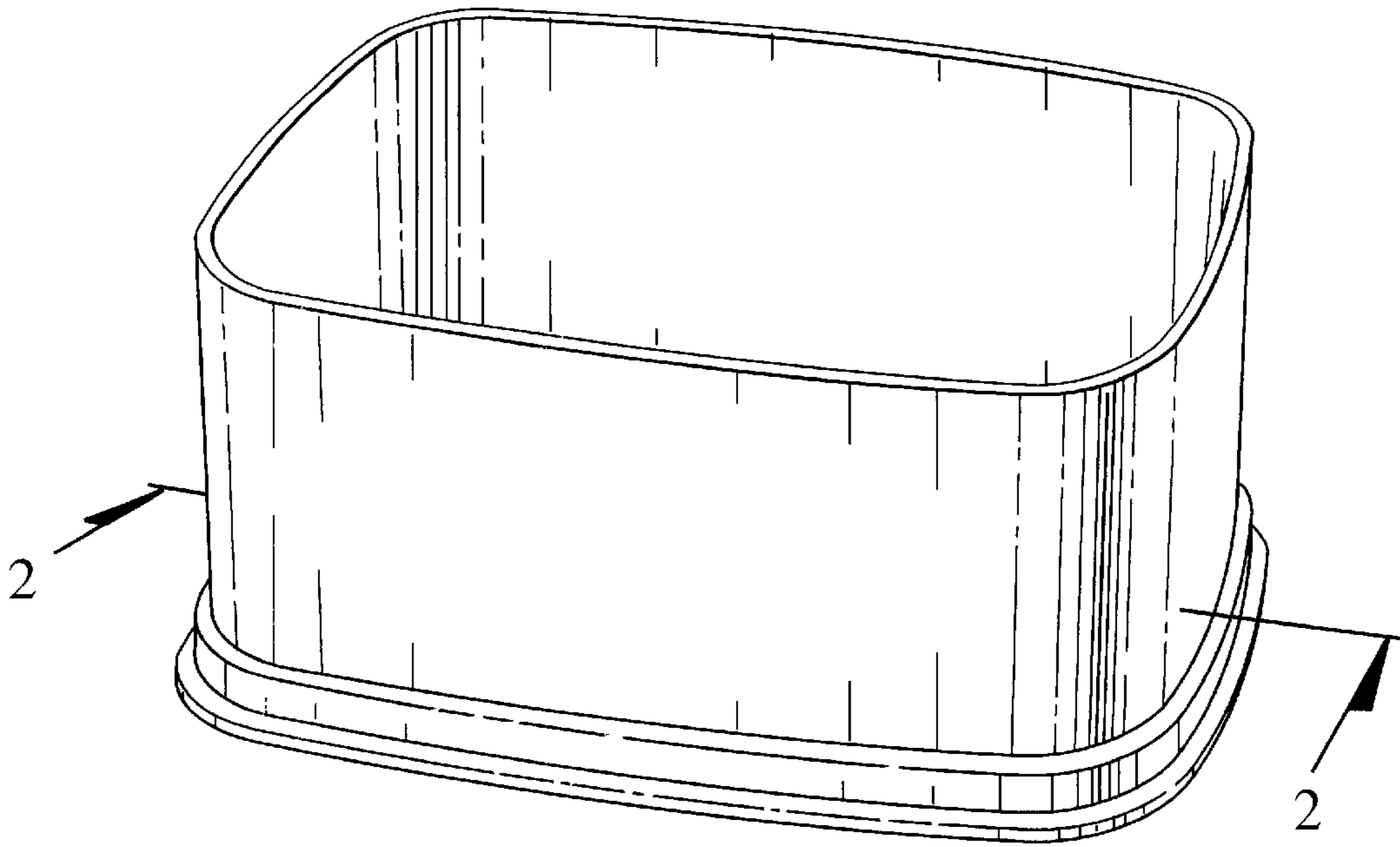


Fig. 1

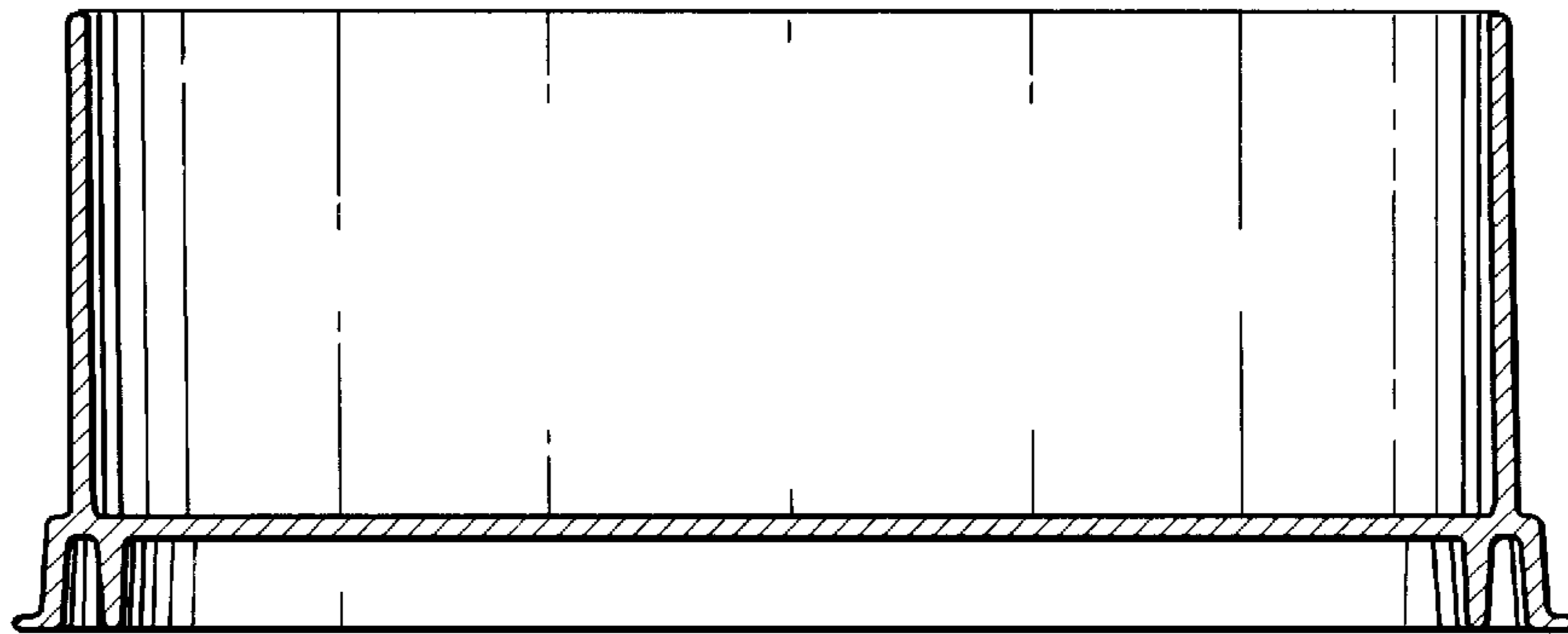


Fig. 2

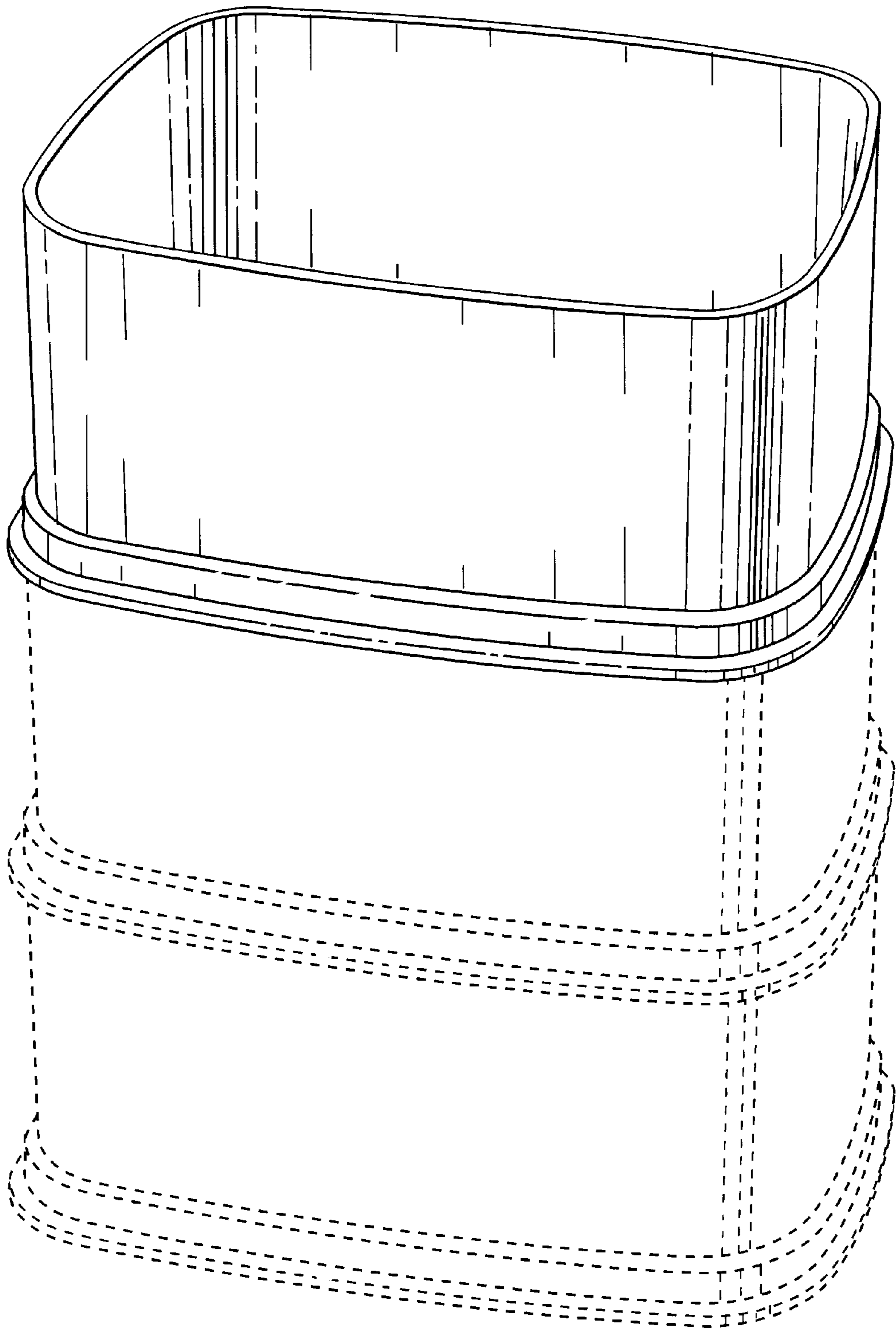


Fig.3

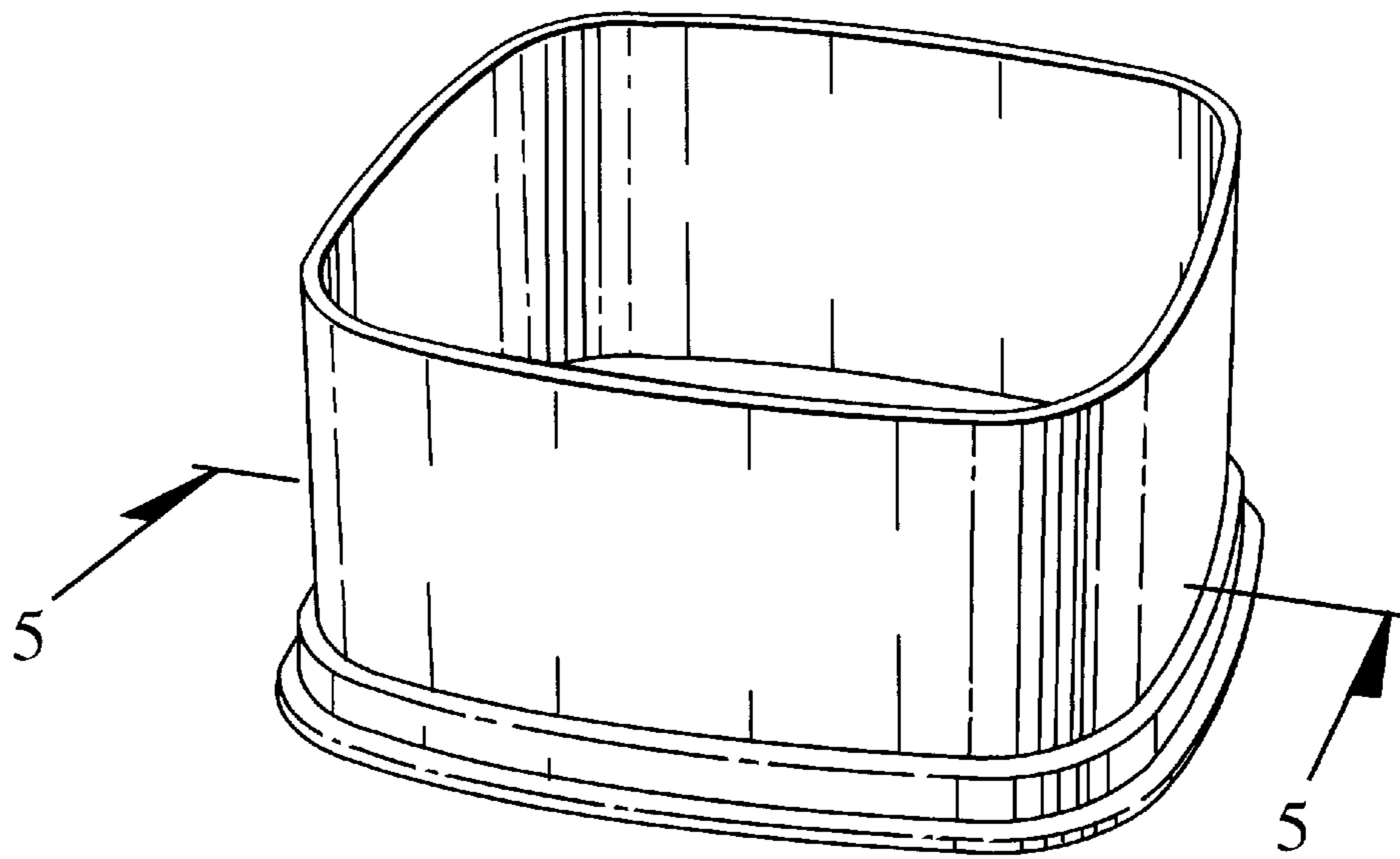


Fig. 4

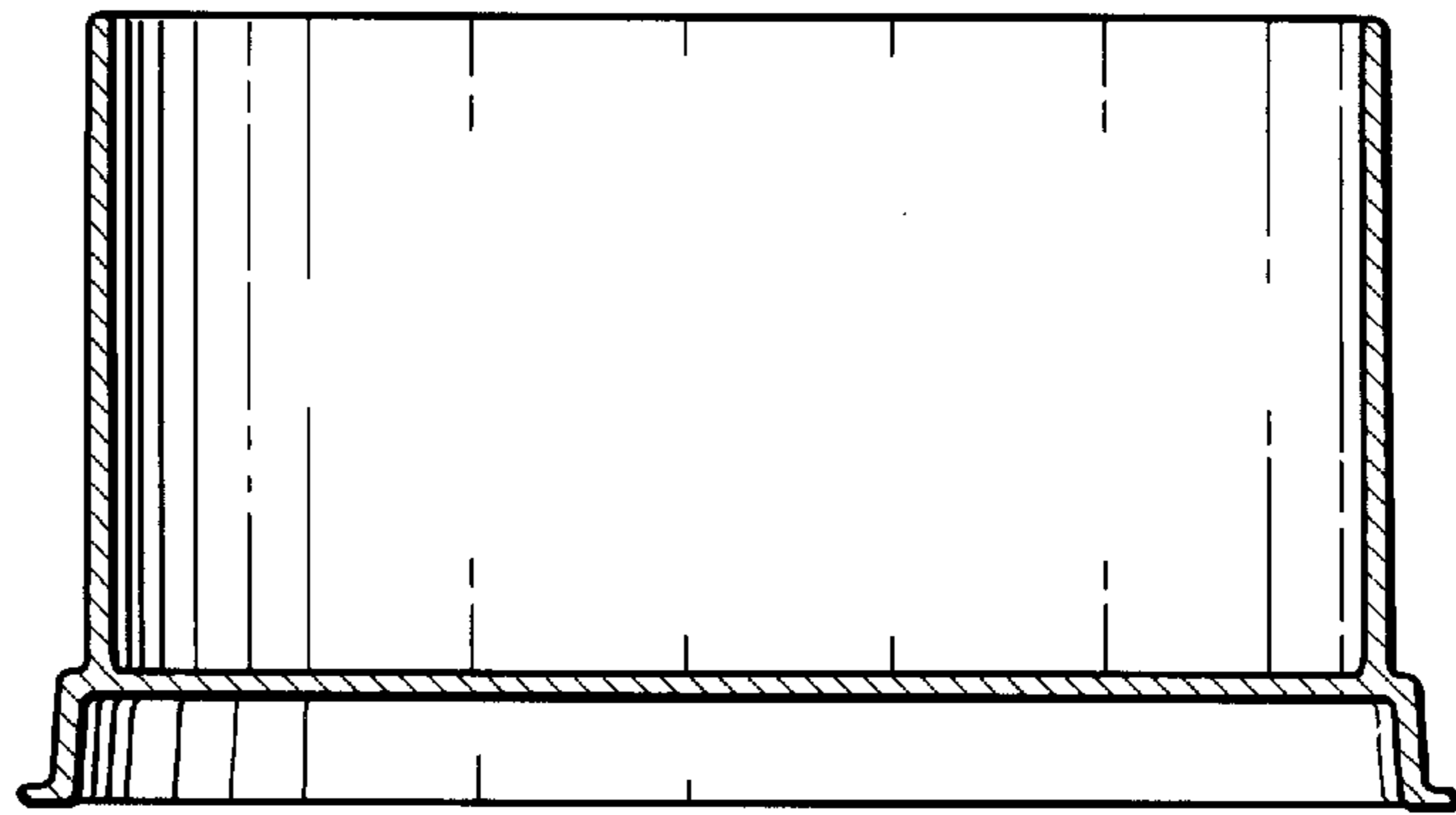


Fig. 5

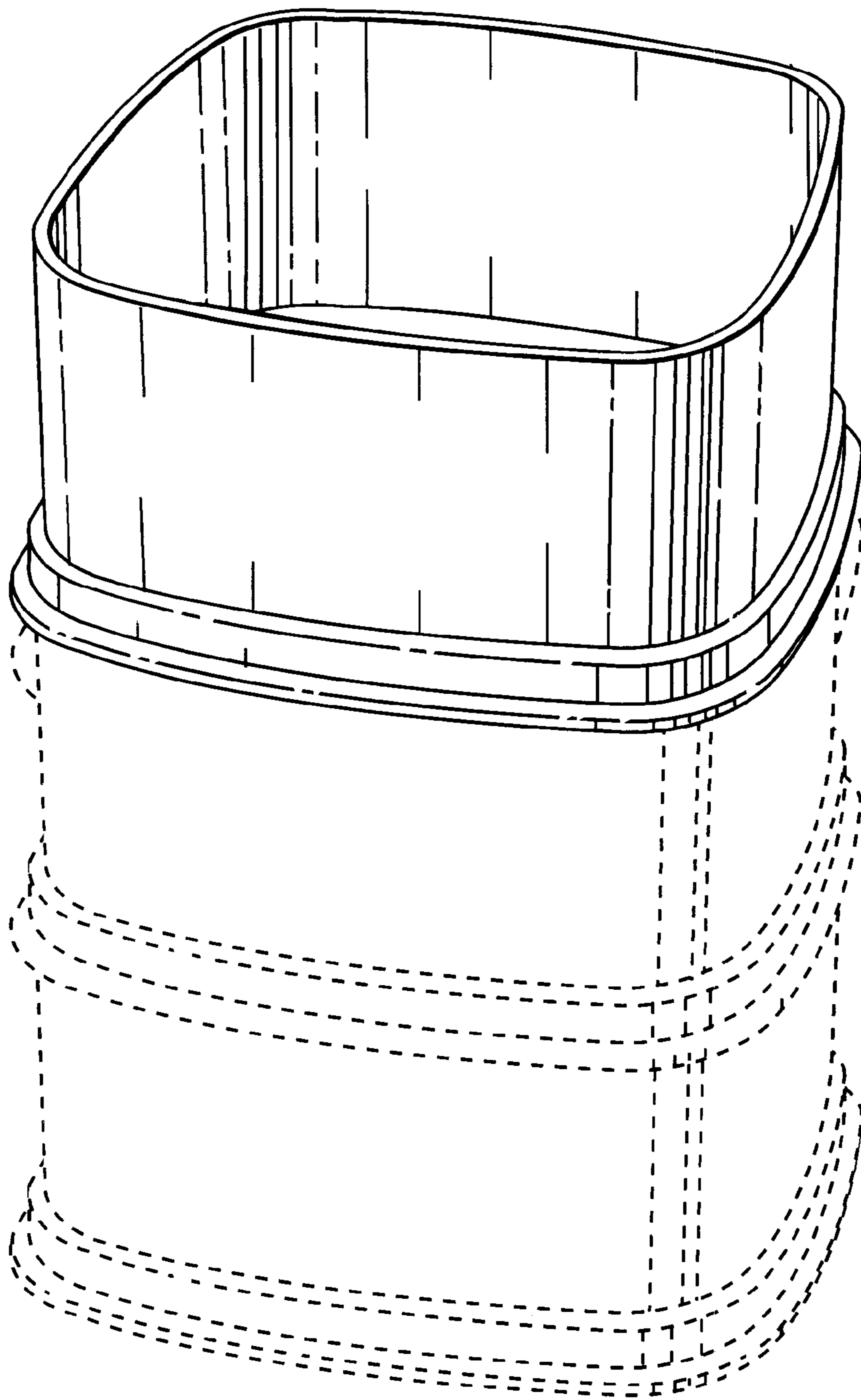


Fig.6