



US00D418052S

# United States Patent [19] Scrimger

[11] Patent Number: **Des. 418,052**

[45] Date of Patent: **\*\* Dec. 28, 1999**

[54] **CARTON HAVING A CORNER WINDOW**

[75] Inventor: **Michael T. Scrimger**, Kennesaw, Ga.

[73] Assignee: **The Mead Corporation**, Dayton, Ohio

[\*\*] Term: **14 Years**

[21] Appl. No.: **29/080,869**

[22] Filed: **Dec. 18, 1997**

[51] **LOC (6) Cl.** ..... **09-03**

[52] **U.S. Cl.** ..... **D9/346; D9/418**

[58] **Field of Search** ..... D9/418, 415, 432,  
D9/346, 345, 433; 206/168, 193, 194, 427,  
434, 833, 141; 229/162, 117.17, 117.18,  
117.15, 122; 220/DIG. 2, 906, 907

[56] **References Cited**

**U.S. PATENT DOCUMENTS**

D. 237,144	10/1975	Graser	.....	D9/416
D. 318,802	8/1991	Egide	.....	D9/418
D. 355,847	2/1995	Woolaway	.....	D9/346
D. 372,861	8/1996	Hoell et al.	.....	D9/418
D. 373,079	8/1996	Fahlen	.....	D9/346
D. 389,739	1/1998	Auclair	.....	D9/418 X
D. 391,835	3/1998	Auclair et al.	.....	D9/346
D. 395,007	6/1998	Miller et al.	.....	D9/433
D. 402,201	12/1998	Miller	.....	D9/431

4,403,689	9/1983	Wood	.....	206/158
4,890,737	1/1990	Kadleck et al.	.....	206/427
4,919,266	4/1990	McIntosh, Jr. et al.	.....	206/434
5,197,598	3/1993	Stout et al.	.....	206/141
5,332,130	7/1994	Spronk et al.	.....	229/122 X
5,505,304	4/1996	Broskow et al.	.....	206/427
5,518,110	5/1996	Harrelson	.....	206/427 X
5,542,539	8/1996	Early	.....	206/499
5,558,224	9/1996	Fogle	.....	206/427
5,704,470	1/1998	Sutherland	.....	206/427 X
5,772,030	6/1998	Baxter	.....	206/427 X
5,850,911	12/1998	Pakzad	.....	206/162 X

*Primary Examiner*—Prabhakar Deshmukh  
*Attorney, Agent, or Firm*—Tsugihiko Suzuki

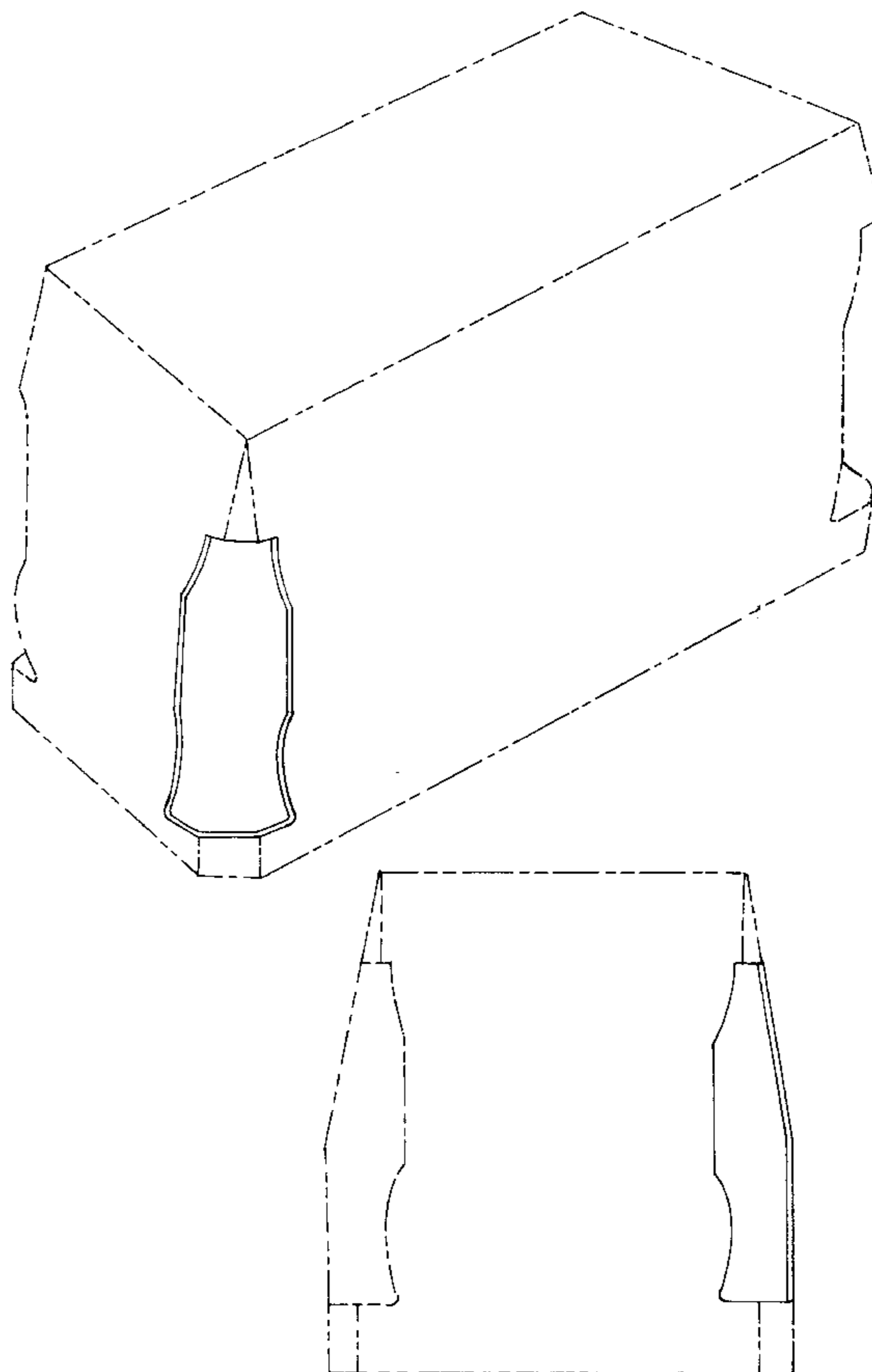
[57] **CLAIM**

The ornamental design for a carton having a corner window, as shown and described.

**DESCRIPTION**

FIG. 1 is an isometric view of a carton having a corner window, showing my new design; FIG. 2 is an end elevation thereof; FIG. 3 is a top plan view thereof; and, FIG. 4 is a side elevation thereof. The broken lines showing on FIGS. 1-4 are for illustrative purposes only and form no part of the claimed design.

**1 Claim, 2 Drawing Sheets**



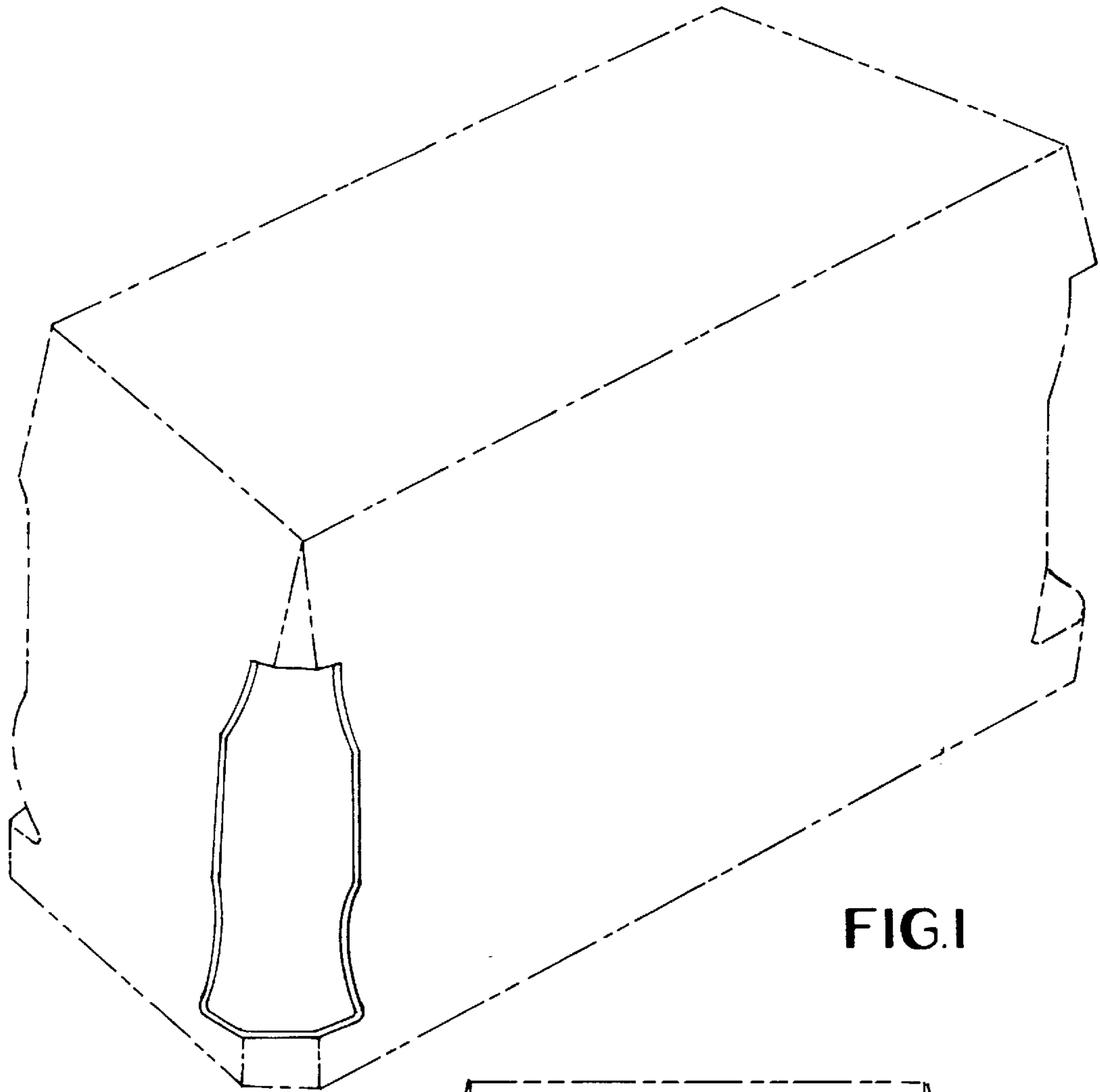
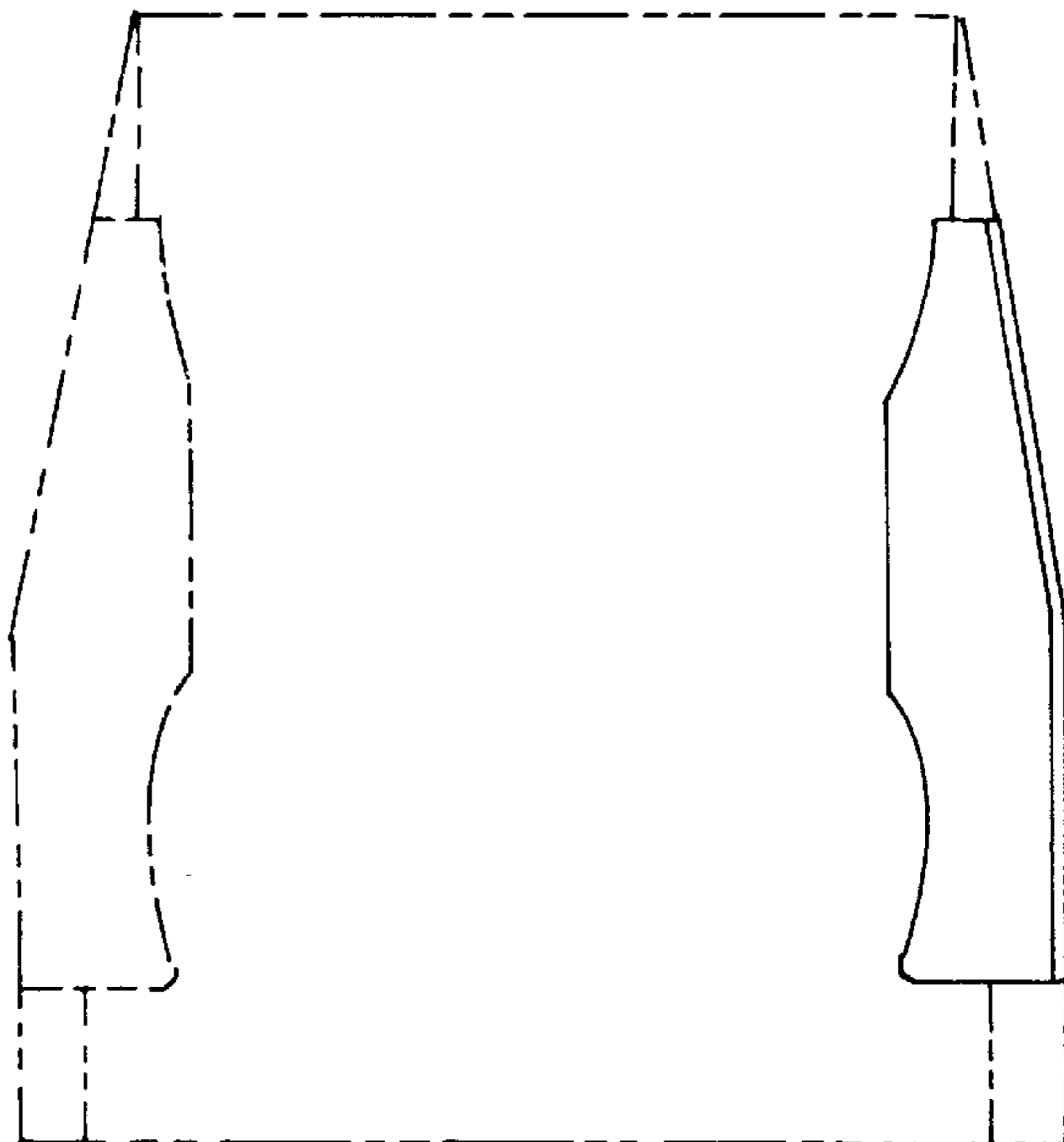


FIG. 2



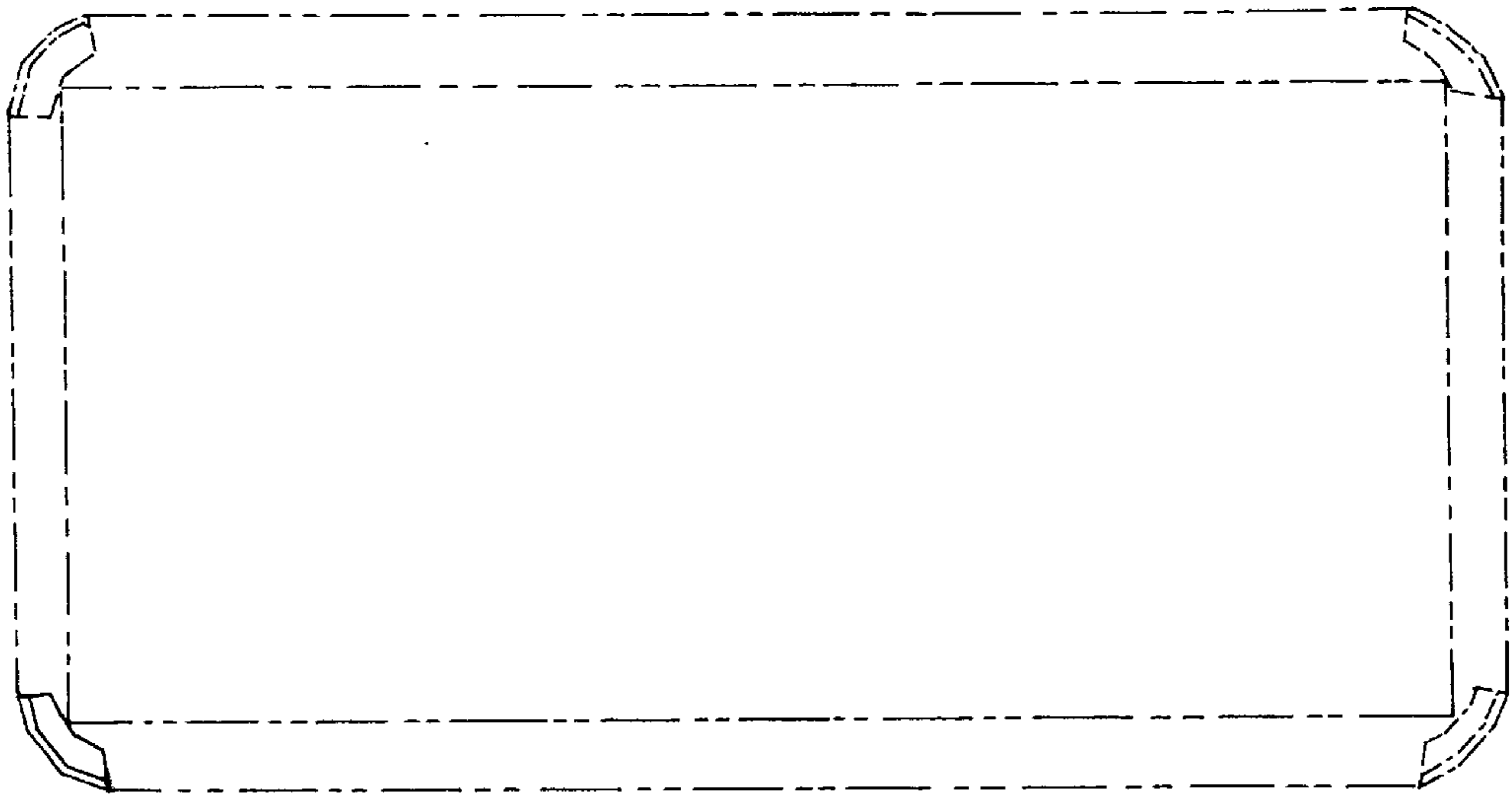


FIG. 3



FIG. 4